



VS manufaktur
licht + objekt

Collection 2025

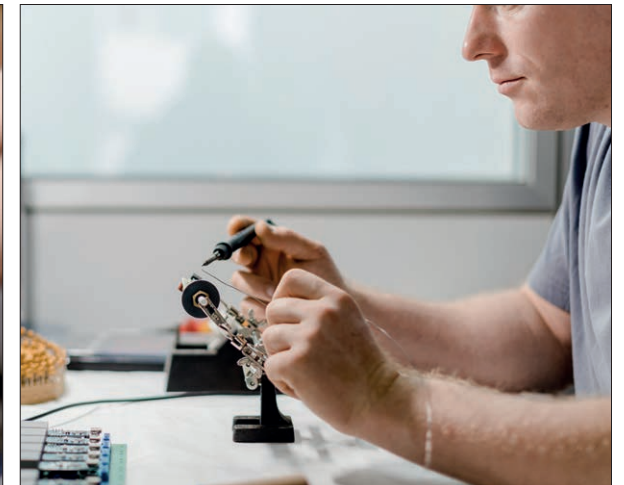
IN OUR HOUSE WE PRODUCE 2 LIGHTING COLLECTIONS.



The light fixtures of the **VS Manufaktur collection** display a combination of timeless, classic design and modern technical factors – including longevity, quality and stable value.

The classics of the well-known **Florian Schulz models** will continue to be manufactured in the usual quality and the design will remain the same. Technology and operation have been partially modernized.

**Our lights are produced by hand in the Swabian manufactory,
with a selected 10 person team of experienced craftsmen.**



Every light is almost a uniquely handcrafted product and designed for longevity.

Collection 2025

With immediate effect, only the models specified in this list are available.
The technical data in this price list shall apply exclusively.

Alphabetical index

	Page		Page		Page
ALEA	49	NOSTALGIA-T	34	TOPAN	37
ALIA	49	NOSTALGIA-W	47	VAO	53
BEO	50	OLA	58	VAYO	15
new 2024:		ONE 58	10	WED	51
BullEYE-DW	8 – 9	ONE 80	11	YON	28
BullEYE-S	21	ONOS 40	66 – 67	YON G	28
BullEYE-T	32 – 33	ONOS 55	64 – 65	YON T	39
CERVANTES	29	ORA	38		
DROP	22	OVA	12		
DUOS 36	60 – 61	OVETTE	13		
ELAS	41	P80	70 – 71		
ELAS S	41	PEN	72 – 73		
ERA	52	PIN d	25		
EREA	55	PIN T	43		
ESA	40	PIN W dim	46		
GEA	48	POSA 36	62 – 63		
GELA	59	SELA	57		
INAS	26	new 2025:			
INAS SD	26	SERPENTI	68 – 69		
LESAN M	27	SERPENTI-T	30 – 31		
LESAN S	27	SERPENTI-W	44 – 45		
LONEA	20	SOLA 80	56		
LONEA SD	20	STE	24		
MESA	14	TAOS	18		
MYOS	16	TAOS SD	19		
MYOS T	17	TAU	36		
NOSTALGIA-D	54	TOA	35		
NOSTALGIA-S	23	TOLED	42		

Collection

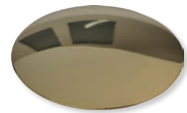
	Page
Spot:	8 – 9
Chandeliers:	10 – 14
Floorlamps:	15 – 20
Floor Reading Lamps:	21 – 29
Table Lamps:	30 – 43
Wall Lamps:	44 – 53
Ceiling Lamps:	54 – 59
Adjustable Pendant Lamps:	60 – 67
Pendant Lamps:	68 – 73

Information on base material, paintwork and care

Brass base material

Brass is a wrought copper alloy and consists of copper and zinc. We use brass with a zinc content of approx. 37%. (today: CuZn37, formerly: Ms63) This gives it its yellowish-golden colour.

The surface can be polished, matt-finished or burnished. Tarnish protection is guaranteed for 1-2 years with Zapon lacquer. We are supplied with brass plates, brass tubes and solid brass as the base material. We then process this from the first saw cut to the finished luminaire, everything in our manufactory in one house.



Ms – Polished brass, lacquered

The surface is highly polished and lacquered with Zapon lacquer. The Zapon lacquer can

only be dusted off. If a stain caused by midges or similar needs to be removed, rub carefully and lightly with a slightly moistened cotton cloth only on this spot. The Zapon lacquer can be rubbed through if too much pressure is applied. On request, we can also seal the lights with 2K lacquer for an additional charge.



Cr - Bright chrome-plated brass

- our most durable surface
The surface is highly polished and galvanically nickel-plated,

then chrome-plated. The appearance is blue-silver. A very insensitive surface that does not tarnish or oxidise. It can easily be cleaned with washing-up liquid. A normal polish for brass/chrome can also be used. Please only use a normal cotton cloth.



Bd - Messing dark-bronzed, lacquered

The surface is matt brushed and then burnished. Burnishing brass is a traditional process. The brass is first heavily pre-rubbed with pumice powder (ground lava stone), rinsed with water and coloured with an alternating bath of lye and acid. The actual 'tan' sits under the tarnish layer and is rubbed out again. The process is repeated again to achieve a darker

surface. Everything is then cleaned and painted with Zapon lacquer. The surface darkens over time. Soldered joints with silver solder are visible as the silver does not take on any colour. With the darker colouring, the silver solder joints are more visible than with normal burnishing. The Zapon lacquer can only be dusted off. If a stain caused by midges or similar needs to be removed, rub carefully and lightly with a slightly moistened cotton cloth only on this spot. The Zapon lacquer can be rubbed through if too much pressure is applied. On request, we can also seal the lights with 2K lacquer for an additional charge.

Zapon lacquer

The zapon lacquer consists mainly of collodion wool, which is a natural cellulose nitrate. Our zapon varnish is colourless and is used exclusively for oxidation protection (tarnish protection).

The collodion wool decomposes over time and the polished or matt surface darkens evenly. Under no circumstances should the Zapon lacquer be rubbed off! This will damage the structure of the lacquer and the surface becomes cloudy and blotchy. The acidity of hand perspiration or hand creams can cause the lacquer to darken may tarnish dark to black in the areas touched.

Zapon lacquer is the only lacquer that forms a clean bond with brass, copper and chrome.



Mt - Brushed matt brass, lacquered

The surface is matt brushed and lacquered with Zapon lacquer. The Zapon lacquer can only be

dusted off. If a stain caused by midges or similar needs to be removed, rub carefully and lightly with a slightly moistened cotton cloth only on this spot. The Zapon lacquer can be rubbed through if too much pressure is applied. On request, we can also seal the lights with 2K lacquer for an additional charge.



Cu - Copper-plated, lacquered

The surface is highly polished and then copper-plated. The surface is varnished with Zapon

lacquer to protect against tarnishing. The Zapon lacquer can only be dusted off. If a stain caused by midges or similar needs to be removed, rub carefully and lightly with a slightly moistened cotton cloth only on this spot. The Zapon lacquer can be rubbed through if too much pressure is applied. On request, we can also seal the lights with 2K lacquer for an additional charge.



Ni - Bright nickel-plated brass

The surface is highly polished and galvanically nickel-plated. After chrome, nickel is the

hardest naturally occurring metal. Nickel is not tarnish-resistant and forms an oxide layer over time. The colour is yellow-silver, similar to Sterling silver, a soft silver shade. This can be polished up again with standard polish for brass/chrome. On request, we can also protect the nickel-plated surface with zapon lacquer against tarnishing.



Cm - Messing copper-plated, matt brushed, lacquered

The surface is highly polished and then copper-plated. In a further

work step, the surface is matt brushed. The surface is coated with Zapon lacquer to protect against tarnishing. The Zapon lacquer can only be dusted off. If a stain caused by midges or similar needs to be removed, rub carefully and lightly with a slightly moistened cotton cloth only on this spot. The Zapon lacquer can be rubbed through if too much pressure is applied. On request, we can also seal the lights with 2K lacquer for an additional charge.



individually according to RAL card

On request, we can paint all luminaires according to the RAL colour chart. Glossy or matt

colours can be selected according to the living situation. Whether RAL 6009 fir green or RAL 3015 light pink in matt or glossy does not matter to us. The surfaces are treated with a 2K lacquer. This makes them very robust and resistant to external influences. The prices are listed separately for each model.

2K lacquering transparent

A 2-component lacquer consists of lacquer and hardener (automotive lacquer). The robust and resistant surface also seals the brass from long-term tarnishing. Adhesion to polished brass, copper or nickel is not possible without precise pre-treatment. Even skilled painters have problems with this. We have developed a solution and can now offer this. The prices are the same as the RAL prices. Surfaces can be painted glossy or matt. Light scratches can be easily removed with a polish and a cotton cloth.



Nm - Nickel-plated brass, matt brushed

The surface is highly polished and galvanically nickel-plated. After nickel plating, the surface

is matt brushed in a further work step. Nickel is not tarnish-resistant and forms an oxide layer over time. The surface structure can only be cleaned with glass cleaner and a microfibre cloth. Polishing is not recommended, otherwise shiny spots may appear. On request and for an additional charge, we can also protect the surface with zapon varnish against tarnishing.



Br - Messing bronzed, lacquered

The surface is matt brushed and then burnished. Burnishing brass is a traditional process.

The brass is first heavily pre-rubbed with pumice powder (ground lava stone), rinsed with water and coloured with an alternating bath of lye and acid. The actual 'tan' sits under the tarnish layer and is rubbed out again, then cleaned and painted with Zapon lacquer. The surface darkens over time. Joints with silver solder are visible as the silver does not take on any colour. The Zapon lacquer can only be dusted off. If a stain caused by midges or similar needs to be removed, rub carefully and lightly with a slightly moistened cotton cloth only on this spot. The Zapon lacquer can be rubbed through if too much pressure is applied. On request, we can also seal the lights with 2K lacquer for an additional charge.

Refurbishment & special finishes

If your lamp no longer appears in its usual shine, it is possible to have it refurbished by us.

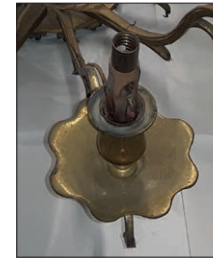
Restorations in the event of damage are also possible.

When refinishing, you can decide again whether the old surface should be restored or whether you would like a new surface or a paint finish according to the RAL card.

Insight into our workshop



before



afterwards



Prices for non-standard finishes

In addition to the metal finishes quoted in this price list, special finishes are available for most models:

Mp – Solid brass polished, unlacquered and **Ni-lack – Solid brass nickel-plated, lacquered**

The surcharge is 10%*, calculated on the basic price of brass (– Ms) or nickel (– Ni):

* Prices can vary depending on model and technical feasibility. Delivery times on request.

Note: The special surfaces „Mp – Solid brass polished, unlacquered“ and „Ni-lack – Solid brass, nickel-plated, lacquered“ visually look the same, such as „Ms – Solid brass polished, lacquered“ and „Ni – Solid brass, nickel-plated“.



Mp – Brass polished, unlacquered:

The surface is highly polished and untreated. Over time, a brownish patina develops, which can be polished up again with standard metal polish. We recommend using a soft cotton cloth for polishing. Please do not use microfibre as this will cause scratches.

Introducing our
NEW SERIES SERPENTI



SERPENTI
Page 68 – 69

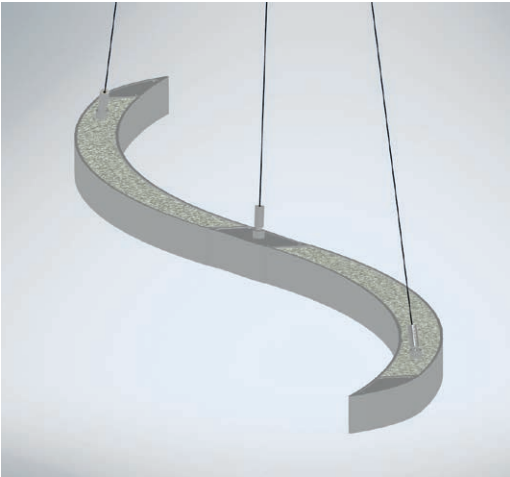


SERPENTI-T
Page 30 – 31



SERPENTI-W
Page 44 – 45

Preview Summer 2025

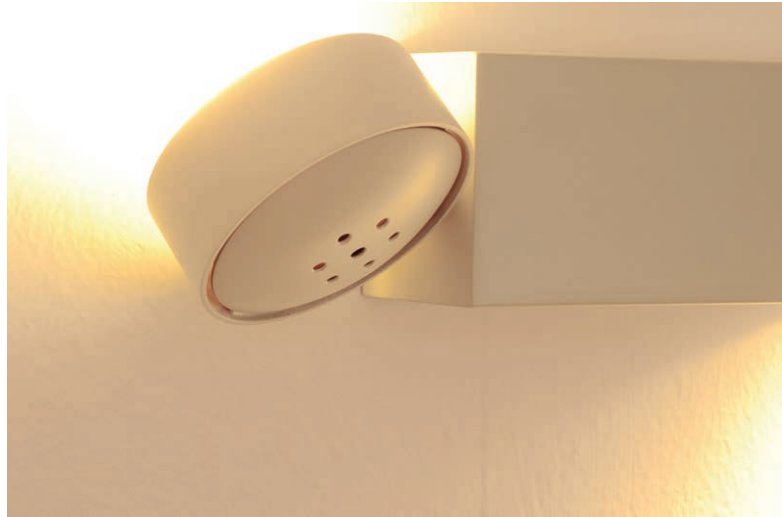
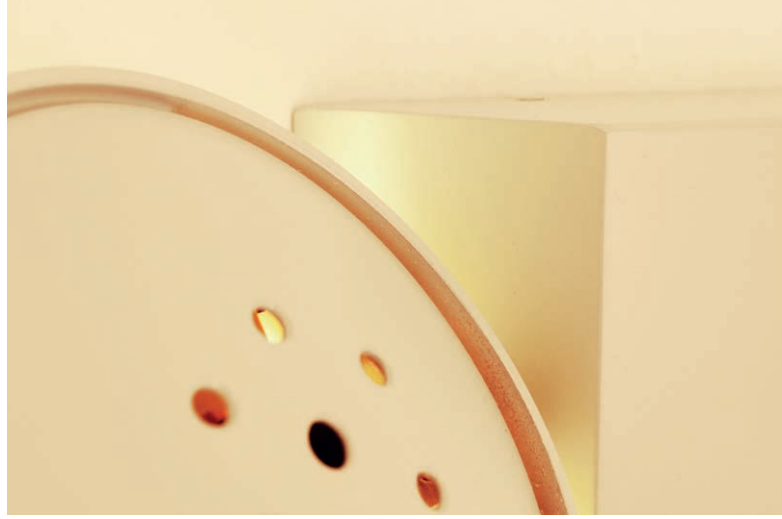
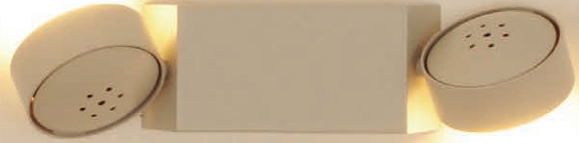


SERPENTI-DUO



SERPENTI-B

Design meets here with functionality, usefulness and competent craftsmanship.



Special finish shown: matt grey.

BulLEYE-DW

Ceiling and wall spotlights

Designed by: Jens Schump

L x W x H: 32 x 7 x 9 cm (12.6" x 2.8" x 3.5")

Shade: rotatable, Ø 8 cm (3.1")

Lampholder: Osram CoB-LED, 8,7 W, 1000 Lumen
2700 °K, dimmable

Color rendering: > 90 Ra

Dimmer: on site via leading or trailing edge

Base material: brass

BulLEYE-DW – Ms polished, lacquered

BulLEYE-DW – Mt matt brushed, lacquered

BulLEYE-DW – Ni nickel-plated

BulLEYE-DW – Nm nickel-plated, matt brushed

BulLEYE-DW – Cr chrome-plated

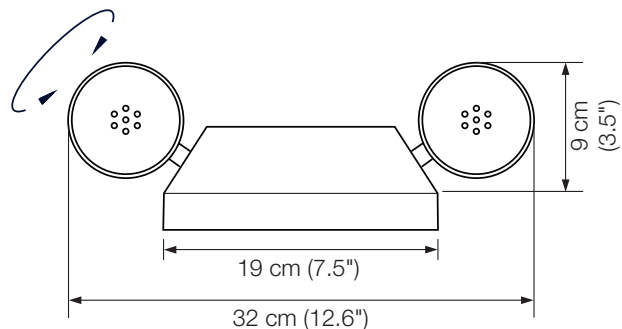
BulLEYE-DW – Cu copper-plated, lacquered

BulLEYE-DW – Cm copper-plated, matt brushed, lacquered

BulLEYE-DW – Br bronzed, lacquered

BulLEYE-DW – Bd dark-bronzed, lacquered

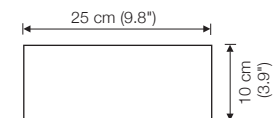
BulLEYE-DW – RAL individually according to RAL card



Additional USA 110 V conversion kit available on request

4" junction box: not covered

Backplate rectangular 25 x 10 cm (9.8" x 3.9") standard
or 25 x 12 cm (9.8" x 4.7") - please indicate with order





ONE 58

LED chandelier

Designed by: Florian Schulz + Jens Schump

Height: adjustable 0.5 to 2 m (16.69" to 78.74") (standard)*

Ø Ring: 58 cm (22.8")

Ø Canopy: 25 cm (9.8")

Bulb: LED strip (22,5 W) with diffuser,
approx. 3660 Lumen

Color temperature: warmwhite 2700 K

Color rendering: > 96 Ra

Dimmer: 110 Volt/USA: not dimmable

Base material: brass

ONE 58 – Ms polished, lacquered

ONE 58 – Mt matt brushed, lacquered

ONE 58 – Ni nickel-plated

ONE 58 – Nm nickel-plated, matt brushed

ONE 58 – Cr chrome-plated

ONE 58 – Cu copper-plated, lacquered

ONE 58 – Cm copper-plated, matt brushed, lacquered

ONE 58 – Br bronzed, lacquered

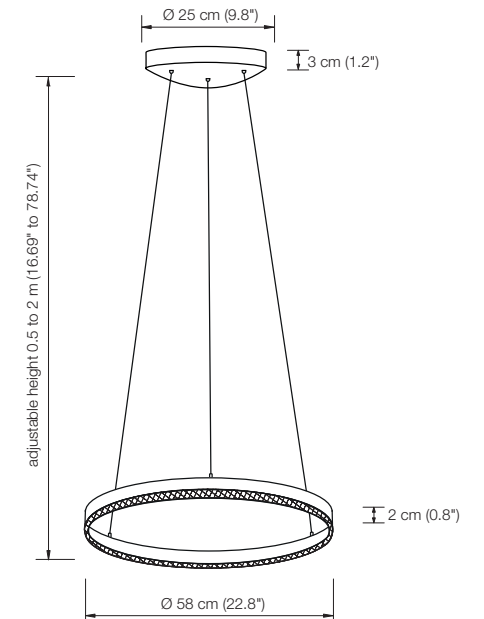
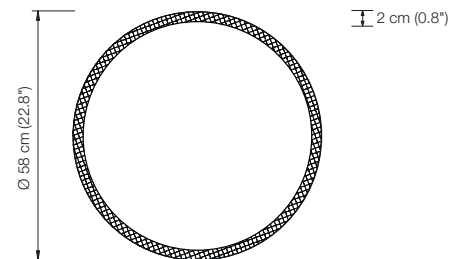
ONE 58 – Bd dark-bronzed, lacquered

ONE 58 – RAL individually according to RAL card

Additional USA 110 V conversion kit available on request

4" junction box: covered

* Other heights: available on request.



ONE 80

LED chandelier

Designed by: Florian Schulz + Jens Schump

Height: adjustable 0.5 to 2 m (16.69" to 78.74") (standard)*

Ø Ring: 80 cm (31.5")

Ø Canopy: 25 cm (9.8")

Bulb: LED strip (31,5 W) with diffuser, approx. 5120 Lumen

Color temperature: warmwhite 2700 K

Color rendering: > 96 Ra

Dimmer: 110 Volt/USA: not dimmable

Base material: brass

ONE 80 – Ms polished, lacquered

ONE 80 – Mt matt brushed, lacquered

ONE 80 – Ni nickel-plated

ONE 80 – Nm nickel-plated, matt brushed

ONE 80 – Cr chrome-plated

ONE 80 – Cu copper-plated, lacquered

ONE 80 – Cm copper-plated, matt brushed, lacquered

ONE 80 – Br bronzed, lacquered

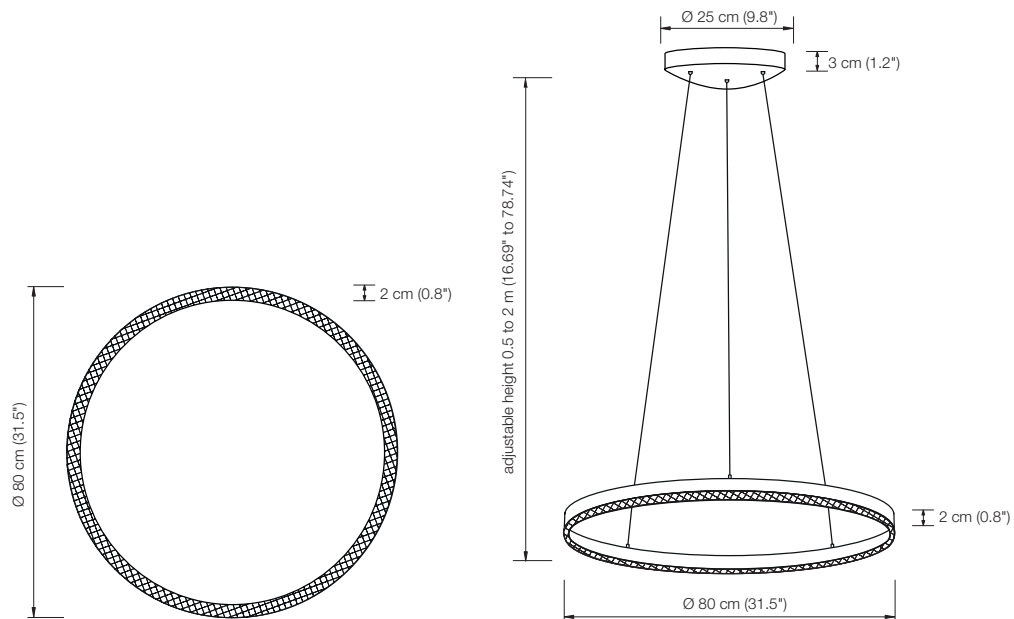
ONE 80 – Bd dark-bronzed, lacquered

ONE 80 – RAL individually according to RAL card

Additional USA 110 V conversion kit available on request

4" junction box: covered

* Other heights: available on request.





OVA

LED chandelier

Designed by: Florian Schulz + Jens Schump

Height: adjustable 1.5 to 2 m (59.06" to 78.74") (standard)*

Oval shade: 125 cm long, 47 wide, 4 cm high
(49.2" long, 18.5" wide, 1.6" high)

Canopy: 47 cm long, 14 cm wide, 5 cm high
(18.5" long, 5.5" wide, 2" high)

Illuminant: LED strip (115 W) with diffuser,
approx. 16300 Lumen**

Color temperature: warmwhite 2700 K***

Color rendering: > 94 Ra

Dimmer: possible via house installation

Base material: brass

OVA – Ms polished, lacquered

OVA – Mt matt brushed, lacquered

OVA – Ni nickel-plated

OVA – Nm nickel-plated, matt brushed

OVA – Cr chrome-plated

OVA – Cu copper-plated, lacquered

OVA – Cm copper-plated, matt brushed, lacquered

OVA – Br bronzed, lacquered

OVA – Bd dark-bronzed, lacquered

OVA – RAL individually according to RAL card

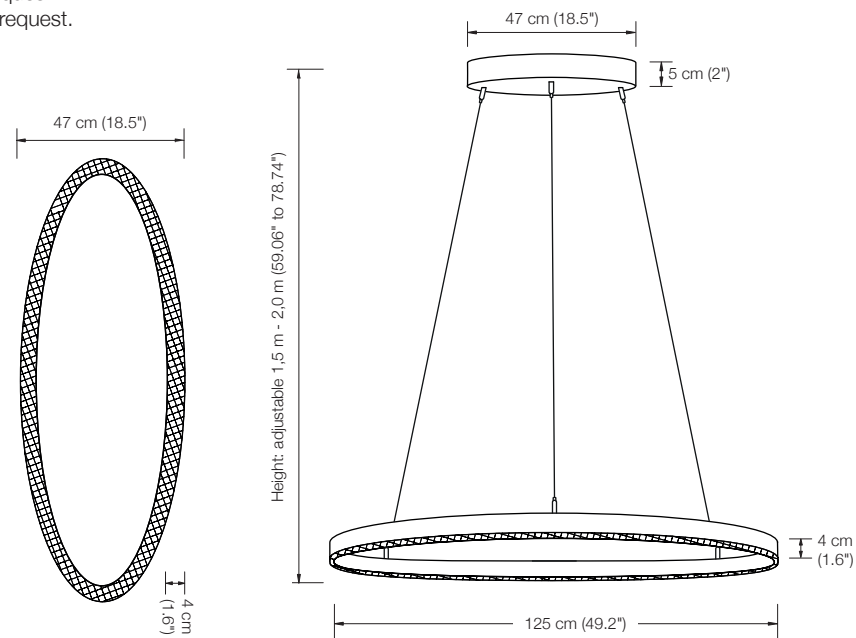
Additional USA 110 V conversion kit available on request

4" junction box: covered

* Other heights possible, each with a range of 50 cm (19.7").

** Higher lumens on request.

*** 3000K + 4000K on request.



OVETTE

LED chandelier

Designed by: Jens Schump

Height: adjustable 1.5 to 2 m (59.06" to 78.74") (standard)*

Ellipse: 86 cm long, 24 cm wide, 3 cm high
(33.9" long, 9.4" wide, 1.2" high)

Canopy: 33 cm long, 12 cm wide, 5 cm high
(13" long, 4.7" wide, 2" high)

Illuminant: LED strip (63,4 W) with diffuser,
approx. 9100 Lumen

Color temperature: warmwhite 2700 K**

CRI: > 95 Ra

Dimmer: possible via house installation

Base material: brass

OVETTE – Ms polished, lacquered

OVETTE – Mt matt brushed, lacquered

OVETTE – Ni nickel-plated

OVETTE – Nm nickel-plated, matt brushed

OVETTE – Cr chrome-plated

OVETTE – Cu copper-plated, lacquered

OVETTE – Cm copper-plated, matt brushed, lacquered

OVETTE – Br bronzed, lacquered

OVETTE – Bd dark-bronzed, lacquered

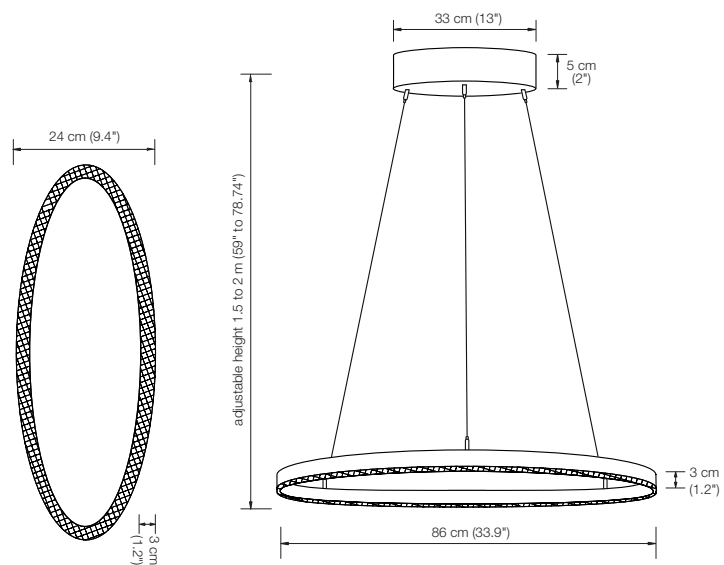
OVETTE – RAL individually according to RAL card

Additional USA 110 V conversion kit available on request

4" junction box: covered

* Other heights possible, each with a range of 50 cm (19.7").

** 3000K + 4000K on request.





MESA 18

Chandelier · 18 removable metal arms

Designed by: Florian Schulz

Total height: min. 85 cm (33.5") - max. 125 cm (49.2")
(standard unless ordered otherwise)

Ø: 88 cm (34.6")

Lampholder: 18 x G4, max. 18 x 3,8 W / 12 V (max. 70 W)

Bulb: 18 x G4 LED, 2 W, à 200 Lumen, 2700° K inkl., dimmable

Dimmer: possible via house installation

base material: brass

MESA 18 – Ms polished, lacquered
 MESA 18 – Mt matt brushed, lacquered
 MESA 18 – Ni nickel-plated
 MESA 18 – Nm nickel-plated, matt brushed
 MESA 18 – Cr chrome-plated
 MESA 18 – Cu copper-plated, lacquered
 MESA 18 – Cm copper-plated, matt brushed, lacquered
 MESA 18 – Br bronzed, lacquered
 MESA 18 – Bd dark-bronzed, lacquered
 MESA 18 – RAL individually according to RAL card
 Additional USA 110 V conversion kit available on request
 4" junction box: covered

MESA 24

Chandelier · 24 removable metal armse

Designed by: Florian Schulz

Total height: min. 95 (37.4") - max. 135 cm (53.1")
(standard unless ordered otherwise)

Ø: 140 cm (55.1")

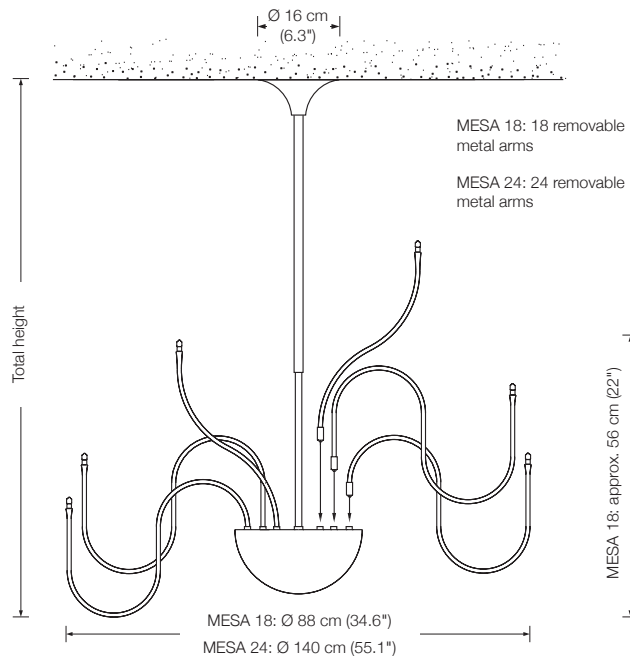
Lampholder: 24 x G4, max. 24 x 2,9 W / 12 V

Bulb: 24 x G4 LED, 2 W, à 200 Lumen, 2700° K inkl., dimmable

Dimmer: possible via house installation

Base material: brass

MESA 24 – Ms polished, lacquered
 MESA 24 – Mt matt brushed, lacquered
 MESA 24 – Ni nickel-plated
 MESA 24 – Nm nickel-plated, matt brushed
 MESA 24 – Cr chrome-plated
 MESA 24 – Cu copper-plated, lacquered
 MESA 24 – Cm copper-plated, matt brushed, lacquered
 MESA 24 – Br bronzed, lacquered
 MESA 24 – Bd dark-bronzed, lacquered
 MESA 24 – RAL individually according to RAL card
 Additional USA 110 V conversion kit available on request
 4" junction box: covered



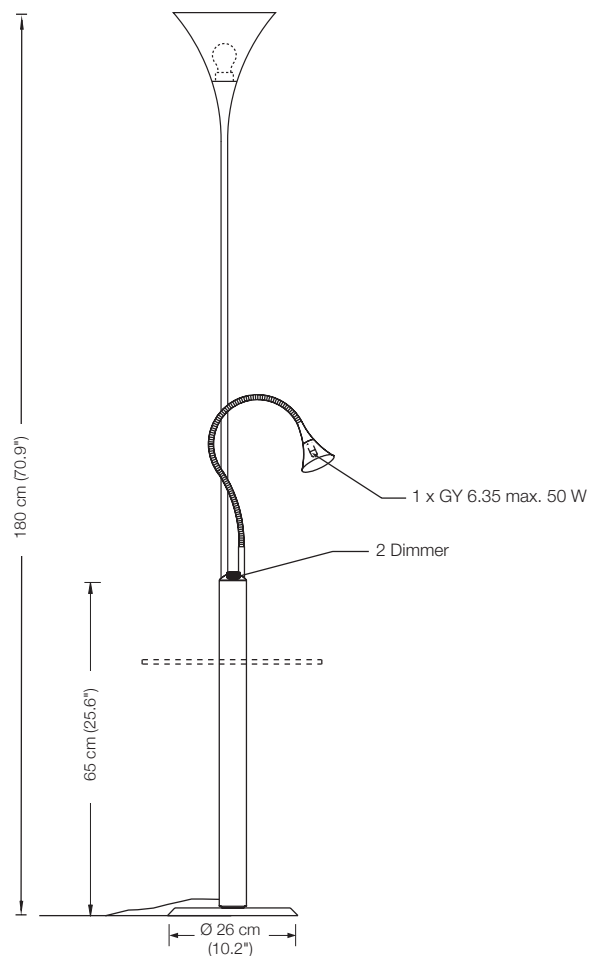
VAYO

Floor lamp / Floor reading lamp

Designed by: Florian Schulz

Height: 180 cm (70.9")
Width reading lamp: approx. 50 cm (19.7")
Shade floor lamp: glass white-opal, Ø 23 cm (9.1")
Shade reading lamp: TEFLON white Ø 7 cm (2.8")
Lampholder floor lamp: E26, max. 150 W / 230 V
Bulb floor lamp: 1 x E26 LED incl., 3452 Lumen, 27 W ($\hat{=}$ 200 W), 2700 °K, dimmable
Lampholder reading lamp: GY6.35, max. 50 W / 12 V
Bulb reading lamp: 1 x G6 incl., dimmable
Electric wire: 4 m (13.1 ft)
Dimmer: 2 x built in
Base material: brass

VAYO – Ms polished, lacquered
VAYO – Mt matt brushed, lacquered
VAYO – Ni nickel-plated
VAYO – Nm nickel-plated, matt brushed
VAYO – Cr chrome-plated
VAYO – Cu copper-plated, lacquered
VAYO – Cm copper-plated, matt brushed, lacquered
VAYO – Br bronzed, lacquered
VAYO – Bd dark-bronzed, lacquered
VAYO – RAL individually according to RAL card
Optional: Glass tabletop
Ø 36 cm (14.2"), height 50 cm (19.7"), clear glass 10 mm (0.4")
Additional USA 110 V conversion kit available on request
floor lamp 110 V bulbs are not included





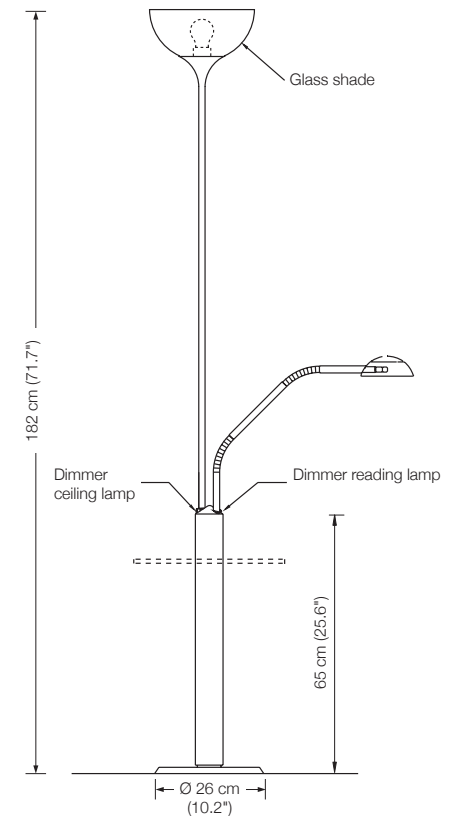
MYOS

Floor lamp / Floor reading lamp

Designed by:	Florian Schulz
Height:	182 cm (71.7")
Width reading lamp:	approx. 50 cm (19.7")
Shade floor lamp:	glass white-opal, Ø 26 cm (10.2")
Shade reading lamp:	metal Ø 12 cm (4.7"), adjustable
Lampholder floor lamp:	E26, max. 250 W / 230 V
Bulb floor lamp:	1 x E26 LED á 1521 Lumen, 14,5 W incl. 2700° K, dimmable
Lampholder reading lamp:	GY6.35, max. 50 W / 12 V
Bulb reading lamp:	1 x G6 incl., 35 W $\hat{=}$ 50 W, dimmable
Electric wire:	4 m (13.1 ft)
Dimmer:	2 x built in
Base material:	brass

MYOS – Ms	polished, lacquered
MYOS – Mt	matt brushed, lacquered
MYOS – Ni	nickel-plated
MYOS – Nm	nickel-plated, matt brushed
MYOS – Cr	chrome-plated
MYOS – Cu	copper-plated, lacquered
MYOS – Cm	copper-plated, matt brushed, lacquered
MYOS – Br	bronzed, lacquered
MYOS – Bd	dark-bronzed, lacquered
MYOS – RAL	individually according to RAL card

Optional: Glass tabletop
 Ø 36 cm (14.2"), height 50 cm (19.7"), clear glass 10 mm (0.4")
 Additional USA 110 V conversion kit available on request
 floor lamp 110 V bulbs are not included



MYOS T

Floor lamp / Floor reading lamp

Designed by:	Florian Schulz
Height:	182 cm (71.7")
Width reading lamp:	approx. 50 cm (19.7")
Shade reading lamp:	metal Ø 12 cm (4.7"), adjustable
Lampholder floor lamp:	E26, max. 250 W / 230 V
Bulb floor lamp:	1 x E26 LED á 1521 Lumen, 14,5 W incl. 2700° K, dimmable
Lampholder reading lamp:	GY6.35, max. 50 W / 12 V
Bulb reading lamp:	1 x G6 incl., 35 W $\hat{=}$ 50 W, dimmable
Electric wire:	4 m (13.1 ft)
Dimmer:	2 x built in
Base material:	brass

MYOS T 40

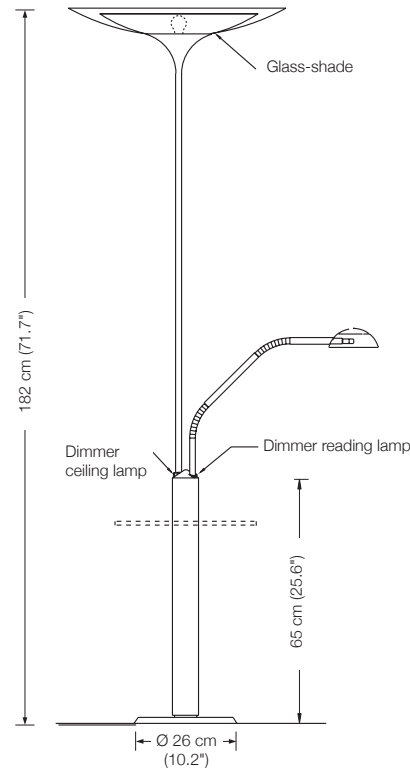
Shade floor lamp: glass white-opal, Ø 40 cm (15.7")

MYOS T 40 – Ms	polished, lacquered
MYOS T 40 – Mt	matt brushed, lacquered
MYOS T 40 – Ni	nickel-plated
MYOS T 40 – Nm	nickel-plated, matt brushed
MYOS T 40 – Cr	chrome-plated
MYOS T 40 – Cu	copper-plated, lacquered
MYOS T 40 – Cm	copper-plated, matt brushed, lacquered
MYOS T 40 – Br	bronzed, lacquered
MYOS T 40 – Bd	dark-bronzed, lacquered
MYOS T 40 – RAL	individually according to RAL card
Optional: Glass tabletop	
Ø 36 cm (14.2"), height 50 cm (19.7"), clear glass 10 mm (0.4")	

MYOS T 55

Shade floor lamp: glass white-opal, Ø 55 cm (21.7")

MYOS T 55 – Ms	polished, lacquered
MYOS T 55 – Mt	matt brushed, lacquered
MYOS T 55 – Ni	nickel-plated
MYOS T 55 – Nm	nickel-plated, matt brushed
MYOS T 55 – Cr	chrome-plated
MYOS T 55 – Cu	copper-plated, lacquered
MYOS T 55 – Cm	copper-plated, matt brushed, lacquered
MYOS T 55 – Br	bronzed, lacquered
MYOS T 55 – Bd	dark-bronzed, lacquered
MYOS T 55 – RAL	individually according to RAL card
Optional: Glass tabletop	
Ø 36 cm (14.2"), height 50 cm (19.7"), clear glass 10 mm (0.4")	



Additional USA 110 V conversion kit
(MYOS T 40 / 55) available on request
floor lamp 110 V bulbs are not included





TAOS

Floor lamp

Designed by: Florian Schulz

Height: 160 - 210 cm (63" - 82.7") adjustable
 Lampholder: E26, max. 150 W
 Bulb: 1 x E26 LED á 1521 Lumen, 14,5 W incl. 2700° K, dimmable
 Electric wire: 3 m (9.8 ft)
 Dimmer: on cord
 Base material: brass

TAOS 55

Shade: glass white-opal Ø 55 cm (21.7")

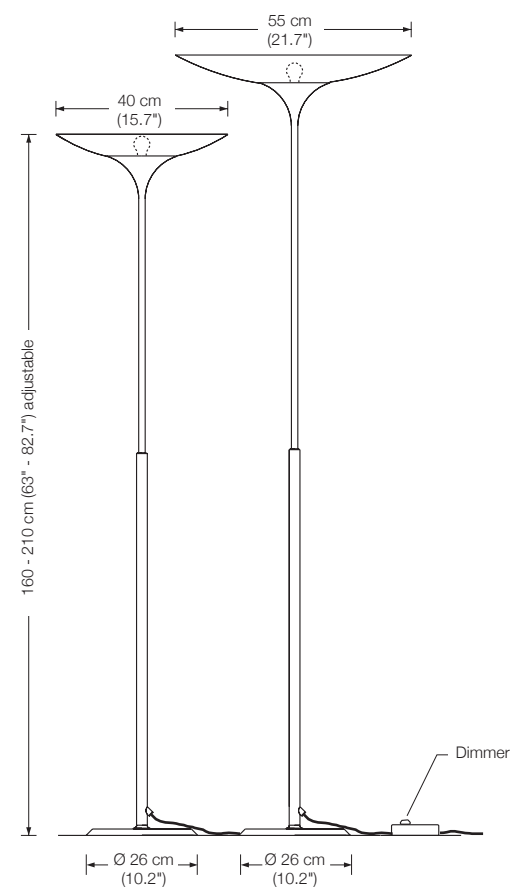
TAOS 55 – Ms polished, lacquered
 TAOS 55 – Mt matt brushed, lacquered
 TAOS 55 – Ni nickel-plated
 TAOS 55 – Nm nickel-plated, matt brushed
 TAOS 55 – Cr chrome-plated
 TAOS 55 – Cu copper-plated, lacquered
 TAOS 55 – Cm copper-plated, matt brushed, lacquered
 TAOS 55 – Br bronzed, lacquered
 TAOS 55 – Bd dark-bronzed, lacquered
 TAOS 55 – RAL individually according to RAL card

TAOS 40

Shade: glass white-opal Ø 40 cm (15.7")

TAOS 40 – Ms polished, lacquered
 TAOS 40 – Mt matt brushed, lacquered
 TAOS 40 – Ni nickel-plated
 TAOS 40 – Nm nickel-plated, matt brushed
 TAOS 40 – Cr chrome-plated
 TAOS 40 – Cu copper-plated, lacquered
 TAOS 40 – Cm copper-plated, matt brushed, lacquered
 TAOS 40 – Br bronzed, lacquered
 TAOS 40 – Bd dark-bronzed, lacquered
 TAOS 40 – RAL individually according to RAL card

Additional USA 110 V conversion kit
 (TAOS 55 / 40) available on request
 110 V bulbs are not included



TAOS SD

Floor lamp

Designed by: Florian Schulz

Height: 160 - 190 cm (63" - 74.8") adjustable
Lampholder: E26 max. 150 W
Bulb: 1 x E26 LED á 1521 Lumen, 14,5 W incl.
2700° K, dimmable
Electric wire: 3 m (9.8 ft)
Dimmer: built in
Base material: brass

TAOS 55 SD

Shade: glass white-opal Ø 55 cm (21.7")

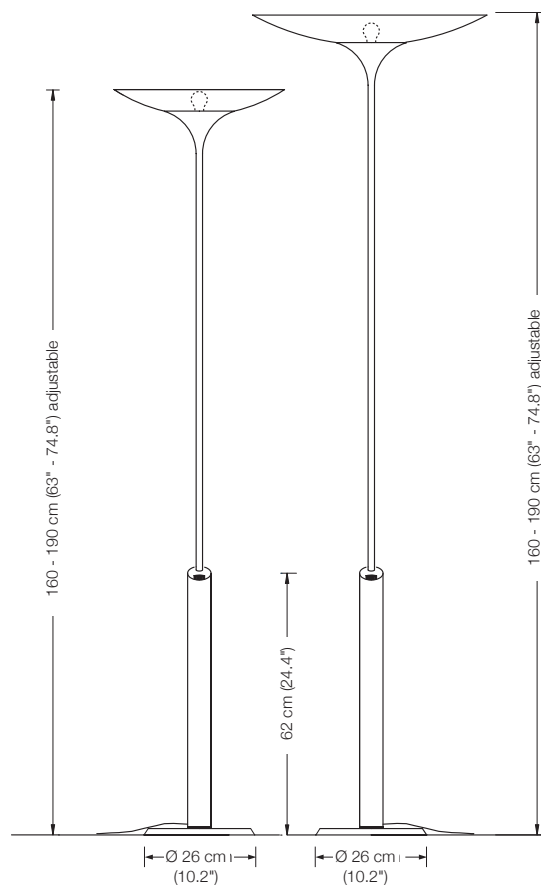
TAOS 55 SD – Ms polished, lacquered
TAOS 55 SD – Mt matt brushed, lacquered
TAOS 55 SD – Ni nickel-plated
TAOS 55 SD – Nm nickel-plated, matt brushed
TAOS 55 SD – Cr chrome-plated
TAOS 55 SD – Cu copper-plated, lacquered
TAOS 55 SD – Cm copper-plated, matt brushed, lacquered
TAOS 55 SD – Br bronzed, lacquered
TAOS 55 SD – Bd dark-bronzed, lacquered
TAOS 55 SD – RAL individually according to RAL card

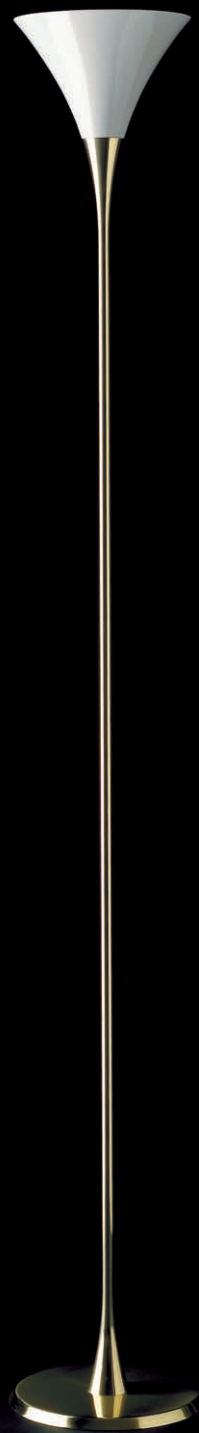
TAOS 40 SD

Shade: glass white-opal Ø 40 cm (15.7")

TAOS 40 SD – Ms polished, lacquered
TAOS 40 SD – Mt matt brushed, lacquered
TAOS 40 SD – Ni nickel-plated
TAOS 40 SD – Nm nickel-plated, matt brushed
TAOS 40 SD – Cr chrome-plated
TAOS 40 SD – Cu copper-plated, lacquered
TAOS 40 SD – Cm copper-plated, matt brushed, lacquered
TAOS 40 SD – Br bronzed, lacquered
TAOS 40 SD – Bd dark-bronzed, lacquered
TAOS 40 SD – RAL individually according to RAL card

Additional USA 110 V conversion kit
(TAOS 55 SD / 40 SD) available on request
110 V bulbs are not included





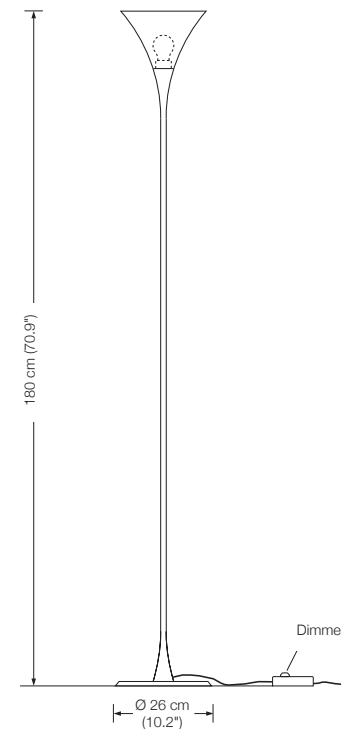
LONEA

Floor lamp

Designed by: Florian Schulz

Height: 180 cm (70.9")
 Shade: glass white-opal, Ø 23 cm (9.1")
 Lampholder: E26, max. 250 W
 Bulb: 1 x E26 LED incl., 3452 Lumen,
 27 W (\triangleq 200 W), 2700 °K, dimmable
 Electric wire: 3 m (9.8 ft)
 Dimmer: on cord
 Base material: brass

LONEA – Ms polished, lacquered
 LONEA – Mt matt brushed, lacquered
 LONEA – Ni nickel-plated
 LONEA – Nm nickel-plated, matt brushed
 LONEA – Cr chrome-plated
 LONEA – Cu copper-plated, lacquered
 LONEA – Cm copper-plated, matt brushed, lacquered
 LONEA – Br bronzed, lacquered
 LONEA – Bd dark-bronzed, lacquered
 LONEA – RAL individually according to RAL card
 Additional USA 110 V conversion kit available on request
 110 V bulbs are not included



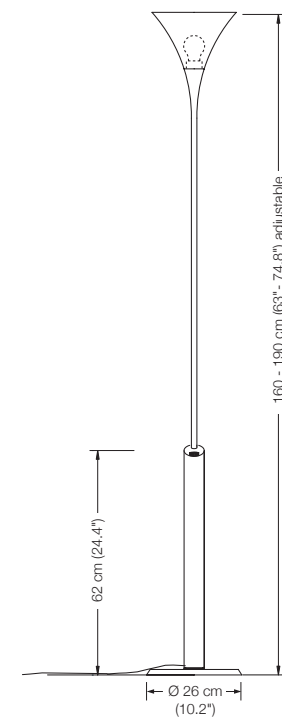
LONEA SD

Floor lamp

Designed by: Florian Schulz

Height: 160 - 190 cm (63" - 74.8") adjustable
 Shade: glass white-opal, Ø 23 cm (9.1")
 Lampholder: E26, max. 250 W
 Bulb: 1 x E26 LED incl., 3452 Lumen,
 27 W (\triangleq 200 W), 2700 °K, dimmable
 Electric wire: 3 m (9.8 ft)
 Dimmer: built in
 Base material: brass

LONEA SD – Ms polished, lacquered
 LONEA SD – Mt matt brushed, lacquered
 LONEA SD – Ni nickel-plated
 LONEA SD – Nm nickel-plated, matt brushed
 LONEA SD – Cr chrome-plated
 LONEA SD – Cu copper-plated, lacquered
 LONEA SD – Cm copper-plated, matt brushed, lacquered
 LONEA SD – Br bronzed, lacquered
 LONEA SD – Bd dark-bronzed, lacquered
 LONEA SD – RAL individually according to RAL card
 Additional USA 110 V conversion kit available on request
 110 V bulbs are not included



BulLEYE-S

Floor reading lamp

Designed by: Jens Schump

Height: 107 – 172 cm (42.1" – 67.7") adjustable

Shade: rotatable, Ø 8 cm (3.1")

Lampholder: Osram CoB-LED, 8,7 W, 1000 Lumen
2700 °K, dimmable

Color rendering: > 90 Ra

Electric wire: 3 m (9.8 ft) textile cable black (standard)

Base material: brass

BulLEYE-S – Ms polished, lacquered

BulLEYE-S – Mt matt brushed, lacquered

BulLEYE-S – Ni nickel-plated

BulLEYE-S – Nm nickel-plated, matt brushed

BulLEYE-S – Cr chrome-plated

BulLEYE-S – Cu copper-plated, lacquered

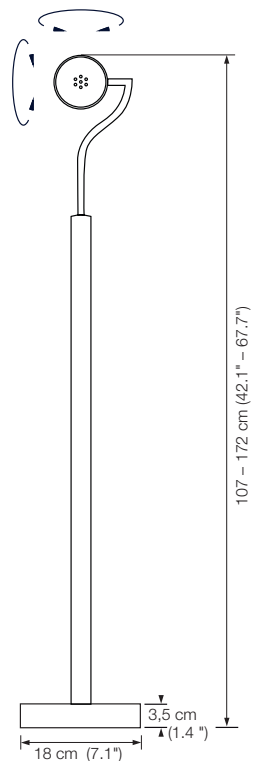
BulLEYE-S – Cm copper-plated, matt brushed, lacquered

BulLEYE-S – Br bronzed, lacquered

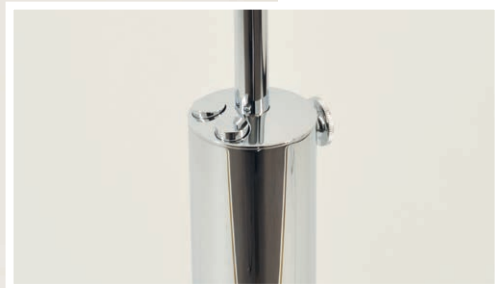
BulLEYE-S – Bd dark-bronzed, lacquered

BulLEYE-S – RAL individually according to RAL card

US Plug Adapter available on request



Special finish shown: matt black.



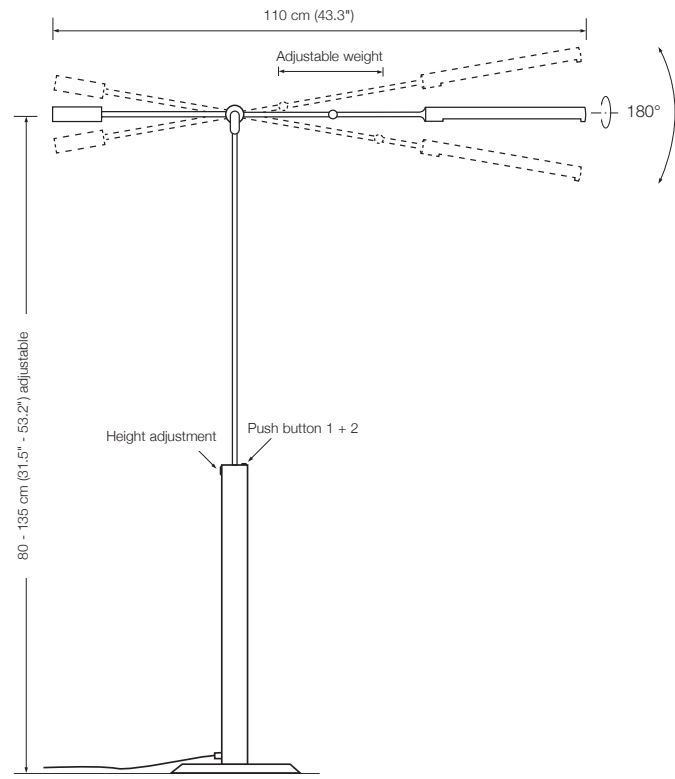
DROP

Floor reading lamp / Piano light

Designed by: Jens Schump

- Height: adjustable from 80 – 135 cm (31.5" – 53.1")
- Width: 70 cm (27.6")
- Shade: Ø 3 cm (1.2"), approx. 34 cm (13.4") long, 180° rotatable
- Bulb: LED-Line TW (approx. 18,6 W) incl., exchangeable
approx. 1800 Lumen, dimmable
- Push button 1: tuning white infinitely variable from 2700° – 5700° K
- Push button 2: on / off / dimming
- Color rendering: > 95 Ra
- Electric wire: 3 m (9.8 ft) textile cable black (standard)
- Dimmer: built in
- Base material: brass

- DROP – Ms polished, lacquered
- DROP – Mt matt brushed, lacquered
- DROP – Ni nickel-plated
- DROP – Nm nickel-plated, matt brushed
- DROP – Cr chrome-plated
- DROP – Cu copper-plated, lacquered
- DROP – Cm copper-plated, matt brushed, lacquered
- DROP – Br bronzed, lacquered
- DROP – Bd dark-bronzed, lacquered
- DROP – RAL individually according to RAL card
- US Plug Adapter available on request



NOSTALGIA-S

Floor reading lamp

Designed by: Jens Schump

Height: 120 cm (47.2")

Shade*: Silk

Colour: white or black

Shape: conical or straight

Lampholder: 1 x E26, max. 150 W

Bulb: 1 x E26 LED á 1055 Lumen,

7,8 W, 2700 °K

Electric wire: 2,5 m (8.2 ft)

Dimmer: on cord

Base material: brass

NOSTALGIA-S – Ms polished, lacquered

NOSTALGIA-S – Mt matt brushed, lacquered

NOSTALGIA-S – Ni nickel-plated

NOSTALGIA-S – Nm nickel-plated, matt brushed

NOSTALGIA-S – Cr chrome-plated

NOSTALGIA-S – Cu copper-plated, lacquered

NOSTALGIA-S – Cm copper-plated, matt brushed, lacquered

NOSTALGIA-S – Br bronzed, lacquered

NOSTALGIA-S – Bd dark-bronzed, lacquered

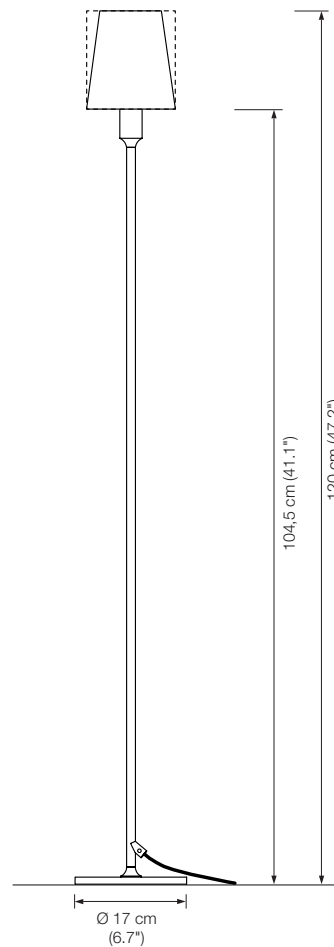
NOSTALGIA-S – RAL individually according to RAL card

Additional USA 110 V conversion kit available on request

110 V bulbs not included

Conical Shade:
Ø 14 cm, h 15,5 cm, Ø 10 cm
(Ø 5.5", h 6.1", Ø 3.9")

Cylindrical Shade:
Ø 14 cm, h 15,5 cm
(Ø 5.5", h 6.1")



* Please specify the desired shape when ordering.

Silk according to sample card VS Manufaktur.

With all silk shades, you have the option of sending us your own fabric and we will manufacture your individual shade in our in-house manufactory.

If the shade is made from a different material:

Surcharge according to effort.

Fabric required: 50 x 25 cm (19.7" x 9.8")





STE

Floor reading lamp

Designed by: Florian Schulz

Height: adjustable
 Shade: Silk*
 Lampholder: E26, max. 150 W
 Bulb: 1 x E26 LED á 1055 Lumen, 10,5 W incl. 2700° K, 11 W \triangleq 75 W, dimmable
 Electric wire: 3 m (9.8 ft) textile cable black (standard)
 Dimmer: on cord
 Base material: brass

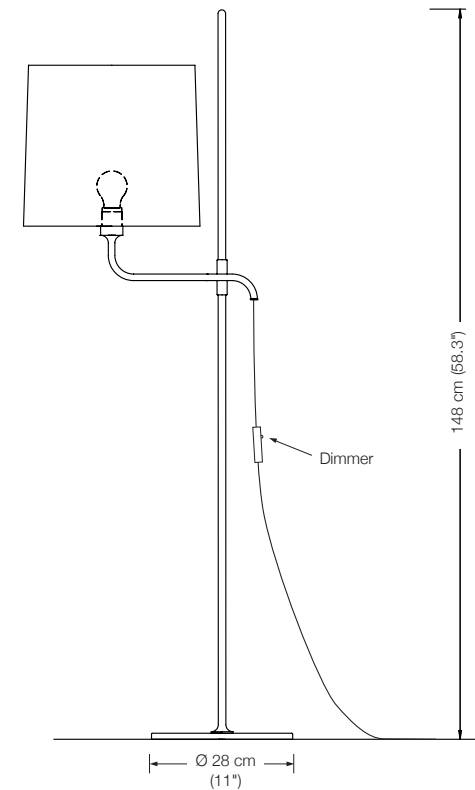
STE – Ms polished, lacquered
 STE – Mt matt brushed, lacquered
 STE – Ni nickel-plated
 STE – Nm nickel-plated, matt brushed
 STE – Cr chrome-plated
 STE – Cu copper-plated, lacquered
 STE – Cm copper-plated, matt brushed, lacquered
 STE – Br bronzed, lacquered
 STE – Bd dark-bronzed, lacquered
 STE – RAL individually according to RAL card
 Additional USA 110 V conversion kit available on request
 110 V bulbs not included

* Silk according to sample card VS Manufaktur.

With all silk shades, you have the option of sending us your own fabric and we will manufacture your individual shade in our in-house manufactory.

If the shade is made from a different material:
 Surcharge according to effort.
 Fabric required: 120 x 60 cm (47.2" x 23.6")

Ø 34 cm (13.4")
 h 33 cm (13")
 Ø 35 cm (13.8")



PIN d

Floor reading lamp dimmbar

Designed by: Florian Schulz

Height: 105 - 140 cm (41.3" - 55.1") adjustable

Width: approx. 52 cm (20.5")

Bulb: 1 x LED 150 (approx. 8,4 Watt) incl.
exchangeable, approx. 840 Lumen

Color temperature: warmwhite 2700 K

Color rendering: > 90 Ra

Electric wire: 3 m (9.8 ft)

Dimmer: built in

Base material: brass

PIN d – Ms polished, lacquered

PIN d – Mt matt brushed, lacquered

PIN d – Ni nickel-plated

PIN d – Nm nickel-plated, matt brushed

PIN d – Cr chrome-plated

PIN d – Cu copper-plated, lacquered

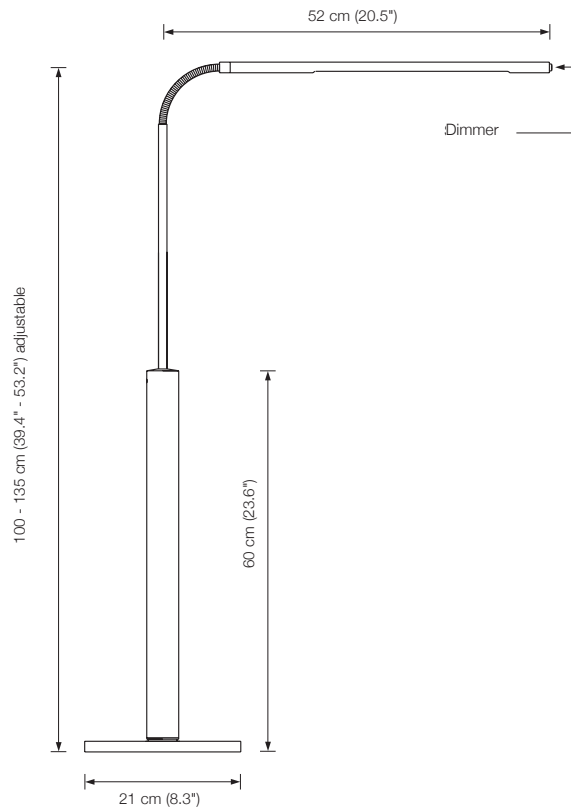
PIN d – Cm copper-plated, matt brushed, lacquered

PIN d – Br bronzed, lacquered

PIN d – Bd dark-bronzed, lacquered

PIN d – RAL individually according to RAL card

US Plug Adapter available on request





INAS

Designed by: Florian Schulz
 Height: 132 - 170 cm (52" - 66.9") adjustable
 Shade: Silk, conical or straight*
 Lampholder: E26, max. 150 W
 Bulb: 1 x E26 LED á 1055 Lumen, 10,5 W incl. 2700° K, 10,5 W $\hat{=}$ 75 W, dimmable
 Electric wire: 4 m (13.1 ft)
 Dimmer: on cord
 Base material: brass

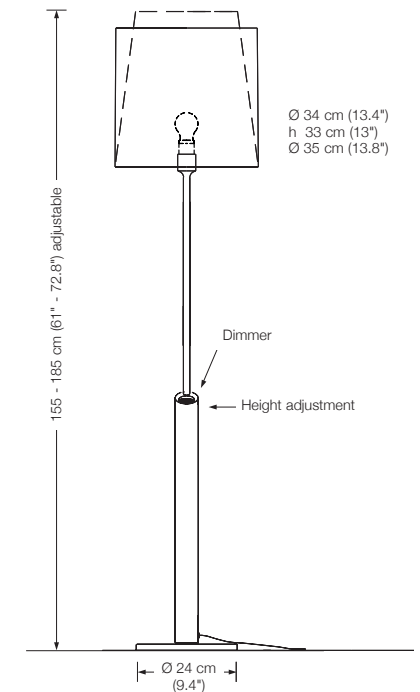
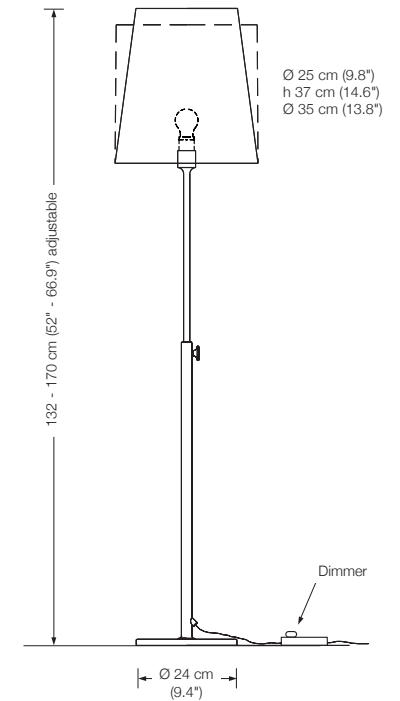
INAS - Ms polished, lacquered
 INAS - Mt matt brushed, lacquered
 INAS - Ni nickel-plated
 INAS - Nm nickel-plated, matt brushed
 INAS - Cr chrome-plated
 INAS - Cu copper-plated, lacquered
 INAS - Cm copper-plated, matt brushed, lacquered
 INAS - Br bronzed, lacquered
 INAS - Bd dark-bronzed, lacquered
 INAS - RAL individually according to RAL card
 Additional USA 110 V conversion kit available on request
 110 V bulbs not included

INAS SD Floor reading lamp

Designed by: Florian Schulz
 Height: 155 - 185 cm (61" - 72.8") adjustable
 Shade: Silk, conical or straight*
 Lampholder: E26, max. 150 W
 Bulb: 1 x E26 LED á 1055 Lumen, 10,5 W incl. 2700° K, 10,5 W $\hat{=}$ 75 W, dimmable
 Electric wire: 4 m (13.1 ft)
 Dimmer: built in
 Base material: brass

INAS SD - Ms polished, lacquered
 INAS SD - Mt matt brushed, lacquered
 INAS SD - Ni nickel-plated
 INAS SD - Nm nickel-plated, matt brushed
 INAS SD - Cr chrome-plated
 INAS SD - Cu copper-plated, lacquered
 INAS SD - Cm copper-plated, matt brushed, lacquered
 INAS SD - Br bronzed, lacquered
 INAS SD - Bd dark-bronzed, lacquered
 INAS SD - RAL individually according to RAL card
 Additional USA 110 V conversion kit available on request
 110 V bulbs not included

* Please specify the desired shape when ordering. Silk according to sample card VS Manufaktur. **With all silk shades, you have the option of sending us your own fabric and we will manufacture your individual shade in our in-house manufactory.** If the shade is made from a different material: Surcharge according to effort. Fabric required: 120 x 60 cm (47.3" x 23.6")





Additional USA 110 V conversion kit (LESAN M / S) available on request
110 V bulbs not included

LESAN M

Floor reading lamp

Designed by: Florian Schulz

Height: 90 - 135 cm (35.4" - 53.1") adjustable
Shade: metal Ø 28 cm (11")
Lampholder: E26, max. 100 W
Bulb: 1 x E26 LED á 1055 Lumen, 10,5 W incl. 2700° K, 10,5 W $\hat{=}$ 75 W, dimmable
Electric wire: 3 m (9.8 ft)
Dimmer: on cord
Base material: brass

LESAN M – Ms polished, lacquered
LESAN M – Mt matt brushed, lacquered
LESAN M – Ni nickel-plated
LESAN M – Nm nickel-plated, matt brushed
LESAN M – Cr chrome-plated
LESAN M – Cu copper-plated, lacquered
LESAN M – Cm copper-plated, matt brushed, lacquered
LESAN M – Br bronzed, lacquered
LESAN M – Bd dark-bronzed, lacquered
LESAN M – RAL individually according to RAL card

LESAN S

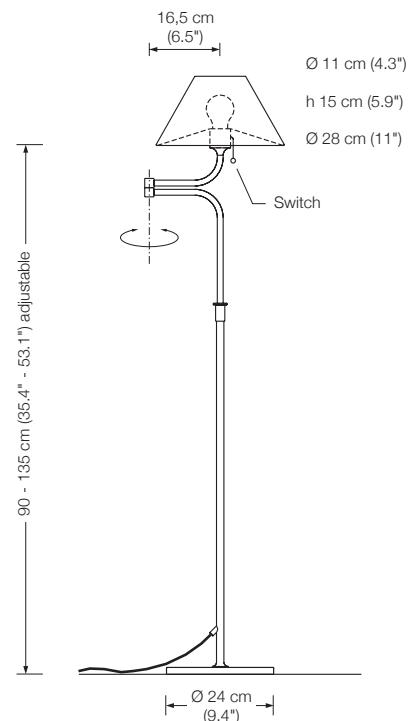
Floor reading lamp

Designed by: Florian Schulz

Height: 90 - 135 cm (35.4" - 53.1") adjustable
Shade: Silk* Ø 28 cm (11")
Lampholder: E26, max. 70 W
Bulb: 1 x E26 LED á 1055 Lumen, 10,5 W incl. 2700° K, 10,5 W $\hat{=}$ 75 W, dimmable
Electric wire: 3 m (9.8 ft)
Dimmer: on cord
Base material: brass

LESAN S – Ms polished, lacquered
LESAN S – Mt matt brushed, lacquered
LESAN S – Ni nickel-plated
LESAN S – Nm nickel-plated, matt brushed
LESAN S – Cr chrome-plated
LESAN S – Cu copper-plated, lacquered
LESAN S – Cm copper-plated, matt brushed, lacquered
LESAN S – Br bronzed, lacquered
LESAN S – Bd dark-bronzed, lacquered
LESAN S – RAL individually according to RAL card

* Silk according to sample card VS Manufaktur. **With all silk shades, you have the option of sending us your own fabric and we will manufacture your individual shade in our in-house manufactory.**
If the shade is made from a different material: Surcharge according to effort.
Fabric required: 50 x 80 cm (19.7" x 31.5")

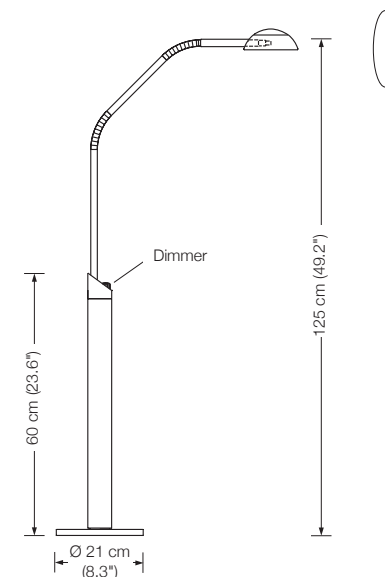


YON

Floor reading lamp

Designed by: Florian Schulz
Height: adjustable
Shade: metal Ø 12 cm (4.7"), rotatable
Lampholder: GY6.35, max. 50 W / 12 V
Bulb: 1 x G6 incl., 35 W $\hat{=}$ 50 W, dimmable
Electric wire: 4 m (13.1 ft)
Dimmer: built in
Base material: brass

YON – Ms polished, lacquered
YON – Mt matt brushed, lacquered
YON – Ni nickel-plated
YON – Nm nickel-plated, matt brushed
YON – Cr chrome-plated
YON – Cu copper-plated, lacquered
YON – Cm copper-plated, matt brushed, lacquered
YON – Br bronzed, lacquered
YON – Bd dark-bronzed, lacquered
YON – RAL individually according to RAL card
Additional USA 110 V conversion kit available on request



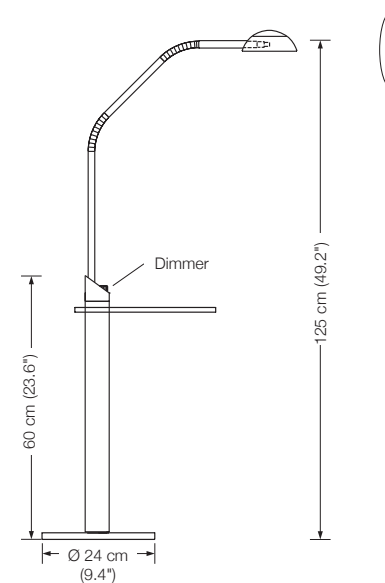
YON G

Floor reading lamp

with glass tabletop Ø 30 cm (11.8"), clear glass

Designed by: Florian Schulz
Height: adjustable
Shade: metal Ø 12 cm (4.7"), rotatable
Lampholder: GY6.35, max. 50 W / 12 V
Bulb: 1 x G6 incl., 35 W $\hat{=}$ 50 W, dimmable
Electric wire: 4 m (13.1 ft)
Dimmer: built in
Base material: brass

YON G – Ms polished, lacquered
YON G – Mt matt brushed, lacquered
YON G – Ni nickel-plated
YON G – Nm nickel-plated, matt brushed
YON G – Cr chrome-plated
YON G – Cu copper-plated, lacquered
YON G – Cm copper-plated, matt brushed, lacquered
YON G – Br bronzed, lacquered
YON G – Bd dark-bronzed, lacquered
YON G – RAL individually according to RAL card
Additional USA 110 V conversion kit available on request



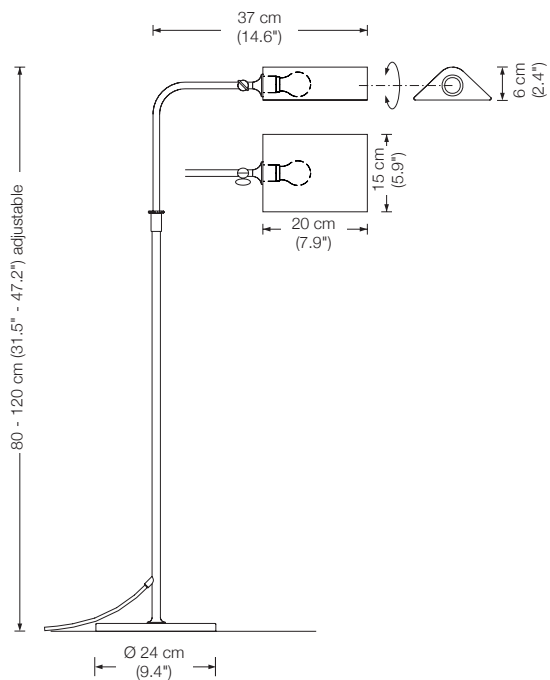
CERVANTES

Floor reading lamp

Designed by: Florian Schulz

Height: 80 - 120 cm (31.5" - 47.2") adjustable
Shade: metal, adjustable
Lampholder: E26, max. 100 W
Bulb: 1 x E26 LED á 1055 Lumen, 10,5 W incl.
2700° K, 10,5 W \triangleq 75 W, dimmable
Electric wire: 4 m (13.1 ft)
Dimmer: on cord
Base material: brass

CERVANTES – Ms polished, lacquered
CERVANTES – Mt matt brushed, lacquered
CERVANTES – Ni nickel-plated
CERVANTES – Nm nickel-plated, matt brushed
CERVANTES – Cr chrome-plated
CERVANTES – Cu copper-plated, lacquered
CERVANTES – Cm copper-plated, matt brushed, lacquered
CERVANTES – Br bronzed, lacquered
CERVANTES – Bd dark-bronzed, lacquered
CERVANTES – RAL individually according to RAL card
Additional USA 110 V conversion kit available on request
110 V bulbs not included





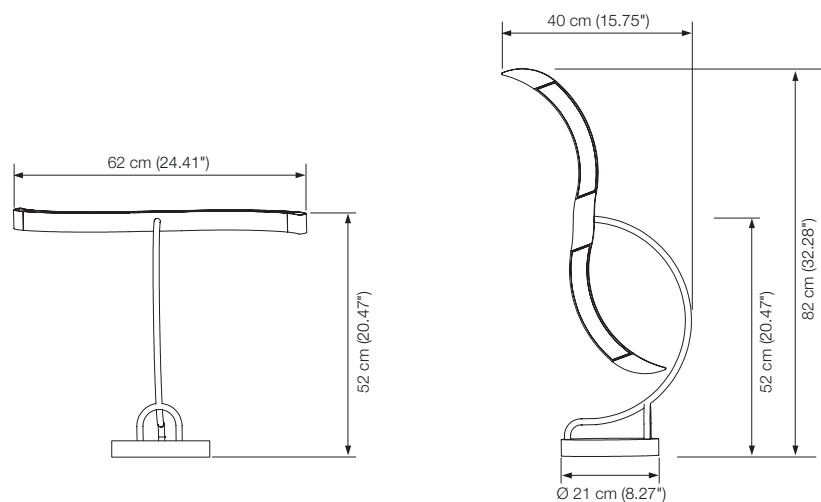
SERPENTI-T

Table lamp

Designed by: Jens Schump

Height: 52 – 82 cm (20.47" – 32.28") adjustable
Shade: 62 cm (24.41") long, 30 cm (11.81") wide
Shade profile: 4 x 4 cm (1.58" x 1.58")
Width: from 21 cm (8.27") to 62 cm (24.41") adjustable
Depth: 40 cm (15.75")
Illuminant: LED, 20.3 W, with glare protection, approx. 3000 Lumen
Color rendering: > 90 Ra
Dimmer: sweep sensor in the middle of the shade
Cable: 3 m (9.85 ft) black (*standard*)
Base material: brass

SERPENTI-T – Ms polished, lacquered
SERPENTI-T – Mt matt brushed, lacquered
SERPENTI-T – Ni nickel-plated
SERPENTI-T – Nm nickel-plated, matt brushed
SERPENTI-T – Cr chrome-plated
SERPENTI-T – Cu copper-plated, lacquered
SERPENTI-T – Cm copper-plated, matt brushed, lacquered
SERPENTI-T – Br bronzed, lacquered
SERPENTI-T – Bd dark-bronzed, lacquered
SERPENTI-T – RAL individually according to RAL card
US Plug Adapter available on request





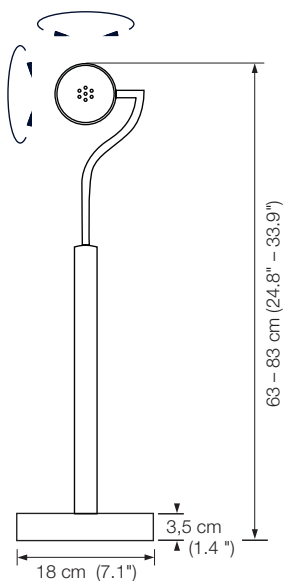
BulLEYE-T

Table lamp

Designed by: Jens Schump

Height: 63 – 86 cm (24.8" – 33.9") adjustable
Shade: rotatable, Ø 8 cm (3.1")
Lampholder: Osram CoB-LED, 8,7 W, 1000 Lumen
2700 °K, dimmable
Color rendering: > 90 Ra
Electric wire: 3 m (9.8 ft) textile cable black (standard)
Base material: brass

BulLEYE-T – Ms polished, lacquered
BulLEYE-T – Mt matt brushed, lacquered
BulLEYE-T – Ni nickel-plated
BulLEYE-T – Nm nickel-plated, matt brushed
BulLEYE-T – Cr chrome-plated
BulLEYE-T – Cu copper-plated, lacquered
BulLEYE-T – Cm copper-plated, matt brushed, lacquered
BulLEYE-T – Br bronzed, lacquered
BulLEYE-T – Bd dark-bronzed, lacquered
BulLEYE-T – RAL individually according to RAL card
US Plug Adapter available on request



Special finish shown: matt white.

Extendable
up to 83 cm
(32.7").



NOSTALGIA-T

Table lamp

Designed by: Jens Schump

Height: 48,5 cm (19.1")

Shade*: Silk

Colour: white or black

Shape: conical or straight

Lampholder: 1 x E26, max. 150 W

Bulb: 1 x E26 LED á 1055 Lumen,
7,8 W, 2700 °K

Electric wire: 2 m (6.5 ft)

Dimmer: on cord

Base material: brass

NOSTALGIA-T – Ms polished, lacquered

NOSTALGIA-T – Mt matt brushed, lacquered

NOSTALGIA-T – Ni nickel-plated

NOSTALGIA-T – Nm nickel-plated, matt brushed

NOSTALGIA-T – Cr chrome-plated

NOSTALGIA-T – Cu copper-plated, lacquered

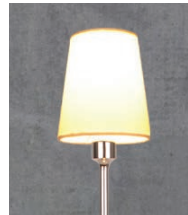
NOSTALGIA-T – Cm copper-plated, matt brushed, lacquered

NOSTALGIA-T – Br bronzed, lacquered

NOSTALGIA-T – Bd dark-bronzed, lacquered

NOSTALGIA-T – RAL individually according to RAL card

Additional USA 110 V conversion kit available on request



* Please specify the desired shape when ordering.

Silk according to sample card VS Manufaktur.

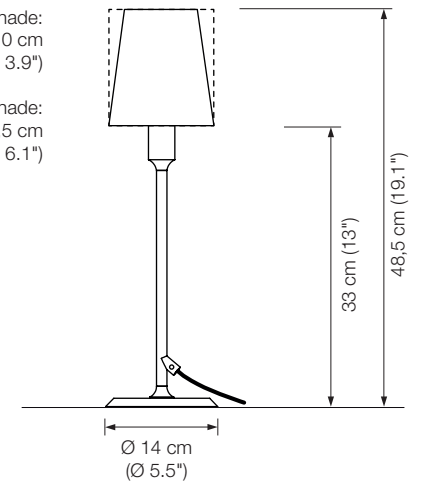
With all silk shades, you have the option of sending us your own fabric and we will manufacture your individual shade in our in-house manufactory.

If the shade is made from a different material: Surcharge according to effort.

Fabric required: 50 x 25 cm (19.7" x 9.8")

Conical Shade:
Ø 14 cm, h 15,5 cm, Ø 10 cm
(Ø 5.5", h 6.1", Ø 3.9")

Cylindrical Shade:
Ø 14 cm, h 15,5 cm
(Ø 5.5", h 6.1")



TOA

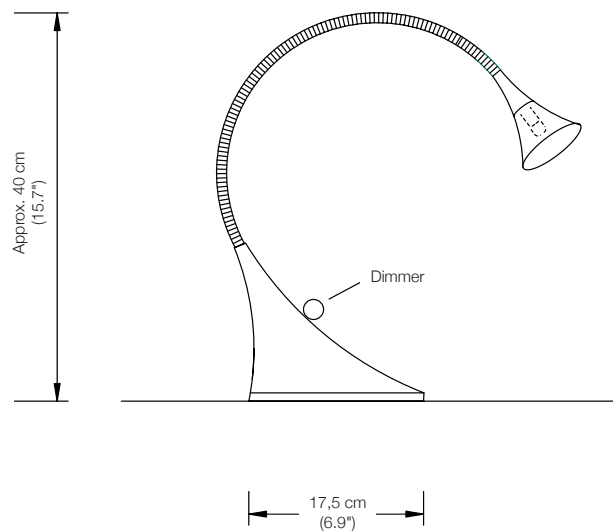
Table lamp

flexible and specially reinforced metal arm

Designed by: Florian Schulz

Height: up to max. 50 cm (19.7")
Shade: TEFLON white, Ø 7 cm (2.8")
Lampholder: GY6.35, max. 50 W / 12 V
Bulb: 1 x G6 incl., dimmable
Electric wire: 2,5 m (8.2 ft)
Dimmer: built in
Base material: brass

TOA – Ms polished, lacquered
TOA – Mt matt brushed, lacquered
TOA – Ni nickel-plated
TOA – Nm nickel-plated, matt brushed
TOA – Cr chrome-plated
TOA – Cu copper-plated, lacquered
TOA – Cm copper-plated, matt brushed, lacquered
TOA – Br bronzed, lacquered
TOA – Bd dark-bronzed, lacquered
TOA – RAL individually according to RAL card
Additional USA 110 V conversion kit available on request





Walnut
mocha



Walnut
cognac

TAU

Table lamp

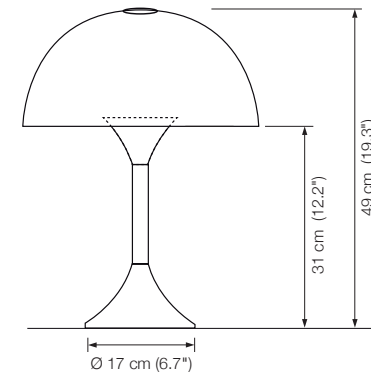
Designed by: Jens Schump

Height: approx. 50 cm
Shade: glass white-opal, Ø 36 cm (14.2")
Lampholder: 3 x E26, max. 100 Watt
Bulb: 3 x E26 LED á 1055 Lumen, 10,5 W incl., dimmable
Middle part: walnut mocha (standard)*
Electric wire: 2,5 m (8.2 ft)
Dimmer: built in
Base material: brass

TAU – Ms polished, lacquered
TAU – Mt matt brushed, lacquered
TAU – Ni nickel-plated
TAU – Nm nickel-plated, matt brushed
TAU – Cr chrome-plated
TAU – Cu copper-plated, lacquered
TAU – Cm copper-plated, matt brushed, lacquered
TAU – Br bronzed, lacquered
TAU – Bd dark-bronzed, lacquered
TAU – RAL individually according to RAL card

Additional USA 110 V conversion kit available on request
110 V bulbs not included

* Optional: walnut cognac
Please indicate with order.



TOPAN

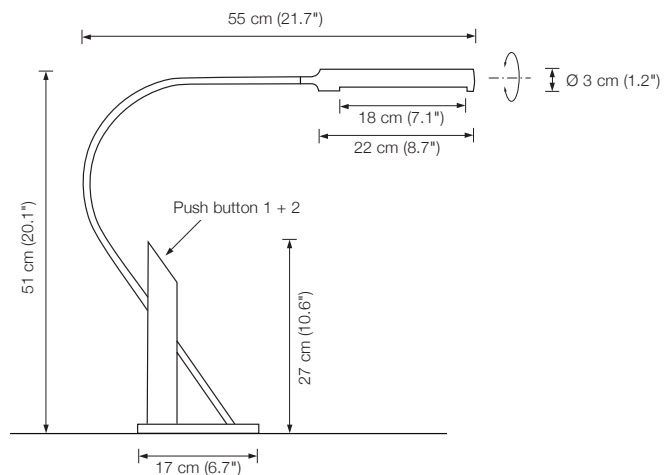
Table lamp

Designed by: Jens Schump

Height: 51 cm (20.1")
Width: 55 cm (21.7")
Shade: Ø 3 cm (1.2"), approx. 23 cm (9.1") long, 180° rotatable
Bulb: LED-Line TW (approx. 12,5 W) incl., exchangeable
approx. 1330 Lumen
dimmable

Push button 1: tuning white infinitely variable from 2700° – 5700° K
Push button 2: on / off / dimming
Color rendering: > 95 Ra
Electric wire: 3 m (9.8 ft) textile cable black (*standard*)
Dimmer: built in
Base material: brass

TOPAN – Ms polished, lacquered
TOPAN – Mt matt brushed, lacquered
TOPAN – Ni nickel-plated
TOPAN – Nm nickel-plated, matt brushed
TOPAN – Cr chrome-plated
TOPAN – Cu copper-plated, lacquered
TOPAN – Cm copper-plated, matt brushed, lacquered
TOPAN – Br bronzed, lacquered
TOPAN – Bd dark-bronzed, lacquered
TOPAN – RAL individually according to RAL card
US Plug Adapter available on request





ORA

Table lamp

Designed by: Florian Schulz

Shade: Silk*

Lampholder: E26, max. 100 W

Bulb: 1 x E26 LED á 1055 Lumen, 10,5 W incl. 2700° K, 11 W \triangleq 75 W, dimmable

Electric wire: 3 m (9.8 ft)

Dimmer: on cord

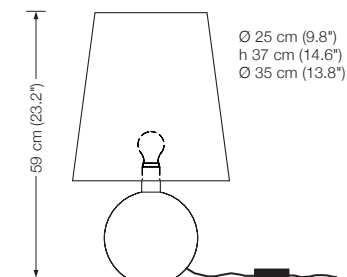
Base material: brass

Additional USA 110 V conversion kit (ORA 20 / 25) available on request
110 V bulbs not included

ORA 20

Metal ball Ø 20 cm (7.9")
Height: 59 cm (23.2")

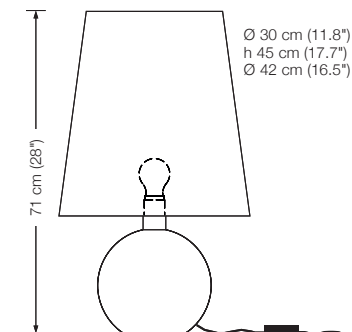
ORA 20 – Ms polished, lacquered
ORA 20 – Mt matt brushed, lacquered
ORA 20 – Ni nickel-plated
ORA 20 – Nm nickel-plated, matt brushed
ORA 20 – Cr chrome-plated
ORA 20 – Cu copper-plated, lacquered
ORA 20 – Cm copper-plated, matt brushed, lacquered
ORA 20 – Br bronzed, lacquered
ORA 20 – Bd dark-bronzed, lacquered
ORA 20 – RAL individually according to RAL card



ORA 25

Metal ball Ø 25 cm (9.8")
Height: 71 cm (28")

ORA 25 – Ms polished, lacquered
ORA 25 – Mt matt brushed, lacquered
ORA 25 – Ni nickel-plated
ORA 25 – Nm nickel-plated, matt brushed
ORA 25 – Cr chrome-plated
ORA 25 – Cu copper-plated, lacquered
ORA 25 – Cm copper-plated, matt brushed, lacquered
ORA 25 – Br bronzed, lacquered
ORA 25 – Bd dark-bronzed, lacquered
ORA 25 – RAL individually according to RAL card



* Silk according to sample card VS Manufaktur.

With all silk shades, you have the option of sending us your own fabric and we will manufacture your individual shade in our in-house manufactory.

If the shade is made from a different material: Surcharge according to effort.

Fabric required ORA 20: 120 x 60 cm (47.2" x 23.6")

Fabric required ORA 25: 140 x 70 cm (55.1" x 27.6")

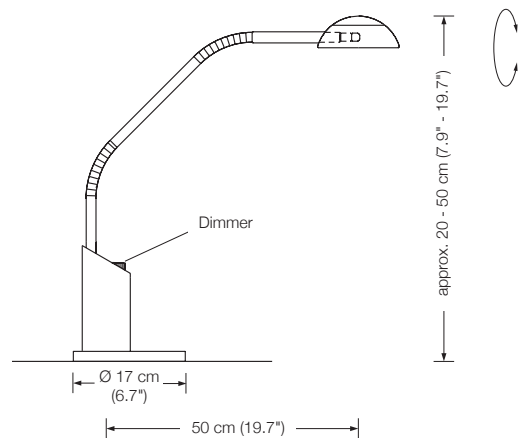
YON T

Table lamp

Designed by: Florian Schulz

Shade: metal Ø 12 cm (4.7"), adjustable
Lampholder: GY6.35, max. 50 W / 12 V
Bulb: 1 x G6 incl., 35 W $\hat{=}$ 50 W, dimmable
Electric wire: 2,5 m (8.2 ft)
Dimmer: built in
Base material: brass

YON T - Ms polished, lacquered
YON T - Mt matt brushed, lacquered
YON T - Ni nickel-plated
YON T - Nm nickel-plated, matt brushed
YON T - Cr chrome-plated
YON T - Cu copper-plated, lacquered
YON T - Cm copper-plated, matt brushed, lacquered
YON T - Br bronzed, lacquered
YON T - Bd dark-bronzed, lacquered
YON T - RAL individually according to RAL card
Additional USA 110 V conversion kit available on request





ESA

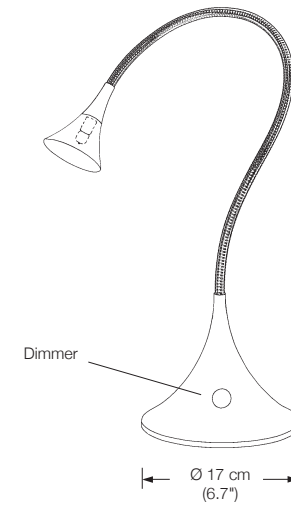
Table lamp

flexible and specially reinforced metal arm

Designed by: Florian Schulz

Height: up to 50 cm (19.7")
Shade: TEFLON white, Ø 7 cm (2.8")
Lampholder: GY6.35, max. 50 W
Bulb: 1 x G6 incl., 35 W $\hat{=}$ 50 W, dimmable
Electric wire: 2,5 m (8.2 ft)
Dimmer: built in
Base material: brass

ESA – Ms polished, lacquered
ESA – Mt matt brushed, lacquered
ESA – Ni nickel-plated
ESA – Nm nickel-plated, matt brushed
ESA – Cr chrome-plated
ESA – Cu copper-plated, lacquered
ESA – Cm copper-plated, matt brushed, lacquered
ESA – Br bronzed, lacquered
ESA – Bd dark-bronzed, lacquered
ESA – RAL individually according to RAL card
Additional USA 110 V conversion kit available on request



ELAS

Table lamp

Designed by: Florian Schulz

Height: 50 - 70 cm (19.7" - 27.6") adjustable
Shade: metal Ø 28 cm (11")
Lampholder: E26, max. 100 W
Bulb: 1 x E26 LED á 1055 Lumen, 10,5 W incl.
2700° K, 11 W \triangleq 75 W, dimmable
Electric wire: 2,5 m (8.2 ft)
Dimmer: on cord
Base material: brass

ELAS – Ms polished, lacquered
ELAS – Mt matt brushed, lacquered
ELAS – Ni nickel-plated
ELAS – Nm nickel-plated, matt brushed
ELAS – Cr chrome-plated
ELAS – Cu copper-plated, lacquered
ELAS – Cm copper-plated, matt brushed, lacquered
ELAS – Br bronzed, lacquered
ELAS – Bd dark-bronzed, lacquered
ELAS – RAL individually according to RAL card

ELAS S

Table lamp

Designed by: Florian Schulz

Height: 50 - 70 cm (19.7" - 27.6") adjustable
Shade: Silk* Ø 28 cm (11")
Lampholder: E26, max. 100 W
Bulb: 1 x E26 LED á 1055 Lumen, 10,5 W incl.
2700° K, 11 W \triangleq 75 W, dimmable
Electric wire: 2,5 m (8.2 ft)
Dimmer: on cord
Base material: brass

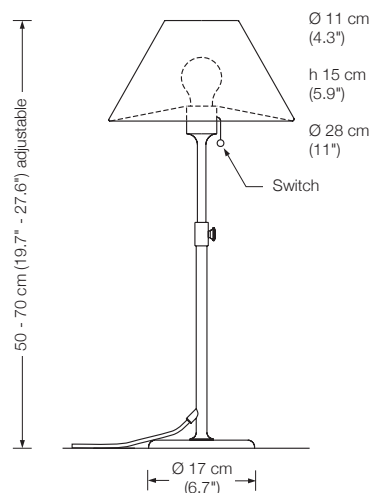
ELAS S – Ms polished, lacquered
ELAS S – Mt matt brushed, lacquered
ELAS S – Ni nickel-plated
ELAS S – Nm nickel-plated, matt brushed
ELAS S – Cr chrome-plated
ELAS S – Cu copper-plated, lacquered
ELAS S – Cm copper-plated, matt brushed, lacquered
ELAS S – Br bronzed, lacquered
ELAS S – Bd dark-bronzed, lacquered
ELAS S – RAL individually according to RAL card

* Silk according to sample card VS Manufaktur.

With all silk shades, you have the option of sending us your own fabric and we will manufacture your individual shade in our in-house manufactory.

If the shade is made from a different material: Surcharge according to effort.

Fabric required: 50 x 80 cm (19.7" x 31.5")



Additional USA 110 V conversion kit
(ELAS / ELAS S) available on request
110 V bulbs not included



TOLED

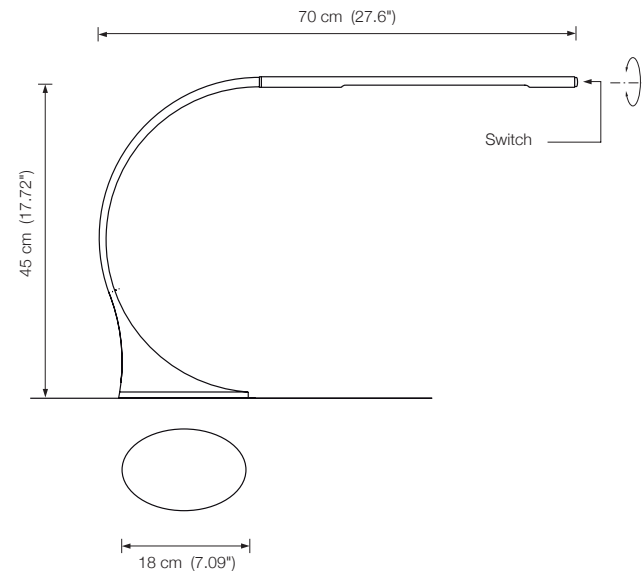
Desk lamp

Designed by: Florian Schulz

Height: 45 cm (17.7")
Width: 70 cm (27.6")
Shade: rotatable
Bulb: 1 x LED 150 (approx. 6 Watt) incl. exchangeable approx. 600 Lumen

Color temperature: warmwhite 2700 K
Color rendering: > 90 Ra
Electric wire: 2,5 m (8.2 ft)
Base material: brass

TOLED – Ms polished, lacquered
TOLED – Mt matt brushed, lacquered
TOLED – Ni nickel-plated
TOLED – Nm nickel-plated, matt brushed
TOLED – Cr chrome-plated
TOLED – Cu copper-plated, lacquered
TOLED – Cm copper-plated, matt brushed, lacquered
TOLED – Br bronzed, lacquered
TOLED – Bd dark-bronzed, lacquered
TOLED – RAL individually according to RAL card
Additional USA 110 V conversion kit available on request



PIN T *Discontinued Model. Only while stocks last.*

Desk lamp

Designed by: Florian Schulz

Height: 45 cm (17.7")

Width: 70 cm (27.6")

Shade: rotatable

Bulb: 1 x LED 150 (approx. 6 Watt) incl.
exchangeable
approx. 600 Lumen

Color temperature: warmwhite 2700 K

Color rendering: > 90 Ra

Electric wire: 3 m (9.8 ft)

Base material: brass

PIN T – Ms polished, lacquered

PIN T – Mt matt brushed, lacquered

PIN T – Ni nickel-plated

PIN T – Nm nickel-plated, matt brushed

PIN T – Cr chrome-plated

PIN T – Cu copper-plated, lacquered

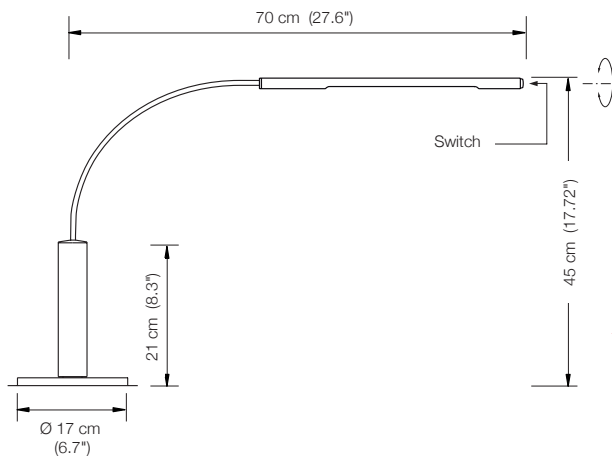
PIN T – Cm copper-plated, matt brushed, lacquered

PIN T – Br bronzed, lacquered

PIN T – Bd dark-bronzed, lacquered

PIN T – RAL individually according to RAL card

Additional USA 110 V conversion kit available on request





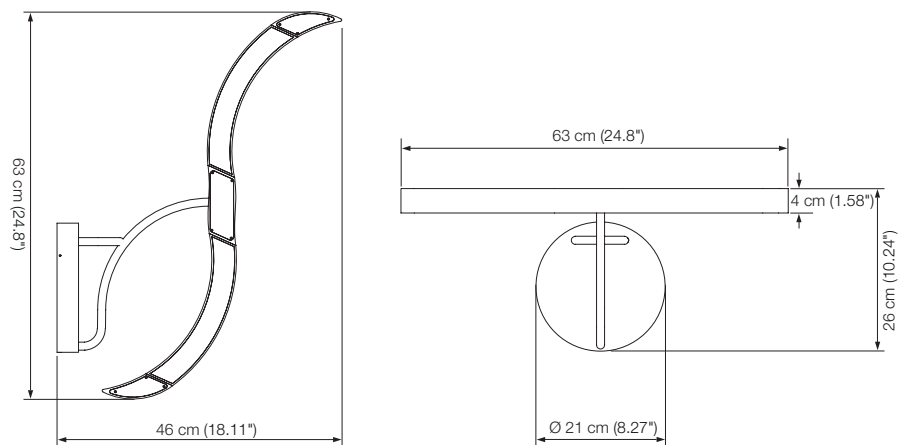
SERPENTI-W

Wall lamp

Designed by: Jens Schump

Height: 26 – 63 cm (10.24" – 24.8") adjustable
Shade: 63 cm (24.8") long, 30 cm (11.81") wide
Shade profile: 4 x 4 cm (1.58" x 1.58")
Width: from 21 cm (8.27") to 63 cm (24.8") adjustable
Depth: 46 cm (18.11")
Illuminant: LED, 20.3 W, with glare protection, approx. 3000 Lumen
Color rendering: > 90 Ra
Dimmer: sweep sensor in the middle of the shade
Cable: 3 m (9.85 ft) black (*standard*)
Base material: brass

SERPENTI-W – Ms polished, lacquered
SERPENTI-W – Mt matt brushed, lacquered
SERPENTI-W – Ni nickel-plated
SERPENTI-W – Nm nickel-plated, matt brushed
SERPENTI-W – Cr chrome-plated
SERPENTI-W – Cu copper-plated, lacquered
SERPENTI-W – Cm copper-plated, matt brushed, lacquered
SERPENTI-W – Br bronzed, lacquered
SERPENTI-W – Bd dark-bronzed, lacquered
SERPENTI-W – RAL individually according to RAL card





PIN W dim

Wall lamp

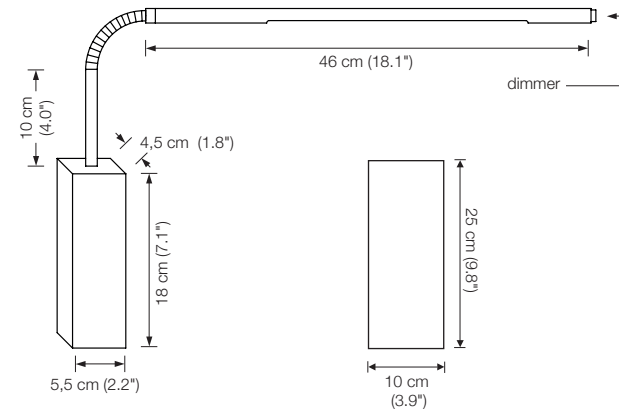
Designed by: Jens Schump

Height: 35 cm (13.8")
 Width: 60 cm (23.6")
 Bulb: 1 x LED-Line 150 (approx. 8,4 Watt) incl. exchangeable approx. 840 Lumen

Color temperature: warmwhite 2700 K
 Color rendering: > 90 Ra
 Dimmer: built in
 Base material: brass

PIN W dim – Ms polished, lacquered
 PIN W dim – Mt matt brushed, lacquered
 PIN W dim – Ni nickel-plated
 PIN W dim – Nm nickel-plated, matt brushed
 PIN W dim – Cr chrome-plated
 PIN W dim – Cu copper-plated, lacquered
 PIN W dim – Cm copper-plated, matt brushed, lacquered
 PIN W dim – Br bronzed, lacquered
 PIN W dim – Bd dark-bronzed, lacquered
 PIN W dim – RAL individually according to RAL card

Backplate rectangular 25 x 10 cm (9.8" x 3.9") standard or 25 x 12 cm (9.8" x 4.7") - please indicate with order
 4" junction box: not covered



NOSTALGIA-W

Wall lamp

Designed by: Jens Schump

Height: 31 cm (12.2")

Width: 19 cm (7.5")

Shade*: Silk

Colour: white or black

Shape: conical or straight

Lampholder: 1 x E26, max. 150 W

Bulb: 1 x E26 LED á 1055 Lumen,
7,8 W, 2700 °K, dimmable

Dimmer: possible via house installation

Base material: brass

NOSTALGIA-W – Ms polished, lacquered

NOSTALGIA-W – Mt matt brushed, lacquered

NOSTALGIA-W – Ni nickel-plated

NOSTALGIA-W – Nm nickel-plated, matt brushed

NOSTALGIA-W – Cr chrome-plated

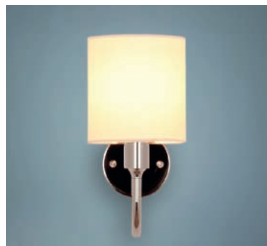
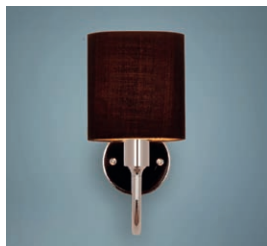
NOSTALGIA-W – Cu copper-plated, lacquered

NOSTALGIA-W – Cm copper-plated, matt brushed, lacquered

NOSTALGIA-W – Br bronzed, lacquered

NOSTALGIA-W – Bd dark-bronzed, lacquered

NOSTALGIA-W – RAL individually according to RAL card



* Please specify the desired shape when ordering.

Silk according to sample card VS Manufaktur.

With all silk shades, you have the option of sending us your own fabric and we will manufacture your individual shade in our in-house manufactory.

If the shade is made from a different material: Surcharge according to effort.

Fabric required: 50 x 25 cm (19.7" x 9.8")

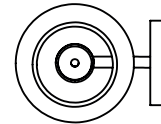
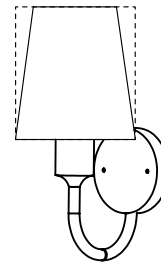
NOSTALGIA W:

4" junction box: not covered

Backplate Ø 12 cm (4.72")

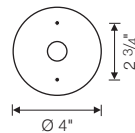
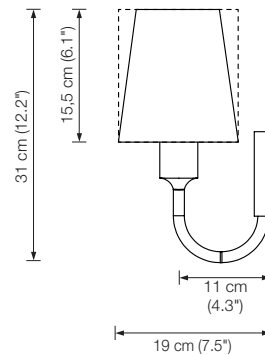
Additional 110 V conversion kit available on request

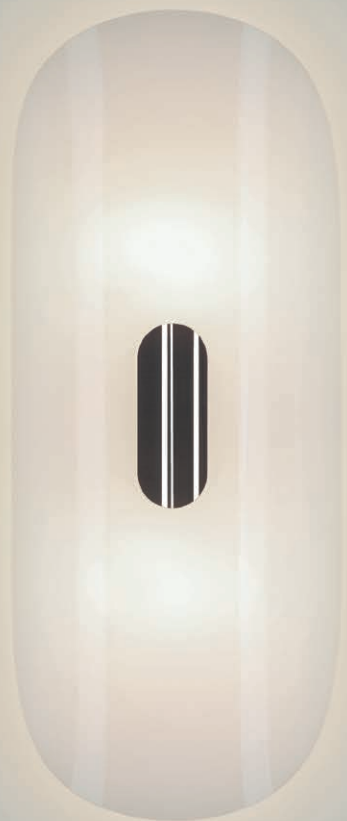
110 V bulbs not included



Conical Shade:
Ø 14 cm, h 15,5 cm, Ø 10 cm
(Ø 5.5", h 6.1", Ø 3.9")

Cylindrical Shade:
Ø 14 cm, h 15,5 cm
(Ø 5.5", h 6.1")





GEA

Wall lamp

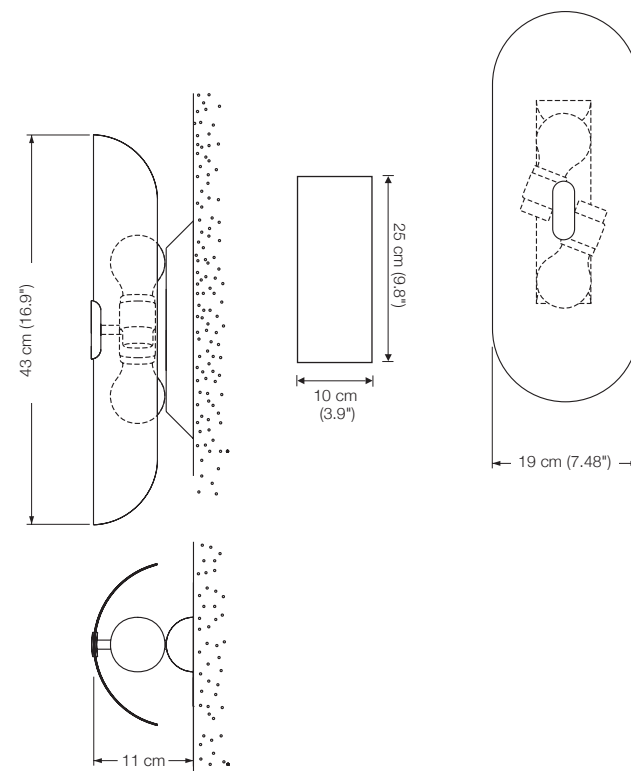
Designed by: Florian Schulz

Height: 43 cm (16.9")
 Shade: glass white-opal
 Lampholder: 2 x E26, max. 2 x 100 W
 Bulb: 2 x E26 LED á 1055 Lumen, 10,5 W incl., dimmable
 Dimmer: possible via house installation
 Base material: brass

GEA – Ms polished, lacquered
 GEA – Mt matt brushed, lacquered
 GEA – Ni nickel-plated
 GEA – Nm nickel-plated, matt brushed
 GEA – Cr chrome-plated
 GEA – Cu copper-plated, lacquered
 GEA – Cm copper-plated, matt brushed, lacquered
 GEA – Br bronzed, lacquered
 GEA – Bd dark-bronzed, lacquered
 GEA – RAL individually according to RAL card

Additional USA 110 V conversion kit available on request
 110 V bulbs not included

Backplate rectangular 25 x 10 cm (9.8" x 3.9") standard
 or 25 x 12 cm (9.8" x 4.7") - please indicate with order
 4" junction box: not covered



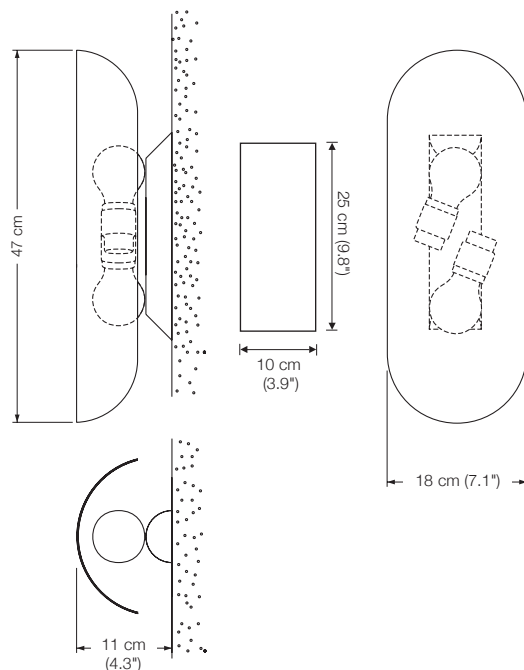
ALIA

Wall lamp, indirect light

Designed by: Florian Schulz

Height: 47 cm (18.5")
Shade: metal
Lampholder: 2 x E26, max. 2 x 100 W
Bulb: 2 x E26 LED á 1055 Lumen, 10,5 W incl., dimmable
Dimmer: possible via house installation
Base material: brass

ALIA – Ms polished, lacquered
ALIA – Mt matt brushed, lacquered
ALIA – Ni nickel-plated
ALIA – Nm nickel-plated, matt brushed
ALIA – Cr chrome-plated
ALIA – Cu copper-plated, lacquered
ALIA – Cm copper-plated, matt brushed, lacquered
ALIA – Br bronzed, lacquered
ALIA – Bd dark-bronzed, lacquered
ALIA – RAL individually according to RAL card



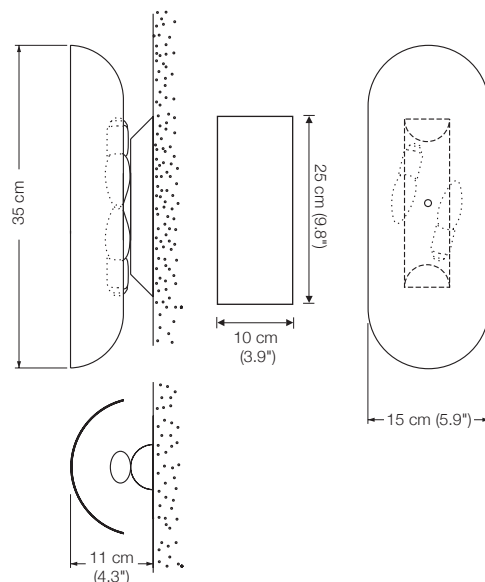
ALEA

Wall lamp, indirect light

Designed by: Florian Schulz + Jens Schump

Height: 35 cm (13.8")
Shade: metal
Lampholder: 2 x E12, max. 60W
Bulb: 2 x E12 LED á 806 Lumen, 2700° K, 8 W incl., dimmable
Dimmer: possible via house installation
Base material: brass

ALEA – Ms polished, lacquered
ALEA – Mt matt brushed, lacquered
ALEA – Ni nickel-plated
ALEA – Nm nickel-plated, matt brushed
ALEA – Cr chrome-plated
ALEA – Cu copper-plated, lacquered
ALEA – Cm copper-plated, matt brushed, lacquered
ALEA – Br bronzed, lacquered
ALEA – Bd dark-bronzed, lacquered
ALEA – RAL individually according to RAL card



Additional USA 110 V conversion kit (ALIA / ALEA) available on request
110 V bulbs not included

4" junction box: not covered

Backplate rectangular 25 x 10 cm (9.8" x 3.9") standard
or 25 x 12 cm (9.8" x 4.7") - please indicate with order





BEO

Wall and Stairway lamp
direct and indirect light
glass diffuser top and bottom

Designed by: Florian Schulz

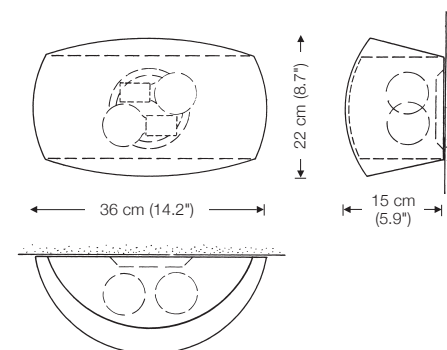
Width: 36 cm (14.2")
 Lampholder: 2 x E26, max. 2 x 100 W
 Bulb: 2 x E26 LED á 1055 Lumen, 10,5 W incl., dimmable
 2700° K, 11 W $\hat{=}$ 75 W
 Dimmer: possible via house installation
 Base material: brass

BEO – Ms polished, lacquered
 BEO – Mt matt brushed, lacquered
 BEO – Ni nickel-plated
 BEO – Nm nickel-plated, matt brushed
 BEO – Cr chrome-plated
 BEO – Cu copper-plated, lacquered
 BEO – Cm copper-plated, matt brushed, lacquered
 BEO – Br bronzed, lacquered
 BEO – Bd dark-bronzed, lacquered
 BEO – RAL individually according to RAL card

Additional USA 110 V conversion kit available on request

4" junction box: covered

110 V bulbs not included



WED

Wall lamp

Designed by: Florian Schulz

Width: 40 cm (15.7")

Lampholder: GU5.3

Bulb: 1 x GU5.3 incl.
approx. 660 Lumen

Color temperature: warmwhite 2700 K

Color rendering: > 90 Ra

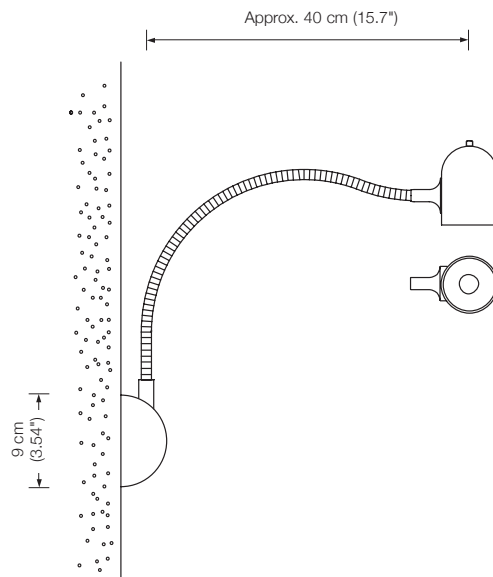
Base material: brass

WED – Ms polished, lacquered
WED – Mt matt brushed, lacquered
WED – Ni nickel-plated
WED – Nm nickel-plated, matt brushed
WED – Cr chrome-plated
WED – Cu copper-plated, lacquered
WED – Cm copper-plated, matt brushed, lacquered
WED – Br bronzed, lacquered
WED – Bd dark-bronzed, lacquered
WED – RAL individually according to RAL card

Additional USA 110 V conversion kit available on request

4" junction box: not covered

Backplate Ø 12 cm (4.72")



ERA 33

Wall lamp

Designed by: Florian Schulz
Width: 33 cm (13")
bottom glass diffuser
Lampholder: 2 x G9, max. 2 x 75 W / 230 V
Bulb: 2 x G9, 60 W incl.
Base material: brass

ERA 33 – Ms polished, lacquered
ERA 33 – Mt matt brushed, lacquered
ERA 33 – Ni nickel-plated
ERA 33 – Nm nickel-plated, matt brushed
ERA 33 – Cr chrome-plated
ERA 33 – Cu copper-plated, lacquered
ERA 33 – Cm copper-plated, matt brushed, lacquered
ERA 33 – Br bronzed, lacquered
ERA 33 – Bd dark-bronzed, lacquered
ERA 33 – RAL individually according to RAL card

Optional: Additional top glass diffuser

Please indicate with order

Additional USA 110 V conversion kit available on request

4" junction box: not covered

110 V bulbs not included

ERA 40

Wall lamp

Designed by: Florian Schulz
Width: 40 cm (15.7")
bottom glass diffuser
Lampholder: E26, max. 100 W
Bulb: 1 x E26, 14,5 W incl.
Base material: brass

ERA 40 – Ms polished, lacquered
ERA 40 – Mt matt brushed, lacquered
ERA 40 – Ni nickel-plated
ERA 40 – Nm nickel-plated, matt brushed
ERA 40 – Cr chrome-plated
ERA 40 – Cu copper-plated, lacquered
ERA 40 – Cm copper-plated, matt brushed, lacquered
ERA 40 – Br bronzed, lacquered
ERA 40 – Bd dark-bronzed, lacquered
ERA 40 – RAL individually according to RAL card

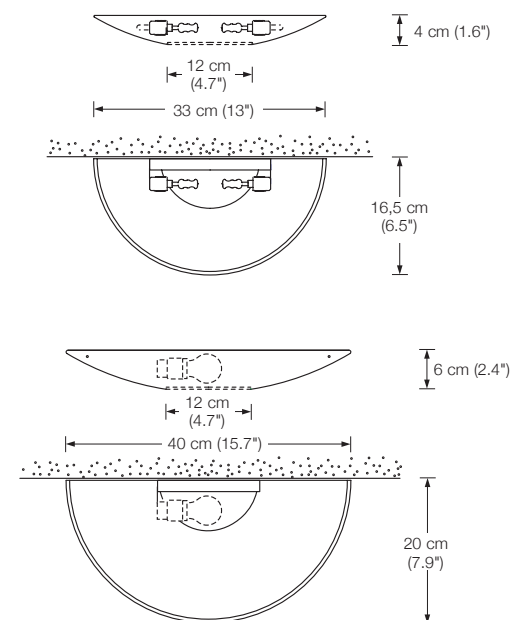
Optional: Additional top glass diffuser

Please indicate with order

Additional USA 110 V conversion kit available on request

4" junction box: not covered

110 V bulbs not included



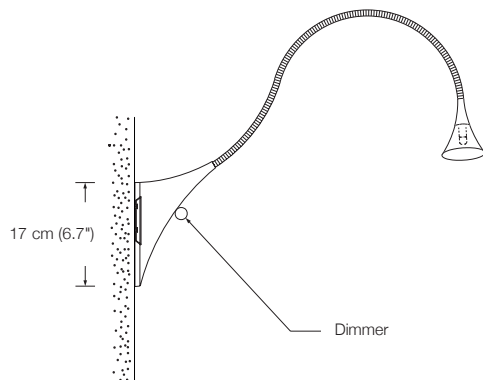
VAO

Wall lamp,
flexible and specially reinforced metal arm

Designed by: Florian Schulz

Height: approx. 44 cm (17.3")
Shade: TEFLON white, Ø 7 cm (2.8")
Lampholder: GY6.35, max. 20 W / 12 V
Bulb: 1 x G6 incl., 35 W $\hat{=}$ 50 W, dimmable
Dimmer: built in
Base material: brass

VAO – Ms polished, lacquered
VAO – Mt matt brushed, lacquered
VAO – Ni nickel-plated
VAO – Nm nickel-plated, matt brushed
VAO – Cr chrome-plated
VAO – Cu copper-plated, lacquered
VAO – Cm copper-plated, matt brushed, lacquered
VAO – Br bronzed, lacquered
VAO – Bd dark-bronzed, lacquered
VAO – RAL individually according to RAL card
Additional USA 110 V conversion kit available on request
4" junction box: covered



NOSTALGIA-D

Ceiling lamp

Designed by: Jens Schump

Height: ca. 92 cm (36.2")

Shade*: 2 x Silk

Colour: white or black

Shape: conical or straight

Lampholder: 2 x E26, max. 150 W

Bulb: 2 x E26 LED á 1055 Lumen,
7,8 W, 2700 °K, dimmable

Dimmer: possible via house installation

Base material: brass

NOSTALGIA-D – Ms polished, lacquered

NOSTALGIA-D – Mt matt brushed, lacquered

NOSTALGIA-D – Ni nickel-plated

NOSTALGIA-D – Nm nickel-plated, matt brushed

NOSTALGIA-D – Cr chrome-plated

NOSTALGIA-D – Cu copper-plated, lacquered

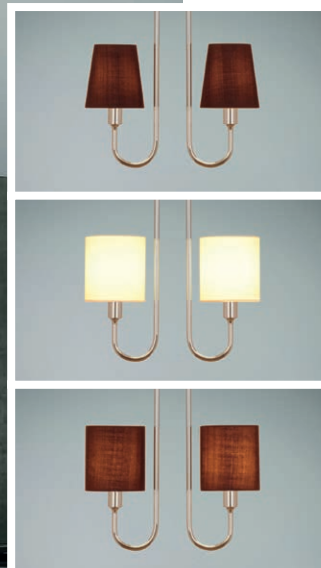
NOSTALGIA-D – Cm copper-plated, matt brushed, lacquered

NOSTALGIA-D – Br bronzed, lacquered

NOSTALGIA-D – Bd dark-bronzed, lacquered

NOSTALGIA-D – RAL individually according to RAL card

Additional USA 110 V conversion kit available on request
4" junction box: covered



* Please specify the desired shape when ordering.
Silk according to sample card VS Manufaktur.

**With all silk shades, you have the option of
sending us your own fabric and we will
manufacture your individual shade in
our in-house manufactory.**

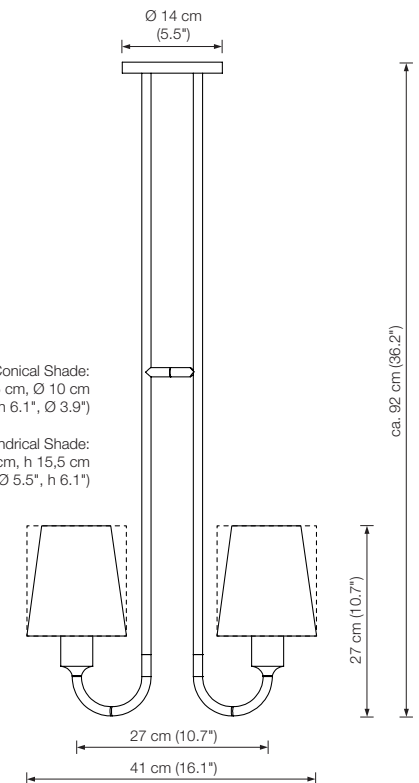
If the shade is made from a different material:

Surcharge according to effort.

Fabric required: 50 x 25 cm (19.7" x 9.8")

Conical Shade:
Ø 14 cm, h 15,5 cm, Ø 10 cm
(Ø 5.5", h 6.1", Ø 3.9")

Cylindrical Shade:
Ø 14 cm, h 15,5 cm
(Ø 5.5", h 6.1")



EREA 55

Ceiling lamp

Designed by: Florian Schulz

Height: standard 60 cm (23.6")
or on request
(min. 40 cm (15.7") to max. 200 cm (78.7"))
Shade: glass white-opal Ø 55 cm (21.7")
Lampholder: 6 x E12, max. 6 x 60 W
Dimmer: possible via house installation
Base material: brass

EREA 55 – Ms polished, lacquered
EREA 55 – Mt matt brushed, lacquered
EREA 55 – Ni nickel-plated
EREA 55 – Nm nickel-plated, matt brushed
EREA 55 – Cr chrome-plated
EREA 55 – Cu copper-plated, lacquered
EREA 55 – Cm copper-plated, matt brushed, lacquered
EREA 55 – Br bronzed, lacquered
EREA 55 – Bd dark-bronzed, lacquered
EREA 55 – RAL individually according to RAL card

EREA 80

Ceiling lamp

Designed by: Florian Schulz

Height: standard 100 cm (39.4")
or on request
(min. 60 cm (23.6") to max. 200 cm (78.7"))
Shade: glass white-opal Ø 80 cm (31.5")
Lampholder: 6 x E26, max. 6 x 205 W
Dimmer: possible via house installation
Base material: brass

EREA 80 – Ms polished, lacquered
EREA 80 – Mt matt brushed, lacquered
EREA 80 – Ni nickel-plated
EREA 80 – Nm nickel-plated, matt brushed
EREA 80 – Cr chrome-plated
EREA 80 – Cu copper-plated, lacquered
EREA 80 – Cm copper-plated, matt brushed, lacquered
EREA 80 – Br bronzed, lacquered
EREA 80 – Bd dark-bronzed, lacquered
EREA 80 – RAL individually according to RAL card

Additional 110 V conversion kit (EREA 55 / 80) available on request
4" junction box: not covered
Backplate Ø 12 cm (4.72")
110 V bulbs not included





SOLA 80

Ceiling lamp
direct and indirect light
bottom glass diffuser

Designed by: Florian Schulz

Height: 36 - 65 cm (14.2" - 25.6") adjustable
 special length on request

Shade: metal Ø 80 cm (31.5")

Lampholder: R7s, max. 500 W

Bulb: 1 x R7s incl.

Dimmer: possible via house installation

Base material: brass

SOLA 80 – Ms polished, lacquered

SOLA 80 – Mt matt brushed, lacquered

SOLA 80 – Ni nickel-plated

SOLA 80 – Nm nickel-plated, matt brushed

SOLA 80 – Cr chrome-plated

SOLA 80 – Cu copper-plated, lacquered

SOLA 80 – Cm copper-plated, matt brushed, lacquered

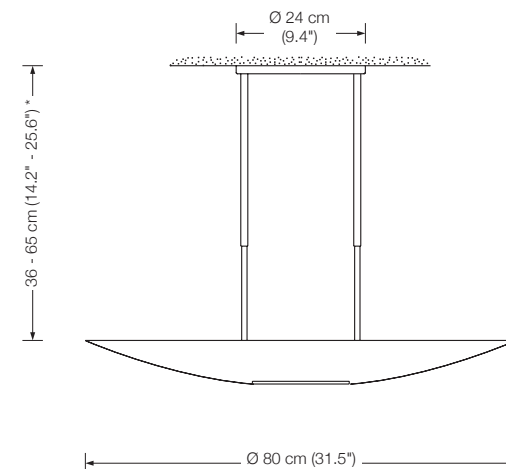
SOLA 80 – Br bronzed, lacquered

SOLA 80 – Bd dark-bronzed, lacquered

SOLA 80 – RAL individually according to RAL card

Additional USA 110 V conversion kit available on request

4" junction box: covered



SELA 55

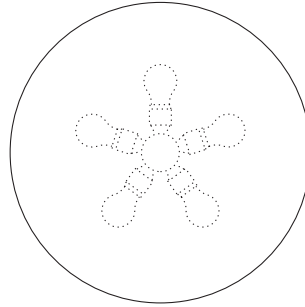
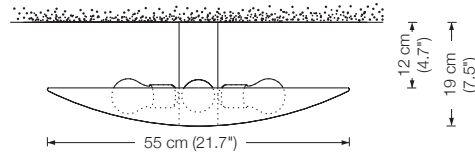
Ceiling lamp, indirect lighting

Designed by: Florian Schulz

Shade: metal Ø 55 cm (21.7")
 Lampholder: 5 x E26, max. 5 x 100 W
 Dimmer: possible via house installation
 Base material: brass

SELA 55 – Ms polished, lacquered
 SELA 55 – Mt matt brushed, lacquered
 SELA 55 – Ni nickel-plated
 SELA 55 – Nm nickel-plated, matt brushed
 SELA 55 – Cr chrome-plated
 SELA 55 – Cu copper-plated, lacquered
 SELA 55 – Cm copper-plated, matt brushed, lacquered
 SELA 55 – Br bronzed, lacquered
 SELA 55 – Bd dark-bronzed, lacquered
 SELA 55 – RAL individually according to RAL card
 By request: 5 x E26 LED-bulb (75 W)

Please indicate with order.



SELA 40

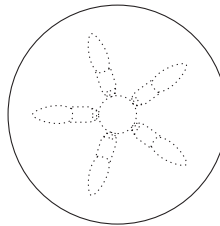
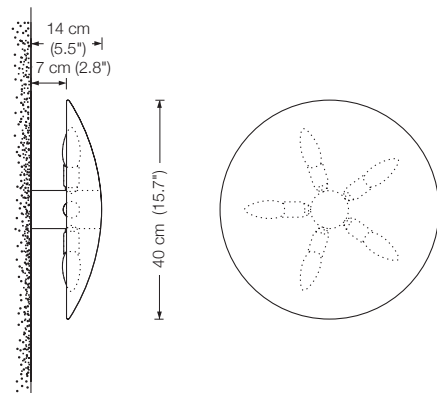
Ceiling lamp, indirect lighting

Designed by: Florian Schulz

Shade: metal Ø 40 cm (15.7")
 Lampholder: 5 x E12, max. 5 x 60 W
 Dimmer: possible via house installation
 Base material: brass

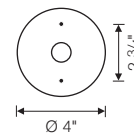
SELA 40 – Ms polished, lacquered
 SELA 40 – Mt matt brushed, lacquered
 SELA 40 – Ni nickel-plated
 SELA 40 – Nm nickel-plated, matt brushed
 SELA 40 – Cr chrome-plated
 SELA 40 – Cu copper-plated, lacquered
 SELA 40 – Cm copper-plated, matt brushed, lacquered
 SELA 40 – Br bronzed, lacquered
 SELA 40 – Bd dark-bronzed, lacquered
 SELA 40 – RAL individually according to RAL card
 By request: 5 x E12 LED-bulb (60 W)

Please indicate with order.



Special length (distance to wall / ceiling) on request.

SELA 40 / 55:
 4" junction box: not covered
 Backplate Ø 12 cm (4.72")
 Additional 110 V conversion kit
 available on request
 110 V bulbs not included





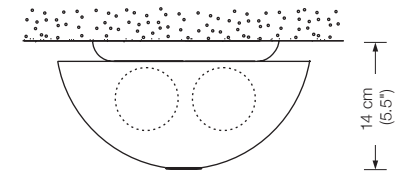
OLA 25

Ceiling lamp

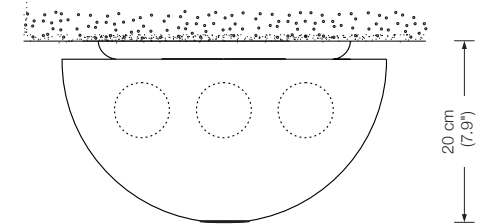
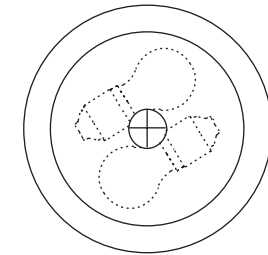
Designed by: Florian Schulz

Height: 14 cm (5.5")
 Shade: glass white-opal, Ø 25 cm (9.8")
 Lampholder: 2 x E26, max. 2 x 100 W
 Bulb: 2 x E26 LED á 1055 Lumen, 10,5 W incl., dimmable
 2700° K, 10,5 W $\hat{=}$ 75 W
 Dimmer: possible via house installation
 Base material: brass

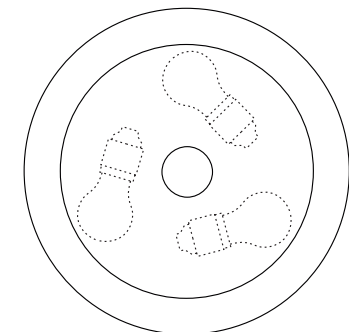
OLA 25 – Ms polished, lacquered
 OLA 25 – Mt matt brushed, lacquered
 OLA 25 – Ni nickel-plated
 OLA 25 – Nm nickel-plated, matt brushed
 OLA 25 – Cr chrome-plated
 OLA 25 – Cu copper-plated, lacquered
 OLA 25 – Cm copper-plated, matt brushed, lacquered
 OLA 25 – Br bronzed, lacquered
 OLA 25 – Bd dark-bronzed, lacquered
 OLA 25 – RAL individually according to RAL card
 Additional USA 110 V conversion kit available on request
 4" junction box: covered
 110 V bulbs not included



Ø 25 cm (9.8")



Ø 36 cm (14.2")



OLA 36

Ceiling lamp

Designed by: Florian Schulz

Height: 20 cm (7.9")
 Shade: glass white-opal, Ø 36 cm (14.2")
 Lampholder: 3 x E26, max. 3 x 100 W
 Bulb: 3 x E26 LED á 1055 Lumen, 10,5 W incl., dimmable
 2700° K, 10,5 W $\hat{=}$ 75 W
 Dimmer: possible via house installation
 Base material: brass

OLA 36 – Ms polished, lacquered
 OLA 36 – Mt matt brushed, lacquered
 OLA 36 – Ni nickel-plated
 OLA 36 – Nm nickel-plated, matt brushed
 OLA 36 – Cr chrome-plated
 OLA 36 – Cu copper-plated, lacquered
 OLA 36 – Cm copper-plated, matt brushed, lacquered
 OLA 36 – Br bronzed, lacquered
 OLA 36 – Bd dark-bronzed, lacquered
 OLA 36 – RAL individually according to RAL card
 Additional USA 110 V conversion kit available on request
 4" junction box: covered
 110 V bulbs not included

GELA

Designed by: Florian Schulz
 Shade: glass white-opal
 Dimmer: possible via house installation
 Base material: brass

GELA 40 Wall-/ Ceiling lamp, Shade Ø 40 cm (15.7")

Lampholder: 5 x E12, max. 5 x 60 W

GELA 40 – Ms polished, lacquered
 GELA 40 – Mt matt brushed, lacquered
 GELA 40 – Ni nickel-plated
 GELA 40 – Nm nickel-plated, matt brushed
 GELA 40 – Cr chrome-plated
 GELA 40 – Cu copper-plated, lacquered
 GELA 40 – Cm copper-plated, matt brushed, lacquered
 GELA 40 – Br bronzed, lacquered
 GELA 40 – Bd dark-bronzed, lacquered
 GELA 40 – RAL individually according to RAL card
 By request: 5 x E12 LED-bulb (60 W)

Please indicate with order.

GELA 55 Ceiling lamp, Shade Ø 55 cm (21.7")

Lampholder: 5 x E26, max. 5 x 100 W

GELA 55 – Ms polished, lacquered
 GELA 55 – Mt matt brushed, lacquered
 GELA 55 – Ni nickel-plated
 GELA 55 – Nm nickel-plated, matt brushed
 GELA 55 – Cr chrome-plated
 GELA 55 – Cu copper-plated, lacquered
 GELA 55 – Cm copper-plated, matt brushed, lacquered
 GELA 55 – Br bronzed, lacquered
 GELA 55 – Bd dark-bronzed, lacquered
 GELA 55 – RAL individually according to RAL card
 By request: 5 x E26 LED-bulb (75 W)

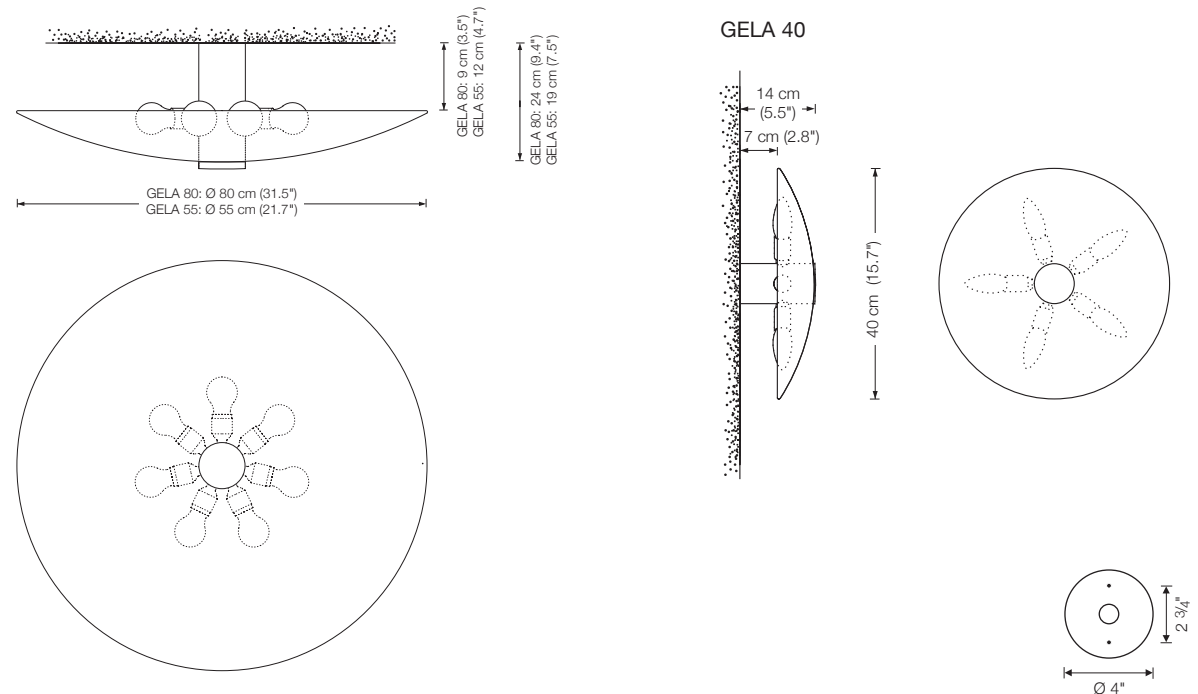
Please indicate with order.

GELA 80 Ceiling lamp, Shade Ø 80 cm (31.5")

Lampholder: 7 x E26, max. 7 x 100 W

GELA 80 – Ms polished, lacquered
 GELA 80 – Mt matt brushed, lacquered
 GELA 80 – Ni nickel-plated
 GELA 80 – Nm nickel-plated, matt brushed
 GELA 80 – Cr chrome-plated
 GELA 80 – Cu copper-plated, lacquered
 GELA 80 – Cm copper-plated, matt brushed, lacquered
 GELA 80 – Br bronzed, lacquered
 GELA 80 – Bd dark-bronzed, lacquered
 GELA 80 – RAL individually according to RAL card
 By request: 7 x E26 LED-bulb (75 W)

Please indicate with order.



Special length (distance to wall / ceiling) on request.

GELA 40 / 55 / 80: 4" junction box: not covered
 Backplate Ø 12 cm (4.72")
 Additional 110 V conversion kit available on request
 110 V bulbs not included



DUOS 36 P – Pendant

Pendant lamp

Canopy: Ø 12 cm (4.7")
 Shade: metal Ø 36 cm (14.2")
 Lampholder: E26, max. 100 W

DUOS 36 P – Ms polished, lacquered
 DUOS 36 P – Mt matt brushed, lacquered
 DUOS 36 P – Ni nickel-plated
 DUOS 36 P – Nm nickel-plated, matt brushed
 DUOS 36 P – Cr chrome-plated
 DUOS 36 P – Cu copper-plated, lacquered
 DUOS 36 P – Cm copper-plated, matt brushed, lacquered
 DUOS 36 P – Br bronzed, lacquered
 DUOS 36 P – Bd dark-bronzed, lacquered
 DUOS 36 P – RAL individually according to RAL card
 Additional USA 110 V conversion kit available on request
 4" junction box: covered
 110 V bulbs not included



DUOS 36 M – Center pull

Adjustable pendant lamp

Canopy: Ø 9 cm (3.5")
 Shade: metal Ø 36 cm (14.2")
 Lampholder: E26, max. 100 W

DUOS 36 M – Ms polished, lacquered
 DUOS 36 M – Mt matt brushed, lacquered
 DUOS 36 M – Ni nickel-plated
 DUOS 36 M – Nm nickel-plated, matt brushed
 DUOS 36 M – Cr chrome-plated
 DUOS 36 M – Cu copper-plated, lacquered
 DUOS 36 M – Cm copper-plated, matt brushed, lacquered
 DUOS 36 M – Br bronzed, lacquered
 DUOS 36 M – Bd dark-bronzed, lacquered
 DUOS 36 M – RAL individually according to RAL card
 Additional USA 110 V conversion kit available on request
 4" junction box: covered by US canopy Ø 12 cm (4.7")
 110 V bulbs not included



DUOS 36 S – Side pull

Adjustable pendant lamp

Canopy: Ø 7 cm (2.8")
 Shade: metal Ø 36 cm (14.2")
 Lampholder: E26, max. 100 W

DUOS 36 S – Ms polished, lacquered
 DUOS 36 S – Mt matt brushed, lacquered
 DUOS 36 S – Ni nickel-plated
 DUOS 36 S – Nm nickel-plated, matt brushed
 DUOS 36 S – Cr chrome-plated
 DUOS 36 S – Cu copper-plated, lacquered
 DUOS 36 S – Cm copper-plated, matt brushed, lacquered
 DUOS 36 S – Br bronzed, lacquered
 DUOS 36 S – Bd dark-bronzed, lacquered
 DUOS 36 S – RAL individually according to RAL card
 Additional USA 110 V conversion kit available on request
 4" junction box: covered by US canopy Ø 12 cm (4.7")
 110 V bulbs not included



DUOS 36 R – Straight pull ceiling mounted

Adjustable pendant lamp

Shade: metal Ø 36 cm (14.2")
Lampholder: E26, max. 100 W
Dimmer: built in

DUOS 36 R – Ms polished, lacquered
DUOS 36 R – Mt matt brushed, lacquered
DUOS 36 R – Ni nickel-plated
DUOS 36 R – Nm nickel-plated, matt brushed
DUOS 36 R – Cr chrome-plated
DUOS 36 R – Cu copper-plated, lacquered
DUOS 36 R – Cm copper-plated, matt brushed, lacquered
DUOS 36 R – Br bronzed, lacquered
DUOS 36 R – Bd dark-bronzed, lacquered
DUOS 36 R – RAL individually according to RAL card
Additional USA 110 V conversion kit available on request
4" junction box: not necessary
110 V bulbs not included



DUOS 36 D – Double pull

Adjustable pendant lamp

Canopy: Ø 7 cm (2.8")
Shade: metal Ø 36 cm (14.2")
Lampholder: 2 x E26, max. 2 x 100 W

DUOS 36 D – Ms polished, lacquered
DUOS 36 D – Mt matt brushed, lacquered
DUOS 36 D – Ni nickel-plated
DUOS 36 D – Nm nickel-plated, matt brushed
DUOS 36 D – Cr chrome-plated
DUOS 36 D – Cu copper-plated, lacquered
DUOS 36 D – Cm copper-plated, matt brushed, lacquered
DUOS 36 D – Br bronzed, lacquered
DUOS 36 D – Bd dark-bronzed, lacquered
DUOS 36 D – RAL individually according to RAL card
Additional USA 110 V conversion kit available on request
4" junction box: covered by US canopy Ø 12 cm (4.7")
110 V bulbs not included



Designed by: Florian Schulz + Jens Schump
Base material: brass
Textile cable black.
On request: white, brown, gold, silver.





POSA 36 P – Pendant

Pendant lamp

Canopy: Ø 12 cm (4.7")
 Shade: glass white-opal, Ø 36 cm (14.2")
 Lampholder: E26, max. 100 W

POSA 36 P – Ms polished, lacquered
 POSA 36 P – Mt matt brushed, lacquered
 POSA 36 P – Ni nickel-plated
 POSA 36 P – Nm nickel-plated, matt brushed
 POSA 36 P – Cr chrome-plated
 POSA 36 P – Cu copper-plated, lacquered
 POSA 36 P – Cm copper-plated, matt brushed, lacquered
 POSA 36 P – Br bronzed, lacquered
 POSA 36 P – Bd dark-bronzed, lacquered
 POSA 36 P – RAL individually according to RAL card
 Additional USA 110 V conversion kit available on request
 4" junction box: covered
 110 V bulbs not included



POSA 36 M – Center pull

Adjustable pendant lamp

Canopy: Ø 9 cm (3.5")
 Shade: glass white-opal, Ø 36 cm (14.2")
 Lampholder: E26, max. 100 W

POSA 36 M – Ms polished, lacquered
 POSA 36 M – Mt matt brushed, lacquered
 POSA 36 M – Ni nickel-plated
 POSA 36 M – Nm nickel-plated, matt brushed
 POSA 36 M – Cr chrome-plated
 POSA 36 M – Cu copper-plated, lacquered
 POSA 36 M – Cm copper-plated, matt brushed, lacquered
 POSA 36 M – Br bronzed, lacquered
 POSA 36 M – Bd dark-bronzed, lacquered
 POSA 36 M – RAL individually according to RAL card
 Additional USA 110 V conversion kit available on request
 4" junction box: covered by US canopy Ø 12 cm (4.7")
 110 V bulbs not included



POSA 36 S – Side pull

Adjustable pendant lamp

Canopy: Ø 7 cm (2.8")
 Shade: glass white-opal, Ø 36 cm (14.2")
 Lampholder: E26, max. 100 W

POSA 36 S – Ms polished, lacquered
 POSA 36 S – Mt matt brushed, lacquered
 POSA 36 S – Ni nickel-plated
 POSA 36 S – Nm nickel-plated, matt brushed
 POSA 36 S – Cr chrome-plated
 POSA 36 S – Cu copper-plated, lacquered
 POSA 36 S – Cm copper-plated, matt brushed, lacquered
 POSA 36 S – Br bronzed, lacquered
 POSA 36 S – Bd dark-bronzed, lacquered
 POSA 36 S – RAL individually according to RAL card
 Additional USA 110 V conversion kit available on request
 4" junction box: covered by US canopy Ø 12 cm (4.7")
 110 V bulbs not included



POSA 36 R – Straight pull ceiling mounted

Adjustable pendant lamp

Shade: glass white-opal, Ø 36 cm (14.2")
Lampholder: E26, max. 100 W
Dimmer: built in

POSA 36 R – Ms polished, lacquered
POSA 36 R – Mt matt brushed, lacquered
POSA 36 R – N nickel-plated
POSA 36 R – Nm nickel-plated, matt brushed
POSA 36 R – Cr chrome-plated
POSA 36 R – Cu copper-plated, lacquered
POSA 36 R – Cm copper-plated, matt brushed, lacquered
POSA 36 R – Br bronzed, lacquered
POSA 36 R – Bd dark-bronzed, lacquered
POSA 36 R – RAL individually according to RAL card
Additional USA 110 V conversion kit available on request
4" junction box: not necessary
110 V bulbs not included



POSA 36 D – Double pull

Adjustable pendant lamp

Canopy: Ø 7 cm (2.8")
Shade: glass white-opal, Ø 36 cm (14.2")
Lampholder: 2 x E26, max. 2 x 100 W

POSA 36 D – Ms polished, lacquered
POSA 36 D – Mt matt brushed, lacquered
POSA 36 D – Ni nickel-plated
POSA 36 D – Nm nickel-plated, matt brushed
POSA 36 D – Cr chrome-plated
POSA 36 D – Cu copper-plated, lacquered
POSA 36 D – Cm copper-plated, matt brushed, lacquered
POSA 36 D – Br bronzed, lacquered
POSA 36 D – Bd dark-bronzed, lacquered
POSA 36 D – RAL individually according to RAL card
Additional USA 110 V conversion kit available on request
4" junction box: covered by US canopy Ø 12 cm (4.7")
110 V bulbs not included



Designed by: Florian Schulz + Jens Schump

Base material: brass

Textile cable black.

On request: white, brown, gold, silver.



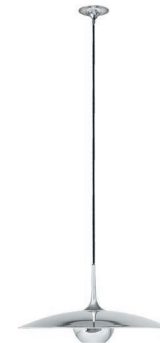


ONOS 55 P – Pendant

Pendant lamp

Canopy: Ø 12 cm (4.7")
 Shade: metal Ø 55 cm (21.7"), metal light diffuser
 Lampholder: E26, max. 100 W

ONOS 55 P – Ms polished, lacquered
 ONOS 55 P – Mt matt brushed, lacquered
 ONOS 55 P – Ni nickel-plated
 ONOS 55 P – Nm nickel-plated, matt brushed
 ONOS 55 P – Cr chrome-plated
 ONOS 55 P – Cu copper-plated, lacquered
 ONOS 55 P – Cm copper-plated, matt brushed, lacquered
 ONOS 55 P – Br bronzed, lacquered
 ONOS 55 P – Bd dark-bronzed, lacquered
 ONOS 55 P – RAL individually according to RAL card
 Additional USA 110 V conversion kit available on request
 4" junction box: covered
 110 V bulbs not included

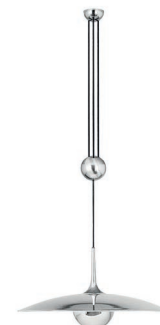


ONOS 55 M – Center pull

Adjustable pendant lamp

Canopy: Ø 9 cm (3.5")
 Shade: metal Ø 55 cm (21.7"), metal light diffuser
 Lampholder: E26, max. 100 W

ONOS 55 M – Ms polished, lacquered
 ONOS 55 M – Mt matt brushed, lacquered
 ONOS 55 M – Ni nickel-plated
 ONOS 55 M – Nm nickel-plated, matt brushed
 ONOS 55 M – Cr chrome-plated
 ONOS 55 M – Cu copper-plated, lacquered
 ONOS 55 M – Cm copper-plated, matt brushed, lacquered
 ONOS 55 M – Br bronzed, lacquered
 ONOS 55 M – Bd dark-bronzed, lacquered
 ONOS 55 M – RAL individually according to RAL card
 Additional USA 110 V conversion kit available on request
 4" junction box: covered by US canopy Ø 12 cm (4.7")
 110 V bulbs not included



ONOS 55 S – Side pull

Adjustable pendant lamp

Canopy: Ø 7 cm (2.8")
 Shade: metal Ø 55 cm (21.7"), metal light diffuser
 Lampholder: E26, max. 100 W

ONOS 55 S – Ms polished, lacquered
 ONOS 55 S – Mt matt brushed, lacquered
 ONOS 55 S – Ni nickel-plated
 ONOS 55 S – Nm nickel-plated, matt brushed
 ONOS 55 S – Cr chrome-plated
 ONOS 55 S – Cu copper-plated, lacquered
 ONOS 55 S – Cm copper-plated, matt brushed, lacquered
 ONOS 55 S – Br bronzed, lacquered
 ONOS 55 S – Bd dark-bronzed, lacquered
 ONOS 55 S – RAL individually according to RAL card
 Additional USA 110 V conversion kit available on request
 4" junction box: covered by US canopy Ø 12 cm (4.7")
 110 V bulbs not included



ONOS 55 R – Straight pull ceiling mounter

Adjustable pendant lamp

Shade: metal Ø 55 cm (21.7"), metal light diffuser
Lampholder: E26, max. 100 W
Dimmer: built in

ONOS 55 R – Ms polished, lacquered
ONOS 55 R – Mt matt brushed, lacquered
ONOS 55 R – Ni nickel-plated
ONOS 55 R – Nm nickel-plated, matt brushed
ONOS 55 R – Cr chrome-plated
ONOS 55 R – Cu copper-plated, lacquered
ONOS 55 R – Cm copper-plated, matt brushed, lacquered
ONOS 55 R – Br bronzed, lacquered
ONOS 55 R – Bd dark-bronzed, lacquered
ONOS 55 R – RAL individually according to RAL card
Additional USA 110 V conversion kit available on request
4" junction box: not necessary
110 V bulbs not included



ONOS 55 D – Double pull

Adjustable pendant lamp

Canopy: Ø 7 cm (2.8")
Shade: metal Ø 55 cm (21.7"), metal light diffuser
Lampholder: 2 x E26, max. 2 x 100 W

ONOS 55 D – Ms polished, lacquered
ONOS 55 D – Mt matt brushed, lacquered
ONOS 55 D – Ni nickel-plated
ONOS 55 D – Nm nickel-plated, matt brushed
ONOS 55 D – Cr chrome-plated
ONOS 55 D – Cu copper-plated, lacquered
ONOS 55 D – Cm copper-plated, matt brushed, lacquered
ONOS 55 D – Br bronzed, lacquered
ONOS 55 D – Bd dark-bronzed, lacquered
ONOS 55 D – RAL individually according to RAL card
Additional USA 110 V conversion kit available on request
4" junction box: covered by US canopy Ø 12 cm (4.7")
110 V bulbs not included



Designed by: Florian Schulz + Jens Schump

Base material: brass

Textile cable black.

On request: white, brown, gold, silver.





ONOS 40 P – Pendant

Pendant lamp

Canopy: Ø 12 cm (4.7")
 Shade: metal Ø 40 cm (15.7"), metal light diffuser
 Lampholder: E26, max. 100 W

ONOS 40 P – Ms polished, lacquered
 ONOS 40 P – Mt matt brushed, lacquered
 ONOS 40 P – Ni nickel-plated
 ONOS 40 P – Nm nickel-plated, matt brushed
 ONOS 40 P – Cr chrome-plated
 ONOS 40 P – Cu copper-plated, lacquered
 ONOS 40 P – Cm copper-plated, matt brushed, lacquered
 ONOS 40 P – Br bronzed, lacquered
 ONOS 40 P – Bd dark-bronzed, lacquered
 ONOS 40 P – RAL individually according to RAL card
 Additional USA 110 V conversion kit available on request
 4" junction box: covered
 110 V bulbs not included



ONOS 40 M – Center pull

Adjustable pendant lamp

Canopy: Ø 9 cm (3.5")
 Shade: metal Ø 40 cm (15.7"), metal light diffuser
 Lampholder: E26, max. 100 W

ONOS 40 M – Ms polished, lacquered
 ONOS 40 M – Mt matt brushed, lacquered
 ONOS 40 M – Ni nickel-plated
 ONOS 40 M – Nm nickel-plated, matt brushed
 ONOS 40 M – Cr chrome-plated
 ONOS 40 M – Cu copper-plated, lacquered
 ONOS 40 M – Cm copper-plated, matt brushed, lacquered
 ONOS 40 M – Br bronzed, lacquered
 ONOS 40 M – Bd dark-bronzed, lacquered
 ONOS 40 M – RAL individually according to RAL card
 Additional USA 110 V conversion kit available on request
 4" junction box: covered by US canopy Ø 12 cm (4.7")
 110 V bulbs not included



ONOS 40 S – Side pull

Adjustable pendant lamp

Canopy: Ø 7 cm (2.8")
 Shade: metal Ø 40 cm (15.7"), metal light diffuser
 Lampholder: E26, max. 100 W

ONOS 40 S – Ms polished, lacquered
 ONOS 40 S – Mt matt brushed, lacquered
 ONOS 40 S – Ni nickel-plated
 ONOS 40 S – Nm nickel-plated, matt brushed
 ONOS 40 S – Cr chrome-plated
 ONOS 40 S – Cu copper-plated, lacquered
 ONOS 40 S – Cm copper-plated, matt brushed, lacquered
 ONOS 40 S – Br bronzed, lacquered
 ONOS 40 S – Bd dark-bronzed, lacquered
 ONOS 40 S – RAL individually according to RAL card
 Additional USA 110 V conversion kit available on request
 4" junction box: covered by US canopy Ø 12 cm (4.7")
 110 V bulbs not included



ONOS 40 R – Straight pull ceiling mounted

Adjustable pendant lamp

Shade: metal Ø 40 cm (15.7"), metal light diffuser
Lampholder: E26, max. 100 W
Dimmer: built in

ONOS 40 R – Ms polished, lacquered
ONOS 40 R – Mt matt brushed, lacquered
ONOS 40 R – Ni nickel-plated
ONOS 40 R – Nm nickel-plated, matt brushed
ONOS 40 R – Cr chrome-plated
ONOS 40 R – Cu copper-plated, lacquered
ONOS 40 R – Cm copper-plated, matt brushed, lacquered
ONOS 40 R – Br bronzed, lacquered
ONOS 40 R – Bd dark-bronzed, lacquered
ONOS 40 R – RAL individually according to RAL card
Additional USA 110 V conversion kit available on request
4" junction box: not necessary
110 V bulbs not included

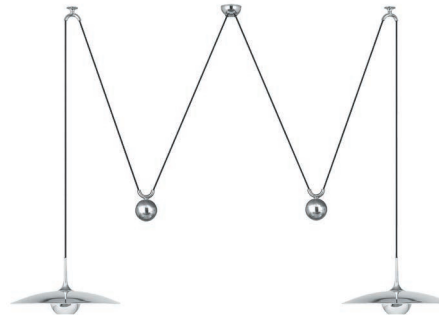


ONOS 40 D – Double pull

Adjustable pendant lamp

Canopy: Ø 7 cm (2.8")
Shade: metal Ø 40 cm (15.7"), metal light diffuser
Lampholder: 2 x E26, max. 2 x 100 W

ONOS 40 D – Ms polished, lacquered
ONOS 40 D – Mt matt brushed, lacquered
ONOS 40 D – Ni nickel-plated
ONOS 40 D – Nm nickel-plated, matt brushed
ONOS 40 D – Cr chrome-plated
ONOS 40 D – Cu copper-plated, lacquered
ONOS 40 D – Cm copper-plated, matt brushed, lacquered
ONOS 40 D – Br bronzed, lacquered
ONOS 40 D – Bd dark-bronzed, lacquered
ONOS 40 D – RAL individually according to RAL card
Additional USA 110 V conversion kit available on request
4" junction box: covered by US canopy Ø 12 cm (4.7")
110 V bulbs not included



Designed by: Florian Schulz + Jens Schump

Base material: brass

Textile cable black.

On request: white, brown, gold, silver.





SERPENTI

Pendant lamp

Designed by: Jens Schump

Height: adjustable 1,5 m – 2,0 m (5 – 6.5 ft)
 Corpus: 200 cm long, 30 cm wide, 4 cm high
 (78.74" x 11.81" x 1.6")

Canopy: 40 cm long, 22 cm wide, 4.2 cm high
 (15.75" x 8.66" x 1.65")

Illuminant: LED (86.8 W) with glare protection,
 approx. 12300 Lumen

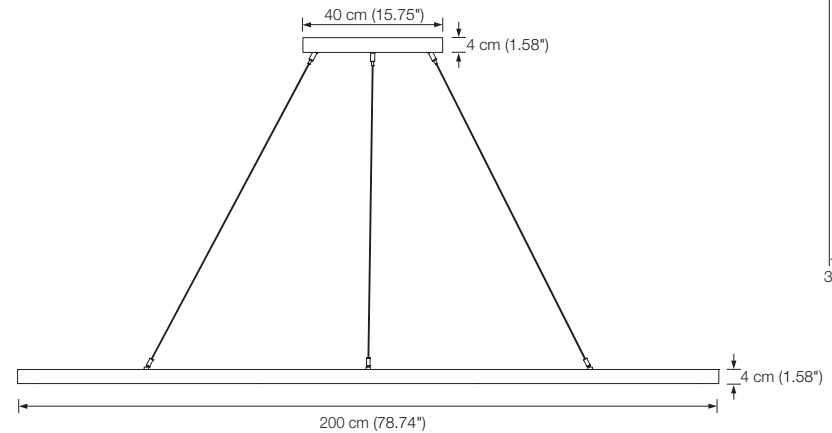
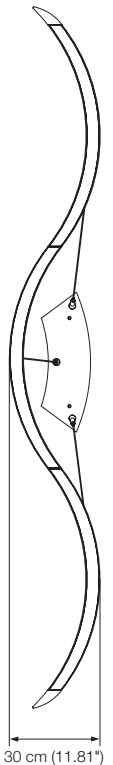
Color temperature: warmwhite 2700 °K (standard)

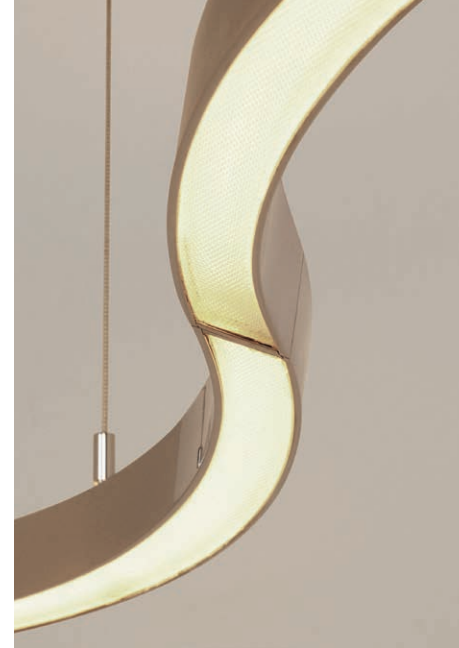
Color rendering: > 90 Ra

Dimmer: Sweep Sensor at both ends

Base material: brass

- SERPENTI – Ms polished, lacquered
- SERPENTI – Mt matt brushed, lacquered
- SERPENTI – Ni nickel-plated
- SERPENTI – Nm nickel-plated, matt brushed
- SERPENTI – Cr chrome-plated
- SERPENTI – Cu copper-plated, lacquered
- SERPENTI – Cm copper-plated, matt brushed, lacquered
- SERPENTI – Br bronzed, lacquered
- SERPENTI – Bd dark-bronzed, lacquered
- SERPENTI – RAL individually according to RAL card







P80-1

Pendant lamp, height adjustable

Designed by: Jens Schump

Height: from 65 cm (25.6") – 135 cm (53.15") (standard)*
 Canopy: Ø 6 cm (2.36")
 Shade: Ø 8 cm (3.15"), 16,5 cm (6.5") high
 Bulb: 1 x LED (20 Watt) incl., 2000 Lumen
 Color temperature: Dim-to-Warm from 3100° – 1850 °K
 Color rendering: > 90 Ra
 Dimmer: 110 Volt/USA: not dimmable
 Base material: brass

P80-1 – Ms polished, lacquered
 P80-1 – Mt matt brushed, lacquered
 P80-1 – Ni nickel-plated
 P80-1 – Nm nickel-plated, matt brushed
 P80-1 – Cr chrome-plated
 P80-1 – Cu copper-plated, lacquered
 P80-1 – Cm copper-plated, matt brushed, lacquered
 P80-1 – Br bronzed, lacquered
 P80-1 – Bd dark-bronzed, lacquered
 P80-1 – RAL individually according to RAL card

P80-3

Triple pendant lamp, individually height-adjustable

Designed by: Jens Schump

Height: 3 x from 65 cm (25.6") – 135 cm (53.15") (standard)*
 Canopy: 132 cm (51.97") long, 8 cm (3.15") wide, 4 cm (1.57") high
 Shade: 3 x Ø 8 cm (3.15"), 16,5 cm (6.5") high
 Bulb: 3 x LED (3 x 20 Watt) incl., 6000 Lumen
 Color temperature: Dim-to-Warm from 3100° – 1850 °K
 Color rendering: > 90 Ra
 Dimmer: 110 Volt/USA: not dimmable
 Base material: brass

P80-3 – Ms polished, lacquered
 P80-3 – Mt matt brushed, lacquered
 P80-3 – Ni nickel-plated
 P80-3 – Nm nickel-plated, matt brushed
 P80-3 – Cr chrome-plated
 P80-3 – Cu copper-plated, lacquered
 P80-3 – Cm copper-plated, matt brushed, lacquered
 P80-3 – Br bronzed, lacquered
 P80-3 – Bd dark-bronzed, lacquered
 P80-3 – RAL individually according to RAL card



Height adjustment
without tools!

* Other suspension heights on request.

Additional USA 110 V conversion kit available on request
4" junction box: covered





PEN 100

**Pendant lamp, adjustable height
both light elements can be rotated (360°)**

Designed by: Florian Schulz

Length: 100 cm (39.4")
Canopy: 20 x 20 x 5 cm (7.9" x 7.9" x 2.0")
Shade: Ø 2,1 cm (0.8")
Height: 80 to 140 cm (31.5" to 55.1") adjustable (*standard*)*
Bulb: 2 x LED 150 (approx. 12 watts in total) incl.
exchangeable, approx. 1200 Lumen

Color temperature: warmwhite 2700 K

Color rendering: > 90 Ra

Dimmer: possible via house installation

Base material: brass

PEN 100 – Ms polished, lacquered

PEN 100 – Mt matt brushed, lacquered

PEN 100 – Ni nickel-plated

PEN 100 – Nm nickel-plated, matt brushed

PEN 100 – Cr chrome-plated

PEN 100 – Cu copper-plated, lacquered

PEN 100 – Cm copper-plated, matt brushed, lacquered

PEN 100 – Br bronzed, lacquered

PEN 100 – Bd dark-bronzed, lacquered

PEN 100 – RAL individually according to RAL card

Additional USA 110 V conversion kit available on request

4" junction box: covered

PEN 100 / 121 / 142:

* Other possible suspensions (*Please indicate with order*):

Overall height 105 – 200 cm (41.3" – 78.7")

Overall height 130 – 250 cm (51.2" – 98.4")

Other pendulum lengths possible on request.

PEN 121

Pendant lamp, adjustable height · outer light elements can be rotated (360°)

Designed by: Florian Schulz

Length: 121 cm (47.6")
Canopy: 46,5 x 5 x 5 cm (18.3" x 2.0" x 2.0")
Shade: Ø 2,1 cm (0.8")
Height: 80 to 140 cm (31.5" to 55.1") adjustable (*standard*)*
Bulb: 3 x LED 150 (approx. 24 watts in total) incl.
exchangeable, approx. 2200 Lumen
Color temperature: warmwhite 2700 K
Color rendering: > 90 Ra
Dimmer: possible via house installation
Base material: brass

PEN 121 – Ms polished, lacquered
PEN 121 – Mt matt brushed, lacquered
PEN 121 – Ni nickel-plated
PEN 121 – Nm nickel-plated, matt brushed
PEN 121 – Cr chrome-plated
PEN 121 – Cu copper-plated, lacquered
PEN 121 – Cm copper-plated, matt brushed, lacquered
PEN 121 – Br bronzed, lacquered
PEN 121 – Bd dark-bronzed, lacquered
PEN 121 – RAL individually according to RAL card

PEN 142

Pendant lamp, adjustable height · all light elements can be rotated (360°)

Designed by: Florian Schulz

Length: 142 cm (55.9")
Canopy: 53 x 5 x 5 cm (20.9" x 2.0" x 2.0")
Shade: Ø 2,1 cm (0.8")
Height: 80 to 140 cm (31.5" to 55.1") adjustable (*standard*)*
Bulb: 3 x LED 150 (approx. 24 watts in total) incl.
exchangeable, approx. 2200 Lumen
Color temperature: warmwhite 2700 K
Color rendering: > 90 Ra
Dimmer: possible via house installation
Base material: brass

PEN 142 – Ms polished, lacquered
PEN 142 – Mt matt brushed, lacquered
PEN 142 – Ni nickel-plated
PEN 142 – Nm nickel-plated, matt brushed
PEN 142 – Cr chrome-plated
PEN 142 – Cu copper-plated, lacquered
PEN 142 – Cm copper-plated, matt brushed, lacquered
PEN 142 – Br bronzed, lacquered
PEN 142 – Bd dark-bronzed, lacquered
PEN 142 – RAL individually according to RAL card

PEN 121 / 142:

Additional USA 110 V conversion kit available on request
including a rectangular backplate of 51 x 12 cm (20.1" x 4.7")

4" junction box: not covered





VS Manufaktur
Wahlwiesenstr. 1
71711 Steinheim an der Murr
Germany
Tel. +49 (0)7144 889 110 5
Fax +49 (0)7144 889 110 7

www.vs-manufaktur.de
info@vs-manufaktur.de

All rights reserved.
Specifications and design subject to change without notice.