



VS manufaktur  
licht + objekt

Collection 2025

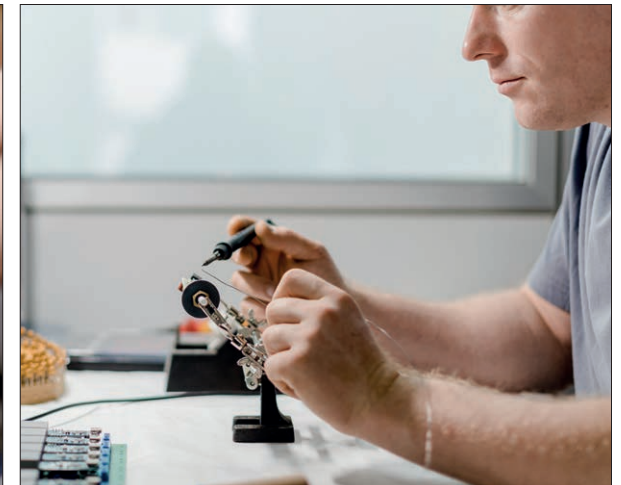
## IN OUR HOUSE WE PRODUCE 2 LIGHTING COLLECTIONS.



The light fixtures of the **VS Manufaktur collection** display a combination of timeless, classic design and modern technical factors – including longevity, quality and stable value.

The classics of the well-known **Florian Schulz models** will continue to be manufactured in the usual quality and the design will remain the same. Technology and operation have been partially modernized.

**Our lights are produced by hand in the Swabian manufactory,  
with a selected 10 person team of experienced craftsmen.**



Every light is almost a uniquely handcrafted product and designed for longevity.

# Collection 2025

With immediate effect, only the models specified in this list are available.  
The technical data in this price list shall apply exclusively.

## Alphabetical index

	Page		Page		Page
ALEA.....	53	MYOS T.....	19	TAU.....	38
ALIA.....	53	NOSTALGIA-D.....	58	TES.....	44
BEO.....	54	NOSTALGIA-S.....	25	TOA.....	37
BLOC.....	57	NOSTALGIA-T.....	36	TOLED.....	46
<b>new 2024:</b>		NOSTALGIA-W.....	47	TOPAN.....	39
BullEYE-DW.....	8 – 9	OLA.....	62	VAO.....	51
BullEYE-S.....	22	ONE 58.....	10	VAYO.....	15
BullEYE-T.....	34 – 35	ONE 80.....	11	WED.....	55
		ONOS 40.....	70 – 71	YON.....	30
		ONOS 55.....	68 – 69	YON G.....	30
CERVANTES.....	31	ORA.....	40	YON T.....	41
DROP.....	24	OVA.....	12		
DUOS 36.....	64 – 65	OVETTE.....	13		
ELAS.....	43	P80.....	74 – 75		
ELAS S.....	43	PEN.....	76 – 77		
ERA.....	56	PIN d.....	23		
EREA.....	59	PIN T.....	45		
ESA.....	42	PIN W dim.....	50		
GEA.....	52	POSA 36.....	66 – 67		
GELA.....	63	SELA.....	61		
INAS.....	28	<b>new 2025:</b>			
INAS SD.....	28	SERPENTI.....	72 – 73		
LESAN M.....	29	SERPENTI-T.....	32 – 33		
LESAN S.....	29	SERPENTI-W.....	48 – 49		
LIN.....	27				
LONEA.....	16	SOLA 80.....	60		
LONEA SD.....	16	STE.....	26		
LOT.....	17	TAOS.....	20		
MESA.....	14	TAOS SD.....	21		
MYOS.....	18				

Collection	Page
Spot:.....	8 – 9
Chandeliers:.....	10 – 14
Floorlamps:.....	15 – 21
Floor Reading Lamps:.....	22 – 31
Table Lamps:.....	32 – 46
Wall Lamps:.....	47 – 57
Ceiling Lamps:.....	58 – 63
Adjustable Pendant Lamps:.....	64 – 71
Pendant Lamps:.....	72 – 77

# Information on base material, paintwork and care

## Brass base material

Brass is a wrought copper alloy and consists of copper and zinc. We use brass with a zinc content of approx. 37%. (today: CuZn37, formerly: Ms63) This gives it its yellowish-golden colour.

The surface can be polished, matt-finished or burnished. Tarnish protection is guaranteed for 1-2 years with Zapon lacquer. We are supplied with brass plates, brass tubes and solid brass as the base material. We then process this from the first saw cut to the finished luminaire, everything in our manufactory in one house.



### Ms – Polished brass, lacquered

The surface is highly polished and lacquered with Zapon lacquer. The Zapon lacquer can

only be dusted off. If a stain caused by midges or similar needs to be removed, rub carefully and lightly with a slightly moistened cotton cloth only on this spot. The Zapon lacquer can be rubbed through if too much pressure is applied. On request, we can also seal the lights with 2K lacquer for an additional charge.



### Cr - Bright chrome-plated brass

- our most durable surface  
The surface is highly polished and galvanically nickel-plated,

then chrome-plated. The appearance is blue-silver. A very insensitive surface that does not tarnish or oxidise. It can easily be cleaned with washing-up liquid. A normal polish for brass/chrome can also be used. Please only use a normal cotton cloth.



### Bd - Messing dark-bronzed, lacquered

The surface is matt brushed and then burnished. Burnishing brass is a traditional process. The brass is first heavily pre-rubbed with pumice powder (ground lava stone), rinsed with water and coloured with an alternating bath of lye and acid. The actual 'tan' sits under the tarnish layer and is rubbed out again. The process is repeated again to achieve a darker

surface. Everything is then cleaned and painted with Zapon lacquer. The surface darkens over time. Soldered joints with silver solder are visible as the silver does not take on any colour. With the darker colouring, the silver solder joints are more visible than with normal burnishing. The Zapon lacquer can only be dusted off. If a stain caused by midges or similar needs to be removed, rub carefully and lightly with a slightly moistened cotton cloth only on this spot. The Zapon lacquer can be rubbed through if too much pressure is applied. On request, we can also seal the lights with 2K lacquer for an additional charge.

## Zapon lacquer

The zapon lacquer consists mainly of collodion wool, which is a natural cellulose nitrate. Our zapon varnish is colourless and is used exclusively for oxidation protection (tarnish protection).

The collodion wool decomposes over time and the polished or matt surface darkens evenly. Under no circumstances should the Zapon lacquer be rubbed off! This will damage the structure of the lacquer and the surface becomes cloudy and blotchy. The acidity of hand perspiration or hand creams can cause the lacquer to darken may tarnish dark to black in the areas touched.

Zapon lacquer is the only lacquer that forms a clean bond with brass, copper and chrome.



### Mt - Brushed matt brass, lacquered

The surface is matt brushed and lacquered with Zapon lacquer. The Zapon lacquer can only be

dusted off. If a stain caused by midges or similar needs to be removed, rub carefully and lightly with a slightly moistened cotton cloth only on this spot. The Zapon lacquer can be rubbed through if too much pressure is applied. On request, we can also seal the lights with 2K lacquer for an additional charge.



### Cu - Copper-plated, lacquered

The surface is highly polished and then copper-plated. The surface is varnished with Zapon lacquer to protect against tarnishing. The Zapon lacquer can only be dusted off.

If a stain caused by midges or similar needs to be removed, rub carefully and lightly with a slightly moistened cotton cloth only on this spot. The Zapon lacquer can be rubbed through if too much pressure is applied. On request, we can also seal the lights with 2K lacquer for an additional charge.



### Ni - Bright nickel-plated brass

The surface is highly polished and galvanically nickel-plated. After chrome, nickel is the

hardest naturally occurring metal. Nickel is not tarnish-resistant and forms an oxide layer over time. The colour is yellow-silver, similar to Sterling silver, a soft silver shade. This can be polished up again with standard polish for brass/chrome. On request, we can also protect the nickel-plated surface with zapon lacquer against tarnishing.



### Cm - Messing copper-plated, matt brushed, lacquered

The surface is highly polished and then copper-plated. In a further

work step, the surface is matt brushed. The surface is coated with Zapon lacquer to protect against tarnishing. The Zapon lacquer can only be dusted off.

If a stain caused by midges or similar needs to be removed, rub carefully and lightly with a slightly moistened cotton cloth only on this spot. The Zapon lacquer can be rubbed through if too much pressure is applied. On request, we can also seal the lights with 2K lacquer for an additional charge.



### individually according to RAL card

On request, we can paint all luminaires according to the RAL colour chart. Glossy or matt

colours can be selected according to the living situation. Whether RAL 6009 fir green or RAL 3015 light pink in matt or glossy does not matter to us. The surfaces are treated with a 2K lacquer. This makes them very robust and resistant to external influences. The prices are listed separately for each model.

## 2K lacquering transparent

A 2-component lacquer consists of lacquer and hardener (automotive lacquer). The robust and resistant surface also seals the brass from long-term tarnishing. Adhesion to polished brass, copper or nickel is not possible without precise pre-treatment. Even skilled painters have problems with this. We have developed a solution and can now offer this. The prices are the same as the RAL prices. Surfaces can be painted glossy or matt. Light scratches can be easily removed with a polish and a cotton cloth.



### Nm - Nickel-plated brass, matt brushed

The surface is highly polished and galvanically nickel-plated. After nickel plating, the surface

is matt brushed in a further work step. Nickel is not tarnish-resistant and forms an oxide layer over time. The surface structure can only be cleaned with glass cleaner and a microfibre cloth. Polishing is not recommended, otherwise shiny spots may appear. On request and for an additional charge, we can also protect the surface with zapon varnish against tarnishing.



### Br - Messing bronzed, lacquered

The surface is matt brushed and then burnished. Burnishing brass is a traditional process.

The brass is first heavily pre-rubbed with pumice powder (ground lava stone), rinsed with water and coloured with an alternating bath of lye and acid. The actual 'tan' sits under the tarnish layer and is rubbed out again, then cleaned and painted with Zapon lacquer. The surface darkens over time.

Joints with silver solder are visible as the silver does not take on any colour. The Zapon lacquer can only be dusted off. If a stain caused by midges or similar needs to be removed, rub carefully and lightly with a slightly moistened cotton cloth only on this spot.

The Zapon lacquer can be rubbed through if too much pressure is applied. On request, we can also seal the lights with 2K lacquer for an additional charge.

# Refurbishment & special finishes

If your lamp no longer appears in its usual shine, it is possible to have it refurbished by us.

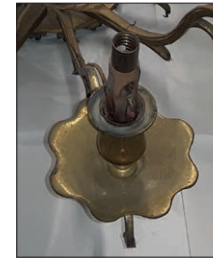
Restorations in the event of damage are also possible.

When refinishing, you can decide again whether the old surface should be restored or whether you would like a new surface or a paint finish according to the RAL card.

## Insight into our workshop



before



afterwards



## Prices for non-standard finishes

In addition to the metal finishes quoted in this price list, special finishes are available for most models:

**Mp – Solid brass polished, unlacquered** and **Ni-lack – Solid brass nickel-plated, lacquered**

The surcharge is 10%\*, calculated on the basic price of brass (– Ms) or nickel (– Ni):

\* Prices can vary depending on model and technical feasibility. Delivery times on request.

Note: The special surfaces „Mp – Solid brass polished, unlacquered“ and „Ni-lack – Solid brass, nickel-plated, lacquered“ visually look the same, such as „Ms – Solid brass polished, lacquered“ and „Ni – Solid brass, nickel-plated“.



**Mp – Brass polished, unlacquered:**

The surface is highly polished and untreated. Over time, a brownish patina develops, which can be polished up again with standard metal polish. We recommend using a soft cotton cloth for polishing. Please do not use microfibre as this will cause scratches.

Introducing our  
**NEW SERIES SERPENTI**



**SERPENTI**  
Page 72 – 73

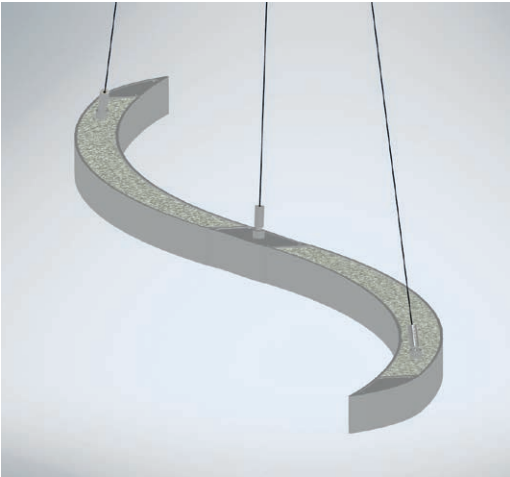


**SERPENTI-T**  
Page 32 – 33



**SERPENTI-W**  
Page 48 – 49

# Preview Summer 2025

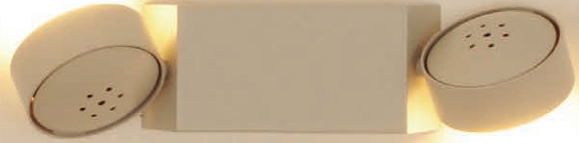


SERPENTI-DUO

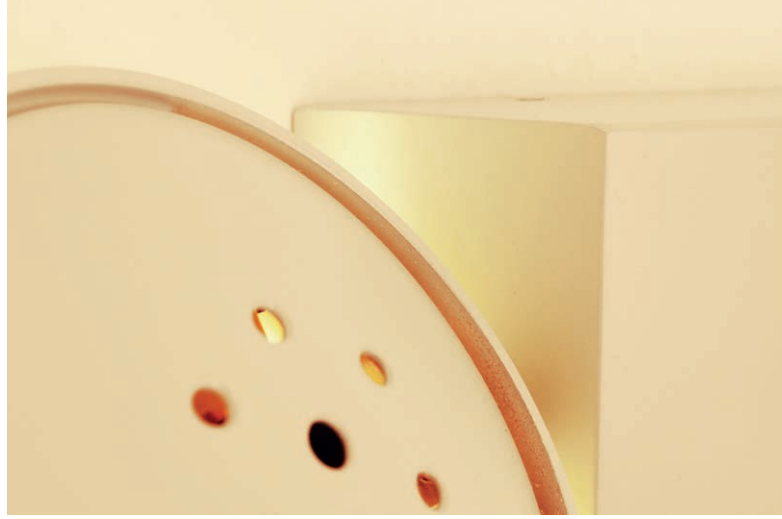
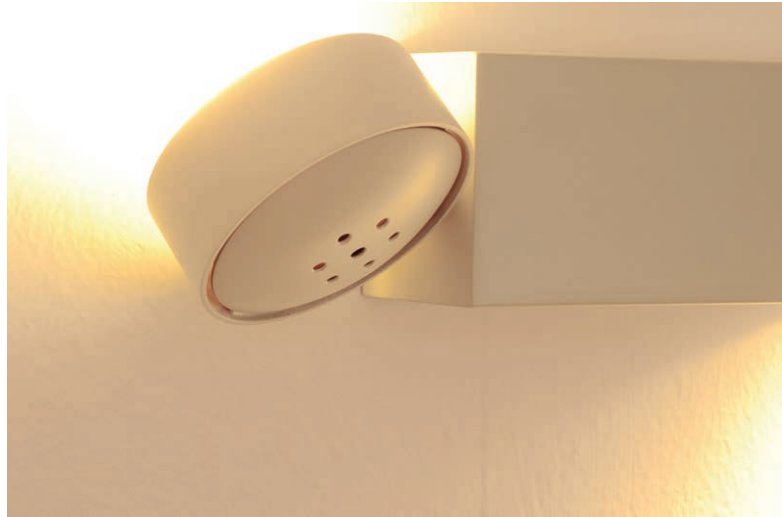


SERPENTI-B

Design meets here with functionality, usefulness and competent craftsmanship.



Special finish shown: matt grey.





## BulLEYE-DW

### Ceiling and wall spotlights

Designed by: Jens Schump

L x W x H: 32 x 7 x 9 cm (12.6" x 2.8" x 3.5")

Shade: rotatable, Ø 8 cm (3.1")

Lampholder: Osram CoB-LED, 8,7 W, 1000 Lumen  
2700 °K, dimmable

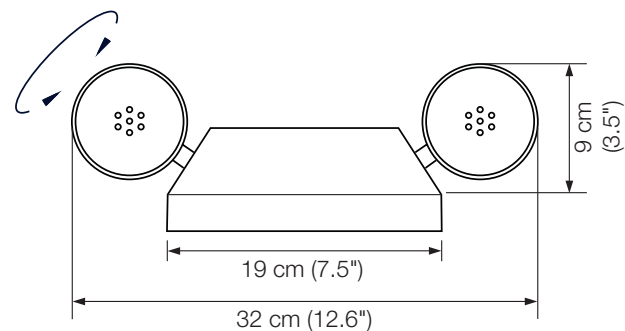
Color rendering: > 90 Ra

Dimmer: on site via leading or trailing edge\*

Base material: brass

BulLEYE-DW – Ms polished, lacquered  
BulLEYE-DW – Mt matt brushed, lacquered  
BulLEYE-DW – Ni nickel-plated  
BulLEYE-DW – Nm nickel-plated, matt brushed  
BulLEYE-DW – Cr chrome-plated  
BulLEYE-DW – Cu copper-plated, lacquered  
BulLEYE-DW – Cm copper-plated, matt brushed, lacquered  
BulLEYE-DW – Br bronzed, lacquered  
BulLEYE-DW – Bd dark-bronzed, lacquered  
BulLEYE-DW – RAL individually according to RAL card

\* Casambi-DALI Modul





## ONE 58

### LED chandelier

Designed by: Florian Schulz + Jens Schump

Height: adjustable 0.5 to 2 m (16.69" to 78.74") (standard)\*

Ø Ring: 58 cm (22.8")

Ø Canopy: 25 cm (9.8")

Bulb: LED strip (22,5 W) with diffuser,  
approx. 3660 Lumen

Color temperature: warmwhite 2700 K

Color rendering: > 96 Ra

Dimmer: possible via house installation (standard)\*\*

Base material: brass

ONE 58 – Ms polished, lacquered

ONE 58 – Mt matt brushed, lacquered

ONE 58 – Ni nickel-plated

ONE 58 – Nm nickel-plated, matt brushed

ONE 58 – Cr chrome-plated

ONE 58 – Cu copper-plated, lacquered

ONE 58 – Cm copper-plated, matt brushed, lacquered

ONE 58 – Br bronzed, lacquered

ONE 58 – Bd dark-bronzed, lacquered

ONE 58 – RAL individually according to RAL card

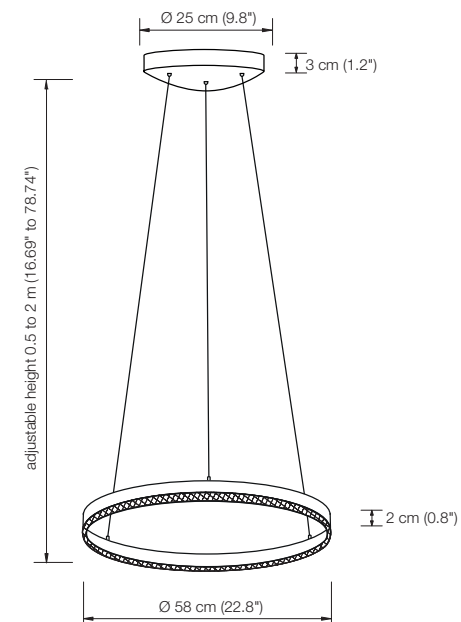
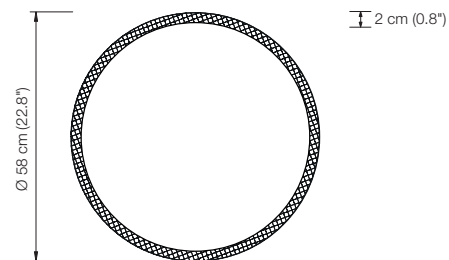
\* Other heights: available on request.

\*\* LUN-DALI 25 W or Casambi Modul

Alternatively, we recommend (without obligation)

the following dimmer brands:

- Jung 1731DD
- Gira 540100 (System 3000)
- Feller 40200
- Berker 85421100
- Busch-Jaeger 64851U
- Kopp 8455
- Eitako EUD61NPL-230V



# ONE 80

## LED chandelier

Designed by: Florian Schulz + Jens Schump

Height: adjustable 0.5 to 2 m (16.69" to 78.74") (standard)\*

Ø Ring: 80 cm (31.5")

Ø Canopy: 25 cm (9.8")

Bulb: LED strip (31,5 W) with diffuser,  
approx. 5120 Lumen

Color temperature: warmwhite 2700 K

Color rendering: > 96 Ra

Dimmer: possible via house installation (standard)\*\*

Base material: brass

ONE 80 – Ms polished, lacquered

ONE 80 – Mt matt brushed, lacquered

ONE 80 – Ni nickel-plated

ONE 80 – Nm nickel-plated, matt brushed

ONE 80 – Cr chrome-plated

ONE 80 – Cu copper-plated, lacquered

ONE 80 – Cm copper-plated, matt brushed, lacquered

ONE 80 – Br bronzed, lacquered

ONE 80 – Bd dark-bronzed, lacquered

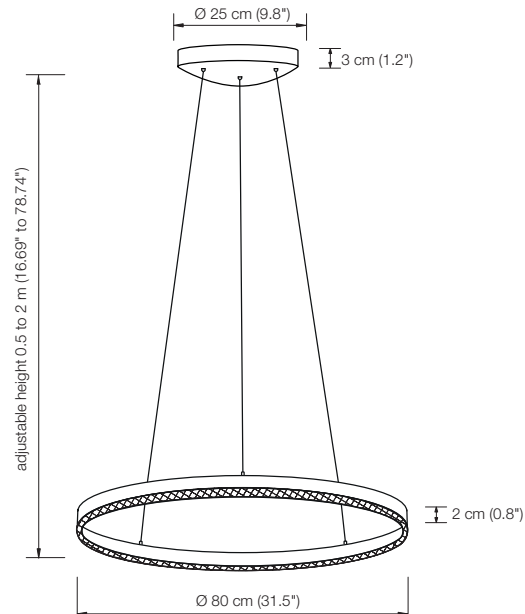
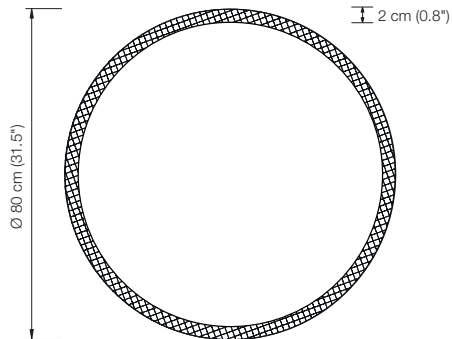
ONE 80 – RAL individually according to RAL card

\* Other heights: available on request.

\*\* LUN-DALI 25 W or Casambi Modul

Alternatively, we recommend (without obligation)  
the following dimmer brands:

- Jung 1731DD
- Gira 540100 (System 3000)
- Feller 40200
- Berker 85421100
- Busch-Jaeger 64851U
- Kopp 8455
- Eltako EUD61NPL-230V





## OVA

### LED chandelier

Designed by: Florian Schulz + Jens Schump

Height: adjustable 1.5 to 2 m (59.06" to 78.74") (standard)\*

Oval shade: 125 cm long, 47 wide, 4 cm high  
(49.2" long, 18.5" wide, 1.6" high)

Canopy: 47 cm long, 14 cm wide, 5 cm high  
(18.5" long, 5.5" wide, 2" high)

Illuminant: LED strip (115 W) with diffuser,  
approx. 16300 Lumen\*\*

Color temperature: warmwhite 2700 K\*\*\*

Color rendering: > 94 Ra

Dimmer: possible via house installation (standard)\*\*\*\*

Base material: brass

OVA – Ms	polished, lacquered
OVA – Mt	matt brushed, lacquered
OVA – Ni	nickel-plated
OVA – Nm	nickel-plated, matt brushed
OVA – Cr	chrome-plated
OVA – Cu	copper-plated, lacquered
OVA – Cm	copper-plated, matt brushed, lacquered
OVA – Br	bronzed, lacquered
OVA – Bd	dark-bronzed, lacquered
OVA – RAL	individually according to RAL card



\* Other heights possible, each with a range of 50 cm (19.7").

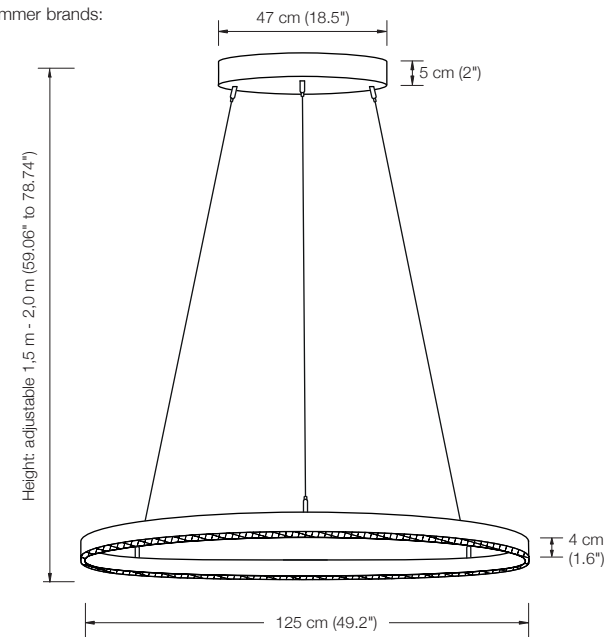
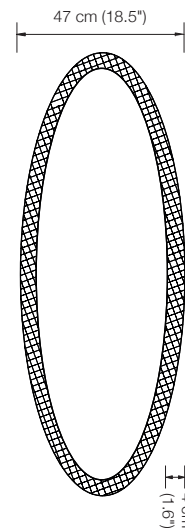
\*\* Higher lumens on request.

\*\*\* 3000K + 4000K on request.

\*\*\*\* LUN-DALI 25 W or Casambi Modul

Alternatively, we recommend (without obligation) the following dimmer brands:

- Jung 1731DD
- Gira 540100 (System 3000)
- Feller 40200
- Berker 85421100
- Busch-Jaeger 64851U
- Kopp 8455
- Eltako EUD61NPL-230V



# OVETTE

## LED chandelier

Designed by: Jens Schump

Height: adjustable 1.5 to 2 m (59.06" to 78.74") (standard)\*

Ellipse: 86 cm long, 24 cm wide, 3 cm high  
(33.9" long, 9.4" wide, 1.2" high)

Canopy: 33 cm long, 12 cm wide, 5 cm high  
(13" long, 4.7" wide, 2" high)

Illuminant: LED strip (63,4 W) with diffuser,  
approx. 9100 Lumen

Color temperature: warmwhite 2700 K\*\*

CRI: > 95 Ra

Dimmer: possible via house installation (standard)\*\*\*

Base material: brass

OVETTE – Ms polished, lacquered

OVETTE – Mt matt brushed, lacquered

OVETTE – Ni nickel-plated

OVETTE – Nm nickel-plated, matt brushed

OVETTE – Cr chrome-plated

OVETTE – Cu copper-plated, lacquered

OVETTE – Cm copper-plated, matt brushed, lacquered

OVETTE – Br bronzed, lacquered

OVETTE – Bd dark-bronzed, lacquered

OVETTE – RAL individually according to RAL card

\* Other heights possible, each with a range of 50 cm (19.7").

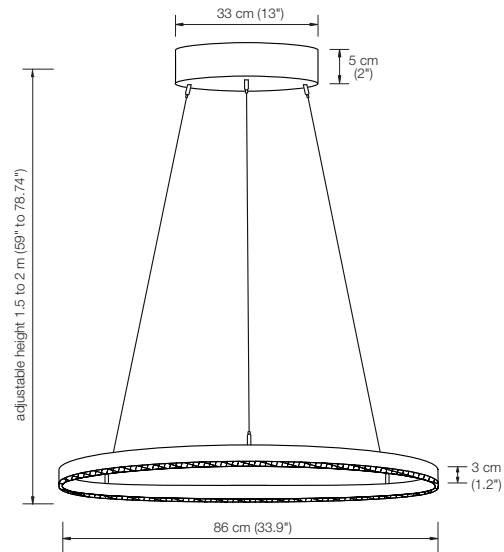
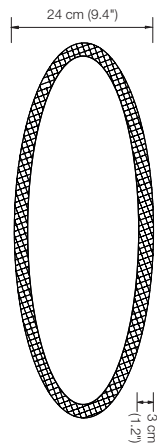
\*\* 3000K + 4000K on request.

\*\*\* LUN-DALI 25 W or Casambi Modul

Alternatively, we recommend (without obligation)

the following dimmer brands:

- Jung 1731DD
- Gira 540100 (System 3000)
- Feller 40200
- Berker 85421100
- Busch-Jaeger 64851U
- Kopp 8455
- Eitako EUD61NPL-230V





## MESA 18

**Chandelier · 18 removable metal arms**

Designed by: Florian Schulz

Total height: min. 85 cm (33.5") - max. 125 cm (49.2")  
(standard unless ordered otherwise)

Ø: 88 cm (34.6")

Lampholder: 18 x G4, max. 18 x 3,8 W / 12 V (max. 70 W)

Bulb: 18 x G4 LED, 2 W, à 200 Lumen, 2700° K inkl., dimmable

Dimmer: possible via house installation (standard)\*

base material: brass

MESA 18 – Ms polished, lacquered  
 MESA 18 – Mt matt brushed, lacquered  
 MESA 18 – Ni nickel-plated  
 MESA 18 – Nm nickel-plated, matt brushed  
 MESA 18 – Cr chrome-plated  
 MESA 18 – Cu copper-plated, lacquered  
 MESA 18 – Cm copper-plated, matt brushed, lacquered  
 MESA 18 – Br bronzed, lacquered  
 MESA 18 – Bd dark-bronzed, lacquered  
 MESA 18 – RAL individually according to RAL card

## MESA 24

**Chandelier · 24 removable metal armse**

Designed by: Florian Schulz

Total height: min. 95 (37.4") - max. 135 cm (53.1")  
(standard unless ordered otherwise)

Ø: 140 cm (55.1")

Lampholder: 24 x G4, max. 24 x 2,9 W / 12 V

Bulb: 24 x G4 LED, 2 W, à 200 Lumen, 2700° K inkl., dimmable

Dimmer: possible via house installation (standard)\*

Base material: brass

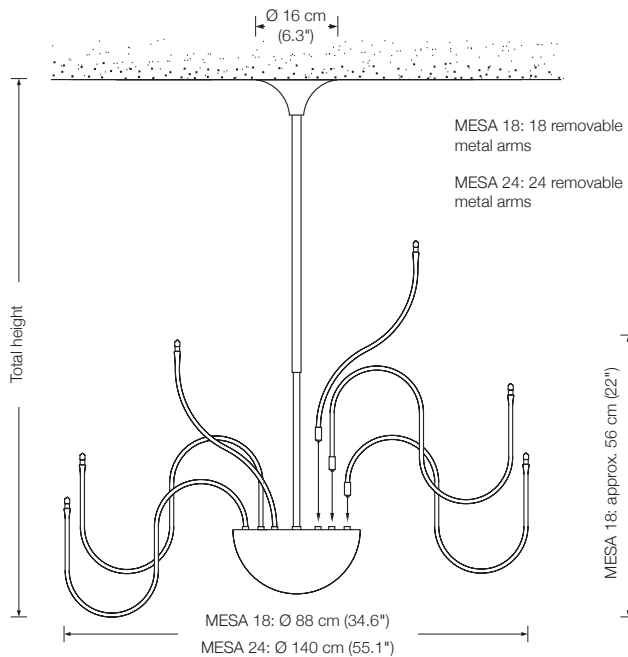
MESA 24 – Ms polished, lacquered  
 MESA 24 – Mt matt brushed, lacquered  
 MESA 24 – Ni nickel-plated  
 MESA 24 – Nm nickel-plated, matt brushed  
 MESA 24 – Cr chrome-plated  
 MESA 24 – Cu copper-plated, lacquered  
 MESA 24 – Cm copper-plated, matt brushed, lacquered  
 MESA 24 – Br bronzed, lacquered  
 MESA 24 – Bd dark-bronzed, lacquered  
 MESA 24 – RAL individually according to RAL card

\* LUN-DALI 25 W or Casambi Modul

Alternatively, we recommend (without obligation)

the following dimmer brands:

- Jung 1731DD
- Gira 540100 (System 3000)
- Feller 40200
- Berker 85421100
- Busch-Jaeger 64851U
- Kopp 8455
- Eltako EUD61NPL-230V



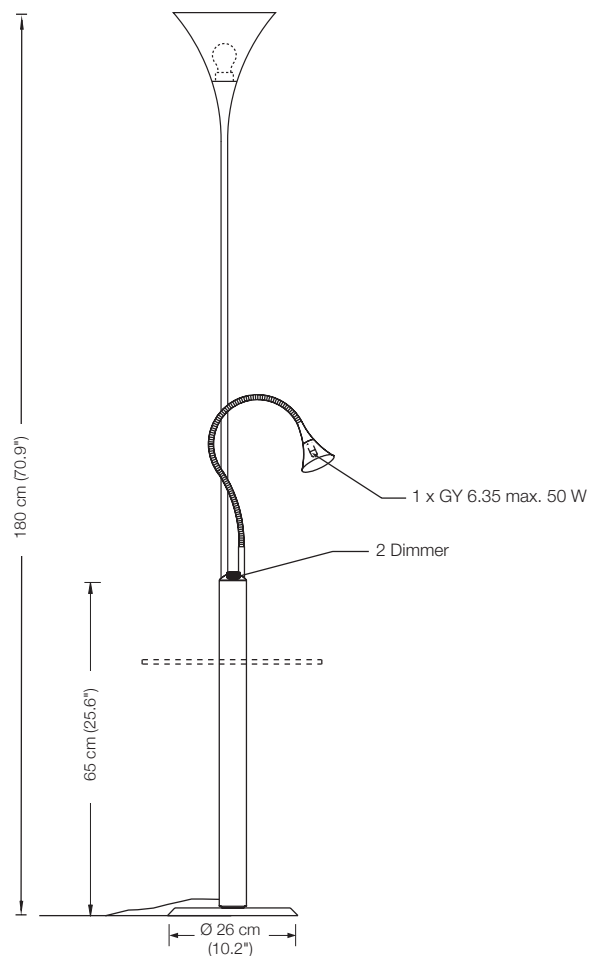
# VAYO

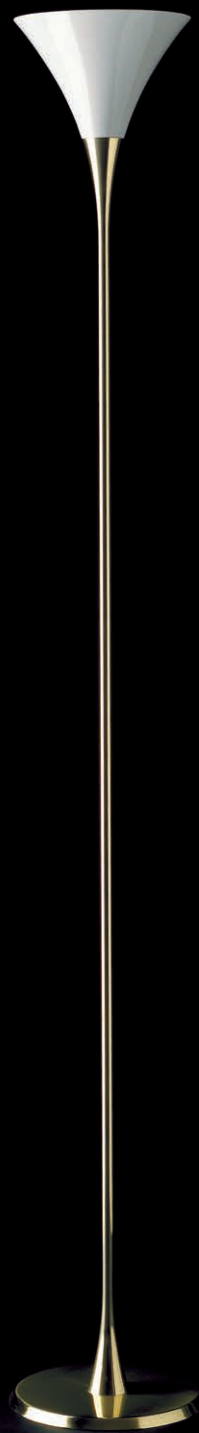
## Floor lamp / Floor reading lamp

Designed by: Florian Schulz

Height: 180 cm (70.9")  
Width reading lamp: approx. 50 cm (19.7")  
Shade floor lamp: glass white-opal, Ø 23 cm (9.1")  
Shade reading lamp: TEFLON white Ø 7 cm (2.8")  
Lampholder floor lamp: E27, max. 150 W / 230 V  
Bulb floor lamp: 1 x E27 LED incl., 3452 Lumen, 27 W (  $\hat{=}$  200 W), 2700 °K, dimmable  
Lampholder reading lamp: GY6.35, max. 50 W / 12 V  
Bulb reading lamp: 1 x G6 incl., dimmable  
Electric wire: 4 m (13.1 ft)  
Dimmer: 2 x built in  
Base material: brass

VAYO – Ms polished, lacquered  
VAYO – Mt matt brushed, lacquered  
VAYO – Ni nickel-plated  
VAYO – Nm nickel-plated, matt brushed  
VAYO – Cr chrome-plated  
VAYO – Cu copper-plated, lacquered  
VAYO – Cm copper-plated, matt brushed, lacquered  
VAYO – Br bronzed, lacquered  
VAYO – Bd dark-bronzed, lacquered  
VAYO – RAL individually according to RAL card  
Optional: Glass tabletop  
Ø 36 cm (14.2"), height 50 cm (19.7"), clear glass 10 mm (0.4")





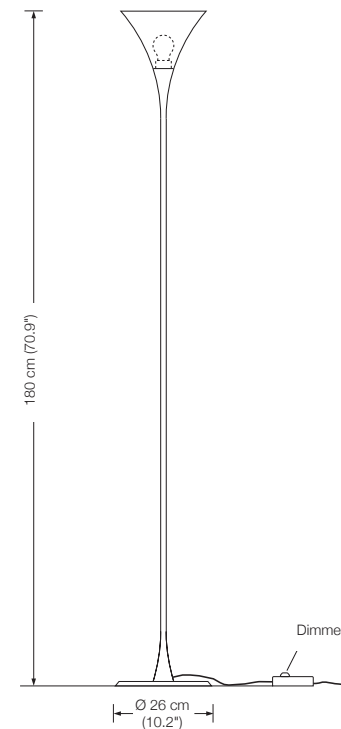
## LONEA

### Floor lamp

Designed by: Florian Schulz

Height: 180 cm (70.9")  
 Shade: glass white-opal, Ø 23 cm (9.1")  
 Lampholder: E27, max. 250 W  
 Bulb: 1 x E27 LED incl., 3452 Lumen,  
 27 W (  $\hat{=}$  200 W), 2700 °K, dimmable  
 Electric wire: 3 m (9.8 ft)  
 Dimmer: on cord  
 Base material: brass

LONEA – Ms polished, lacquered  
 LONEA – Mt matt brushed, lacquered  
 LONEA – Ni nickel-plated  
 LONEA – Nm nickel-plated, matt brushed  
 LONEA – Cr chrome-plated  
 LONEA – Cu copper-plated, lacquered  
 LONEA – Cm copper-plated, matt brushed, lacquered  
 LONEA – Br bronzed, lacquered  
 LONEA – Bd dark-bronzed, lacquered  
 LONEA – RAL individually according to RAL card



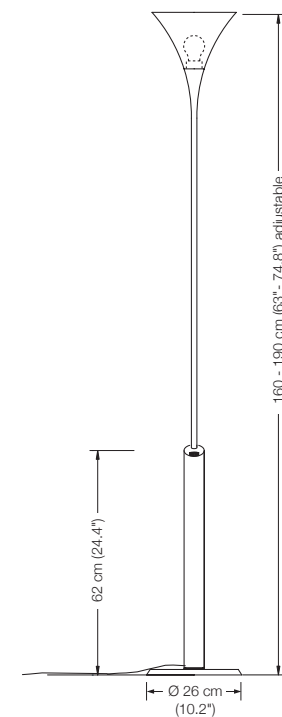
## LONEA SD

### Floor lamp

Designed by: Florian Schulz

Height: 160 - 190 cm (63" - 74.8") adjustable  
 Shade: glass white-opal, Ø 23 cm (9.1")  
 Lampholder: E27, max. 250 W  
 Bulb: 1 x E27 LED incl., 3452 Lumen,  
 27 W (  $\hat{=}$  200 W), 2700 °K, dimmable  
 Electric wire: 3 m (9.8 ft)  
 Dimmer: built in  
 Base material: brass

LONEA SD – Ms polished, lacquered  
 LONEA SD – Mt matt brushed, lacquered  
 LONEA SD – Ni nickel-plated  
 LONEA SD – Nm nickel-plated, matt brushed  
 LONEA SD – Cr chrome-plated  
 LONEA SD – Cu copper-plated, lacquered  
 LONEA SD – Cm copper-plated, matt brushed, lacquered  
 LONEA SD – Br bronzed, lacquered  
 LONEA SD – Bd dark-bronzed, lacquered  
 LONEA SD – RAL individually according to RAL card





# LOT

## Floor lamp

Designed by: Florian Schulz

Height: 180 cm (70.9")

Shade: TEFLON white, Ø 7 cm (2.8")

Lampholder: GY6.35, max. 50 W / 12 V

Bulb: 1 x G6 incl., 50 W  $\hat{=}$  75 W, dimmable

Electric wire: 2,5 m (8.2 ft)

Dimmer: on cord\*

Base material: brass

LOT – Ms polished, lacquered

LOT – Mt matt brushed, lacquered

LOT – Ni nickel-plated

LOT – Nm nickel-plated, matt brushed

LOT – Cr chrome-plated

LOT – Cu copper-plated, lacquered

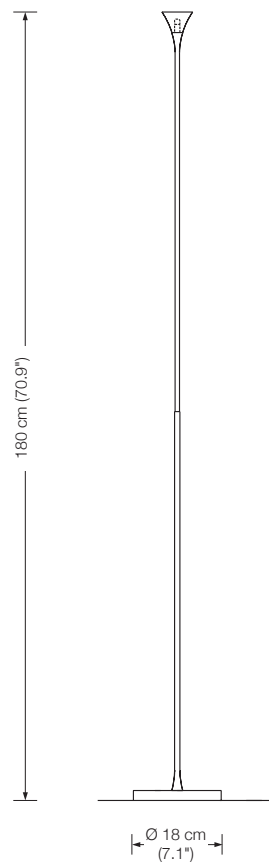
LOT – Cm copper-plated, matt brushed, lacquered

LOT – Br bronzed, lacquered

LOT – Bd dark-bronzed, lacquered

LOT – RAL individually according to RAL card

\* Touchtronic only on request.



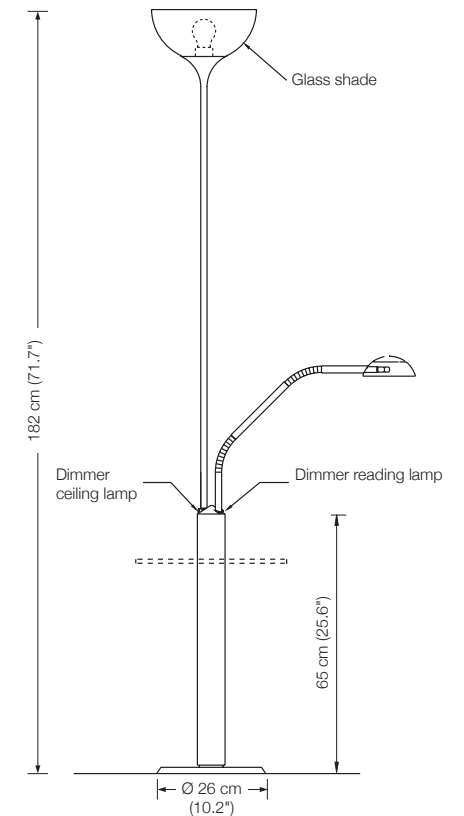


## MYOS

### Floor lamp / Floor reading lamp

Designed by:	Florian Schulz
Height:	182 cm (71.7")
Width reading lamp:	approx. 50 cm (19.7")
Shade floor lamp:	glass white-opal, Ø 26 cm (10.2")
Shade reading lamp:	metal Ø 12 cm (4.7"), adjustable
Lampholder floor lamp:	E27, max. 250 W / 230 V
Bulb floor lamp:	1 x E27 LED á 1521 Lumen, 14,5 W incl. 2700° K, dimmable
Lampholder reading lamp:	GY6.35, max. 50 W / 12 V
Bulb reading lamp:	1 x G6 incl., 35 W $\hat{=}$ 50 W, dimmable
Electric wire:	4 m (13.1 ft)
Dimmer:	2 x built in
Base material:	brass

MYOS – Ms	polished, lacquered
MYOS – Mt	matt brushed, lacquered
MYOS – Ni	nickel-plated
MYOS – Nm	nickel-plated, matt brushed
MYOS – Cr	chrome-plated
MYOS – Cu	copper-plated, lacquered
MYOS – Cm	copper-plated, matt brushed, lacquered
MYOS – Br	bronzed, lacquered
MYOS – Bd	dark-bronzed, lacquered
MYOS – RAL	individually according to RAL card
Optional: Glass tabletop	Ø 36 cm (14.2"), height 50 cm (19.7"), clear glass 10 mm (0.4")



## MYOS T

### Floor lamp / Floor reading lamp

Designed by:	Florian Schulz
Height:	182 cm (71.7")
Width reading lamp:	approx. 50 cm (19.7")
Shade reading lamp:	metal Ø 12 cm (4.7"), adjustable
Lampholder floor lamp:	E27, max. 250 W / 230 V
Bulb floor lamp:	1 x E27 LED á 1521 Lumen, 14,5 W incl. 2700° K, dimmable
Lampholder reading lamp:	GY6.35, max. 50 W / 12 V
Bulb reading lamp:	1 x G6 incl., 35 W $\hat{=}$ 50 W, dimmable
Electric wire:	4 m (13.1 ft)
Dimmer:	2 x built in
Base material:	brass

## MYOS T 40

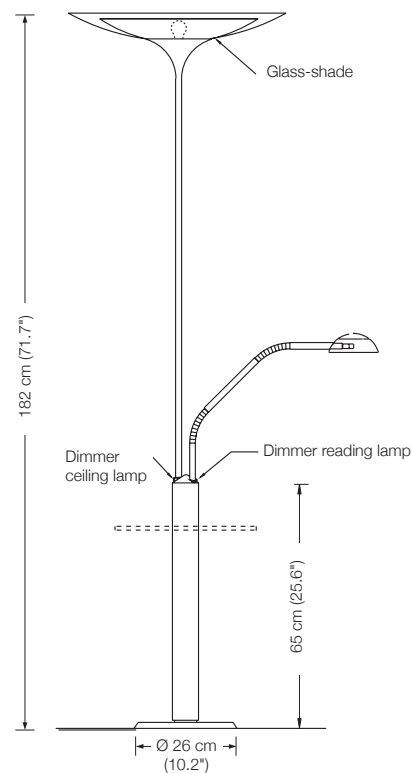
Shade floor lamp: glass white-opal, Ø 40 cm (15.7")

MYOS T 40 – Ms	polished, lacquered
MYOS T 40 – Mt	matt brushed, lacquered
MYOS T 40 – Ni	nickel-plated
MYOS T 40 – Nm	nickel-plated, matt brushed
MYOS T 40 – Cr	chrome-plated
MYOS T 40 – Cu	copper-plated, lacquered
MYOS T 40 – Cm	copper-plated, matt brushed, lacquered
MYOS T 40 – Br	bronzed, lacquered
MYOS T 40 – Bd	dark-bronzed, lacquered
MYOS T 40 – RAL	individually according to RAL card
Optional: Glass tabletop	
Ø 36 cm (14.2"), height 50 cm (19.7"), clear glass 10 mm (0.4")	

## MYOS T 55

Shade floor lamp: glass white-opal, Ø 55 cm (21.7")

MYOS T 55 – Ms	polished, lacquered
MYOS T 55 – Mt	matt brushed, lacquered
MYOS T 55 – Ni	nickel-plated
MYOS T 55 – Nm	nickel-plated, matt brushed
MYOS T 55 – Cr	chrome-plated
MYOS T 55 – Cu	copper-plated, lacquered
MYOS T 55 – Cm	copper-plated, matt brushed, lacquered
MYOS T 55 – Br	bronzed, lacquered
MYOS T 55 – Bd	dark-bronzed, lacquered
MYOS T 55 – RAL	individually according to RAL card
Optional: Glass tabletop	
Ø 36 cm (14.2"), height 50 cm (19.7"), clear glass 10 mm (0.4")	





## TAOS

### Floor lamp

Designed by: Florian Schulz

Height: 160 - 210 cm (63" - 82.7") adjustable  
 Lampholder: E27, max. 150 W  
 Bulb: 1 x E27 LED á 1521 Lumen, 14,5 W incl. 2700° K, dimmable  
 Electric wire: 3 m (9.8 ft)  
 Dimmer: on cord  
 Base material: brass

## TAOS 55

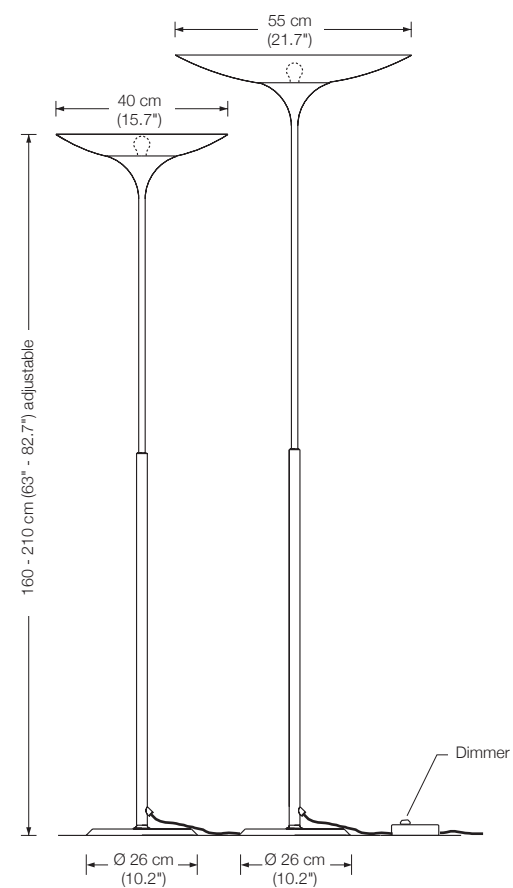
Shade: glass white-opal Ø 55 cm (21.7")

TAOS 55 – Ms polished, lacquered  
 TAOS 55 – Mt matt brushed, lacquered  
 TAOS 55 – Ni nickel-plated  
 TAOS 55 – Nm nickel-plated, matt brushed  
 TAOS 55 – Cr chrome-plated  
 TAOS 55 – Cu copper-plated, lacquered  
 TAOS 55 – Cm copper-plated, matt brushed, lacquered  
 TAOS 55 – Br bronzed, lacquered  
 TAOS 55 – Bd dark-bronzed, lacquered  
 TAOS 55 – RAL individually according to RAL card

## TAOS 40

Shade: glass white-opal Ø 40 cm (15.7")

TAOS 40 – Ms polished, lacquered  
 TAOS 40 – Mt matt brushed, lacquered  
 TAOS 40 – Ni nickel-plated  
 TAOS 40 – Nm nickel-plated, matt brushed  
 TAOS 40 – Cr chrome-plated  
 TAOS 40 – Cu copper-plated, lacquered  
 TAOS 40 – Cm copper-plated, matt brushed, lacquered  
 TAOS 40 – Br bronzed, lacquered  
 TAOS 40 – Bd dark-bronzed, lacquered  
 TAOS 40 – RAL individually according to RAL card



## TAOS SD

### Floor lamp

Designed by: Florian Schulz

Height: 160 - 190 cm (63" - 74.8") adjustable  
Lampholder: E27 max. 150 W  
Bulb: 1 x E27 LED á 1521 Lumen, 14,5 W incl.  
2700° K, dimmable  
Electric wire: 3 m (9.8 ft)  
Dimmer: built in  
Base material: brass

## TAOS 55 SD

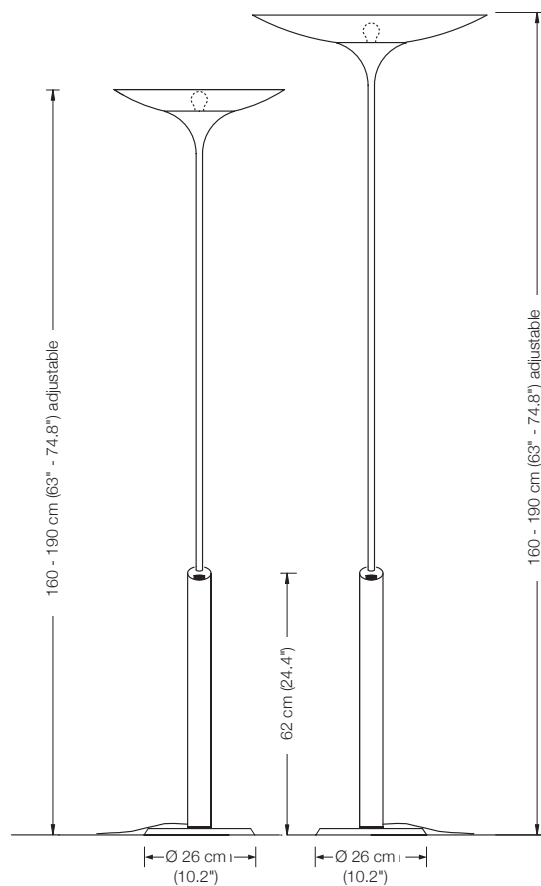
Shade: glass white-opal Ø 55 cm (21.7")

TAOS 55 SD – Ms polished, lacquered  
TAOS 55 SD – Mt matt brushed, lacquered  
TAOS 55 SD – Ni nickel-plated  
TAOS 55 SD – Nm nickel-plated, matt brushed  
TAOS 55 SD – Cr chrome-plated  
TAOS 55 SD – Cu copper-plated, lacquered  
TAOS 55 SD – Cm copper-plated, matt brushed, lacquered  
TAOS 55 SD – Br bronzed, lacquered  
TAOS 55 SD – Bd dark-bronzed, lacquered  
TAOS 55 SD – RAL individually according to RAL card

## TAOS 40 SD

Shade: glass white-opal Ø 40 cm (15.7")

TAOS 40 SD – Ms polished, lacquered  
TAOS 40 SD – Mt matt brushed, lacquered  
TAOS 40 SD – Ni nickel-plated  
TAOS 40 SD – Nm nickel-plated, matt brushed  
TAOS 40 SD – Cr chrome-plated  
TAOS 40 SD – Cu copper-plated, lacquered  
TAOS 40 SD – Cm copper-plated, matt brushed, lacquered  
TAOS 40 SD – Br bronzed, lacquered  
TAOS 40 SD – Bd dark-bronzed, lacquered  
TAOS 40 SD – RAL individually according to RAL card



## BulLEYE-S

### Floor reading lamp

Designed by: Jens Schump

Height: 107 – 172 cm (42.1" – 67.7") adjustable

Shade: rotatable, Ø 8 cm (3.1")

Lampholder: Osram CoB-LED, 8,7 W, 1000 Lumen  
2700 °K, dimmable

Color rendering: > 90 Ra

Electric wire: 3 m (9.8 ft) textile cable black (*standard*)

Dimmer: integrated in cord\*

Base material: brass

BulLEYE-S – Ms polished, lacquered

BulLEYE-S – Mt matt brushed, lacquered

BulLEYE-S – Ni nickel-plated

BulLEYE-S – Nm nickel-plated, matt brushed

BulLEYE-S – Cr chrome-plated

BulLEYE-S – Cu copper-plated, lacquered

BulLEYE-S – Cm copper-plated, matt brushed, lacquered

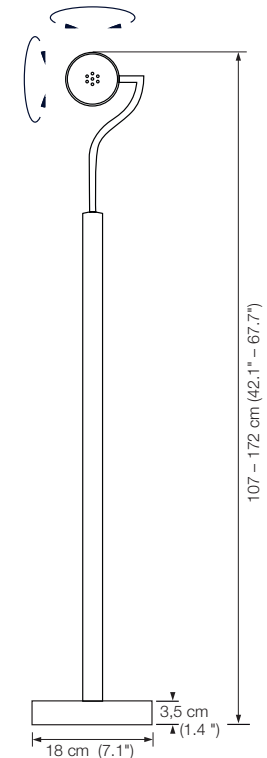
BulLEYE-S – Br bronzed, lacquered

BulLEYE-S – Bd dark-bronzed, lacquered

BulLEYE-S – RAL individually according to RAL card

\* Casambi-DALI Modul

(Dimmer in the supply line is omitted)



Special finish shown: matt black.

## PIN d

### Floor reading lamp dimmbar

Designed by: Florian Schulz

Height: 105 - 140 cm (41.3" - 55.1") adjustable

Width: approx. 52 cm (20.5")

Bulb: 1 x LED 150 (approx. 8,4 Watt) incl.  
exchangeable, approx. 840 Lumen

Color temperature: warmwhite 2700 K

Color rendering: > 90 Ra

Electric wire: 3 m (9.8 ft)

Dimmer: built in

Base material: brass

PIN d – Ms polished, lacquered

PIN d – Mt matt brushed, lacquered

PIN d – Ni nickel-plated

PIN d – Nm nickel-plated, matt brushed

PIN d – Cr chrome-plated

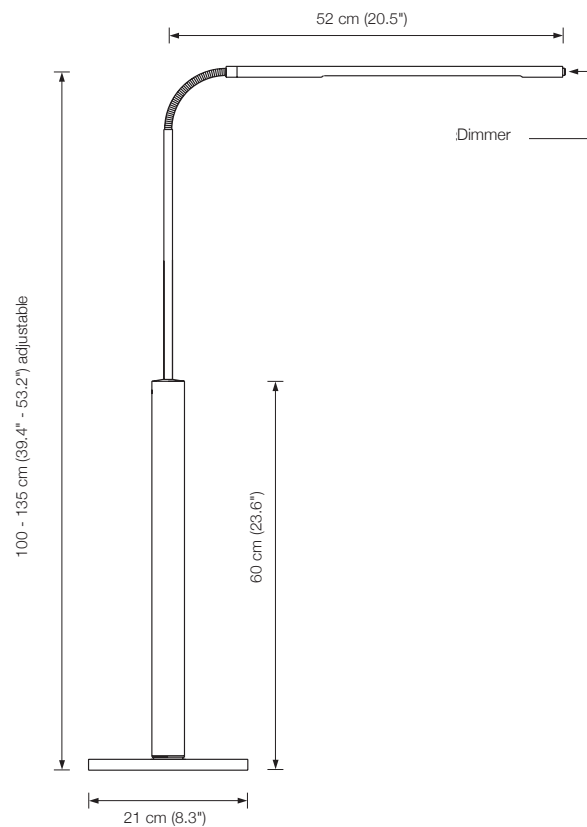
PIN d – Cu copper-plated, lacquered

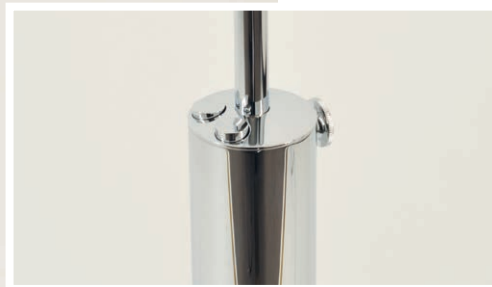
PIN d – Cm copper-plated, matt brushed, lacquered

PIN d – Br bronzed, lacquered

PIN d – Bd dark-bronzed, lacquered

PIN d – RAL individually according to RAL card





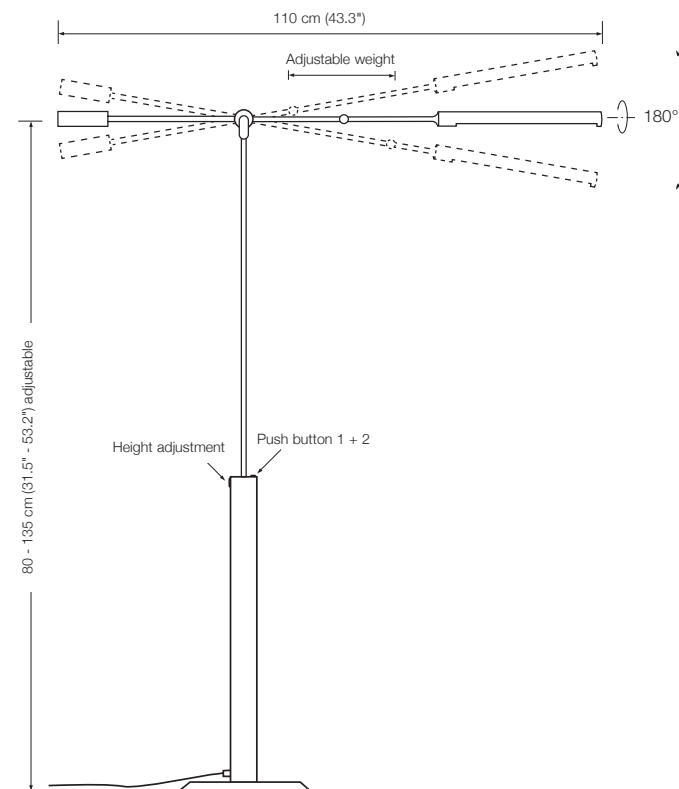
## DROP

### Floor reading lamp / Piano light

Designed by: Jens Schump

Height: adjustable from 80 – 135 cm (31.5" – 53.1")  
 Width: 70 cm (27.6")  
 Shade: Ø 3 cm (1.2"), approx. 34 cm (13.4") long, 180° rotatable  
 Bulb: LED-Line TW (approx. 18,6 W) incl., exchangeable  
 approx. 1800 Lumen, dimmable  
 Push button 1: tuning white infinitely variable from 2700° – 5700° K  
 Push button 2: on / off / dimming  
 Color rendering: > 95 Ra  
 Electric wire: 3 m (9.8 ft) textile cable black (standard)  
 Dimmer: built in  
 Base material: brass

DROP – Ms polished, lacquered  
 DROP – Mt matt brushed, lacquered  
 DROP – Ni nickel-plated  
 DROP – Nm nickel-plated, matt brushed  
 DROP – Cr chrome-plated  
 DROP – Cu copper-plated, lacquered  
 DROP – Cm copper-plated, matt brushed, lacquered  
 DROP – Br bronzed, lacquered  
 DROP – Bd dark-bronzed, lacquered  
 DROP – RAL individually according to RAL card





# NOSTALGIA-S

## Floor reading lamp

Designed by: Jens Schump

Height: 120 cm (47.2")

Shade\*: Silk

Colour: white or black

Shape: conical or straight

Lampholder: 1 x E27, max. 150 W

Bulb: 1 x E27 LED á 1055 Lumen,

7,8 W, 2700 °K

Electric wire: 2,5 m (8.2 ft)

Dimmer: on cord

Base material: brass

NOSTALGIA-S – Ms polished, lacquered

NOSTALGIA-S – Mt matt brushed, lacquered

NOSTALGIA-S – Ni nickel-plated

NOSTALGIA-S – Nm nickel-plated, matt brushed

NOSTALGIA-S – Cr chrome-plated

NOSTALGIA-S – Cu copper-plated, lacquered

NOSTALGIA-S – Cm copper-plated, matt brushed, lacquered

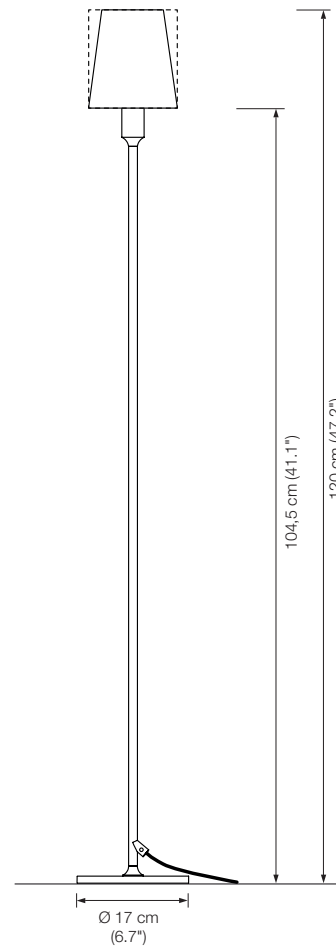
NOSTALGIA-S – Br bronzed, lacquered

NOSTALGIA-S – Bd dark-bronzed, lacquered

NOSTALGIA-S – RAL individually according to RAL card

Conical Shade:  
Ø 14 cm, h 15,5 cm, Ø 10 cm  
(Ø 5.5", h 6.1", Ø 3.9")

Cylindrical Shade:  
Ø 14 cm, h 15,5 cm  
(Ø 5.5", h 6.1")



\* Please specify the desired shape when ordering.  
Silk according to sample card VS Manufaktur.

**With all silk shades, you have the option of sending us your own fabric and we will manufacture your individual shade in our in-house manufactory.**

If the shade is made from a different material:

Surcharge according to effort.

Fabric required: 50 x 25 cm (19.7" x 9.8")





## STE

### Floor reading lamp

Designed by: Florian Schulz

Height: adjustable  
 Shade: Silk\*  
 Lampholder: E27, max. 150 W  
 Bulb: 1 x E27 LED á 1055 Lumen, 10,5 W incl. 2700° K, 11 W  $\triangleq$  75 W, dimmable  
 Electric wire: 3 m (9.8 ft) textile cable black (standard)  
 Dimmer: on cord  
 Base material: brass

STE – Ms polished, lacquered  
 STE – Mt matt brushed, lacquered  
 STE – Ni nickel-plated  
 STE – Nm nickel-plated, matt brushed  
 STE – Cr chrome-plated  
 STE – Cu copper-plated, lacquered  
 STE – Cm copper-plated, matt brushed, lacquered  
 STE – Br bronzed, lacquered  
 STE – Bd dark-bronzed, lacquered  
 STE – RAL individually according to RAL card

\* Silk according to sample card VS Manufaktur.

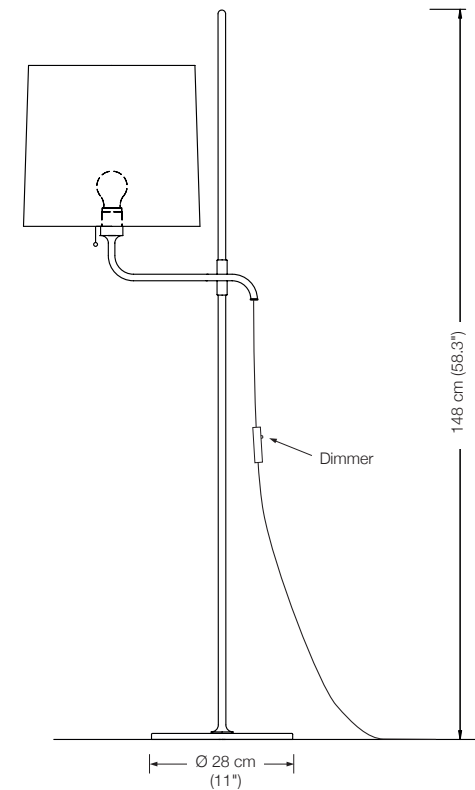
**With all silk shades, you have the option of sending us your own fabric and we will manufacture your individual shade in our in-house manufactory.**

If the shade is made from a different material:

Surcharge according to effort.

Fabric required: 120 x 60 cm (47.2" x 23.6")

Ø 34 cm (13.4")  
 h 33 cm (13")  
 Ø 35 cm (13.8")



# LIN

## Floor reading lamp

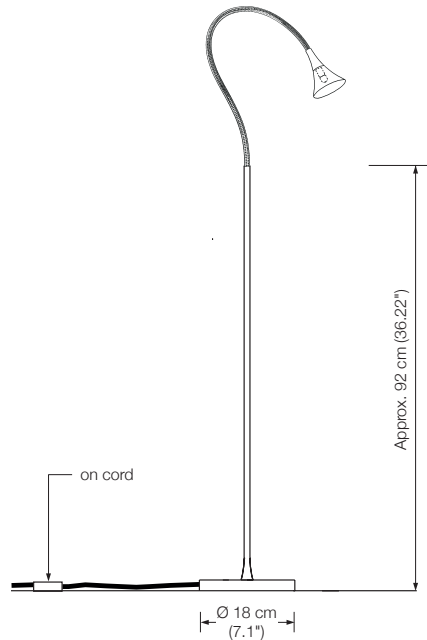
### flexible and specially reinforced metal arm

Designed by: Florian Schulz

Height: approx. 140 cm (55.1")  
Shade: TEFLON white, Ø 7 cm (2.8")  
Lampholder: GY6.35, max. 50 W / 12 V  
Bulb: 1 x G6 incl., 50 W  $\triangleq$  75 W, dimmable  
Electric wire: 2,5 m (8.2 ft)  
Dimmer: on cord\*  
Base material: brass

LIN – Ms polished, lacquered  
LIN – Mt matt brushed, lacquered  
LIN – Ni nickel-plated  
LIN – Nm nickel-plated, matt brushed  
LIN – Cr chrome-plated  
LIN – Cu copper-plated, lacquered  
LIN – Cm copper-plated, matt brushed, lacquered  
LIN – Br bronzed, lacquered  
LIN – Bd dark-bronzed, lacquered  
LIN – RAL individually according to RAL card

\* Touchtronic only on request.





## INAS

### Floor reading lamp

Designed by: Florian Schulz

Height: 132 - 170 cm (52" - 66.9") adjustable  
 Shade: Silk, conical or straight\*  
 Lampholder: E27, max. 150 W  
 Bulb: 1 x E27 LED á 1055 Lumen, 10,5 W incl. 2700° K, 10,5 W  $\hat{=}$  75 W, dimmable  
 Electric wire: 4 m (13.1 ft)  
 Dimmer: on cord  
 Base material: brass

INAS – Ms polished, lacquered  
 INAS – Mt matt brushed, lacquered  
 INAS – Ni nickel-plated  
 INAS – Nm nickel-plated, matt brushed  
 INAS – Cr chrome-plated  
 INAS – Cu copper-plated, lacquered  
 INAS – Cm copper-plated, matt brushed, lacquered  
 INAS – Br bronzed, lacquered  
 INAS – Bd dark-bronzed, lacquered  
 INAS – RAL individually according to RAL card

## INAS SD

### Floor reading lamp

Designed by: Florian Schulz

Height: 155 - 185 cm (61" - 72.8") adjustable  
 Shade: Silk, conical or straight\*  
 Lampholder: E27, max. 150 W  
 Bulb: 1 x E27 LED á 1055 Lumen, 10,5 W incl. 2700° K, 10,5 W  $\hat{=}$  75 W, dimmable  
 Electric wire: 4 m (13.1 ft)  
 Dimmer: built in  
 Base material: brass

INAS SD – Ms polished, lacquered  
 INAS SD – Mt matt brushed, lacquered  
 INAS SD – Ni nickel-plated  
 INAS SD – Nm nickel-plated, matt brushed  
 INAS SD – Cr chrome-plated  
 INAS SD – Cu copper-plated, lacquered  
 INAS SD – Cm copper-plated, matt brushed, lacquered  
 INAS SD – Br bronzed, lacquered  
 INAS SD – Bd dark-bronzed, lacquered  
 INAS SD – RAL individually according to RAL card

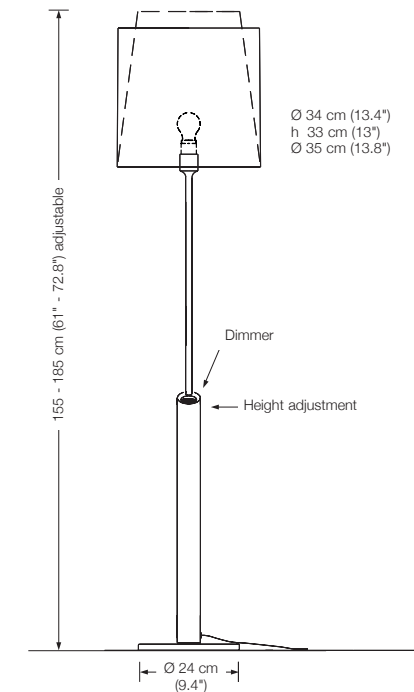
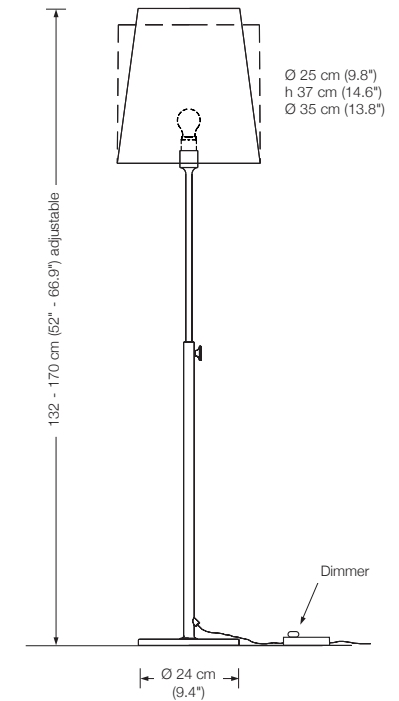
\* Please specify the desired shape when ordering.

Silk according to sample card VS Manufaktur.

**With all silk shades, you have the option of sending us your own fabric and we will manufacture your individual shade in our in-house manufactory.**

If the shade is made from a different material:

Surcharge according to effort. Fabric required: 120 x 60 cm (47.3" x 23.6")





## LESAN M

### Floor reading lamp

Designed by: Florian Schulz

Height: 90 - 135 cm (35.4" - 53.1") adjustable  
 Shade: metal Ø 28 cm (11")  
 Lampholder: E27, max. 100 W  
 Bulb: 1 x E27 LED á 1055 Lumen, 10,5 W incl. 2700° K, 10,5 W  $\hat{=}$  75 W, dimmable  
 Electric wire: 3 m (9.8 ft)  
 Dimmer: on cord  
 Base material: brass

LESAN M – Ms polished, lacquered  
 LESAN M – Mt matt brushed, lacquered  
 LESAN M – Ni nickel-plated  
 LESAN M – Nm nickel-plated, matt brushed  
 LESAN M – Cr chrome-plated  
 LESAN M – Cu copper-plated, lacquered  
 LESAN M – Cm copper-plated, matt brushed, lacquered  
 LESAN M – Br bronzed, lacquered  
 LESAN M – Bd dark-bronzed, lacquered  
 LESAN M – RAL individually according to RAL card

## LESAN S

### Floor reading lamp

Designed by: Florian Schulz

Height: 90 - 135 cm (35.4" - 53.1") adjustable  
 Shade: Silk\* Ø 28 cm (11")  
 Lampholder: E27, max. 70 W  
 Bulb: 1 x E27 LED á 1055 Lumen, 10,5 W incl. 2700° K, 10,5 W  $\hat{=}$  75 W, dimmable  
 Electric wire: 3 m (9.8 ft)  
 Dimmer: on cord  
 Base material: brass

LESAN S – Ms polished, lacquered  
 LESAN S – Mt matt brushed, lacquered  
 LESAN S – Ni nickel-plated  
 LESAN S – Nm nickel-plated, matt brushed  
 LESAN S – Cr chrome-plated  
 LESAN S – Cu copper-plated, lacquered  
 LESAN S – Cm copper-plated, matt brushed, lacquered  
 LESAN S – Br bronzed, lacquered  
 LESAN S – Bd dark-bronzed, lacquered  
 LESAN S – RAL individually according to RAL card

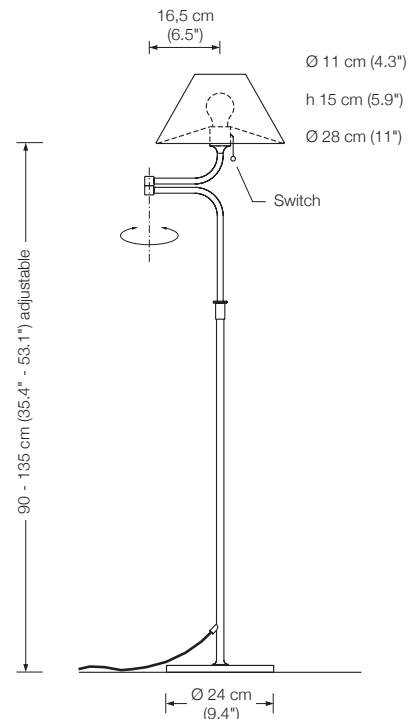
\* Silk according to sample card VS Manufaktur.

**With all silk shades, you have the option of sending us your own fabric and we will manufacture your individual shade in our in-house manufactory.**

If the shade is made from a different material:

Surcharge according to effort.

Fabric required: 50 x 80 cm (19.7" x 31.5")

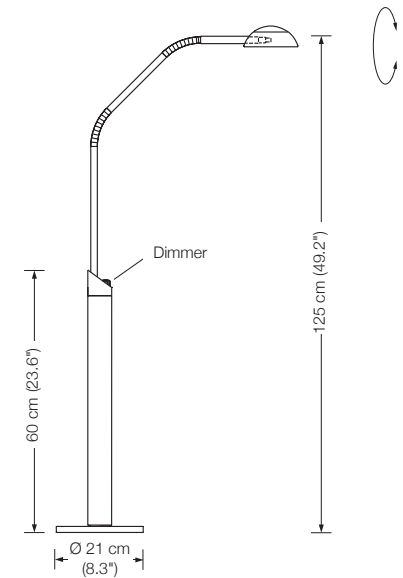


## YON

### Floor reading lamp

Designed by: Florian Schulz  
Height: adjustable  
Shade: metal Ø 12 cm (4.7"), rotatable  
Lampholder: GY6.35, max. 50 W / 12 V  
Bulb: 1 x G6 incl., 35 W  $\hat{=}$  50 W, dimmable  
Electric wire: 4 m (13.1 ft)  
Dimmer: built in  
Base material: brass

YON – Ms polished, lacquered  
YON – Mt matt brushed, lacquered  
YON – Ni nickel-plated  
YON – Nm nickel-plated, matt brushed  
YON – Cr chrome-plated  
YON – Cu copper-plated, lacquered  
YON – Cm copper-plated, matt brushed, lacquered  
YON – Br bronzed, lacquered  
YON – Bd dark-bronzed, lacquered  
YON – RAL individually according to RAL card



## YON G

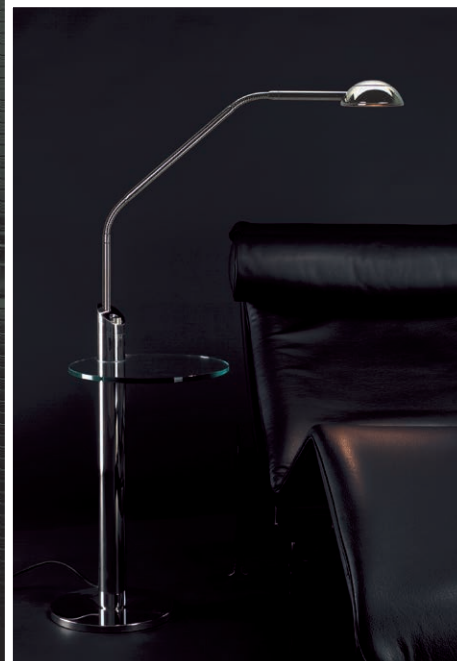
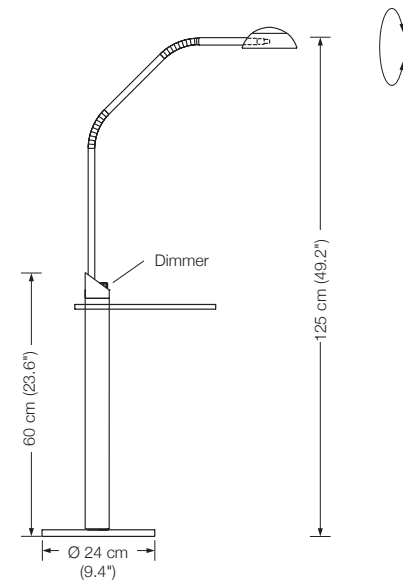
### Floor reading lamp

with glass tabletop Ø 30 cm (11.8"), clear glass

Designed by: Florian Schulz

Height: adjustable  
Shade: metal Ø 12 cm (4.7"), rotatable  
Lampholder: GY6.35, max. 50 W / 12 V  
Bulb: 1 x G6 incl., 35 W  $\hat{=}$  50 W, dimmable  
Electric wire: 4 m (13.1 ft)  
Dimmer: built in  
Base material: brass

YON G – Ms polished, lacquered  
YON G – Mt matt brushed, lacquered  
YON G – Ni nickel-plated  
YON G – Nm nickel-plated, matt brushed  
YON G – Cr chrome-plated  
YON G – Cu copper-plated, lacquered  
YON G – Cm copper-plated, matt brushed, lacquered  
YON G – Br bronzed, lacquered  
YON G – Bd dark-bronzed, lacquered  
YON G – RAL individually according to RAL card



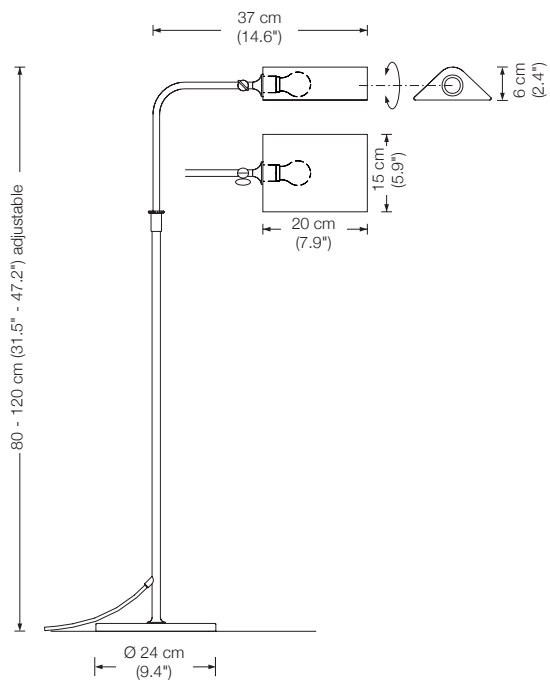
# CERVANTES

## Floor reading lamp

Designed by: Florian Schulz

Height: 80 - 120 cm (31.5" - 47.2") adjustable  
Shade: metal, adjustable  
Lampholder: E27, max. 100 W  
Bulb: 1 x E27 LED á 1055 Lumen, 10,5 W incl.  
2700° K, 10,5 W  $\triangleq$  75 W, dimmable  
Electric wire: 4 m (13.1 ft)  
Dimmer: on cord  
Base material: brass

CERVANTES – Ms polished, lacquered  
CERVANTES – Mt matt brushed, lacquered  
CERVANTES – Ni nickel-plated  
CERVANTES – Nm nickel-plated, matt brushed  
CERVANTES – Cr chrome-plated  
CERVANTES – Cu copper-plated, lacquered  
CERVANTES – Cm copper-plated, matt brushed, lacquered  
CERVANTES – Br bronzed, lacquered  
CERVANTES – Bd dark-bronzed, lacquered  
CERVANTES – RAL individually according to RAL card







## SERPENTI-T

### Table lamp

Designed by: Jens Schump

Height: 52 – 82 cm (20.47" – 32.28") adjustable  
Shade: 62 cm (24.41") long, 30 cm (11.81") wide  
Shade profile: 4 x 4 cm (1.58" x 1.58")  
Width: from 21 cm (8.27") to 62 cm (24.41") adjustable  
Depth: 40 cm (15.75")  
Illuminant: LED, 20.3 W, with glare protection, approx. 3000 Lumen

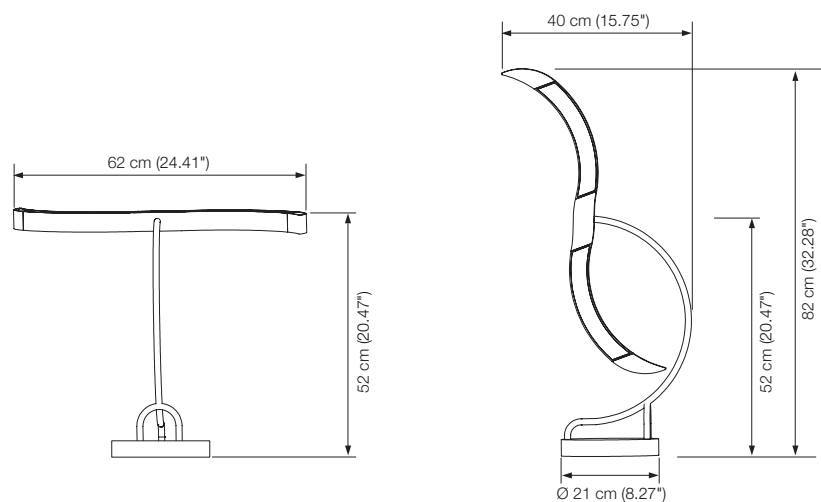
Color rendering: > 90 Ra

Dimmer: sweep sensor in the middle of the shade

Cable: 3 m (9.85 ft) black (*standard*)

Base material: brass

SERPENTI-T – Ms polished, lacquered  
SERPENTI-T – Mt matt brushed, lacquered  
SERPENTI-T – Ni nickel-plated  
SERPENTI-T – Nm nickel-plated, matt brushed  
SERPENTI-T – Cr chrome-plated  
SERPENTI-T – Cu copper-plated, lacquered  
SERPENTI-T – Cm copper-plated, matt brushed, lacquered  
SERPENTI-T – Br bronzed, lacquered  
SERPENTI-T – Bd dark-bronzed, lacquered  
SERPENTI-T – RAL individually according to RAL card





## BulLEYE-T

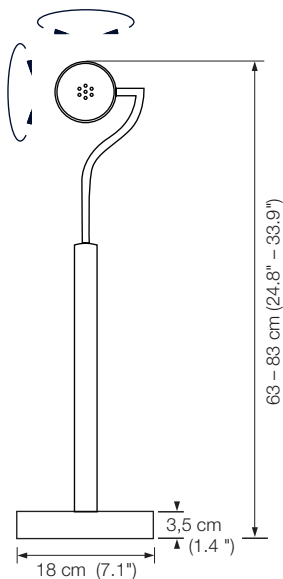
### Table lamp

Designed by: Jens Schump

Height: 63 – 86 cm (24.8" – 33.9") adjustable  
Shade: rotatable, Ø 8 cm (3.1")  
Lampholder: Osram CoB-LED, 8,7 W, 1000 Lumen  
2700 °K, dimmable  
Color rendering: > 90 Ra  
Electric wire: 3 m (9.8 ft) textile cable black (standard)  
Dimmer: integrated in cord\*  
Base material: brass

BulLEYE-T – Ms polished, lacquered  
BulLEYE-T – Mt matt brushed, lacquered  
BulLEYE-T – Ni nickel-plated  
BulLEYE-T – Nm nickel-plated, matt brushed  
BulLEYE-T – Cr chrome-plated  
BulLEYE-T – Cu copper-plated, lacquered  
BulLEYE-T – Cm copper-plated, matt brushed, lacquered  
BulLEYE-T – Br bronzed, lacquered  
BulLEYE-T – Bd dark-bronzed, lacquered  
BulLEYE-T – RAL individually according to RAL card

\* Casambi-DALI Modul  
(Dimmer in the supply line is omitted)



Special finish shown: matt white.



Extendable  
up to 83 cm  
(32.7").



## NOSTALGIA-T

### Table lamp

Designed by: Jens Schump

Height: 48,5 cm (19.1")

Shade\*: Silk

Colour: white or black

Shape: conical or straight

Lampholder: 1 x E27, max. 150 W

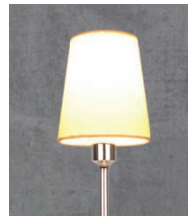
Bulb: 1 x E27 LED á 1055 Lumen,  
7,8 W, 2700 °K

Electric wire: 2 m (6.5 ft)

Dimmer: on cord

Base material: brass

NOSTALGIA-T – Ms polished, lacquered  
 NOSTALGIA-T – Mt matt brushed, lacquered  
 NOSTALGIA-T – Ni nickel-plated  
 NOSTALGIA-T – Nm nickel-plated, matt brushed  
 NOSTALGIA-T – Cr chrome-plated  
 NOSTALGIA-T – Cu copper-plated, lacquered  
 NOSTALGIA-T – Cm copper-plated, matt brushed, lacquered  
 NOSTALGIA-T – Br bronzed, lacquered  
 NOSTALGIA-T – Bd dark-bronzed, lacquered  
 NOSTALGIA-T – RAL individually according to RAL card



\* Please specify the desired shape when ordering.

Silk according to sample card VS Manufaktur.

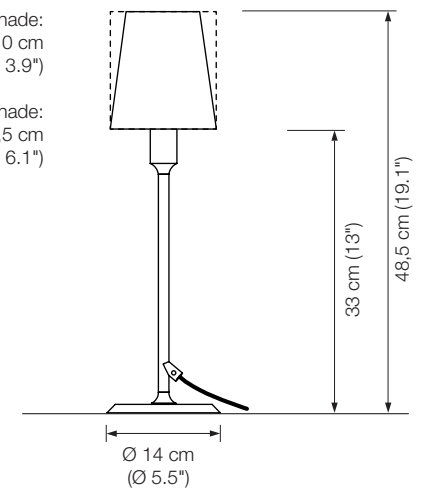
**With all silk shades, you have the option of sending us your own fabric and we will manufacture your individual shade in our in-house manufactory.**

If the shade is made from a different material: Surcharge according to effort.

Fabric required: 50 x 25 cm (19.7" x 9.8")

Conical Shade:  
 Ø 14 cm, h 15,5 cm, Ø 10 cm  
 (Ø 5.5", h 6.1", Ø 3.9")

Cylindrical Shade:  
 Ø 14 cm, h 15,5 cm  
 (Ø 5.5", h 6.1")



# TOA

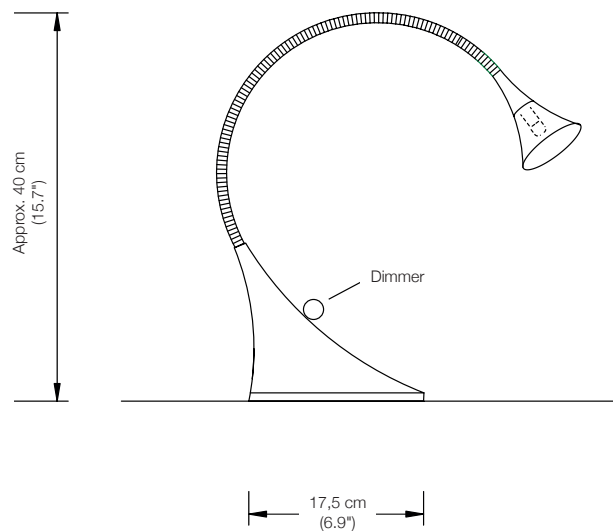
## Table lamp

### flexible and specially reinforced metal arm

Designed by: Florian Schulz

Height: up to max. 50 cm (19.7")  
Shade: TEFLON white, Ø 7 cm (2.8")  
Lampholder: GY6.35, max. 50 W / 12 V  
Bulb: 1 x G6 incl., dimmable  
Electric wire: 2,5 m (8.2 ft)  
Dimmer: built in  
Base material: brass

TOA – Ms polished, lacquered  
TOA – Mt matt brushed, lacquered  
TOA – Ni nickel-plated  
TOA – Nm nickel-plated, matt brushed  
TOA – Cr chrome-plated  
TOA – Cu copper-plated, lacquered  
TOA – Cm copper-plated, matt brushed, lacquered  
TOA – Br bronzed, lacquered  
TOA – Bd dark-bronzed, lacquered  
TOA – RAL individually according to RAL card





Walnut  
mocha



Walnut  
cognac

## TAU

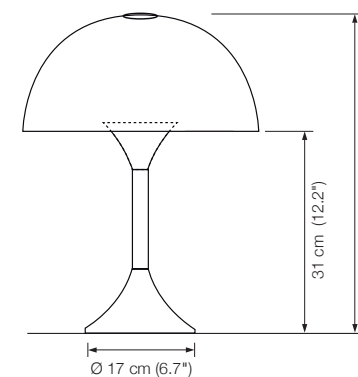
### Table lamp

Designed by: Jens Schump

Height: approx. 50 cm  
Shade: glass white-opal, Ø 36 cm (14.2")  
Lampholder: 3 x E27, max. 100 Watt  
Bulb: 3 x E27 LED á 1055 Lumen, 10,5 W incl., dimmable  
Middle part: walnut mocha (*standard*)\*  
Electric wire: 2,5 m (8.2 ft)  
Dimmer: built in  
Base material: brass

TAU – Ms polished, lacquered  
TAU – Mt matt brushed, lacquered  
TAU – Ni nickel-plated  
TAU – Nm nickel-plated, matt brushed  
TAU – Cr chrome-plated  
TAU – Cu copper-plated, lacquered  
TAU – Cm copper-plated, matt brushed, lacquered  
TAU – Br bronzed, lacquered  
TAU – Bd dark-bronzed, lacquered  
TAU – RAL individually according to RAL card

\* Optional: walnut cognac  
Please indicate with order.



# TOPAN

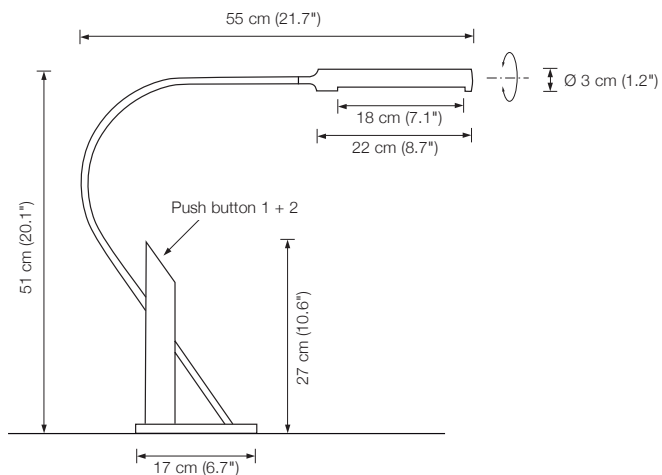
## Table lamp

Designed by: Jens Schump

Height: 51 cm (20.1")  
Width: 55 cm (21.7")  
Shade: Ø 3 cm (1.2"), approx. 23 cm (9.1") long, 180° rotatable  
Bulb: LED-Line TW (approx. 12,5 W) incl., exchangeable  
approx. 1330 Lumen  
dimmable

Push button 1: tuning white infinitely variable from 2700° – 5700° K  
Push button 2: on / off / dimming  
Color rendering: > 95 Ra  
Electric wire: 3 m (9.8 ft) textile cable black (*standard*)  
Dimmer: built in  
Base material: brass

TOPAN – Ms polished, lacquered  
TOPAN – Mt matt brushed, lacquered  
TOPAN – Ni nickel-plated  
TOPAN – Nm nickel-plated, matt brushed  
TOPAN – Cr chrome-plated  
TOPAN – Cu copper-plated, lacquered  
TOPAN – Cm copper-plated, matt brushed, lacquered  
TOPAN – Br bronzed, lacquered  
TOPAN – Bd dark-bronzed, lacquered  
TOPAN – RAL individually according to RAL card





## ORA

### Table lamp

Designed by: Florian Schulz

Shade: Silk\*

Lampholder: E27, max. 100 W

Bulb: 1 x E27 LED á 1055 Lumen, 10,5 W incl.  
2700° K, 11 W  $\hat{=}$  75 W, dimmable

Electric wire: 3 m (9.8 ft)

Dimmer: on cord

Base material: brass

## ORA 20

Metal ball Ø 20 cm (7.9")

Height: 59 cm (23.2")

ORA 20 – Ms polished, lacquered

ORA 20 – Mt matt brushed, lacquered

ORA 20 – Ni nickel-plated

ORA 20 – Nm nickel-plated, matt brushed

ORA 20 – Cr chrome-plated

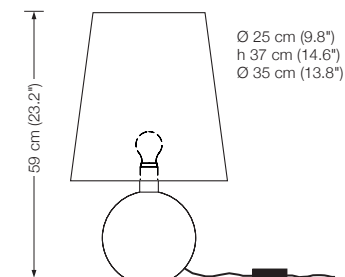
ORA 20 – Cu copper-plated, lacquered

ORA 20 – Cm copper-plated, matt brushed, lacquered

ORA 20 – Br bronzed, lacquered

ORA 20 – Bd dark-bronzed, lacquered

ORA 20 – RAL individually according to RAL card



## ORA 25

Metal ball Ø 25 cm (9.8")

Height: 71 cm (28")

ORA 25 – Ms polished, lacquered

ORA 25 – Mt matt brushed, lacquered

ORA 25 – Ni nickel-plated

ORA 25 – Nm nickel-plated, matt brushed

ORA 25 – Cr chrome-plated

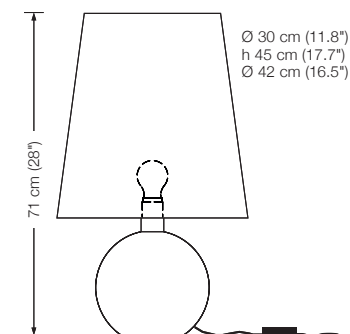
ORA 25 – Cu copper-plated, lacquered

ORA 25 – Cm copper-plated, matt brushed, lacquered

ORA 25 – Br bronzed, lacquered

ORA 25 – Bd dark-bronzed, lacquered

ORA 25 – RAL individually according to RAL card



\* Silk according to sample card VS Manufaktur.

**With all silk shades, you have the option of sending us your own fabric and we will manufacture your individual shade in our in-house manufactory.**

If the shade is made from a different material: Surcharge according to effort.

Fabric required ORA 20: 120 x 60 cm (47.2" x 23.6")

Fabric required ORA 25: 140 x 70 cm (55.1" x 27.6")



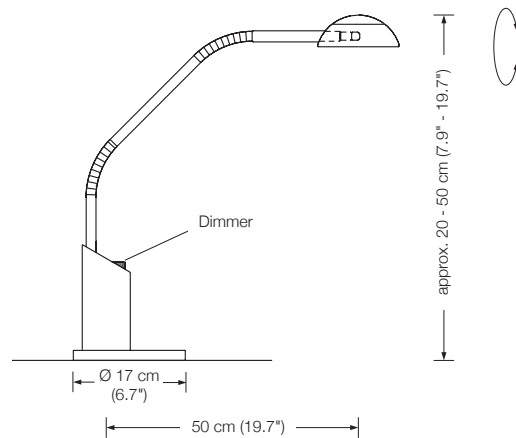
# YON T

## Table lamp

Designed by: Florian Schulz

Shade: metal Ø 12 cm (4.7"), adjustable  
Lampholder: GY6.35, max. 50 W / 12 V  
Bulb: 1 x G6 incl., 35 W  $\hat{=}$  50 W, dimmable  
Electric wire: 2,5 m (8.2 ft)  
Dimmer: built in  
Base material: brass

YON T - Ms polished, lacquered  
YON T - Mt matt brushed, lacquered  
YON T - Ni nickel-plated  
YON T - Nm nickel-plated, matt brushed  
YON T - Cr chrome-plated  
YON T - Cu copper-plated, lacquered  
YON T - Cm copper-plated, matt brushed, lacquered  
YON T - Br bronzed, lacquered  
YON T - Bd dark-bronzed, lacquered  
YON T - RAL individually according to RAL card



## ESA

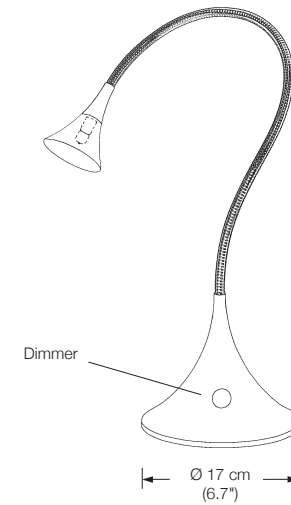
### Table lamp

**flexible and specially reinforced metal arm**

Designed by: Florian Schulz

Height: up to 50 cm (19.7")  
Shade: TEFLON white, Ø 7 cm (2.8")  
Lampholder: GY6.35, max. 50 W  
Bulb: 1 x G6 incl., 35 W  $\hat{=}$  50 W, dimmable  
Electric wire: 2,5 m (8.2 ft)  
Dimmer: built in  
Base material: brass

ESA – Ms polished, lacquered  
ESA – Mt matt brushed, lacquered  
ESA – Ni nickel-plated  
ESA – Nm nickel-plated, matt brushed  
ESA – Cr chrome-plated  
ESA – Cu copper-plated, lacquered  
ESA – Cm copper-plated, matt brushed, lacquered  
ESA – Br bronzed, lacquered  
ESA – Bd dark-bronzed, lacquered  
ESA – RAL individually according to RAL card



## ELAS

### Table lamp

Designed by: Florian Schulz

Height: 50 - 70 cm (19.7" - 27.6") adjustable  
Shade: metal Ø 28 cm (11")  
Lampholder: E27, max. 100 W  
Bulb: 1 x E27 LED á 1055 Lumen, 10,5 W incl.  
2700° K, 11 W  $\triangleq$  75 W, dimmable  
Electric wire: 2,5 m (8.2 ft)  
Dimmer: on cord  
Base material: brass

ELAS – Ms polished, lacquered  
ELAS – Mt matt brushed, lacquered  
ELAS – Ni nickel-plated  
ELAS – Nm nickel-plated, matt brushed  
ELAS – Cr chrome-plated  
ELAS – Cu copper-plated, lacquered  
ELAS – Cm copper-plated, matt brushed, lacquered  
ELAS – Br bronzed, lacquered  
ELAS – Bd dark-bronzed, lacquered  
ELAS – RAL individually according to RAL card

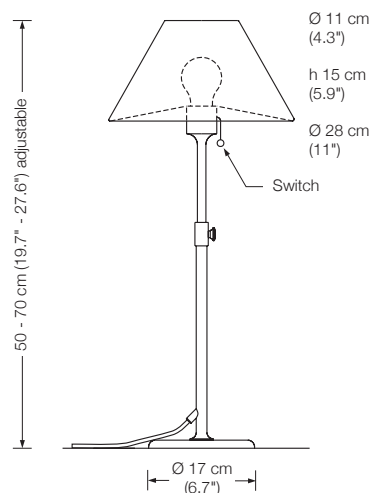
## ELAS S

### Table lamp

Designed by: Florian Schulz

Height: 50 - 70 cm (19.7" - 27.6") adjustable  
Shade: Silk\* Ø 28 cm (11")  
Lampholder: E27, max. 100 W  
Bulb: 1 x E27 LED á 1055 Lumen, 10,5 W incl.  
2700° K, 11 W  $\triangleq$  75 W, dimmable  
Electric wire: 2,5 m (8.2 ft)  
Dimmer: on cord  
Base material: brass

ELAS S – Ms polished, lacquered  
ELAS S – Mt matt brushed, lacquered  
ELAS S – Ni nickel-plated  
ELAS S – Nm nickel-plated, matt brushed  
ELAS S – Cr chrome-plated  
ELAS S – Cu copper-plated, lacquered  
ELAS S – Cm copper-plated, matt brushed, lacquered  
ELAS S – Br bronzed, lacquered  
ELAS S – Bd dark-bronzed, lacquered  
ELAS S – RAL individually according to RAL card



\* Silk according to sample card VS Manufaktur.

**With all silk shades, you have the option of sending us your own fabric and we will manufacture your individual shade in our in-house manufactory.**

If the shade is made from a different material: Surcharge according to effort.

Fabric required: 50 x 80 cm (19.7" x 31.5")



## TES

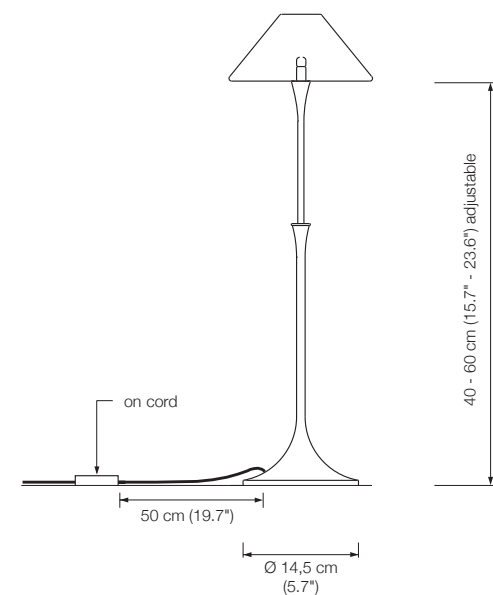
### Table lamp

Designed by: Florian Schulz

Height: 40 - 60 cm (15.7" - 23.6") adjustable  
Shade: TEFLON white, Ø 18 cm (7.1")  
Lampholder: GY6.35, max. 50 W / 12 V  
Bulb: 1 x G6 incl., 35 W  $\hat{=}$  50 W, dimmable  
Electric wire: 2,5 m (8.2 ft)  
Dimmer: on cord\*  
Base material: brass

TES - Ms polished, lacquered  
TES - Mt matt brushed, lacquered  
TES - Ni nickel-plated  
TES - Nm nickel-plated, matt brushed  
TES - Cr chrome-plated  
TES - Cu copper-plated, lacquered  
TES - Cm copper-plated, matt brushed, lacquered  
TES - Br bronzed, lacquered  
TES - Bd dark-bronzed, lacquered  
TES - RAL individually according to RAL card

\* Touchtronic only on request.



## **PIN T** *Discontinued Model. Only while stocks last.*

### **Desk lamp**

Designed by: Florian Schulz

Height: 45 cm (17.7")

Width: 70 cm (27.6")

Shade: rotatable

Bulb: 1 x LED 150 (approx. 6 Watt) incl.  
exchangeable  
approx. 600 Lumen

Color temperature: warmwhite 2700 K

Color rendering: > 90 Ra

Electric wire: 3 m (9.8 ft)

Base material: brass

PIN T – Ms polished, lacquered

PIN T – Mt matt brushed, lacquered

PIN T – Ni nickel-plated

PIN T – Nm nickel-plated, matt brushed

PIN T – Cr chrome-plated

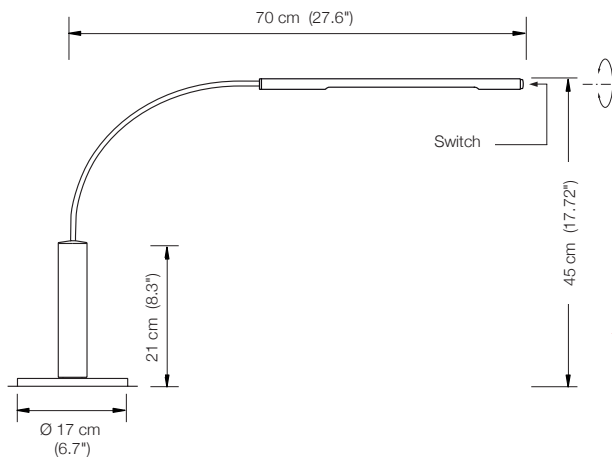
PIN T – Cu copper-plated, lacquered

PIN T – Cm copper-plated, matt brushed, lacquered

PIN T – Br bronzed, lacquered

PIN T – Bd dark-bronzed, lacquered

PIN T – RAL individually according to RAL card





## TOLED

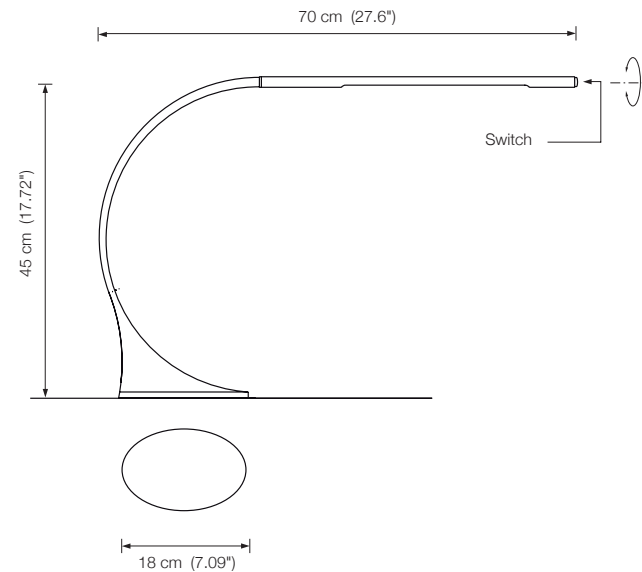
### Desk lamp

Designed by: Florian Schulz

Height: 45 cm (17.7")  
Width: 70 cm (27.6")  
Shade: rotatable  
Bulb: 1 x LED 150 (approx. 6 Watt) incl. exchangeable approx. 600 Lumen

Color temperature: warmwhite 2700 K  
Color rendering: > 90 Ra  
Electric wire: 2,5 m (8.2 ft)  
Base material: brass

TOLED – Ms polished, lacquered  
TOLED – Mt matt brushed, lacquered  
TOLED – Ni nickel-plated  
TOLED – Nm nickel-plated, matt brushed  
TOLED – Cr chrome-plated  
TOLED – Cu copper-plated, lacquered  
TOLED – Cm copper-plated, matt brushed, lacquered  
TOLED – Br bronzed, lacquered  
TOLED – Bd dark-bronzed, lacquered  
TOLED – RAL individually according to RAL card



# NOSTALGIA-W

## Wall lamp

Designed by: Jens Schump

Height: 31 cm (12.2")

Width: 19 cm (7.5")

Shade\*: Silk

Colour: white or black

Shape: conical or straight

Lampholder: 1 x E27, max. 150 W

Bulb: 1 x E27 LED á 1055 Lumen,  
7,8 W, 2700 °K, dimmable

Dimmer: possible via house installation (standard)\*\*

Base material: brass

NOSTALGIA-W – Ms polished, lacquered

NOSTALGIA-W – Mt matt brushed, lacquered

NOSTALGIA-W – Ni nickel-plated

NOSTALGIA-W – Nm nickel-plated, matt brushed

NOSTALGIA-W – Cr chrome-plated

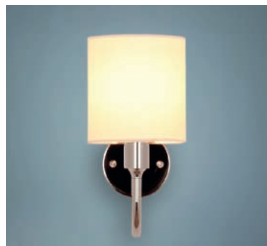
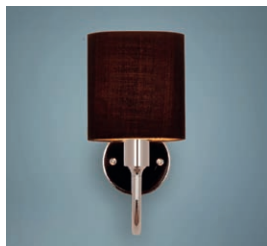
NOSTALGIA-W – Cu copper-plated, lacquered

NOSTALGIA-W – Cm copper-plated, matt brushed, lacquered

NOSTALGIA-W – Br bronzed, lacquered

NOSTALGIA-W – Bd dark-bronzed, lacquered

NOSTALGIA-W – RAL individually according to RAL card



\* Please specify the desired shape when ordering.

Silk according to sample card VS Manufaktur.

**With all silk shades, you have the option of sending us your own fabric and we will manufacture your individual shade in our in-house manufactory.**

If the shade is made from a different material: Surcharge according to effort.

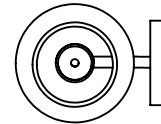
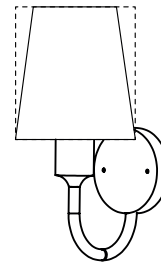
Fabric required: 50 x 25 cm (19.7" x 9.8")

\*\* LUN-DALI 25 W or Casambi Modul

Alternatively, we recommend (without obligation)

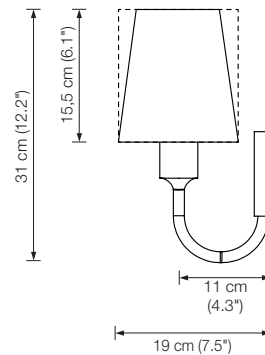
the following dimmer brands:

- Jung 1731DD
- Gira 540100 (System 3000)
- Feller 40200
- Berker 85421100
- Busch-Jaeger 64851U
- Kopp 8455
- Eltako EUD61NPL-230V



Conical Shade:  
Ø 14 cm, h 15,5 cm, Ø 10 cm  
(Ø 5.5", h 6.1", Ø 3.9")

Cylindrical Shade:  
Ø 14 cm, h 15,5 cm  
(Ø 5.5", h 6.1")







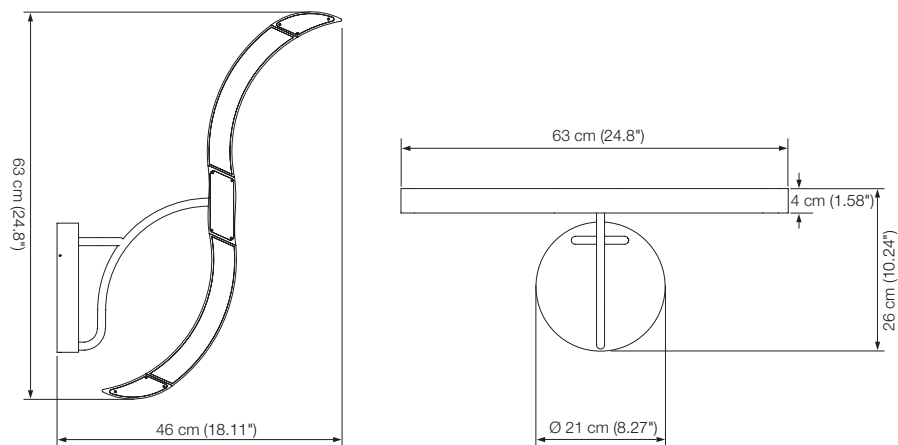
# SERPENTI-W

## Wall lamp

Designed by: Jens Schump

Height: 26 – 63 cm (10.24" – 24.8") adjustable  
Shade: 63 cm (24.8") long, 30 cm (11.81") wide  
Shade profile: 4 x 4 cm (1.58" x 1.58")  
Width: from 21 cm (8.27") to 63 cm (24.8") adjustable  
Depth: 46 cm (18.11")  
Illuminant: LED, 20.3 W, with glare protection, approx. 3000 Lumen  
Color rendering: > 90 Ra  
Dimmer: sweep sensor in the middle of the shade  
Cable: 3 m (9.85 ft) black (*standard*)  
Base material: brass

SERPENTI-W – Ms polished, lacquered  
SERPENTI-W – Mt matt brushed, lacquered  
SERPENTI-W – Ni nickel-plated  
SERPENTI-W – Nm nickel-plated, matt brushed  
SERPENTI-W – Cr chrome-plated  
SERPENTI-W – Cu copper-plated, lacquered  
SERPENTI-W – Cm copper-plated, matt brushed, lacquered  
SERPENTI-W – Br bronzed, lacquered  
SERPENTI-W – Bd dark-bronzed, lacquered  
SERPENTI-W – RAL individually according to RAL card





## PIN W dim

### Wall lamp

Designed by: Jens Schump

Height: 35 cm (13.8")

Width: 60 cm (23.6")

Bulb: 1 x LED-Line 150 (approx. 8,4 Watt) incl.  
exchangeable  
approx. 840 Lumen

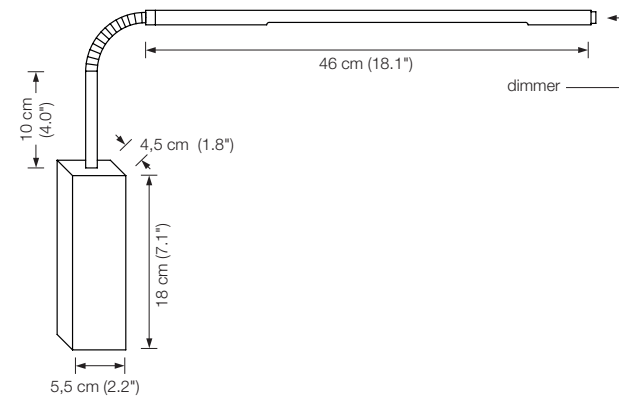
Color temperature: warmwhite 2700 K

Color rendering: > 90 Ra

Dimmer: built in

Base material: brass

- PIN W dim – Ms polished, lacquered
- PIN W dim – Mt matt brushed, lacquered
- PIN W dim – Ni nickel-plated
- PIN W dim – Nm nickel-plated, matt brushed
- PIN W dim – Cr chrome-plated
- PIN W dim – Cu copper-plated, lacquered
- PIN W dim – Cm copper-plated, matt brushed, lacquered
- PIN W dim – Br bronzed, lacquered
- PIN W dim – Bd dark-bronzed, lacquered
- PIN W dim – RAL individually according to RAL card



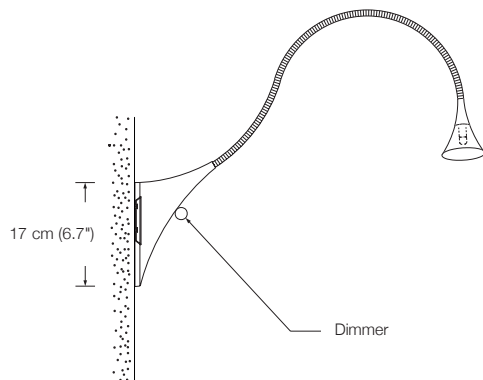
# VAO

Wall lamp,  
flexible and specially reinforced metal arm

Designed by: Florian Schulz

Height: approx. 44 cm (17.3")  
Shade: TEFLON white, Ø 7 cm (2.8")  
Lampholder: GY6.35, max. 20 W / 12 V  
Bulb: 1 x G6 incl., 35 W  $\hat{=}$  50 W, dimmable  
Dimmer: built in  
Base material: brass

VAO – Ms polished, lacquered  
VAO – Mt matt brushed, lacquered  
VAO – Ni nickel-plated  
VAO – Nm nickel-plated, matt brushed  
VAO – Cr chrome-plated  
VAO – Cu copper-plated, lacquered  
VAO – Cm copper-plated, matt brushed, lacquered  
VAO – Br bronzed, lacquered  
VAO – Bd dark-bronzed, lacquered  
VAO – RAL individually according to RAL card





## GEA

### Wall lamp

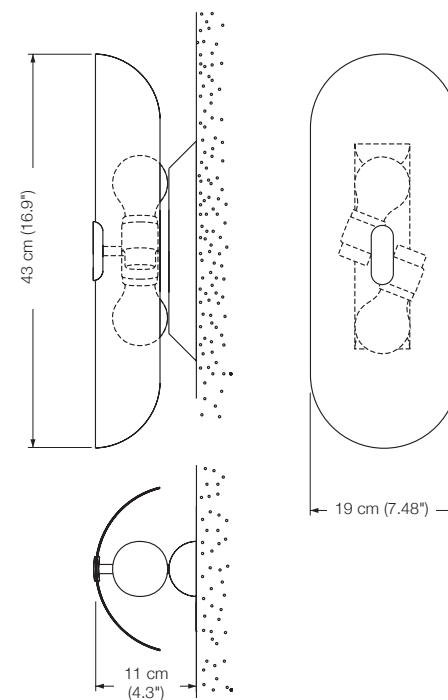
Designed by: Florian Schulz

Height: 43 cm (16.9")  
 Shade: glass white-opal  
 Lampholder: 2 x E27, max. 2 x 100 W  
 Bulb: 2 x E27 LED á 1055 Lumen, 10,5 W incl., dimmable  
 Dimmer: possible via house installation (*standard*)\*  
 Base material: brass

GEA – Ms polished, lacquered  
 GEA – Mt matt brushed, lacquered  
 GEA – Ni nickel-plated  
 GEA – Nm nickel-plated, matt brushed  
 GEA – Cr chrome-plated  
 GEA – Cu copper-plated, lacquered  
 GEA – Cm copper-plated, matt brushed, lacquered  
 GEA – Br bronzed, lacquered  
 GEA – Bd dark-bronzed, lacquered  
 GEA – RAL individually according to RAL card

\* LUN-DALI 25 W or Casambi Modul  
 Alternatively, we recommend (*without obligation*)

the following dimmer brands:  
 - Jung 1731DD  
 - Gira 540100 (*System 3000*)  
 - Feller 40200  
 - Berker 85421100  
 - Busch-Jaeger 64851U  
 - Kopp 8455  
 - Eitako EUD61NPL-230V



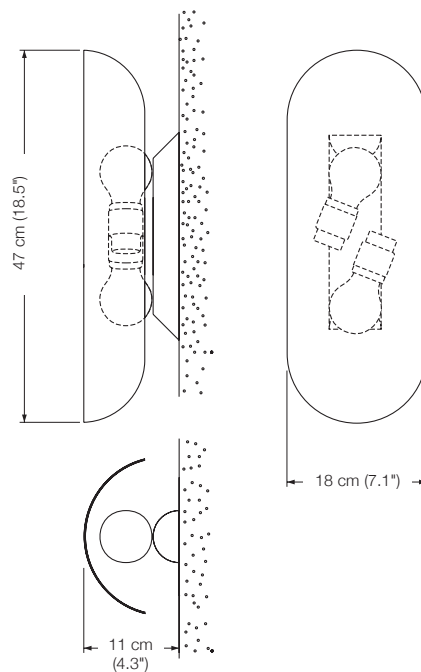
## ALIA

### Wall lamp, indirect light

Designed by: Florian Schulz

Height: 47 cm (18.5")  
Shade: metal  
Lampholder: 2 x E27, max. 2 x 100 W  
Bulb: 2 x E27 LED á 1055 Lumen, 10,5 W incl., dimmable  
Dimmer: possible via house installation (*standard*)\*  
Base material: brass

ALIA – Ms polished, lacquered  
ALIA – Mt matt brushed, lacquered  
ALIA – Ni nickel-plated  
ALIA – Nm nickel-plated, matt brushed  
ALIA – Cr chrome-plated  
ALIA – Cu copper-plated, lacquered  
ALIA – Cm copper-plated, matt brushed, lacquered  
ALIA – Br bronzed, lacquered  
ALIA – Bd dark-bronzed, lacquered  
ALIA – RAL individually according to RAL card



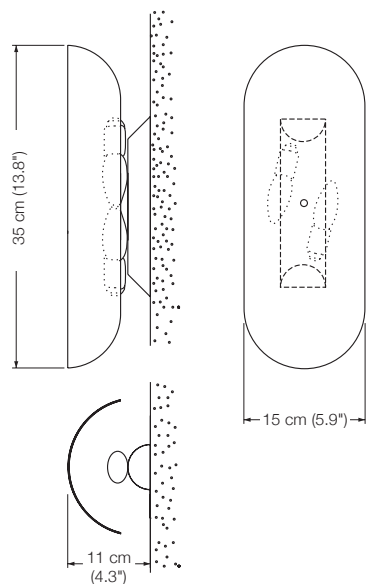
## ALEA

### Wall lamp, indirect light

Designed by: Florian Schulz + Jens Schump

Height: 35 cm (13.8")  
Shade: metal  
Lampholder: 2 x E14, max. 60W  
Bulb: 2 x E14 LED á 806 Lumen, 2700° K, 8 W incl., dimmable  
Dimmer: possible via house installation (*standard*)\*  
Base material: brass

ALEA – Ms polished, lacquered  
ALEA – Mt matt brushed, lacquered  
ALEA – Ni nickel-plated  
ALEA – Nm nickel-plated, matt brushed  
ALEA – Cr chrome-plated  
ALEA – Cu copper-plated, lacquered  
ALEA – Cm copper-plated, matt brushed, lacquered  
ALEA – Br bronzed, lacquered  
ALEA – Bd dark-bronzed, lacquered  
ALEA – RAL individually according to RAL card



\* LUN-DALI 25 W or Casambi Modul

Alternatively, we recommend (*without obligation*)

the following dimmer brands:

- Jung 1731DD
- Gira 540100 (*System 3000*)
- Feller 40200
- Berker 85421100
- Busch-Jaeger 64851U
- Kopp 8455
- Eltako EUD61NPL-230V





## BEO

**Wall and Stairway lamp**  
**direct and indirect light**  
**glass diffuser top and bottom**

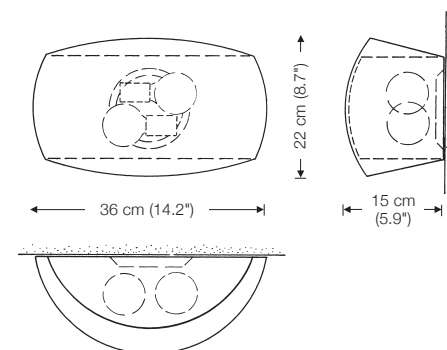
Designed by: Florian Schulz

Width: 36 cm (14.2")  
 Lampholder: 2 x E27, max. 2 x 100 W  
 Bulb: 2 x E27 LED á 1055 Lumen, 10,5 W incl., dimmable  
 2700° K, 11 W  $\hat{=}$  75 W  
 Dimmer: possible via house installation (*standard*)\*  
 Base material: brass

BEO – Ms polished, lacquered  
 BEO – Mt matt brushed, lacquered  
 BEO – Ni nickel-plated  
 BEO – Nm nickel-plated, matt brushed  
 BEO – Cr chrome-plated  
 BEO – Cu copper-plated, lacquered  
 BEO – Cm copper-plated, matt brushed, lacquered  
 BEO – Br bronzed, lacquered  
 BEO – Bd dark-bronzed, lacquered  
 BEO – RAL individually according to RAL card

\* LUN-DALI 25 W or Casambi Modul  
 Alternatively, we recommend (*without obligation*)

the following dimmer brands:  
 - Jung 1731DD  
 - Gira 540100 (*System 3000*)  
 - Feller 40200  
 - Berker 85421100  
 - Busch-Jaeger 64851U  
 - Kopp 8455  
 - Eltako EUD61NPL-230V



## WED

### Wall lamp

Designed by: Florian Schulz

Width: 40 cm (15.7")

Lampholder: GU5.3

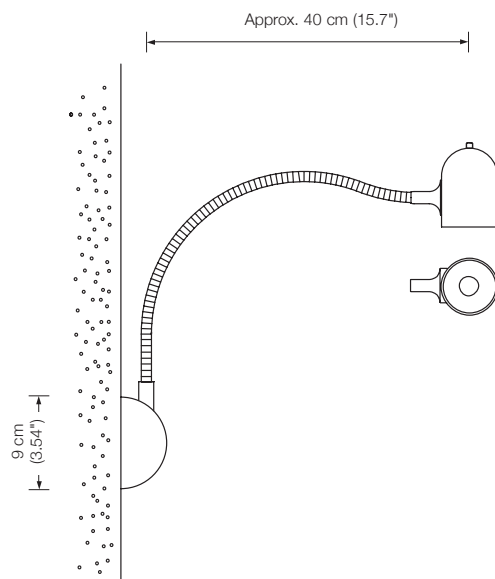
Bulb: 1 x GU5.3 incl.  
approx. 660 Lumen

Color temperature: warmwhite 2700 K

Color rendering: > 90 Ra

Base material: brass

WED – Ms	polished, lacquered
WED – Mt	matt brushed, lacquered
WED – Ni	nickel-plated
WED – Nm	nickel-plated, matt brushed
WED – Cr	chrome-plated
WED – Cu	copper-plated, lacquered
WED – Cm	copper-plated, matt brushed, lacquered
WED – Br	bronzed, lacquered
WED – Bd	dark-bronzed, lacquered
WED – RAL	individually according to RAL card



## ERA 33

### Wall lamp

Designed by: Florian Schulz  
Width: 33 cm (13")  
bottom glass diffuser  
Lampholder: 2 x G9, max. 2 x 75 W / 230 V  
Bulb: 2 x G9, 60 W incl.  
Dimmer: possible via house installation (standard)\*  
Base material: brass

ERA 33 – Ms polished, lacquered  
ERA 33 – Mt matt brushed, lacquered  
ERA 33 – Ni nickel-plated  
ERA 33 – Nm nickel-plated, matt brushed  
ERA 33 – Cr chrome-plated  
ERA 33 – Cu copper-plated, lacquered  
ERA 33 – Cm copper-plated, matt brushed, lacquered  
ERA 33 – Br bronzed, lacquered  
ERA 33 – Bd dark-bronzed, lacquered  
ERA 33 – RAL individually according to RAL card

Optional: Additional top glass diffuser

Please indicate with order

## ERA 40

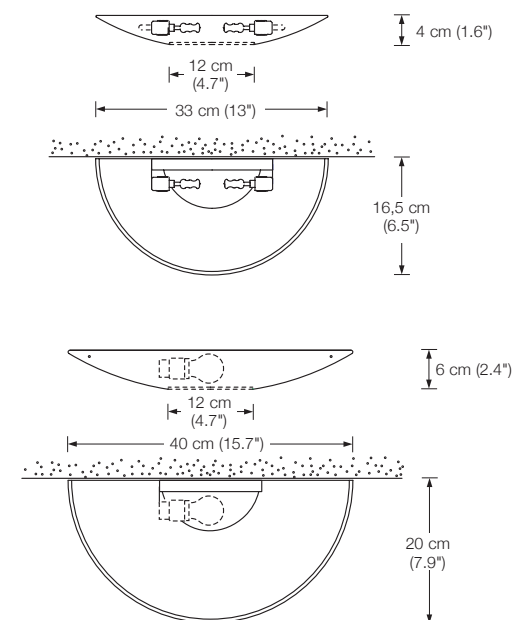
### Wall lamp

Designed by: Florian Schulz  
Width: 40 cm (15.7")  
bottom glass diffuser  
Lampholder: E27, max. 100 W  
Bulb: 1 x E27, 14,5 W incl.  
Dimmer: possible via house installation (standard)\*  
Base material: brass

ERA 40 – Ms polished, lacquered  
ERA 40 – Mt matt brushed, lacquered  
ERA 40 – Ni nickel-plated  
ERA 40 – Nm nickel-plated, matt brushed  
ERA 40 – Cr chrome-plated  
ERA 40 – Cu copper-plated, lacquered  
ERA 40 – Cm copper-plated, matt brushed, lacquered  
ERA 40 – Br bronzed, lacquered  
ERA 40 – Bd dark-bronzed, lacquered  
ERA 40 – RAL individually according to RAL card

Optional: Additional top glass diffuser

Please indicate with order



\* Alternatively, we recommend (without obligation) the following dimmer brands:

- Jung 1731DD      - Feller 40200      - Busch-Jaeger 64851U      - Eltako EUD61NPL-230V  
- Gira 540100 (System 3000)      - Berker 85421100      - Kopp 8455





## **BLOC** *Discontinued Model. Only while stocks last.*

### **Wall lamp**

Designed by: Florian Schulz

Height: 5 cm (1.97")

Width: 32 cm (12.6")

Depth: 4 cm (1.6")

Bulb: 2 x LED 150 (approx. 12 Watt) incl.  
exchangeable  
approx. 1200 Lumen

Color temperature: warmwhite 2700 K

Color rendering: > 90 Ra

Dimmer: possible via house installation (*standard*)\*

Base material: brass

BLOC – Ms polished, lacquered

BLOC – Mt matt brushed, lacquered

BLOC – Ni nickel-plated

BLOC – Nm nickel-plated, matt brushed

BLOC – Cr chrome-plated

BLOC – Cu copper-plated, lacquered

BLOC – Cm copper-plated, matt brushed, lacquered

BLOC – Br bronzed, lacquered

BLOC – Bd dark-bronzed, lacquered

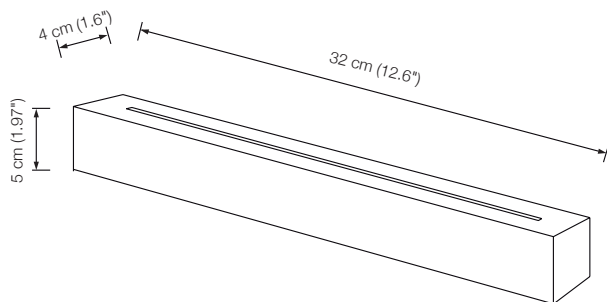
BLOC – RAL individually according to RAL card

\* LUN-DALI 25 W or Casambi Modul

Alternatively, we recommend (*without obligation*)

the following dimmer brands:

- Jung 1731DD
- Gira 540100 (*System 3000*)
- Feller 40200
- Berker 85421100
- Busch-Jaeger 64851U
- Kopp 8455
- Eitako EUD61NPL-230V



## NOSTALGIA-D

### Ceiling lamp

Designed by: Jens Schump

Height: ca. 92 cm (36.2")

Shade\*: 2 x Silk

Colour: white or black

Shape: conical or straight

Lampholder: 2 x E27, max. 150 W

Bulb: 2 x E27 LED á 1055 Lumen,  
7,8 W, 2700 °K, dimmable

Dimmer: possible via house installation (*standard*)\*\*

Base material: brass

NOSTALGIA-D – Ms polished, lacquered

NOSTALGIA-D – Mt matt brushed, lacquered

NOSTALGIA-D – Ni nickel-plated

NOSTALGIA-D – Nm nickel-plated, matt brushed

NOSTALGIA-D – Cr chrome-plated

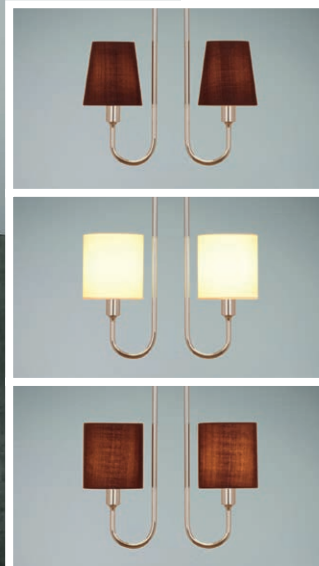
NOSTALGIA-D – Cu copper-plated, lacquered

NOSTALGIA-D – Cm copper-plated, matt brushed, lacquered

NOSTALGIA-D – Br bronzed, lacquered

NOSTALGIA-D – Bd dark-bronzed, lacquered

NOSTALGIA-D – RAL individually according to RAL card



\* Please specify the desired shape when ordering.  
Silk according to sample card VS Manufaktur.

**With all silk shades, you have the option of sending us your own fabric and we will manufacture your individual shade in our in-house manufactory.**

If the shade is made from a different material:

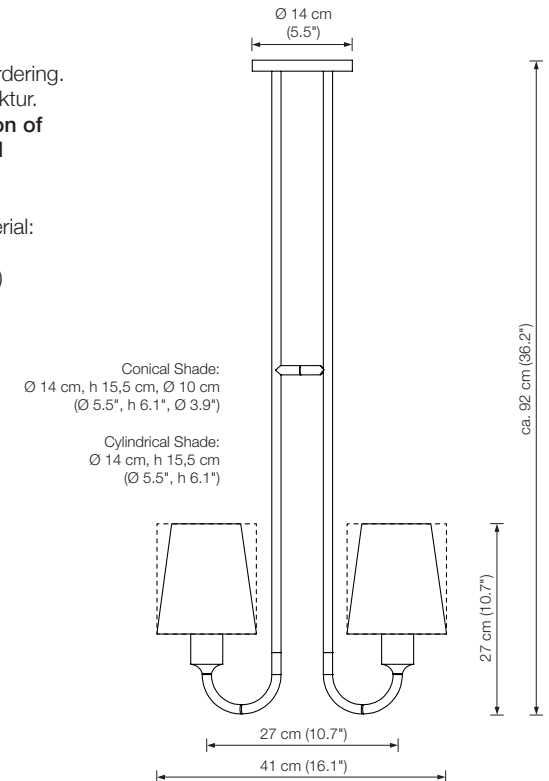
Surcharge according to effort.

Fabric required: 50 x 25 cm (19.7" x 9.8")

\*\* LUN-DALI 25 W or Casambi Modul

Alternatively, we recommend (*without obligation*)  
the following dimmer brands:

- Jung 1731DD
- Gira 540100 (*System 3000*)
- Feller 40200
- Berker 85421100
- Busch-Jaeger 64851U
- Kopp 8455
- Eitako EUD61NPL-230V



## EREA 55

### Ceiling lamp

Designed by: Florian Schulz

Height: standard 60 cm (23.6")  
or on request  
(min. 40 cm (15.7") to max. 200 cm (78.7"))  
Shade: glass white-opal Ø 55 cm (21.7")  
Lampholder: 6 x E14, max. 6 x 60 W  
Dimmer: possible via house installation (*standard*)\*  
Base material: brass

EREA 55 – Ms polished, lacquered  
EREA 55 – Mt matt brushed, lacquered  
EREA 55 – Ni nickel-plated  
EREA 55 – Nm nickel-plated, matt brushed  
EREA 55 – Cr chrome-plated  
EREA 55 – Cu copper-plated, lacquered  
EREA 55 – Cm copper-plated, matt brushed, lacquered  
EREA 55 – Br bronzed, lacquered  
EREA 55 – Bd dark-bronzed, lacquered  
EREA 55 – RAL individually according to RAL card

## EREA 80

### Ceiling lamp

Designed by: Florian Schulz

Height: standard 100 cm (39.4")  
or on request  
(min. 60 cm (23.6") to max. 200 cm (78.7"))  
Shade: glass white-opal Ø 80 cm (31.5")  
Lampholder: 6 x E27, max. 6 x 205 W  
Dimmer: possible via house installation (*standard*)\*  
Base material: brass

EREA 80 – Ms polished, lacquered  
EREA 80 – Mt matt brushed, lacquered  
EREA 80 – Ni nickel-plated  
EREA 80 – Nm nickel-plated, matt brushed  
EREA 80 – Cr chrome-plated  
EREA 80 – Cu copper-plated, lacquered  
EREA 80 – Cm copper-plated, matt brushed, lacquered  
EREA 80 – Br bronzed, lacquered  
EREA 80 – Bd dark-bronzed, lacquered  
EREA 80 – RAL individually according to RAL card

\* LUN-DALI 25 W or Casambi Modul  
Alternatively, we recommend (*without obligation*)  
the following dimmer brands:

- Jung 1731DD  
- Gira 540100 (*System 3000*)  
- Feller 40200  
- Berker 85421100  
- Busch-Jaeger 64851U  
- Kopp 8455  
- Eltako EUD61NPL-230V





## SOLA 80

**Ceiling lamp**  
**direct and indirect light**  
**bottom glass diffuser**

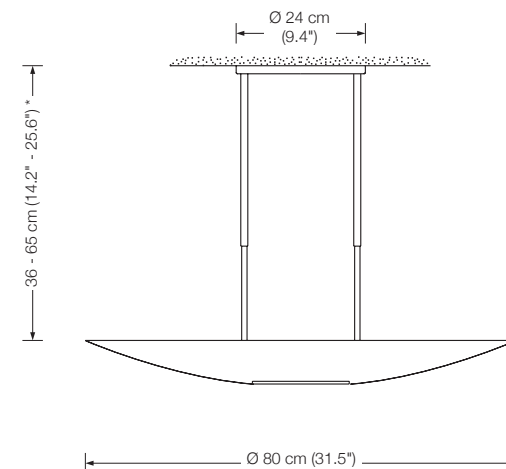
Designed by: Florian Schulz

Height: 36 - 65 cm (14.2" - 25.6") adjustable  
 special length on request  
 Shade: metal Ø 80 cm (31.5")  
 Lampholder: R7s, max. 500 W  
 Bulb: 1 x R7s incl.  
 Dimmer: possible via house installation (*standard*)\*  
 Base material: brass

SOLA 80 – Ms polished, lacquered  
 SOLA 80 – Mt matt brushed, lacquered  
 SOLA 80 – Ni nickel-plated  
 SOLA 80 – Nm nickel-plated, matt brushed  
 SOLA 80 – Cr chrome-plated  
 SOLA 80 – Cu copper-plated, lacquered  
 SOLA 80 – Cm copper-plated, matt brushed, lacquered  
 SOLA 80 – Br bronzed, lacquered  
 SOLA 80 – Bd dark-bronzed, lacquered  
 SOLA 80 – RAL individually according to RAL card

\* LUN-DALI 25 W or Casambi Modul  
 Alternatively, we recommend (*without obligation*)  
 the following dimmer brands:

- Jung 1731DD	- Busch-Jaeger 64851U
- Gira 540100 ( <i>System 3000</i> )	- Kopp 8455
- Feller 40200	- Eltako EUD61NPL-230V
- Berker 85421100	



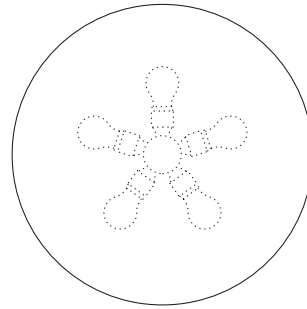
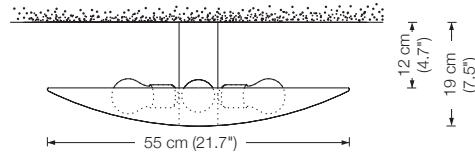
## SELA 55

### Ceiling lamp, indirect lighting

Designed by: Florian Schulz

Shade: metal Ø 55 cm (21.7")  
 Lampholder: 5 x E27, max. 5 x 100 W  
 Dimmer: possible via house installation (standard)\*  
 Base material: brass

SELA 55 – Ms polished, lacquered  
 SELA 55 – Mt matt brushed, lacquered  
 SELA 55 – Ni nickel-plated  
 SELA 55 – Nm nickel-plated, matt brushed  
 SELA 55 – Cr chrome-plated  
 SELA 55 – Cu copper-plated, lacquered  
 SELA 55 – Cm copper-plated, matt brushed, lacquered  
 SELA 55 – Br bronzed, lacquered  
 SELA 55 – Bd dark-bronzed, lacquered  
 SELA 55 – RAL individually according to RAL card  
 By request: 5 x E27 LED-bulb (75 W)  
 Please indicate with order.



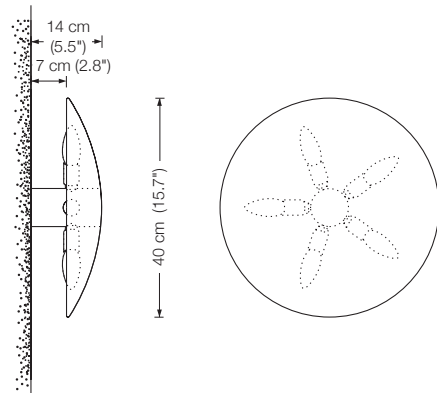
## SELA 40

### Ceiling lamp, indirect lighting

Designed by: Florian Schulz

Shade: metal Ø 40 cm (15.7")  
 Lampholder: 5 x E14, max. 5 x 60 W  
 Dimmer: possible via house installation (standard)\*  
 Base material: brass

SELA 40 – Ms polished, lacquered  
 SELA 40 – Mt matt brushed, lacquered  
 SELA 40 – Ni nickel-plated  
 SELA 40 – Nm nickel-plated, matt brushed  
 SELA 40 – Cr chrome-plated  
 SELA 40 – Cu copper-plated, lacquered  
 SELA 40 – Cm copper-plated, matt brushed, lacquered  
 SELA 40 – Br bronzed, lacquered  
 SELA 40 – Bd dark-bronzed, lacquered  
 SELA 40 – RAL individually according to RAL card  
 By request: 5 x E14 LED-bulb (60 W)  
 Please indicate with order.



Special length (distance to wall / ceiling) on request.

\* LUN-DALI 25 W or Casambi Modul  
 Alternatively, we recommend (without obligation)  
 the following dimmer brands:  
 - Jung 1731DD  
 - Gira 540100 (System 3000)  
 - Feller 40200  
 - Berker 85421100  
 - Busch-Jaeger 64851U  
 - Kopp 8455  
 - Eltako EUD61NPL-230V





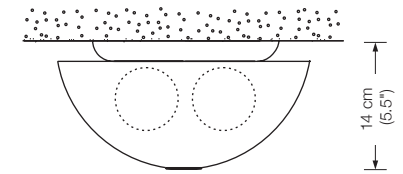
## OLA 25

### Ceiling lamp

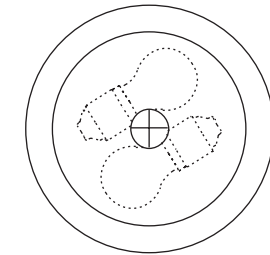
Designed by: Florian Schulz

Height: 14 cm (5.5")  
 Shade: glass white-opal, Ø 25 cm (9.8")  
 Lampholder: 2 x E27, max. 2 x 100 W  
 Bulb: 2 x E27 LED á 1055 Lumen, 10,5 W incl., dimmable  
 2700° K, 10,5 W  $\hat{=}$  75 W  
 Dimmer: possible via house installation\*  
 Base material: brass

OLA 25 – Ms polished, lacquered  
 OLA 25 – Mt matt brushed, lacquered  
 OLA 25 – Ni nickel-plated  
 OLA 25 – Nm nickel-plated, matt brushed  
 OLA 25 – Cr chrome-plated  
 OLA 25 – Cu copper-plated, lacquered  
 OLA 25 – Cm copper-plated, matt brushed, lacquered  
 OLA 25 – Br bronzed, lacquered  
 OLA 25 – Bd dark-bronzed, lacquered  
 OLA 25 – RAL individually according to RAL card



Ø 25 cm (9.8")



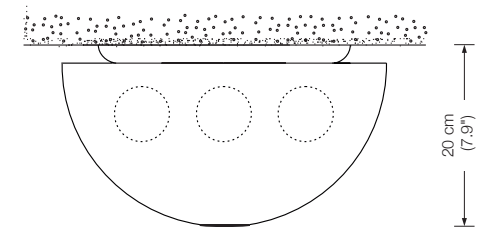
## OLA 36

### Ceiling lamp

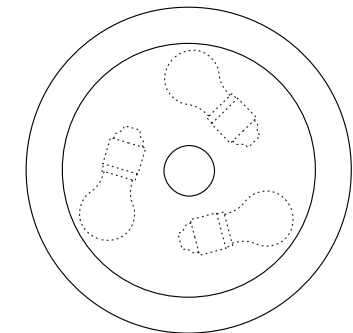
Designed by: Florian Schulz

Height: 20 cm (7.9")  
 Shade: glass white-opal, Ø 36 cm (14.2")  
 Lampholder: 3 x E27, max. 3 x 100 W  
 Bulb: 3 x E27 LED á 1055 Lumen, 10,5 W incl., dimmable  
 2700° K, 10,5 W  $\hat{=}$  75 W  
 Dimmer: possible via house installation\*  
 Base material: brass

OLA 36 – Ms polished, lacquered  
 OLA 36 – Mt matt brushed, lacquered  
 OLA 36 – Ni nickel-plated  
 OLA 36 – Nm nickel-plated, matt brushed  
 OLA 36 – Cr chrome-plated  
 OLA 36 – Cu copper-plated, lacquered  
 OLA 36 – Cm copper-plated, matt brushed, lacquered  
 OLA 36 – Br bronzed, lacquered  
 OLA 36 – Bd dark-bronzed, lacquered  
 OLA 36 – RAL individually according to RAL card



Ø 36 cm (14.2")



\* LUN-DALI 25 W or Casambi Modul

Alternatively, we recommend (without obligation)

the following dimmer brands:

- Jung 1731DD  
 - Gira 540100 (System 3000)  
 - Feller 40200  
 - Berker 85421100  
 - Busch-Jaeger 64851U  
 - Kopp 8455  
 - Eltako EUD61NPL-230V

## GELA

Designed by: Florian Schulz  
 Shade: glass white-opal  
 Dimmer: possible via house installation (standard)\*  
 Base material: brass

### GELA 40 Wall-/ Ceiling lamp, Shade Ø 40 cm (15.7")

Lampholder: 5 x E14, max. 5 x 60 W

GELA 40 – Ms polished, lacquered  
 GELA 40 – Mt matt brushed, lacquered  
 GELA 40 – Ni nickel-plated  
 GELA 40 – Nm nickel-plated, matt brushed  
 GELA 40 – Cr chrome-plated  
 GELA 40 – Cu copper-plated, lacquered  
 GELA 40 – Cm copper-plated, matt brushed, lacquered  
 GELA 40 – Br bronzed, lacquered  
 GELA 40 – Bd dark-bronzed, lacquered  
 GELA 40 – RAL individually according to RAL card  
 By request: 5 x E14 LED-bulb (60 W)

Please indicate with order.

### GELA 55 Ceiling lamp, Shade Ø 55 cm (21.7")

Lampholder: 5 x E27, max. 5 x 100 W

GELA 55 – Ms polished, lacquered  
 GELA 55 – Mt matt brushed, lacquered  
 GELA 55 – Ni nickel-plated  
 GELA 55 – Nm nickel-plated, matt brushed  
 GELA 55 – Cr chrome-plated  
 GELA 55 – Cu copper-plated, lacquered  
 GELA 55 – Cm copper-plated, matt brushed, lacquered  
 GELA 55 – Br bronzed, lacquered  
 GELA 55 – Bd dark-bronzed, lacquered  
 GELA 55 – RAL individually according to RAL card  
 By request: 5 x E27 LED-bulb (75 W)

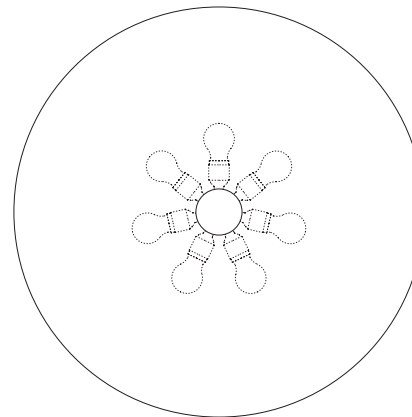
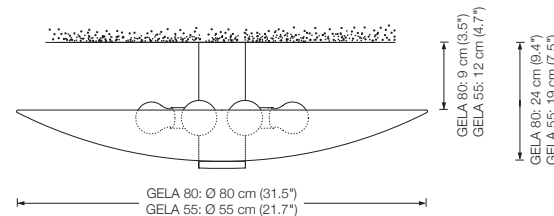
Please indicate with order.

### GELA 80 Ceiling lamp, Shade Ø 80 cm (31.5")

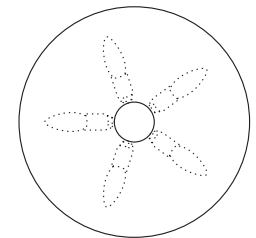
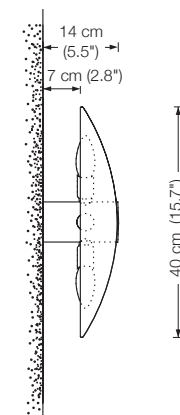
Lampholder: 7 x E27, max. 7 x 100 W

GELA 80 – Ms polished, lacquered  
 GELA 80 – Mt matt brushed, lacquered  
 GELA 80 – Ni nickel-plated  
 GELA 80 – Nm nickel-plated, matt brushed  
 GELA 80 – Cr chrome-plated  
 GELA 80 – Cu copper-plated, lacquered  
 GELA 80 – Cm copper-plated, matt brushed, lacquered  
 GELA 80 – Br bronzed, lacquered  
 GELA 80 – Bd dark-bronzed, lacquered  
 GELA 80 – RAL individually according to RAL card  
 By request: 7 x E27 LED-bulb (75 W)

Please indicate with order.



GELA 40



\* LUN-DALI 25 W or Casambi Modul  
 Alternatively, we recommend (without obligation)  
 the following dimmer brands:  
 - Jung 1731DD  
 - Gira 540100 (System 3000)  
 - Feller 40200  
 - Berker 85421100  
 - Busch-Jaeger 64851U  
 - Kopp 8455  
 - Eltako EUD61NPL-230V

Special length (distance to wall / ceiling) on request.



## DUOS 36 P – Pendant

### Pendant lamp

Canopy: Ø 12 cm (4.7")  
 Shade: metal Ø 36 cm (14.2")  
 Lampholder: E27, max. 100 W

DUOS 36 P – Ms polished, lacquered  
 DUOS 36 P – Mt matt brushed, lacquered  
 DUOS 36 P – Ni nickel-plated  
 DUOS 36 P – Nm nickel-plated, matt brushed  
 DUOS 36 P – Cr chrome-plated  
 DUOS 36 P – Cu copper-plated, lacquered  
 DUOS 36 P – Cm copper-plated, matt brushed, lacquered  
 DUOS 36 P – Br bronzed, lacquered  
 DUOS 36 P – Bd dark-bronzed, lacquered  
 DUOS 36 P – RAL individually according to RAL card



## DUOS 36 M – Center pull

### Adjustable pendant lamp

Canopy: Ø 9 cm (3.5")  
 Shade: metal Ø 36 cm (14.2")  
 Lampholder: E27, max. 100 W

DUOS 36 M – Ms polished, lacquered  
 DUOS 36 M – Mt matt brushed, lacquered  
 DUOS 36 M – Ni nickel-plated  
 DUOS 36 M – Nm nickel-plated, matt brushed  
 DUOS 36 M – Cr chrome-plated  
 DUOS 36 M – Cu copper-plated, lacquered  
 DUOS 36 M – Cm copper-plated, matt brushed, lacquered  
 DUOS 36 M – Br bronzed, lacquered  
 DUOS 36 M – Bd dark-bronzed, lacquered  
 DUOS 36 M – RAL individually according to RAL card



## DUOS 36 S – Side pull

### Adjustable pendant lamp

Canopy: Ø 7 cm (2.8")  
 Shade: metal Ø 36 cm (14.2")  
 Lampholder: E27, max. 100 W

DUOS 36 S – Ms polished, lacquered  
 DUOS 36 S – Mt matt brushed, lacquered  
 DUOS 36 S – Ni nickel-plated  
 DUOS 36 S – Nm nickel-plated, matt brushed  
 DUOS 36 S – Cr chrome-plated  
 DUOS 36 S – Cu copper-plated, lacquered  
 DUOS 36 S – Cm copper-plated, matt brushed, lacquered  
 DUOS 36 S – Br bronzed, lacquered  
 DUOS 36 S – Bd dark-bronzed, lacquered  
 DUOS 36 S – RAL individually according to RAL card





## DUOS 36 R – Straight pull ceiling mounted

### Adjustable pendant lamp

Shade: metal Ø 36 cm (14.2")  
Lampholder: E27, max. 100 W  
Dimmer: built in

DUOS 36 R – Ms	polished, lacquered
DUOS 36 R – Mt	matt brushed, lacquered
DUOS 36 R – Ni	nickel-plated
DUOS 36 R – Nm	nickel-plated, matt brushed
DUOS 36 R – Cr	chrome-plated
DUOS 36 R – Cu	copper-plated, lacquered
DUOS 36 R – Cm	copper-plated, matt brushed, lacquered
DUOS 36 R – Br	bronzed, lacquered
DUOS 36 R – Bd	dark-bronzed, lacquered
DUOS 36 R – RAL	individually according to RAL card



## DUOS 36 D – Double pull

### Adjustable pendant lamp

Canopy: Ø 7 cm (2.8")  
Shade: metal Ø 36 cm (14.2")  
Lampholder: 2 x E27, max. 2 x 100 W

DUOS 36 D – Ms	polished, lacquered
DUOS 36 D – Mt	matt brushed, lacquered
DUOS 36 D – Ni	nickel-plated
DUOS 36 D – Nm	nickel-plated, matt brushed
DUOS 36 D – Cr	chrome-plated
DUOS 36 D – Cu	copper-plated, lacquered
DUOS 36 D – Cm	copper-plated, matt brushed, lacquered
DUOS 36 D – Br	bronzed, lacquered
DUOS 36 D – Bd	dark-bronzed, lacquered
DUOS 36 D – RAL	individually according to RAL card



Designed by: Florian Schulz + Jens Schump  
Base material: brass  
Textile cable black.  
On request: white, brown, gold, silver.

Control modules possible for pendant lamps,  
center, side and double pull:

LUN-DALI 25 W (Canopy Ø 12 cm)

Casambi Modu (Canopy Ø 12 cm)

Alternatively, we recommend (without obligation)  
the following dimmer brands:

- Jung 1731DD
- Gira 540100 (System 3000)
- Feller 40200
- Berker 85421100
- Busch-Jaeger 64851U
- Kopp 8455
- Eitako EUD61NPL-230V





## POSA 36 P – Pendant

### Pendant lamp

Canopy: Ø 12 cm (4.7")  
 Shade: glass white-opal, Ø 36 cm (14.2")  
 Lampholder: E27, max. 100 W

POSA 36 P – Ms polished, lacquered  
 POSA 36 P – Mt matt brushed, lacquered  
 POSA 36 P – Ni nickel-plated  
 POSA 36 P – Nm nickel-plated, matt brushed  
 POSA 36 P – Cr chrome-plated  
 POSA 36 P – Cu copper-plated, lacquered  
 POSA 36 P – Cm copper-plated, matt brushed, lacquered  
 POSA 36 P – Br bronzed, lacquered  
 POSA 36 P – Bd dark-bronzed, lacquered  
 POSA 36 P – RAL individually according to RAL card



## POSA 36 M – Center pull

### Adjustable pendant lamp

Canopy: Ø 9 cm (3.5")  
 Shade: glass white-opal, Ø 36 cm (14.2")  
 Lampholder: E27, max. 100 W

POSA 36 M – Ms polished, lacquered  
 POSA 36 M – Mt matt brushed, lacquered  
 POSA 36 M – Ni nickel-plated  
 POSA 36 M – Nm nickel-plated, matt brushed  
 POSA 36 M – Cr chrome-plated  
 POSA 36 M – Cu copper-plated, lacquered  
 POSA 36 M – Cm copper-plated, matt brushed, lacquered  
 POSA 36 M – Br bronzed, lacquered  
 POSA 36 M – Bd dark-bronzed, lacquered  
 POSA 36 M – RAL individually according to RAL card



## POSA 36 S – Side pull

### Adjustable pendant lamp

Canopy: Ø 7 cm (2.8")  
 Shade: glass white-opal, Ø 36 cm (14.2")  
 Lampholder: E27, max. 100 W

POSA 36 S – Ms polished, lacquered  
 POSA 36 S – Mt matt brushed, lacquered  
 POSA 36 S – Ni nickel-plated  
 POSA 36 S – Nm nickel-plated, matt brushed  
 POSA 36 S – Cr chrome-plated  
 POSA 36 S – Cu copper-plated, lacquered  
 POSA 36 S – Cm copper-plated, matt brushed, lacquered  
 POSA 36 S – Br bronzed, lacquered  
 POSA 36 S – Bd dark-bronzed, lacquered  
 POSA 36 S – RAL individually according to RAL card



## POSA 36 R – Straight pull ceiling mounted

### Adjustable pendant lamp

Shade: glass white-opal, Ø 36 cm (14.2")  
Lampholder: E27, max. 100 W  
Dimmer: built in

POSA 36 R – Ms	polished, lacquered
POSA 36 R – Mt	matt brushed, lacquered
POSA 36 R – N	nickel-plated
POSA 36 R – Nm	nickel-plated, matt brushed
POSA 36 R – Cr	chrome-plated
POSA 36 R – Cu	copper-plated, lacquered
POSA 36 R – Cm	copper-plated, matt brushed, lacquered
POSA 36 R – Br	bronzed, lacquered
POSA 36 R – Bd	dark-bronzed, lacquered
POSA 36 R – RAL	individually according to RAL card



## POSA 36 D – Double pull

### Adjustable pendant lamp

Canopy: Ø 7 cm (2.8")  
Shade: glass white-opal, Ø 36 cm (14.2")  
Lampholder: 2 x E27, max. 2 x 100 W

POSA 36 D – Ms	polished, lacquered
POSA 36 D – Mt	matt brushed, lacquered
POSA 36 D – Ni	nickel-plated
POSA 36 D – Nm	nickel-plated, matt brushed
POSA 36 D – Cr	chrome-plated
POSA 36 D – Cu	copper-plated, lacquered
POSA 36 D – Cm	copper-plated, matt brushed, lacquered
POSA 36 D – Br	bronzed, lacquered
POSA 36 D – Bd	dark-bronzed, lacquered
POSA 36 D – RAL	individually according to RAL card



Designed by: Florian Schulz + Jens Schump

Base material: brass

Textile cable black.

On request: white, brown, gold, silver.

Control modules possible for pendant lamps,

center, side and double pull:

LUN-DALI 25 W (Canopy Ø 12 cm)

Casambi Modu (Canopy Ø 12 cm)

Alternatively, we recommend (without obligation)

the following dimmer brands:

- Jung 1731DD

- Gira 540100 (System 3000)

- Feller 40200

- Berker 85421100

- Busch-Jaeger 64851U

- Kopp 8455

- Eitako EUD61NPL-230V



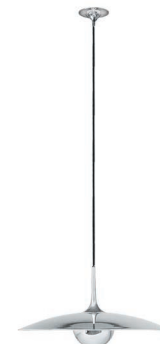


## ONOS 55 P – Pendant

### Pendant lamp

Canopy: Ø 12 cm (4.7")  
 Shade: metal Ø 55 cm (21.7"), metal light diffuser  
 Lampholder: E27, max. 100 W

ONOS 55 P – Ms polished, lacquered  
 ONOS 55 P – Mt matt brushed, lacquered  
 ONOS 55 P – Ni nickel-plated  
 ONOS 55 P – Nm nickel-plated, matt brushed  
 ONOS 55 P – Cr chrome-plated  
 ONOS 55 P – Cu copper-plated, lacquered  
 ONOS 55 P – Cm copper-plated, matt brushed, lacquered  
 ONOS 55 P – Br bronzed, lacquered  
 ONOS 55 P – Bd dark-bronzed, lacquered  
 ONOS 55 P – RAL individually according to RAL card

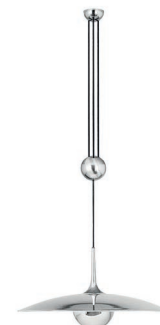


## ONOS 55 M – Center pull

### Adjustable pendant lamp

Canopy: Ø 9 cm (3.5")  
 Shade: metal Ø 55 cm (21.7"), metal light diffuser  
 Lampholder: E27, max. 100 W

ONOS 55 M – Ms polished, lacquered  
 ONOS 55 M – Mt matt brushed, lacquered  
 ONOS 55 M – Ni nickel-plated  
 ONOS 55 M – Nm nickel-plated, matt brushed  
 ONOS 55 M – Cr chrome-plated  
 ONOS 55 M – Cu copper-plated, lacquered  
 ONOS 55 M – Cm copper-plated, matt brushed, lacquered  
 ONOS 55 M – Br bronzed, lacquered  
 ONOS 55 M – Bd dark-bronzed, lacquered  
 ONOS 55 M – RAL individually according to RAL card



## ONOS 55 S – Side pull

### Adjustable pendant lamp

Canopy: Ø 7 cm (2.8")  
 Shade: metal Ø 55 cm (21.7"), metal light diffuser  
 Lampholder: E27, max. 100 W

ONOS 55 S – Ms polished, lacquered  
 ONOS 55 S – Mt matt brushed, lacquered  
 ONOS 55 S – Ni nickel-plated  
 ONOS 55 S – Nm nickel-plated, matt brushed  
 ONOS 55 S – Cr chrome-plated  
 ONOS 55 S – Cu copper-plated, lacquered  
 ONOS 55 S – Cm copper-plated, matt brushed, lacquered  
 ONOS 55 S – Br bronzed, lacquered  
 ONOS 55 S – Bd dark-bronzed, lacquered  
 ONOS 55 S – RAL individually according to RAL card



## ONOS 55 R – Straight pull ceiling mounted

### Adjustable pendant lamp

Shade: metal Ø 55 cm (21.7"), metal light diffuser  
Lampholder: E27, max. 100 W  
Dimmer: built in

ONOS 55 R – Ms polished, lacquered  
ONOS 55 R – Mt matt brushed, lacquered  
ONOS 55 R – Ni nickel-plated  
ONOS 55 R – Nm nickel-plated, matt brushed  
ONOS 55 R – Cr chrome-plated  
ONOS 55 R – Cu copper-plated, lacquered  
ONOS 55 R – Cm copper-plated, matt brushed, lacquered  
ONOS 55 R – Br bronzed, lacquered  
ONOS 55 R – Bd dark-bronzed, lacquered  
ONOS 55 R – RAL individually according to RAL card



## ONOS 55 D – Double pull

### Adjustable pendant lamp

Canopy: Ø 7 cm (2.8")  
Shade: metal Ø 55 cm (21.7"), metal light diffuser  
Lampholder: 2 x E27, max. 2 x 100 W

ONOS 55 D – Ms polished, lacquered  
ONOS 55 D – Mt matt brushed, lacquered  
ONOS 55 D – Ni nickel-plated  
ONOS 55 D – Nm nickel-plated, matt brushed  
ONOS 55 D – Cr chrome-plated  
ONOS 55 D – Cu copper-plated, lacquered  
ONOS 55 D – Cm copper-plated, matt brushed, lacquered  
ONOS 55 D – Br bronzed, lacquered  
ONOS 55 D – Bd dark-bronzed, lacquered  
ONOS 55 D – RAL individually according to RAL card



Designed by: Florian Schulz + Jens Schump

Base material: brass

Textile cable black.

On request: white, brown, gold, silver.

Control modules possible for pendant lamps,

center, side and double pull:

LUN-DALI 25 W (Canopy Ø 12 cm)

Casambi Modu (Canopy Ø 12 cm)

Alternatively, we recommend (without obligation)

the following dimmer brands:

- Jung 1731DD

- Gira 540100 (System 3000)

- Feller 40200

- Berker 85421100

- Busch-Jaeger 64851U

- Kopp 8455

- Eltako EUD61NPL-230V





## ONOS 40 P – Pendant

### Pendant lamp

Canopy: Ø 12 cm (4.7")  
 Shade: metal Ø 40 cm (15.7"), metal light diffuser  
 Lampholder: E27, max. 100 W

ONOS 40 P – Ms polished, lacquered  
 ONOS 40 P – Mt matt brushed, lacquered  
 ONOS 40 P – Ni nickel-plated  
 ONOS 40 P – Nm nickel-plated, matt brushed  
 ONOS 40 P – Cr chrome-plated  
 ONOS 40 P – Cu copper-plated, lacquered  
 ONOS 40 P – Cm copper-plated, matt brushed, lacquered  
 ONOS 40 P – Br bronzed, lacquered  
 ONOS 40 P – Bd dark-bronzed, lacquered  
 ONOS 40 P – RAL individually according to RAL card

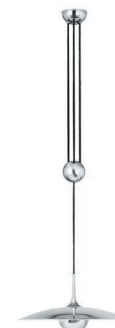


## ONOS 40 M – Center pull

### Adjustable pendant lamp

Canopy: Ø 9 cm (3.5")  
 Shade: metal Ø 40 cm (15.7"), metal light diffuser  
 Lampholder: E27, max. 100 W

ONOS 40 M – Ms polished, lacquered  
 ONOS 40 M – Mt matt brushed, lacquered  
 ONOS 40 M – Ni nickel-plated  
 ONOS 40 M – Nm nickel-plated, matt brushed  
 ONOS 40 M – Cr chrome-plated  
 ONOS 40 M – Cu copper-plated, lacquered  
 ONOS 40 M – Cm copper-plated, matt brushed, lacquered  
 ONOS 40 M – Br bronzed, lacquered  
 ONOS 40 M – Bd dark-bronzed, lacquered  
 ONOS 40 M – RAL individually according to RAL card



## ONOS 40 S – Side pull

### Adjustable pendant lamp

Canopy: Ø 7 cm (2.8")  
 Shade: metal Ø 40 cm (15.7"), metal light diffuser  
 Lampholder: E27, max. 100 W

ONOS 40 S – Ms polished, lacquered  
 ONOS 40 S – Mt matt brushed, lacquered  
 ONOS 40 S – Ni nickel-plated  
 ONOS 40 S – Nm nickel-plated, matt brushed  
 ONOS 40 S – Cr chrome-plated  
 ONOS 40 S – Cu copper-plated, lacquered  
 ONOS 40 S – Cm copper-plated, matt brushed, lacquered  
 ONOS 40 S – Br bronzed, lacquered  
 ONOS 40 S – Bd dark-bronzed, lacquered  
 ONOS 40 S – RAL individually according to RAL card



## ONOS 40 R – Straight pull ceiling mounted

### Adjustable pendant lamp

Shade: metal Ø 40 cm (15.7"), metal light diffuser  
Lampholder: E27, max. 100 W  
Dimmer: built in

ONOS 40 R – Ms polished, lacquered  
ONOS 40 R – Mt matt brushed, lacquered  
ONOS 40 R – Ni nickel-plated  
ONOS 40 R – Nm nickel-plated, matt brushed  
ONOS 40 R – Cr chrome-plated  
ONOS 40 R – Cu copper-plated, lacquered  
ONOS 40 R – Cm copper-plated, matt brushed, lacquered  
ONOS 40 R – Br bronzed, lacquered  
ONOS 40 R – Bd dark-bronzed, lacquered  
ONOS 40 R – RAL individually according to RAL card

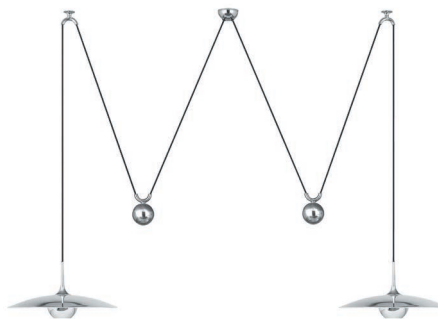


## ONOS 40 D – Double pull

### Adjustable pendant lamp

Canopy: Ø 7 cm (2.8")  
Shade: metal Ø 40 cm (15.7"), metal light diffuser  
Lampholder: 2 x E27, max. 2 x 100 W

ONOS 40 D – Ms polished, lacquered  
ONOS 40 D – Mt matt brushed, lacquered  
ONOS 40 D – Ni nickel-plated  
ONOS 40 D – Nm nickel-plated, matt brushed  
ONOS 40 D – Cr chrome-plated  
ONOS 40 D – Cu copper-plated, lacquered  
ONOS 40 D – Cm copper-plated, matt brushed, lacquered  
ONOS 40 D – Br bronzed, lacquered  
ONOS 40 D – Bd dark-bronzed, lacquered  
ONOS 40 D – RAL individually according to RAL card



Designed by: Florian Schulz + Jens Schump

Base material: brass

Textile cable black.

On request: white, brown, gold, silver.

Control modules possible for pendant lamps,

center, side and double pull:

LUN-DALI 25 W (Canopy Ø 12 cm)

Casambi Modu (Canopy Ø 12 cm)

Alternatively, we recommend (without obligation)

the following dimmer brands:

- Jung 1731DD

- Gira 540100 (System 3000)

- Feller 40200

- Berker 85421100

- Busch-Jaeger 64851U

- Kopp 8455

- Eltako EUD61NPL-230V





## SERPENTI

### Pendant lamp

Designed by: Jens Schump

Height: adjustable 1,5 m – 2,0 m (5 – 6.5 ft)  
 Corpus: 200 cm long, 30 cm wide, 4 cm high  
 (78.74" x 11.81" x 1.6")

Canopy: 40 cm long, 22 cm wide, 4.2 cm high  
 (15.75" x 8.66" x 1.65")

Illuminant: LED (86.8 W) with glare protection,  
 approx. 12300 Lumen

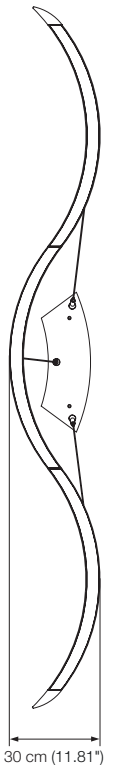
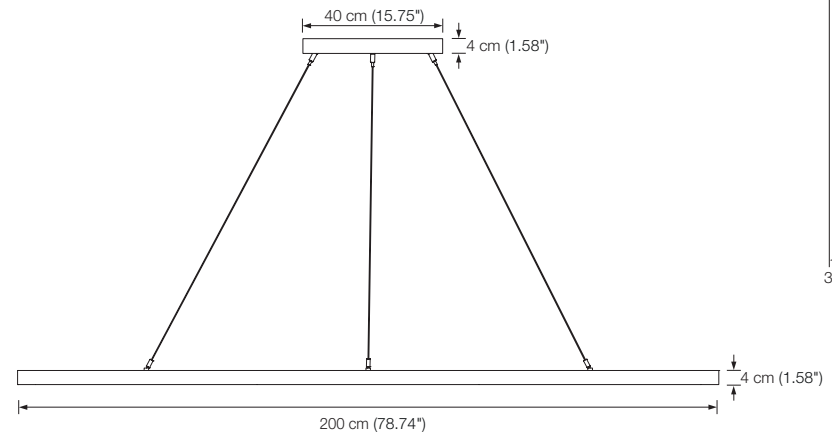
Color temperature: warmwhite 2700 °K (standard)

Color rendering: > 90 Ra

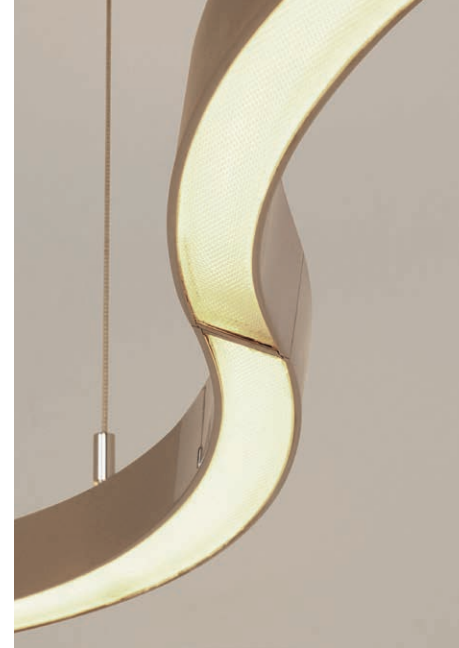
Dimmer: Sweep Sensor at both ends

Base material: brass

SERPENTI – Ms polished, lacquered  
 SERPENTI – Mt matt brushed, lacquered  
 SERPENTI – Ni nickel-plated  
 SERPENTI – Nm nickel-plated, matt brushed  
 SERPENTI – Cr chrome-plated  
 SERPENTI – Cu copper-plated, lacquered  
 SERPENTI – Cm copper-plated, matt brushed, lacquered  
 SERPENTI – Br bronzed, lacquered  
 SERPENTI – Bd dark-bronzed, lacquered  
 SERPENTI – RAL individually according to RAL card









## P80-1

### Pendant lamp, height adjustable

Designed by: Jens Schump

Height: from 65 cm (25.6") – 135 cm (53.15") (standard)\*  
 Canopy: Ø 6 cm (2.36")  
 Shade: Ø 8 cm (3.15"), 16,5 cm (6.5") high  
 Bulb: 1 x LED (20 Watt) incl., 2000 Lumen  
 Color temperature: Dim-to-Warm from 3100° – 1850 °K  
 Color rendering: > 90 Ra  
 Dimmer: possible via house installation (standard)\*\*  
 Base material: brass

P80-1 – Ms polished, lacquered  
 P80-1 – Mt matt brushed, lacquered  
 P80-1 – Ni nickel-plated  
 P80-1 – Nm nickel-plated, matt brushed  
 P80-1 – Cr chrome-plated  
 P80-1 – Cu copper-plated, lacquered  
 P80-1 – Cm copper-plated, matt brushed, lacquered  
 P80-1 – Br bronzed, lacquered  
 P80-1 – Bd dark-bronzed, lacquered  
 P80-1 – RAL individually according to RAL card

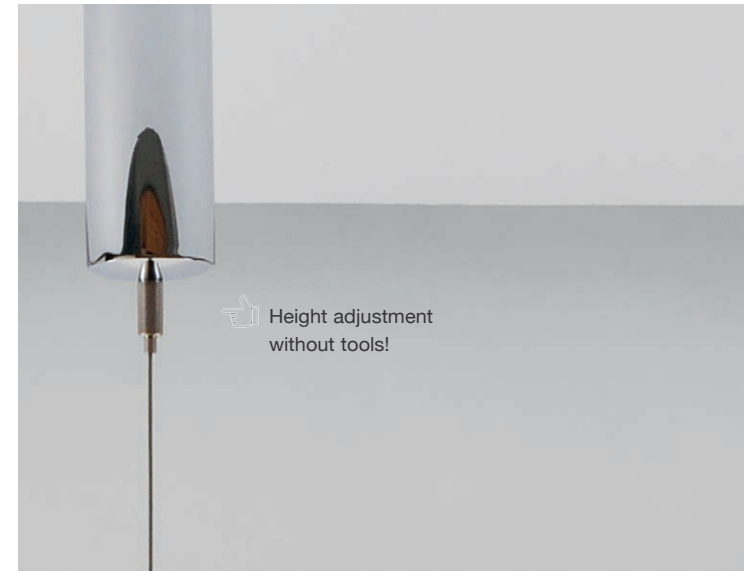
## P80-3

### Triple pendant lamp, individually height-adjustable

Designed by: Jens Schump

Height: 3 x from 65 cm (25.6") – 135 cm (53.15") (standard)\*  
 Canopy: 132 cm (51.97") long, 8 cm (3.15") wide, 4 cm (1.57") high  
 Shade: 3 x Ø 8 cm (3.15"), 16,5 cm (6.5") high  
 Bulb: 3 x LED (3 x 20 Watt) incl., 6000 Lumen  
 Color temperature: Dim-to-Warm from 3100° – 1850 °K  
 Color rendering: > 90 Ra  
 Dimmer: possible via house installation (standard)\*\*  
 Base material: brass

P80-3 – Ms polished, lacquered  
 P80-3 – Mt matt brushed, lacquered  
 P80-3 – Ni nickel-plated  
 P80-3 – Nm nickel-plated, matt brushed  
 P80-3 – Cr chrome-plated  
 P80-3 – Cu copper-plated, lacquered  
 P80-3 – Cm copper-plated, matt brushed, lacquered  
 P80-3 – Br bronzed, lacquered  
 P80-3 – Bd dark-bronzed, lacquered  
 P80-3 – RAL individually according to RAL card



\* Other suspension heights on request.

\*\* LUN-DALI 25 W or Casambi Modul  
 Alternatively, we recommend (without obligation)  
 the following dimmer brands:

- Jung 1731DD  
 - Gira 540100 (System 3000)  
 - Feller 40200  
 - Berker 85421100  
 - Busch-Jaeger 64851U  
 - Kopp 8455  
 - Eitako EUD61NPL-230V





## PEN 100

**Pendant lamp, adjustable height  
both light elements can be rotated (360°)**

Designed by: Florian Schulz

Length: 100 cm (39.4")  
Canopy: 20 x 20 x 5 cm (7.9" x 7.9" x 2.0")  
Shade: Ø 2,1 cm (0.8")  
Height: 80 to 140 cm (31.5" to 55.1") adjustable (*standard*)\*  
Bulb: 2 x LED 150 (approx. 12 watts in total) incl.  
exchangeable, approx. 1200 Lumen

Color temperature: warmwhite 2700 K

Color rendering: > 90 Ra

Dimmer: possible via house installation (*standard*)\*\*

Base material: brass

PEN 100 – Ms polished, lacquered  
PEN 100 – Mt matt brushed, lacquered  
PEN 100 – Ni nickel-plated  
PEN 100 – Nm nickel-plated, matt brushed  
PEN 100 – Cr chrome-plated  
PEN 100 – Cu copper-plated, lacquered  
PEN 100 – Cm copper-plated, matt brushed, lacquered  
PEN 100 – Br bronzed, lacquered  
PEN 100 – Bd dark-bronzed, lacquered  
PEN 100 – RAL individually according to RAL card

PEN 100 / 121 / 142:

\* Other possible suspensions (*Please indicate with order*):

Overall height 105 – 200 cm (41.3" – 78.7")

Overall height 130 – 250 cm (51.2" – 98.4")

Other pendulum lengths possible on request.

\*\* LUN-DALI 25 W or Casambi Modul

Alternatively, we recommend (*without obligation*)

the following dimmer brands:

- Jung 1731DD
- Gira 540100 (*System 3000*)
- Feller 40200
- Berker 85421100
- Busch-Jaeger 64851U
- Kopp 8455
- Eltako EUD61NPL-230V

## PEN 121

**Pendant lamp, adjustable height · outer light elements can be rotated (360°)**

Designed by: Florian Schulz

Length: 121 cm (47.6")  
Canopy: 46,5 x 5 x 5 cm (18.3" x 2.0" x 2.0")  
Shade: Ø 2,1 cm (0.8")  
Height: 80 to 140 cm (31.5" to 55.1") adjustable (*standard*)\*  
Bulb: 3 x LED 150 (approx. 24 watts in total) incl.  
exchangeable, approx. 2200 Lumen  
Color temperature: warmwhite 2700 K  
Color rendering: > 90 Ra  
Dimmer: possible via house installation (*standard*)\*\*  
Base material: brass

PEN 121 – Ms polished, lacquered  
PEN 121 – Mt matt brushed, lacquered  
PEN 121 – Ni nickel-plated  
PEN 121 – Nm nickel-plated, matt brushed  
PEN 121 – Cr chrome-plated  
PEN 121 – Cu copper-plated, lacquered  
PEN 121 – Cm copper-plated, matt brushed, lacquered  
PEN 121 – Br bronzed, lacquered  
PEN 121 – Bd dark-bronzed, lacquered  
PEN 121 – RAL individually according to RAL card

## PEN 142

**Pendant lamp, adjustable height  
all light elements can be rotated (360°)**

Designed by: Florian Schulz

Length: 142 cm (55.9")  
Canopy: 53 x 5 x 5 cm (20.9" x 2.0" x 2.0")  
Shade: Ø 2,1 cm (0.8")  
Height: 80 to 140 cm (31.5" to 55.1") adjustable (*standard*)\*  
Bulb: 3 x LED 150 (approx. 24 watts in total) incl.  
exchangeable, approx. 2200 Lumen  
Color temperature: warmwhite 2700 K  
Color rendering: > 90 Ra  
Dimmer: possible via house installation (*standard*)\*\*  
Base material: brass

PEN 142 – Ms polished, lacquered  
PEN 142 – Mt matt brushed, lacquered  
PEN 142 – Ni nickel-plated  
PEN 142 – Nm nickel-plated, matt brushed  
PEN 142 – Cr chrome-plated  
PEN 142 – Cu copper-plated, lacquered  
PEN 142 – Cm copper-plated, matt brushed, lacquered  
PEN 142 – Br bronzed, lacquered  
PEN 142 – Bd dark-bronzed, lacquered  
PEN 142 – RAL individually according to RAL card





VS Manufaktur  
Wahlwiesenstr. 1  
71711 Steinheim an der Murr  
Germany  
Tel. +49 (0)7144 889 110 5  
Fax +49 (0)7144 889 110 7

[www.vs-manufaktur.de](http://www.vs-manufaktur.de)  
[info@vs-manufaktur.de](mailto:info@vs-manufaktur.de)

All rights reserved.  
Specifications and design subject to change without notice.