

VS manufaktur
licht + objekt

Collection 2024

Modern, timeless classics
of the VS Manufaktur & the
Florian Schulz Collection.

**Introducing our new
series BULLEYE.**





IN OUR HOUSE WE PRODUCE 2 LIGHTING COLLECTIONS.

The light fixtures of the **VS Manufaktur collection** display a combination of timeless, classic design and modern technical factors – including longevity, quality and stable value.

The classics of the well-known **Florian Schulz models** will continue to be manufactured in the usual quality and the design will remain the same. Technology and operation have been partially modernized.

WE LIVE SUSTAINABILITY EVERY DAY

- Since we produce everything ourselves, we don't send anything out
 - It couldn't be more sustainable.
- Brass offcuts and chips are processed and reused.
- Our Zapon varnish consists almost exclusively of natural ingredients.
- Every lamp can be refurbished/reworked - not a throwaway product.
- Local partner: powder coating and milling cutters.
- We reuse usable cardboard boxes.
- Recycling of waste materials for cleaning the painted products:
 - The wash-out agent (*contaminated washing thinner*) is returned and reprocessed.
- Broken cardboard boxes are shredded and used as filling material.
- Plastic is avoided wherever possible.



Collection 2024

With immediate effect, only the models specified in this list are available.
The technical data in this price list shall apply exclusively.

Alphabetical index

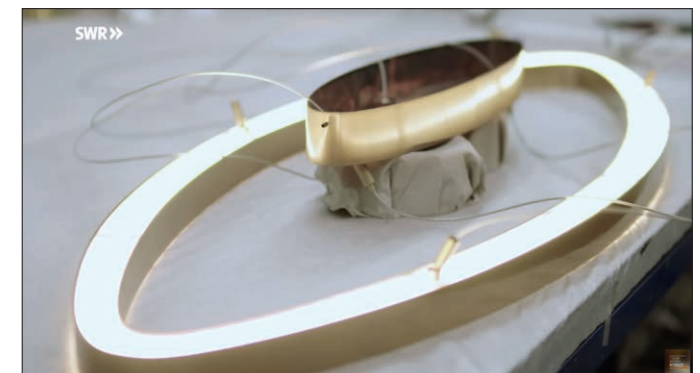
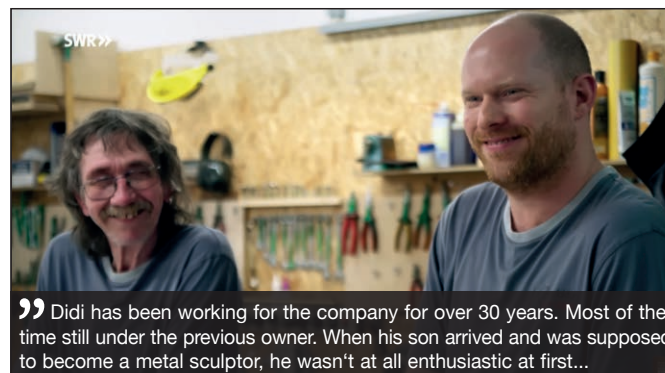
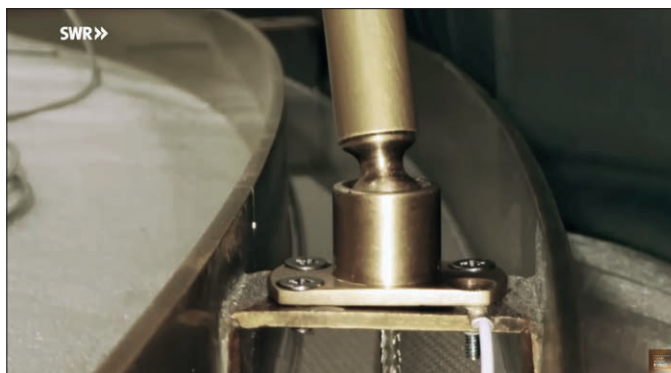
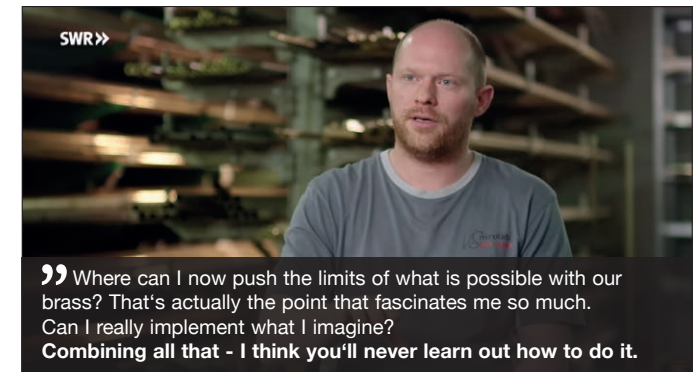
	Page		Page		Page
ALEA	49	LONEA	16	PIN T	43
ALIA	49	LONEA SD	17	PIN W dim	44
BEO	46	MESA	14	POSA 36	60 – 61
BullEYE-DW	8 – 9	MYOS	18	SELA	55
BullEYE-S	22 – 23	MYOS T	19	SOLA 80	54
BullEYE-T	32 – 33	NOSTALGIA-D	52	STE	26
CERVANTES	31	NOSTALGIA-S	25	TAOS	20
DROP	24	NOSTALGIA-T	34	TAOS SD	21
DUOS 36	58 – 59	NOSTALGIA-W	45	TAU	36
ELAS	41	OLA	56	TOA	35
ELAS S	41	ONE 58	10	TOLED	42
ERA	50	ONE 80	11	TOPAN	37
EREA	53	ONOS 40	64 – 65	VAO	47
ESA	40	ONOS 55	62 – 63	VAYO	15
GEA	48	ORA	38	WED	51
GELA	57	OVA	12	YON	30
INAS	28	OVETTE	13	YON G	30
INAS SD	28	P80	66 – 67	YON T	39
LESAN M	29	PEN	68 – 69		
LESAN S	29	PIN d	27		

Collection

	Page
Spot:	8 – 9
Chandeliers:	10 – 14
Floorlamps:	15 – 21
Floor Reading Lamps:	22 – 31
Table Lamps:	32 – 43
Wall Lamps:	44 – 51
Ceiling Lamps:	52 – 57
Adjustable Pendant Lamps:	58 – 65
Pendant Lamps:	66 – 69

German Film contribution - the motto was: “Craftsmanship: how to build a handmade lamp”.

In the summer we had a German Film Team (SWR) visit us. More on this at:
our website · the SWR media library · YouTube · our Instagram channel



Unfortunately the video is in German. But in your settings you can show the subtitles and have them automatically translated into your language.

**Design meets here with functionality,
usefulness and competent craftsmanship.**

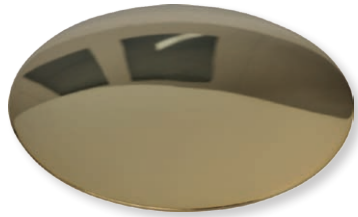
CRAFTSMANSHIP – MADE IN GERMANY.

Our lights are produced by hand in the Swabian manufactory, with a selected 10 person team of experienced craftsmen.



Every light is almost a uniquely handcrafted product and designed for longevity.

Finishes



MS – Solid brass polished, lacquered
Sonderoberfläche:

Mp – Solid brass polished, unlacquered



Mt – Solid brass matt brushed, lacquered

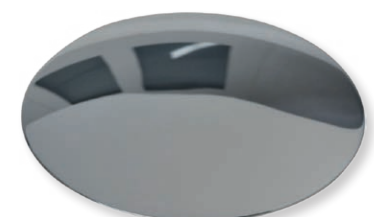


Ni – Solid brass, nickel-plated, unlackiert
Sonderoberfläche:

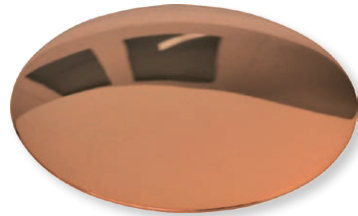
Ni-lack – Solid brass, nickel-plated,
lacquered



Nm – Solid brass nickel-plated, matt brushed



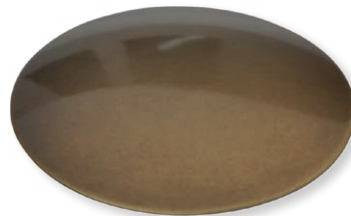
Cr – Solid brass, chrome-plated



CU – Solid brass copper-plated,
lacquered



Cm – Solid brass copper-plated,
matt brushed, lacquered



Br – Solid brass bronzed, lacquered



Bd – Solid brass dark-bronzed, lacquered



On request, we paint every
lamp according to the
RAL card.

Note:

The special surfaces „Mp – Solid brass polished, unlacquered“ and „Ni-lack – Solid brass, nickel-plated, lacquered“ visually look the same, such as „Ms – Solid brass polished, lacquered“ and „Ni – Solid brass, nickel-plated“.

Refurbishment & special finishes

If your lamp no longer appears in its usual shine, it is possible to have it refurbished by us.

Restorations in the event of damage are also possible.

When refinishing, you can decide again whether the old surface should be restored or whether you would like a new surface or a paint finish according to the RAL card.

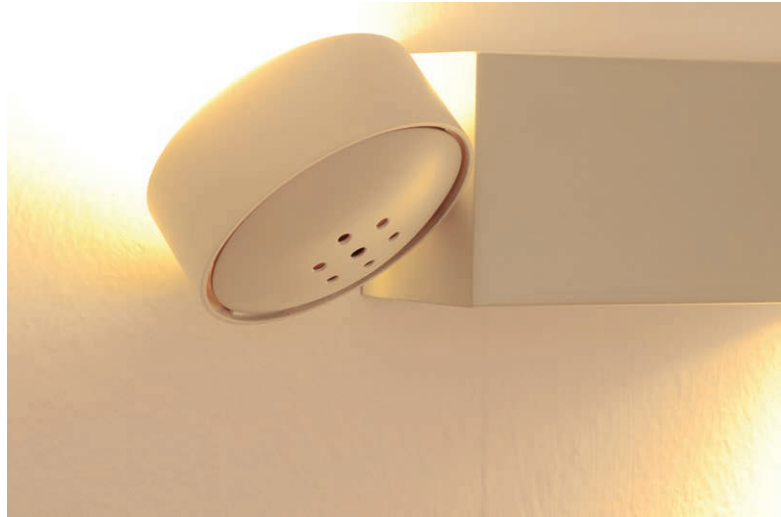


Non-standard finishes

In addition to the metal finishes quoted in this catalog, special finishes are available for most models:

Mp – Solid brass polished, unlacquered and **Ni-lack – Solid brass nickel-plated, lacquered**

Delivery times on request.



Special finish shown: matt grey.

BulLEYE-DW

Ceiling and wall spotlights

Designed by: Jens Schump

L x W x H: 32 x 7 x 9 cm (12.6" x 2.8" x 3.5")

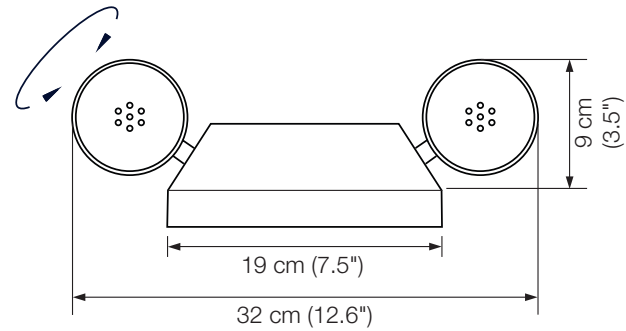
Shade: rotatable, Ø 8 cm (3.1")

Lampholder: Osram CoB-LED, 8,7 W, 1000 Lumen
2700 °K, dimmable

Color rendering: > 90 Ra

Dimmer: on site via leading or trailing edge*

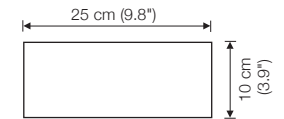
- BulLEYE-DW – Ms Solid brass polished, lacquered
- BulLEYE-DW – Mt Solid brass matt brushed, lacquered
- BulLEYE-DW – Ni Solid brass, nickel-plated
- BulLEYE-DW – Nm Solid brass nickel-plated, matt brushed
- BulLEYE-DW – Cr Solid brass, chrome-plated
- BulLEYE-DW – Cu Solid brass copper-plated, lacquered
- BulLEYE-DW – Cm Solid brass copper-plated, matt brushed, lacquered
- BulLEYE-DW – Br Solid brass bronzed, lacquered
- BulLEYE-DW – Bd Solid brass dark-bronzed, lacquered



Additional USA 110 V conversion kit available on request

4" junction box: not covered

Backplate rectangular 25 x 10 cm (9.8" x 3.9") standard
or 25 x 12 cm (9.8" x 4.7") - please indicate with order





ONE 58

LED chandelier

Designed by: Florian Schulz + Jens Schump

Height: adjustable 0.5 to 2 m (16.69" to 78.74") (standard)*

Ø Ring: 58 cm (22.8")

Ø Canopy: 25 cm (9.8")

Bulb: LED (22,5 Watt) with glare protection incl.
approx. 3460 Lumen

Color temperature: warmwhite 2700 K

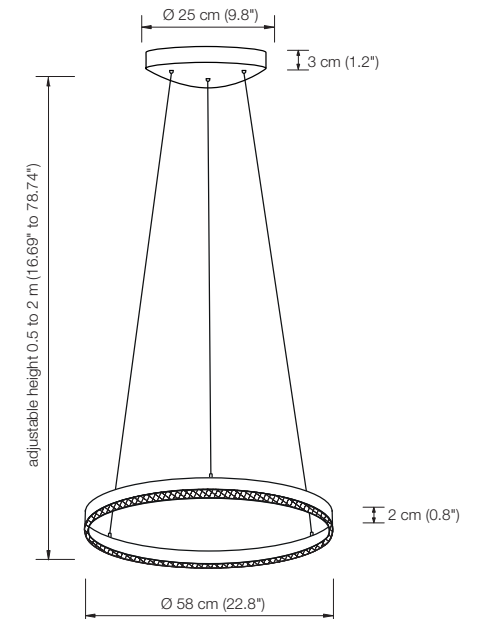
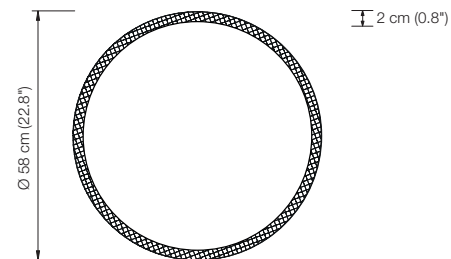
Color rendering: > 96 Ra

Dimmer: 110 Volt/USA: not dimmable

ONE 58 – Ms	Solid brass polished, lacquered
ONE 58 – Mt	Solid brass matt brushed, lacquered
ONE 58 – Ni	Solid brass, nickel-plated
ONE 58 – Nm	Solid brass nickel-plated, matt brushed
ONE 58 – Cr	Solid brass, chrome-plated
ONE 58 – Cu	Solid brass copper-plated, lacquered
ONE 58 – Cm	Solid brass copper-plated, matt brushed, lacquered
ONE 58 – Br	Solid brass bronzed, lacquered
ONE 58 – Bd	Solid brass dark-bronzed, lacquered

Additional USA 110 V conversion kit available on request
4" junction box: covered

* Other heights: available on request.



ONE 80

LED chandelier

Designed by: Florian Schulz + Jens Schump

Height: adjustable 0.5 to 2 m (16.69" to 78.74") (standard)*

Ø Ring: 80 cm (31.5")

Ø Canopy: 25 cm (9.8")

Bulb: LED (31,3 Watt) with glare protection incl.
approx. 4800 Lumen

Color temperature: warmwhite 2700 K

Color rendering: > 96 Ra

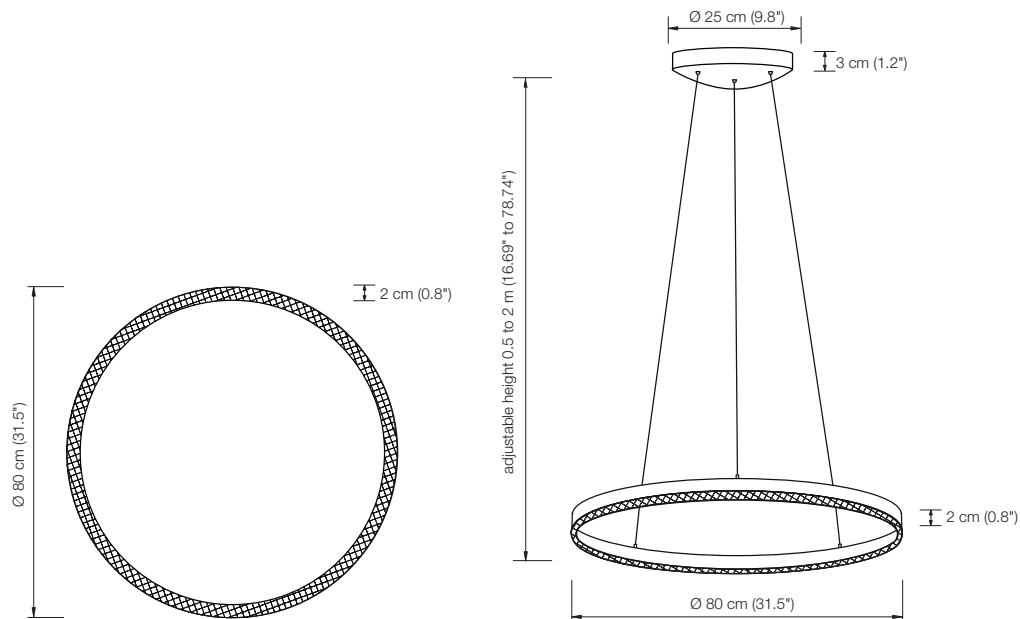
Dimmer: 110 Volt/USA: not dimmable

ONE 80 – Ms	Solid brass polished, lacquered
ONE 80 – Mt	Solid brass matt brushed, lacquered
ONE 80 – Ni	Solid brass, nickel-plated
ONE 80 – Nm	Solid brass nickel-plated, matt brushed
ONE 80 – Cr	Solid brass, chrome-plated
ONE 80 – Cu	Solid brass copper-plated, lacquered
ONE 80 – Cm	Solid brass copper-plated, matt brushed, lacquered
ONE 80 – Br	Solid brass bronzed, lacquered
ONE 80 – Bd	Solid brass dark-bronzed, lacquered

Additional USA 110 V conversion kit available on request

4" junction box: covered

* Other heights: available on request.





OVA

LED chandelier

Designed by: Florian Schulz + Jens Schump

Height: adjustable 1.5 to 2 m (59.06" to 78.74") (standard)*

Oval shade: 125 cm long, 47 wide, 4 cm high
(49.2" long, 18.5" wide, 1.6" high)

Canopy: 47 cm long, 14 cm wide, 5 cm high
(18.5" long, 5.5" wide, 2" high)

Illuminant: LED (108 W) with glare protection incl.
approx. 13610 Lumen**

Color temperature: warmwhite 2700 K***

Color rendering: > 94 Ra

Dimmer: possible via house installation (1-10V)

- OVA – Ms Solid brass polished, lacquered
- OVA – Mt Solid brass matt brushed, lacquered
- OVA – Ni Solid brass, nickel-plated
- OVA – Nm Solid brass nickel-plated, matt brushed
- OVA – Cr Solid brass, chrome-plated
- OVA – Cu Solid brass copper-plated, lacquered
- OVA – Cm Solid brass copper-plated, matt brushed, lacquered
- OVA – Br Solid brass bronzed, lacquered
- OVA – Bd Solid brass dark-bronzed, lacquered

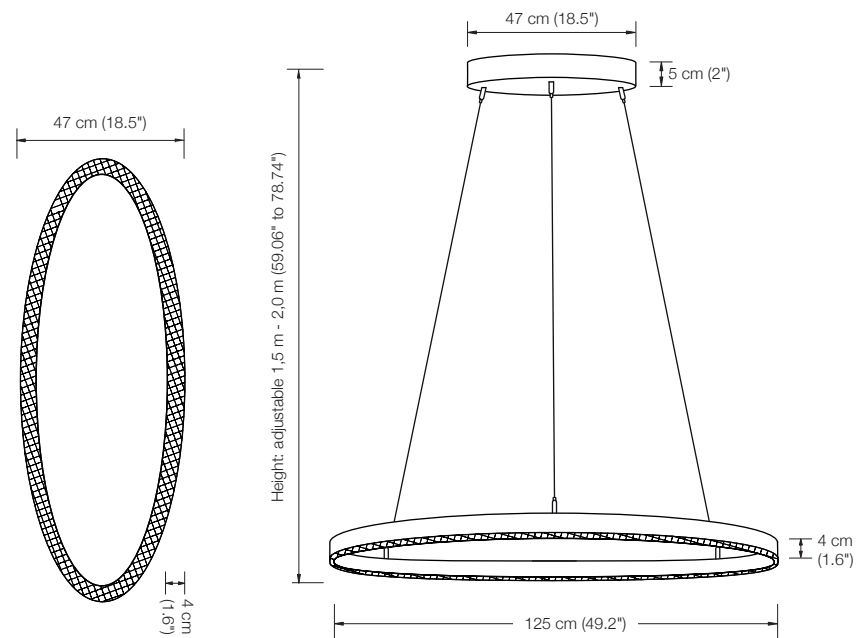
Additional USA 110 V conversion kit available on request

4" junction box: covered

* Other heights possible, each with a range of 50 cm (19.7").

** Higher lumens on request.

*** 3000K + 4000K on request.



OVETTE

LED chandelier

Designed by: Jens Schump

Height: adjustable 1.5 to 2 m (59.06" to 78.74") (standard)*

Ellipse: 86 cm long, 24 cm wide, 3 cm high
(33.9" long, 9.4" wide, 1.2" high)

Canopy: 33 cm long, 12 cm wide, 5 cm high
(13" long, 4.7" wide, 2" high)

Illuminant: LED (64,8 W) with glare protection incl.
approx. 8240 Lumen

Color temperature: warmwhite 2700 K**

CRI: > 95 Ra

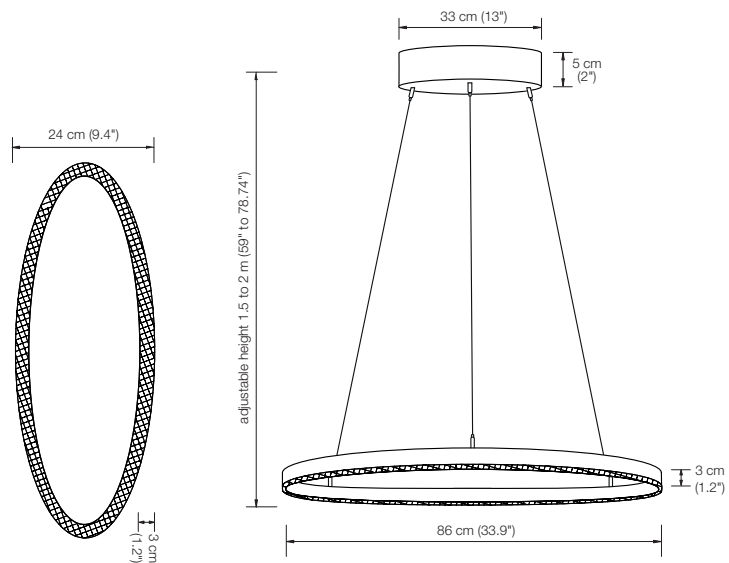
Dimmer: possible via house installation (1-10V)

- OVETTE – Ms Solid brass polished, lacquered
- OVETTE – Mt Solid brass matt brushed, lacquered
- OVETTE – Ni Solid brass, nickel-plated
- OVETTE – Nm Solid brass nickel-plated, matt brushed
- OVETTE – Cr Solid brass, chrome-plated
- OVETTE – Cu Solid brass copper-plated, lacquered
- OVETTE – Cm Solid brass copper-plated, matt brushed, lacquered
- OVETTE – Br Solid brass bronzed, lacquered
- OVETTE – Bd Solid brass dark-bronzed, lacquered

Additional USA 110 V conversion kit available on request
4" junction box: covered

* Other heights possible, each with a range of 50 cm (19.7").

** 3000K + 4000K on request.





MESA 18

Chandelier · 18 removable metal arms

Designed by: Florian Schulz
 Total height: min. 85 cm (33.5") - max. 125 cm (49.2")
(standard unless ordered otherwise)
 Ø: 88 cm (34.6")
 Lampholder: 18 x G4, max. 18 x 3,8 W / 12 V (max. 70 W)
 Bulb: 18 x G4 LED, 2 W, à 200 Lumen, 2700° K inkl., dimmable
 Dimmer: possible via house installation

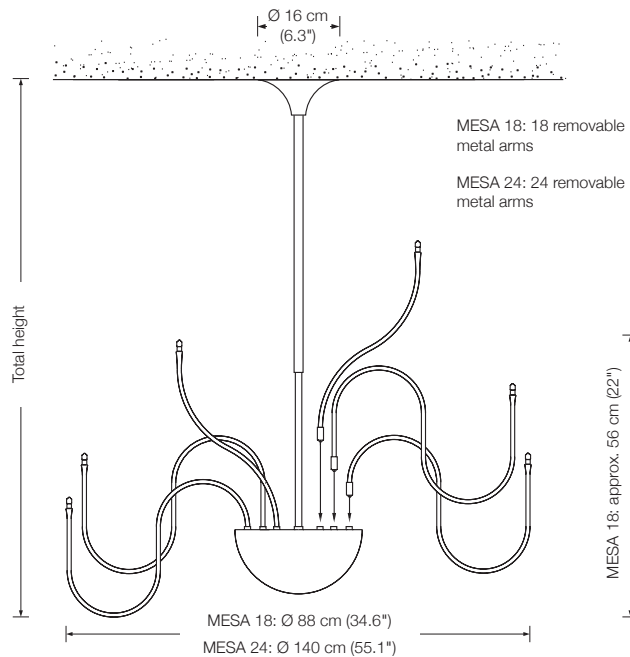
MESA 18 – Ms Solid brass polished, lacquered
 MESA 18 – Mt Solid brass matt brushed, lacquered
 MESA 18 – Ni Solid brass, nickel-plated
 MESA 18 – Nm Solid brass nickel-plated, matt brushed
 MESA 18 – Cr Solid brass, chrome-plated
 MESA 18 – Cu Solid brass copper-plated, lacquered
 MESA 18 – Cm Solid brass copper-plated, matt brushed, lacquered
 MESA 18 – Br Solid brass bronzed, lacquered
 MESA 18 – Bd Solid brass dark-bronzed, lacquered
 Additional USA 110 V conversion kit available on request
 4" junction box: covered

MESA 24

Chandelier · 24 removable metal armse

Designed by: Florian Schulz
 Total height: min. 95 (37.4") - max. 135 cm (53.1")
(standard unless ordered otherwise)
 Ø: 140 cm (55.1")
 Lampholder: 24 x G4, max. 24 x 2,9 W / 12 V
 Bulb: 24 x G4 LED, 2 W, à 200 Lumen, 2700° K inkl., dimmable
 Dimmer: possible via house installation

MESA 24 – Ms Solid brass polished, lacquered
 MESA 24 – Mt Solid brass matt brushed, lacquered
 MESA 24 – Ni Solid brass, nickel-plated
 MESA 24 – Nm Solid brass nickel-plated, matt brushed
 MESA 24 – Cr Solid brass, chrome-plated
 MESA 24 – Cu Solid brass copper-plated, lacquered
 MESA 24 – Cm Solid brass copper-plated, matt brushed, lacquered
 MESA 24 – Br Solid brass bronzed, lacquered
 MESA 24 – Bd Solid brass dark-bronzed, lacquered
 Additional USA 110 V conversion kit available on request
 4" junction box: covered



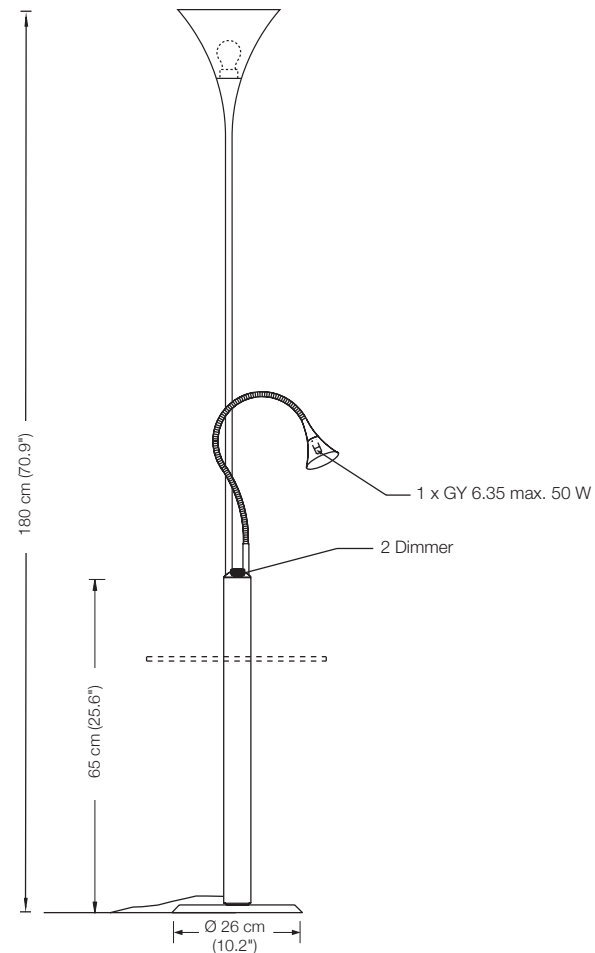
VAYO

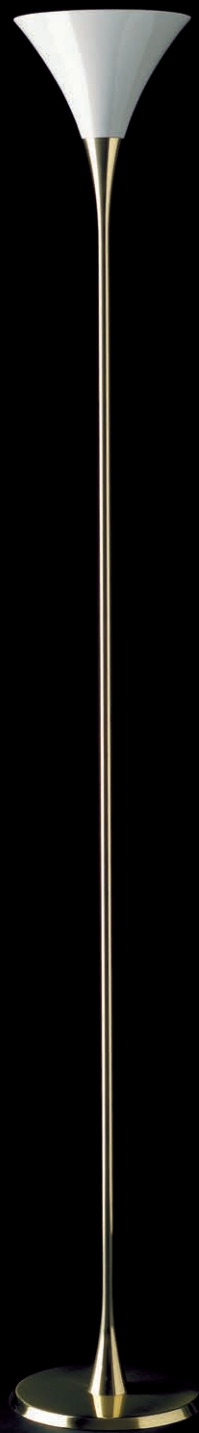
Floor lamp / Floor reading lamp

Designed by: Florian Schulz

Height: 180 cm (70.9")
Width reading lamp: approx. 50 cm (19.7")
Shade floor lamp: glass white-opal, Ø 23 cm (9.1")
Shade reading lamp: TEFLON white Ø 7 cm (2.8")
Lampholder floor lamp: E26, max. 150 W / 230 V
Bulb floor lamp: 1 x OS E26 Parathom incl., 2452 Lumen,
21 W \triangleq 150 W, 2700° K, dimmable
Lampholder reading lamp: GY6.35, max. 50 W / 12 V
Bulb reading lamp: 1 x G6 incl., dimmable
Electric wire: 4 m (13.1 ft)
Dimmer: 2 x built in

VAYO – Ms Solid brass polished, lacquered
VAYO – Mt Solid brass matt brushed, lacquered
VAYO – Ni Solid brass, nickel-plated
VAYO – Nm Solid brass nickel-plated, matt brushed
VAYO – Cr Solid brass, chrome-plated
VAYO – Cu Solid brass copper-plated, lacquered
VAYO – Cm Solid brass copper-plated, matt brushed, lacquered
VAYO – Br Solid brass bronzed, lacquered
VAYO – Bd Solid brass dark-bronzed, lacquered
Optional: Glass tabletop
Ø 36 cm (14.2"), height 50 cm (19.7"), clear glass 10 mm (0.4")
Additional USA 110 V conversion kit available on request
floor lamp 110 V bulbs are not included





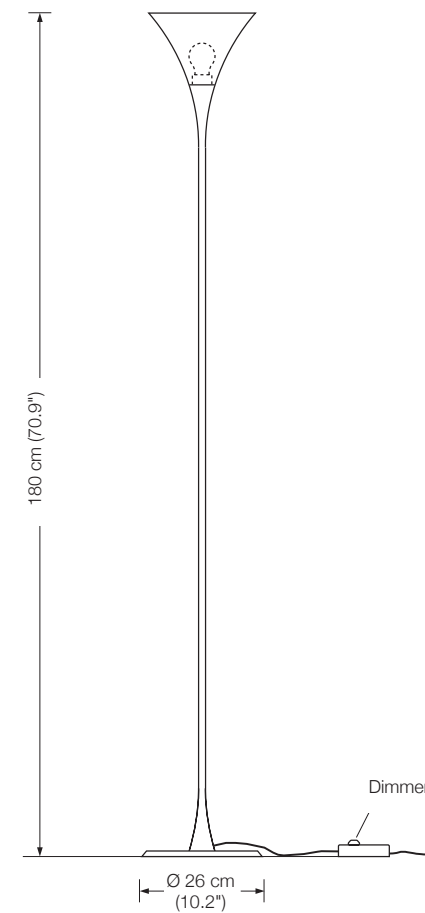
LONEA

Floor lamp

Designed by: Florian Schulz

Height: 180 cm (70.9")
Shade: glass white-opal, Ø 23 cm (9.1")
Lampholder: E26, max. 250 W
Bulb: 1 x OS E26 Parathom incl., 2452 Lumen,
21 W \triangle 150 W, 2700° K, dimmable
Electric wire: 3 m (9.8 ft)
Dimmer: on cord

LONEA – Ms Solid brass polished, lacquered
LONEA – Mt Solid brass matt brushed, lacquered
LONEA – Ni Solid brass, nickel-plated
LONEA – Nm Solid brass nickel-plated, matt brushed
LONEA – Cr Solid brass, chrome-plated
LONEA – Cu Solid brass copper-plated, lacquered
LONEA – Cm Solid brass copper-plated, matt brushed, lacquered
LONEA – Br Solid brass bronzed, lacquered
LONEA – Bd Solid brass dark-bronzed, lacquered
Additional USA 110 V conversion kit available on request
110 V bulbs are not included



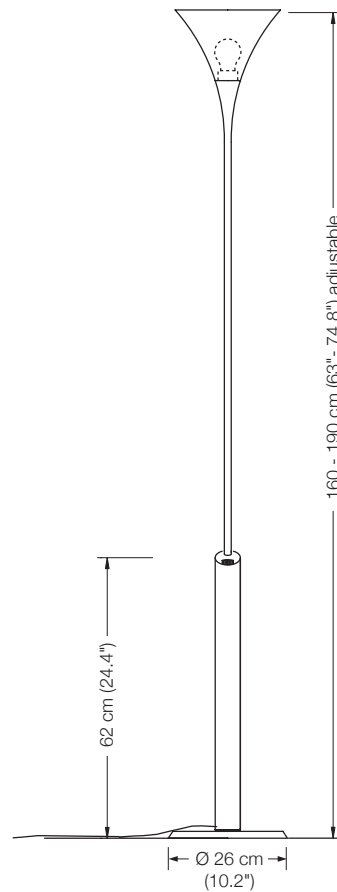
LONEA SD

Floor lamp

Designed by: Florian Schulz

Height: 160 - 190 cm (63"- 74.8") adjustable
Shade: glass white-opal, Ø 23 cm (9.1")
Lampholder: E26, max. 250 W
Bulb: 1 x OS E26 Parathom incl., 2452 Lumen,
21 W \triangle 150 W, 2700° K, dimmable
Electric wire: 3 m (9.8 ft)
Dimmer: built in

LONEA SD – Ms Solid brass polished, lacquered
LONEA SD – Mt Solid brass matt brushed, lacquered
LONEA SD – Ni Solid brass, nickel-plated
LONEA SD – Nm Solid brass nickel-plated, matt brushed
LONEA SD – Cr Solid brass, chrome-plated
LONEA SD – Cu Solid brass copper-plated, lacquered
LONEA SD – Cm Solid brass copper-plated, matt brushed, lacquered
LONEA SD – Br Solid brass bronzed, lacquered
LONEA SD – Bd Solid brass dark-bronzed, lacquered
Additional USA 110 V conversion kit available on request
110 V bulbs are not included





MYOS

Floor lamp / Floor reading lamp

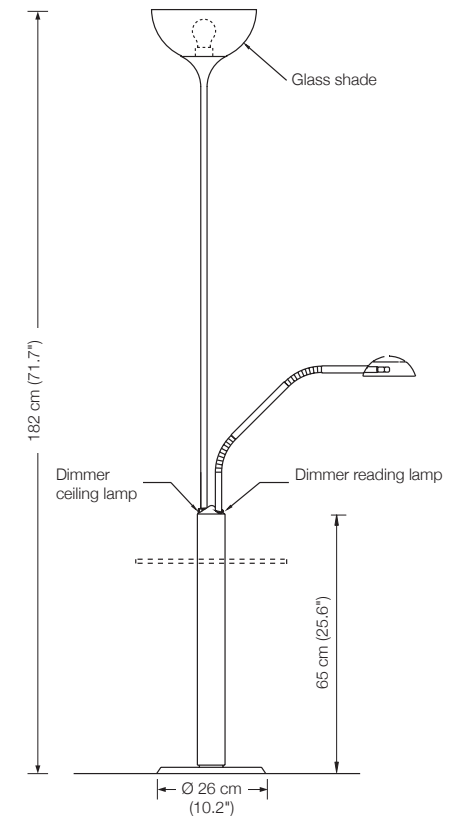
Designed by:	Florian Schulz
Height:	182 cm (71.7")
Width reading lamp:	approx. 50 cm (19.7")
Shade floor lamp:	glass white-opal, Ø 26 cm (10.2")
Shade reading lamp:	metal Ø 12 cm (4.7"), adjustable
Lampholder floor lamp:	E26, max. 250 W / 230 V
Bulb floor lamp:	1 x E26 LED á 1521 Lumen, 14,5 W incl. 2700° K, dimmable
Lampholder reading lamp:	GY6.35, max. 50 W / 12 V
Bulb reading lamp:	1 x G6 incl., 35 W $\hat{=}$ 50 W, dimmable
Electric wire:	4 m (13.1 ft)
Dimmer:	2 x built in

MYOS – Ms	Solid brass polished, lacquered
MYOS – Mt	Solid brass matt brushed, lacquered
MYOS – Ni	Solid brass, nickel-plated
MYOS – Nm	Solid brass nickel-plated, matt brushed
MYOS – Cr	Solid brass, chrome-plated
MYOS – Cu	Solid brass copper-plated, lacquered
MYOS – Cm	Solid brass copper-plated, matt brushed, lacquered
MYOS – Br	Solid brass bronzed, lacquered
MYOS – Bd	Solid brass dark-bronzed, lacquered

Optional: Glass tabletop

Ø 36 cm (14.2"), height 50 cm (19.7"), clear glass 10 mm (0.4")

Additional USA 110 V conversion kit available on request
 floor lamp 110 V bulbs are not included



MYOS T

Floor lamp / Floor reading lamp

Designed by:	Florian Schulz
Height:	182 cm (71.7")
Width reading lamp:	approx. 50 cm (19.7")
Shade reading lamp:	metal Ø 12 cm (4.7"), adjustable
Lampholder floor lamp:	E26, max. 250 W / 230 V
Bulb floor lamp:	1 x E26 LED á 1521 Lumen, 14,5 W incl. 2700° K, dimmable
Lampholder reading lamp:	GY6.35, max. 50 W / 12 V
Bulb reading lamp:	1 x G6 incl., 35 W \triangleq 50 W, dimmable
Electric wire:	4 m (13.1 ft)
Dimmer:	2 x built in

MYOS T 40

Shade floor lamp: glass white-opal, Ø 40 cm (15.7")

MYOS T 40 – Ms	Solid brass polished, lacquered
MYOS T 40 – Mt	Solid brass matt brushed, lacquered
MYOS T 40 – Ni	Solid brass, nickel-plated
MYOS T 40 – Nm	Solid brass nickel-plated, matt brushed
MYOS T 40 – Cr	Solid brass, chrome-plated
MYOS T 40 – Cu	Solid brass copper-plated, lacquered
MYOS T 40 – Cm	Solid brass copper-plated, matt brushed, lacquered
MYOS T 40 – Br	Solid brass bronzed, lacquered
MYOS T 40 – Bd	Solid brass dark-bronzed, lacquered

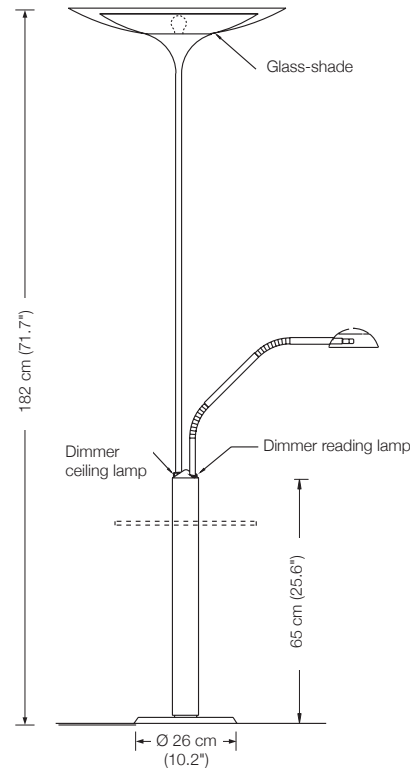
Optional: Glass tabletop
Ø 36 cm (14.2"), height 50 cm (19.7"), clear glass 10 mm (0.4")

MYOS T 55

Shade floor lamp: glass white-opal, Ø 55 cm (21.7")

MYOS T 55 – Ms	Solid brass polished, lacquered
MYOS T 55 – Mt	Solid brass matt brushed, lacquered
MYOS T 55 – Ni	Solid brass, nickel-plated
MYOS T 55 – Nm	Solid brass nickel-plated, matt brushed
MYOS T 55 – Cr	Solid brass, chrome-plated
MYOS T 55 – Cu	Solid brass copper-plated, lacquered
MYOS T 55 – Cm	Solid brass copper-plated, matt brushed, lacquered
MYOS T 55 – Br	Solid brass bronzed, lacquered
MYOS T 55 – Bd	Solid brass dark-bronzed, lacquered

Optional: Glass tabletop
Ø 36 cm (14.2"), height 50 cm (19.7"), clear glass 10 mm (0.4")



Additional USA 110 V conversion kit
(MYOS T 40 / 55) available on request
floor lamp 110 V bulbs are not included





TAOS

Floor lamp

Designed by: Florian Schulz

Height: 160 - 210 cm (63" - 82.7") adjustable

Lampholder: E26, max. 150 W

Bulb: 1 x E26 LED á 1521 Lumen, 14,5 W incl.
2700° K, dimmable

Electric wire: 3 m (9.8 ft)

Dimmer: on cord

TAOS 55

Shade: glass white-opal Ø 55 cm (21.7")

TAOS 55 – Ms Solid brass polished, lacquered

TAOS 55 – Mt Solid brass matt brushed, lacquered

TAOS 55 – Ni Solid brass, nickel-plated

TAOS 55 – Nm Solid brass nickel-plated, matt brushed

TAOS 55 – Cr Solid brass, chrome-plated

TAOS 55 – Cu Solid brass copper-plated, lacquered

TAOS 55 – Cm Solid brass copper-plated, matt brushed, lacquered

TAOS 55 – Br Solid brass bronzed, lacquered

TAOS 55 – Bd Solid brass dark-bronzed, lacquered

TAOS 40

Shade: glass white-opal Ø 40 cm (15.7")

TAOS 40 – Ms Solid brass polished, lacquered

TAOS 40 – Mt Solid brass matt brushed, lacquered

TAOS 40 – Ni Solid brass, nickel-plated

TAOS 40 – Nm Solid brass nickel-plated, matt brushed

TAOS 40 – Cr Solid brass, chrome-plated

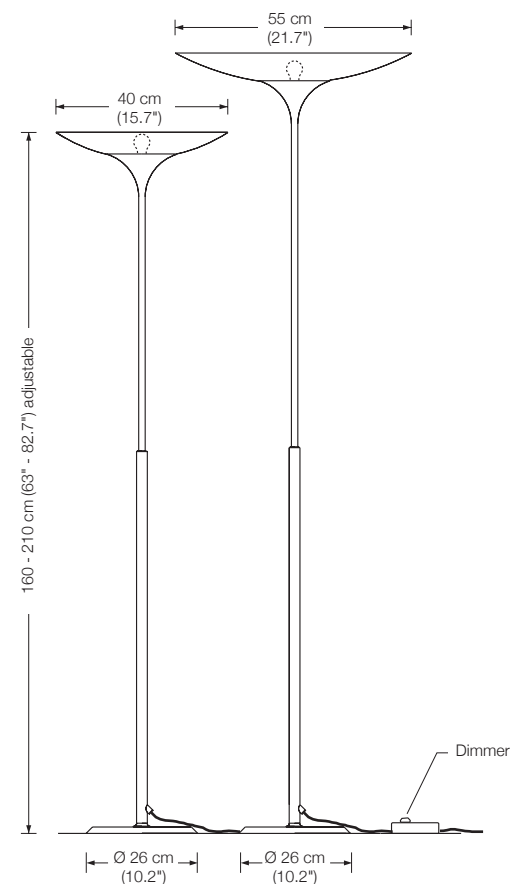
TAOS 40 – Cu Solid brass copper-plated, lacquered

TAOS 40 – Cm Solid brass copper-plated, matt brushed, lacquered

TAOS 40 – Br Solid brass bronzed, lacquered

TAOS 40 – Bd Solid brass dark-bronzed, lacquered

Additional USA 110 V conversion kit
(TAOS 55 / 40) available on request
110 V bulbs are not included



TAOS SD

Floor lamp

Designed by: Florian Schulz

Height: 160 - 190 cm (63" - 74.8") adjustable
Lampholder: E26 max. 150 W
Bulb: 1 x E26 LED á 1521 Lumen, 14,5 W incl.
2700° K, dimmable
Electric wire: 3 m (9.8 ft)
Dimmer: built in

TAOS 55 SD

Shade: glass white-opal Ø 55 cm (21.7")

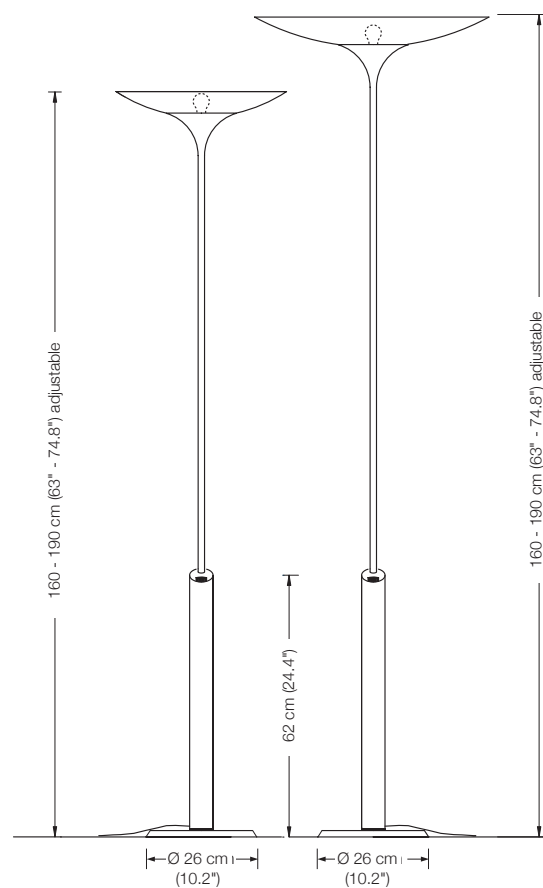
TAOS 55 SD – Ms Solid brass polished, lacquered
TAOS 55 SD – Mt Solid brass matt brushed, lacquered
TAOS 55 SD – Ni Solid brass, nickel-plated
TAOS 55 SD – Nm Solid brass nickel-plated, matt brushed
TAOS 55 SD – Cr Solid brass, chrome-plated
TAOS 55 SD – Cu Solid brass copper-plated, lacquered
TAOS 55 SD – Cm Solid brass copper-plated, matt brushed, lacquered
TAOS 55 SD – Br Solid brass bronzed, lacquered
TAOS 55 SD – Bd Solid brass dark-bronzed, lacquered

TAOS 40 SD

Shade: glass white-opal Ø 40 cm (15.7")

TAOS 40 SD – Ms Solid brass polished, lacquered
TAOS 40 SD – Mt Solid brass matt brushed, lacquered
TAOS 40 SD – Ni Solid brass, nickel-plated
TAOS 40 SD – Nm Solid brass nickel-plated, matt brushed
TAOS 40 SD – Cr Solid brass, chrome-plated
TAOS 40 SD – Cu Solid brass copper-plated, lacquered
TAOS 40 SD – Cm Solid brass copper-plated, matt brushed, lacquered
TAOS 40 SD – Br Solid brass bronzed, lacquered
TAOS 40 SD – Bd Solid brass dark-bronzed, lacquered

Additional USA 110 V conversion kit
(TAOS 55 SD / 40 SD) available on request
110 V bulbs are not included





BulLEYE-S

Floor reading lamp

Designed by: Jens Schump

Height: 107 – 172 cm (42.1" – 67.7") adjustable

Shade: rotatable, Ø 8 cm (3.1")

Lampholder: Osram CoB-LED, 8,7 W, 1000 Lumen
2700 °K, dimmable

Color rendering: > 90 Ra

Electric wire: 3 m (9.8 ft) textile cable black (standard)

Dimmer: built in

BulLEYE-S – Ms Solid brass polished, lacquered

BulLEYE-S – Mt Solid brass matt brushed, lacquered

BulLEYE-S – Ni Solid brass, nickel-plated

BulLEYE-S – Nm Solid brass nickel-plated, matt brushed

BulLEYE-S – Cr Solid brass, chrome-plated

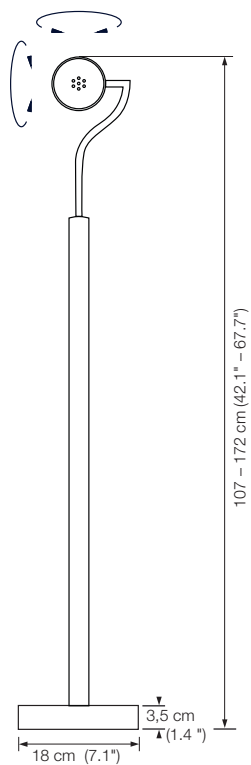
BulLEYE-S – Cu Solid brass copper-plated, lacquered

BulLEYE-S – Cm Solid brass copper-plated, matt brushed, lacquered

BulLEYE-S – Br Solid brass bronzed, lacquered

BulLEYE-S – Bd Solid brass dark-bronzed, lacquered

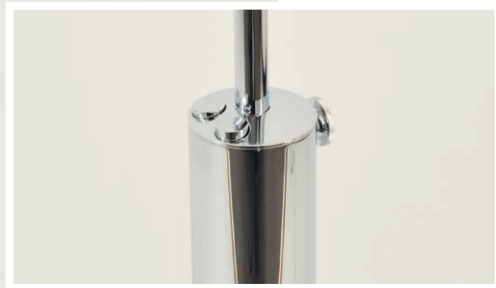
US Plug Adapter available on request



Special finish shown: matt black.



Extendable
up to 172 cm
(67.7").



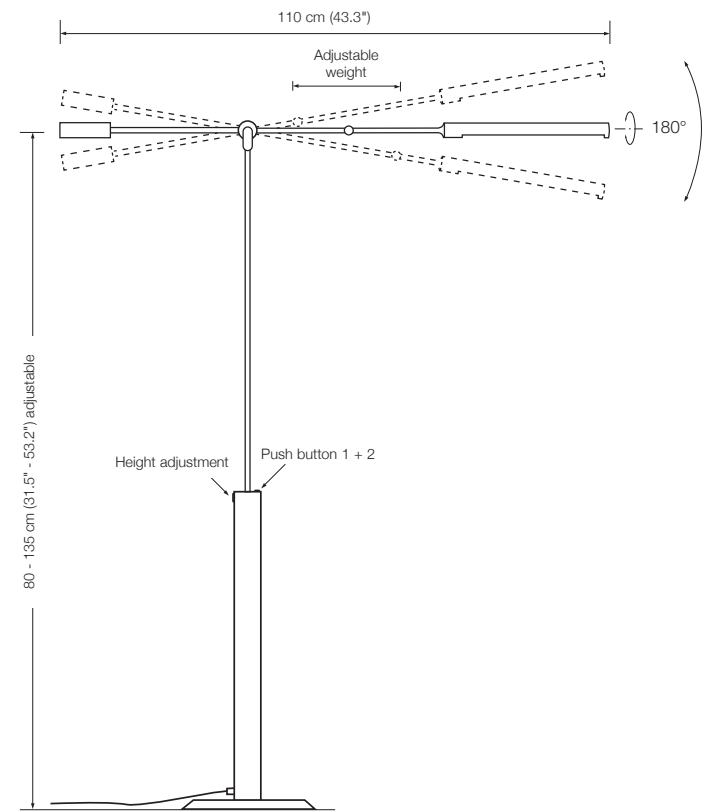
DROP

Floor reading lamp / Piano light

Designed by: Jens Schump

Height: adjustable from 80 – 135 cm (31.5" – 53.1")
 Width: 70 cm (27.6")
 Shade: Ø 3 cm (1.2"), approx. 34 cm (13.4") long, 180° rotatable
 Bulb: LED-Line TW (approx. 18,6 W) incl., exchangeable approx. 1800 Lumen, dimmable
 Push button 1: tuning white infinitely variable from 2700° – 5700° K
 Push button 2: on / off / dimming
 Color rendering: > 95 Ra
 Electric wire: 3 m (9.8 ft) textile cable black (standard)
 Dimmer: built in

- DROP – Ms Solid brass polished, lacquered
 - DROP – Mt Solid brass matt brushed, lacquered
 - DROP – Ni Solid brass, nickel-plated
 - DROP – Nm Solid brass nickel-plated, matt brushed
 - DROP – Cr Solid brass, chrome-plated
 - DROP – Cu Solid brass copper-plated, lacquered
 - DROP – Cm Solid brass copper-plated, matt brushed, lacquered
 - DROP – Br Solid brass bronzed, lacquered
 - DROP – Bd Solid brass dark-bronzed, lacquered
- US Plug Adapter available on request



NOSTALGIA-S

Floor reading lamp

Designed by: Jens Schump

Height: 120 cm (47.2")

Shade*: Silk

Colour: white or black

Shape: conical or straight

Lampholder: 1 x E26, max. 150 W

Bulb: 1 x E26 LED á 1055 Lumen,

7,8 W, 2700 °K

Electric wire: 2,5 m (8.2 ft)

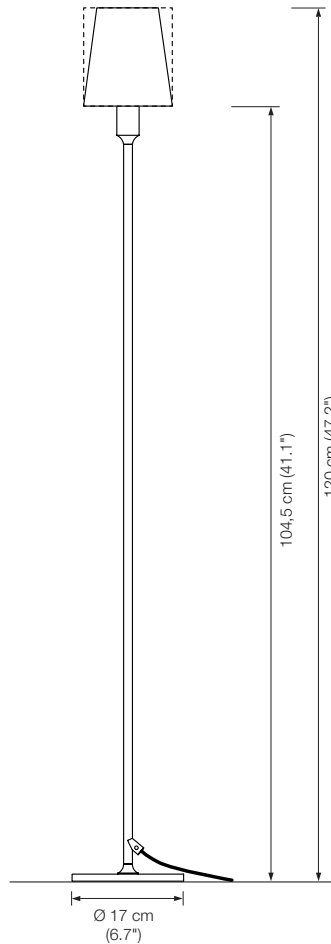
Dimmer: on cord

NOSTALGIA-S – Ms	Solid brass polished, lacquered
NOSTALGIA-S – Mt	Solid brass matt brushed, lacquered
NOSTALGIA-S – Ni	Solid brass, nickel-plated
NOSTALGIA-S – Nm	Solid brass nickel-plated, matt brushed
NOSTALGIA-S – Cr	Solid brass, chrome-plated
NOSTALGIA-S – Cu	Solid brass copper-plated, lacquered
NOSTALGIA-S – Cm	Solid brass copper-plated, matt brushed, lacquered
NOSTALGIA-S – Br	Solid brass bronzed, lacquered
NOSTALGIA-S – Bd	Solid brass dark-bronzed, lacquered

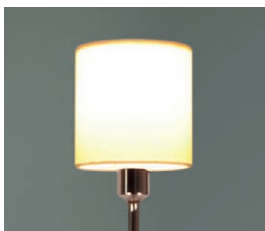
Additional USA 110 V conversion kit available on request
110 V bulbs not included

Conical Shade:
Ø 14 cm, h 15,5 cm, Ø 10 cm
(Ø 5.5", h 6.1", Ø 3.9")

Cylindrical Shade:
Ø 14 cm, h 15,5 cm
(Ø 5.5", h 6.1")



* Please specify the desired shape when ordering.
Silk according to sample card VS Manufaktur.
With all silk shades, you have the option of sending us your own fabric and we will manufacture your individual shade in our in-house manufactory.
If the shade is made from a different material:
Surcharge according to effort.
Fabric required: 50 x 25 cm (19.7" x 9.8")





STE

Floor reading lamp

Designed by: Florian Schulz

Height: adjustable
 Shade: Silk*
 Lampholder: E26, max. 150 W
 Bulb: 1 x E26 LED á 1055 Lumen, 10,5 W incl.
 2700° K, 11 W \triangleq 75 W, dimmable
 Electric wire: 3 m (9.8 ft) textile cable black (standard)
 Dimmer: on cord

STE – Ms Solid brass polished, lacquered
 STE – Mt Solid brass matt brushed, lacquered
 STE – Ni Solid brass, nickel-plated
 STE – Nm Solid brass nickel-plated, matt brushed
 STE – Cr Solid brass, chrome-plated
 STE – Cu Solid brass copper-plated, lacquered
 STE – Cm Solid brass copper-plated, matt brushed, lacquered
 STE – Br Solid brass bronzed, lacquered
 STE – Bd Solid brass dark-bronzed, lacquered
 Additional USA 110 V conversion kit available on request
 110 V bulbs not included

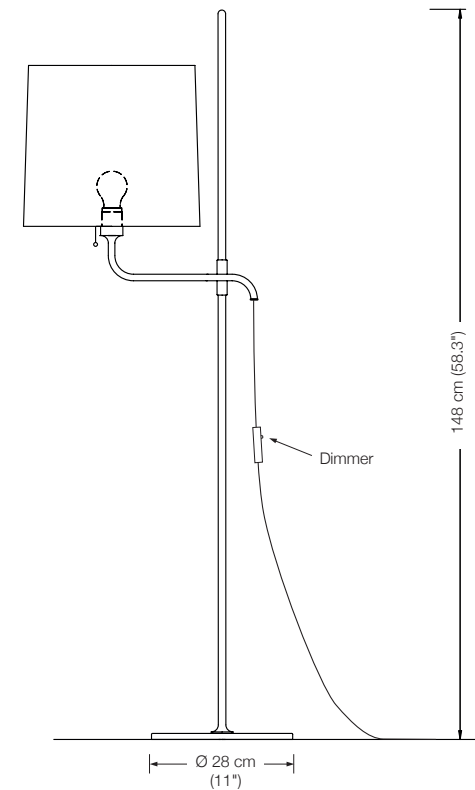
* Silk according to sample card VS Manufaktur.

With all silk shades, you have the option of sending us your own fabric and we will manufacture your individual shade in our in-house manufactory.

If the shade is made from a different material:
 Surcharge according to effort.

Fabric required: 120 x 60 cm (47.2" x 23.6")

Ø 34 cm (13.4")
 h 33 cm (13")
 Ø 35 cm (13.8")



PIN d

Floor reading lamp dimmbar

Designed by: Florian Schulz

Height: 105 - 140 cm (41.3" - 55.1") adjustable

Width: approx. 52 cm (20.5")

Bulb: 1 x LED 150 (approx. 8,4 Watt) incl.
exchangeable

approx. 840 Lumen

Color temperature: warmwhite 2700 K

Color rendering: > 90 Ra

Electric wire: 3 m (9.8 ft)

Dimmer: built in

PIN d – Ms Solid brass polished, lacquered

PIN d – Mt Solid brass matt brushed, lacquered

PIN d – Ni Solid brass, nickel-plated

PIN d – Nm Solid brass nickel-plated, matt brushed

PIN d – Cr Solid brass, chrome-plated

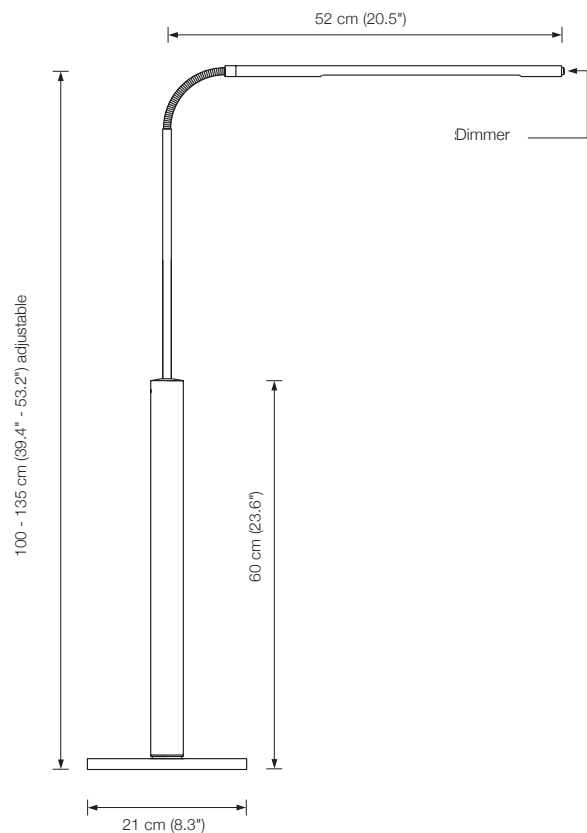
PIN d – Cu Solid brass copper-plated, lacquered

PIN d – Cm Solid brass copper-plated, matt brushed, lacquered

PIN d – Br Solid brass bronzed, lacquered

PIN d – Bd Solid brass dark-bronzed, lacquered

US Plug Adapter available on request





INAS

Floor reading lamp

Designed by: Florian Schulz
 Height: 132 - 170 cm (52" - 66.9") adjustable
 Shade: Silk, conical or straight*
 Lampholder: E26, max. 150 W
 Bulb: 1 x E26 LED á 1055 Lumen, 10,5 W incl.
 2700° K, 10,5 W $\hat{=}$ 75 W, dimmable
 Electric wire: 4 m (13.1 ft)
 Dimmer: on cord

INAS – Ms Solid brass polished, lacquered
 INAS – Mt Solid brass matt brushed, lacquered
 INAS – Ni Solid brass, nickel-plated
 INAS – Nm Solid brass nickel-plated, matt brushed
 INAS – Cr Solid brass, chrome-plated
 INAS – Cu Solid brass copper-plated, lacquered
 INAS – Cm Solid brass copper-plated, matt brushed, lacquered
 INAS – Br Solid brass bronzed, lacquered
 INAS – Bd Solid brass dark-bronzed, lacquered
 Additional USA 110 V conversion kit available on request
 110 V bulbs not included

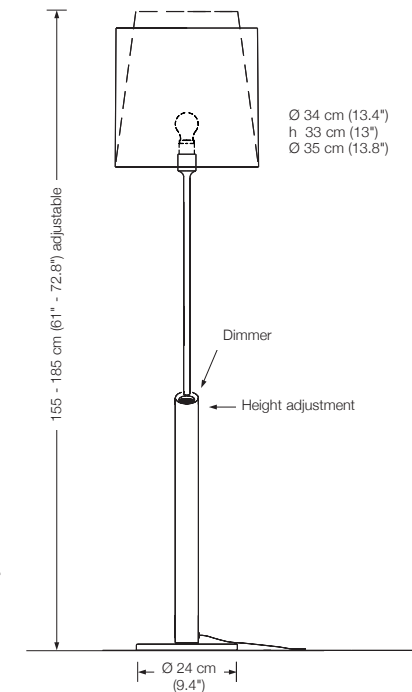
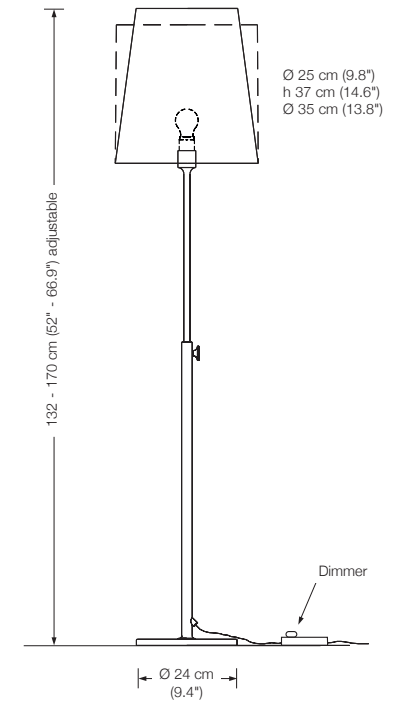
INAS SD

Floor reading lamp

Designed by: Florian Schulz
 Height: 155 - 185 cm (61" - 72.8") adjustable
 Shade: Silk, conical or straight*
 Lampholder: E26, max. 150 W
 Bulb: 1 x E26 LED á 1055 Lumen, 10,5 W incl.
 2700° K, 10,5 W $\hat{=}$ 75 W, dimmable
 Electric wire: 4 m (13.1 ft)
 Dimmer: built in

INAS SD – Ms Solid brass polished, lacquered
 INAS SD – Mt Solid brass matt brushed, lacquered
 INAS SD – Ni Solid brass, nickel-plated
 INAS SD – Nm Solid brass nickel-plated, matt brushed
 INAS SD – Cr Solid brass, chrome-plated
 INAS SD – Cu Solid brass copper-plated, lacquered
 INAS SD – Cm Solid brass copper-plated, matt brushed, lacquered
 INAS SD – Br Solid brass bronzed, lacquered
 INAS SD – Bd Solid brass dark-bronzed, lacquered
 Additional USA 110 V conversion kit available on request
 110 V bulbs not included

* Please specify the desired shape when ordering. Silk according to sample card VS Manufaktur. **With all silk shades, you have the option of sending us your own fabric and we will manufacture your individual shade in our in-house manufactory.** If the shade is made from a different material: Surcharge according to effort. Fabric required: 120 x 60 cm (47.3" x 23.6")





LESAN M

Floor reading lamp

Designed by: Florian Schulz

Height: 90 - 135 cm (35.4" - 53.1") adjustable
 Shade: metal Ø 28 cm (11")
 Lampholder: E26, max. 100 W
 Bulb: 1 x E26 LED á 1055 Lumen, 10,5 W incl.
 2700° K, 10,5 W $\hat{=}$ 75 W, dimmable
 Electric wire: 3 m (9.8 ft)
 Dimmer: on cord

LESAN M – Ms Solid brass polished, lacquered
 LESAN M – Mt Solid brass matt brushed, lacquered
 LESAN M – Ni Solid brass, nickel-plated
 LESAN M – Nm Solid brass nickel-plated, matt brushed
 LESAN M – Cr Solid brass, chrome-plated
 LESAN M – Cu Solid brass copper-plated, lacquered
 LESAN M – Cm Solid brass copper-plated, matt brushed, lacquered
 LESAN M – Br Solid brass bronzed, lacquered
 LESAN M – Bd Solid brass dark-bronzed, lacquered

LESAN S

Floor reading lamp

Designed by: Florian Schulz

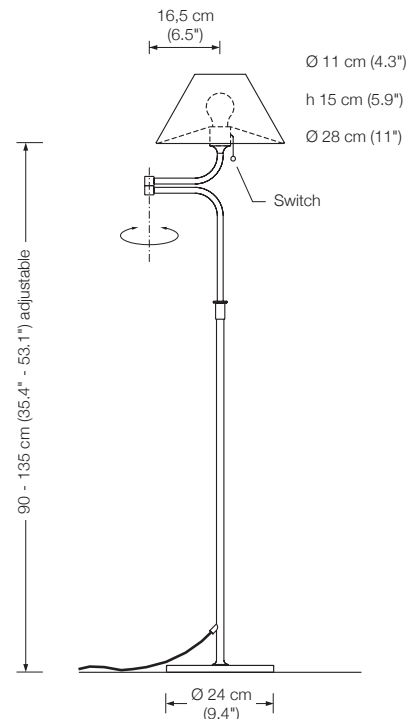
Height: 90 - 135 cm (35.4" - 53.1") adjustable
 Shade: Silk* Ø 28 cm (11")
 Lampholder: E26, max. 70 W
 Bulb: 1 x E26 LED á 1055 Lumen, 10,5 W incl.
 2700° K, 10,5 W $\hat{=}$ 75 W, dimmable
 Electric wire: 3 m (9.8 ft)
 Dimmer: on cord

LESAN S – Ms Solid brass polished, lacquered
 LESAN S – Mt Solid brass matt brushed, lacquered
 LESAN S – Ni Solid brass, nickel-plated
 LESAN S – Nm Solid brass nickel-plated, matt brushed
 LESAN S – Cr Solid brass, chrome-plated
 LESAN S – Cu Solid brass copper-plated, lacquered
 LESAN S – Cm Solid brass copper-plated, matt brushed, lacquered
 LESAN S – Br Solid brass bronzed, lacquered
 LESAN S – Bd Solid brass dark-bronzed, lacquered

* Silk according to sample card VS Manufaktur. **With all silk shades, you have the option of sending us your own fabric and we will manufacture your individual shade in our in-house manufactory.** If the shade is made from a different material:

Surcharge according to effort. Fabric required: 50 x 80 cm (19.7" x 31.5")

Additional USA 110 V conversion kit (LESAN M / S) available on request
 110 V bulbs not included

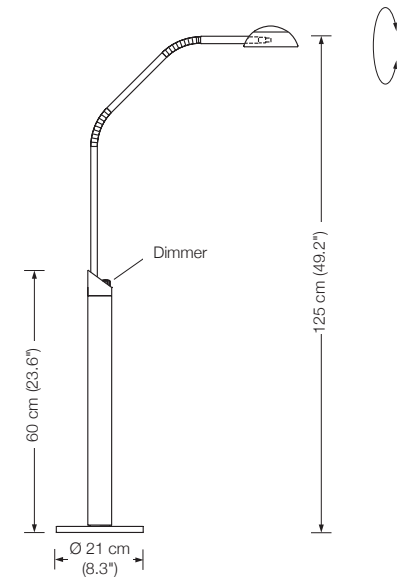


YON

Floor reading lamp

Designed by: Florian Schulz
 Height: adjustable
 Shade: metal Ø 12 cm (4.7"), rotatable
 Lampholder: GY6.35, max. 50 W / 12 V
 Bulb: 1 x G6 incl., 35 W $\hat{=}$ 50 W, dimmable
 Electric wire: 4 m (13.1 ft)
 Dimmer: built in

YON – Ms Solid brass polished, lacquered
 YON – Mt Solid brass matt brushed, lacquered
 YON – Ni Solid brass, nickel-plated
 YON – Nm Solid brass nickel-plated, matt brushed
 YON – Cr Solid brass, chrome-plated
 YON – Cu Solid brass copper-plated, lacquered
 YON – Cm Solid brass copper-plated, matt brushed, lacquered
 YON – Br Solid brass bronzed, lacquered
 YON – Bd Solid brass dark-bronzed, lacquered
 Additional USA 110 V conversion kit available on request



YON G

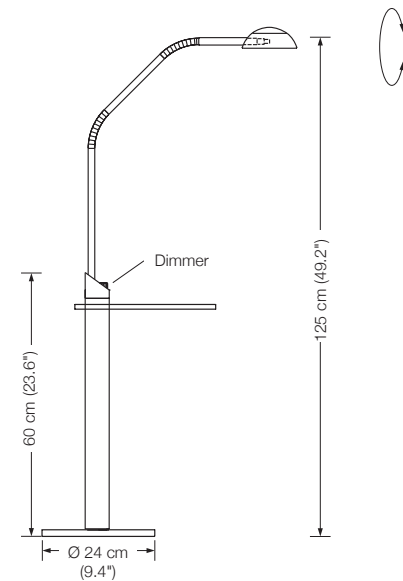
Floor reading lamp

with glass tabletop Ø 30 cm (11.8"), clear glass

Designed by: Florian Schulz

Height: adjustable
 Shade: metal Ø 12 cm (4.7"), rotatable
 Lampholder: GY6.35, max. 50 W / 12 V
 Bulb: 1 x G6 incl., 35 W $\hat{=}$ 50 W, dimmable
 Electric wire: 4 m (13.1 ft)
 Dimmer: built in

YON G – Ms Solid brass polished, lacquered
 YON G – Mt Solid brass matt brushed, lacquered
 YON G – Ni Solid brass, nickel-plated
 YON G – Nm Solid brass nickel-plated, matt brushed
 YON G – Cr Solid brass, chrome-plated
 YON G – Cu Solid brass copper-plated, lacquered
 YON G – Cm Solid brass copper-plated, matt brushed, lacquered
 YON G – Br Solid brass bronzed, lacquered
 YON G – Bd Solid brass dark-bronzed, lacquered
 Additional USA 110 V conversion kit



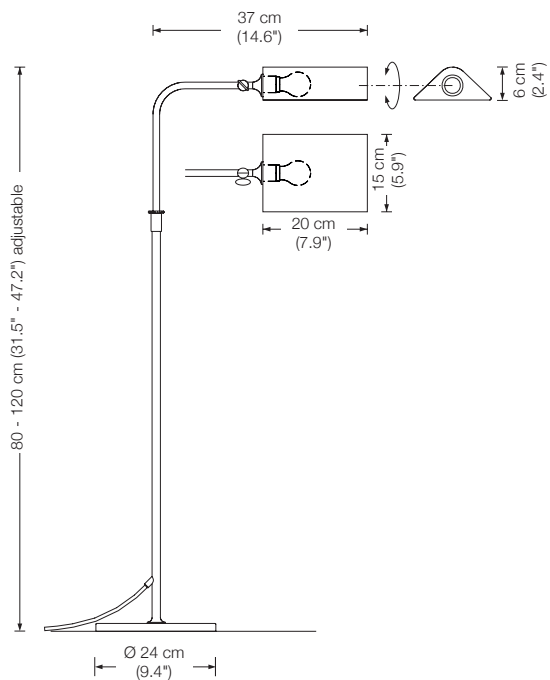
CERVANTES

Floor reading lamp

Designed by: Florian Schulz

Height: 80 - 120 cm (31.5" - 47.2") adjustable
Shade: metal, adjustable
Lampholder: E26, max. 100 W
Bulb: 1 x E26 LED á 1055 Lumen, 10,5 W incl.
2700° K, 10,5 W \triangleq 75 W, dimmable
Electric wire: 4 m (13.1 ft)
Dimmer: on cord

CERVANTES – Ms Solid brass polished, lacquered
CERVANTES – Mt Solid brass matt brushed, lacquered
CERVANTES – Ni Solid brass, nickel-plated
CERVANTES – Nm Solid brass nickel-plated, matt brushed
CERVANTES – Cr Solid brass, chrome-plated
CERVANTES – Cu Solid brass copper-plated, lacquered
CERVANTES – Cm Solid brass copper-plated, matt brushed, lacquered
CERVANTES – Br Solid brass bronzed, lacquered
CERVANTES – Bd Solid brass dark-bronzed, lacquered
Additional USA 110 V conversion kit available on request
110 V bulbs not included





BulLEYE-T

Table lamp

Designed by: Jens Schump

Height: 63 – 86 cm (24.8" – 33.9") adjustable

Shade: rotatable, Ø 8 cm (3.1")

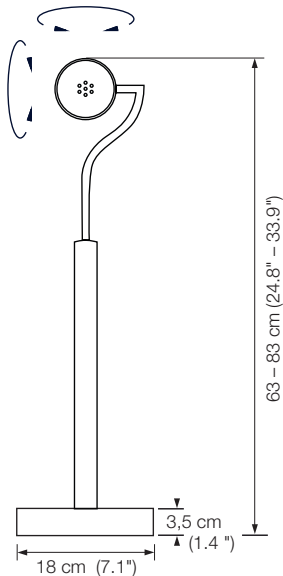
Lampholder: Osram CoB-LED, 8,7 W, 1000 Lumen
2700 °K, dimmable

Color rendering: > 90 Ra

Electric wire: 3 m (9.8 ft) textile cable black (standard)

Dimmer: built in

BulLEYE-T – Ms Solid brass polished, lacquered
BulLEYE-T – Mt Solid brass matt brushed, lacquered
BulLEYE-T – Ni Solid brass, nickel-plated
BulLEYE-T – Nm Solid brass nickel-plated, matt brushed
BulLEYE-T – Cr Solid brass, chrome-plated
BulLEYE-T – Cu Solid brass copper-plated, lacquered
BulLEYE-T – Cm Solid brass copper-plated, matt brushed, lacquered
BulLEYE-T – Br Solid brass bronzed, lacquered
BulLEYE-T – Bd Solid brass dark-bronzed, lacquered
US Plug Adapter available on request



Special finish shown: matt white.



Extendable
up to 83 cm
(32.7").



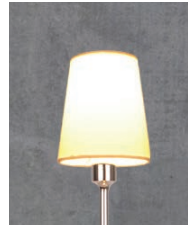
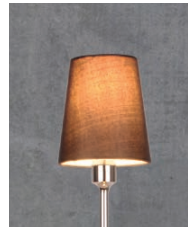
NOSTALGIA-T

Table lamp

Designed by: Jens Schump

Height: 48,5 cm (19.1")
 Shade*: Silk
 Colour: white or black
 Shape: conical or straight
 Lampholder: 1 x E26, max. 150 W
 Bulb: 1 x E26 LED á 1055 Lumen,
 7,8 W, 2700 °K
 Electric wire: 2 m (6.5 ft)
 Dimmer: on cord

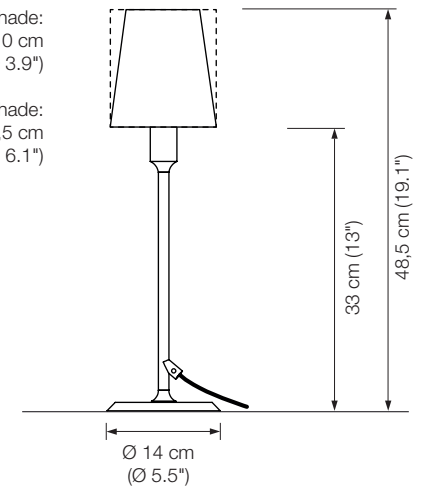
NOSTALGIA-T – Ms Solid brass polished, lacquered
 NOSTALGIA-T – Mt Solid brass matt brushed, lacquered
 NOSTALGIA-T – Ni Solid brass, nickel-plated
 NOSTALGIA-T – Nm Solid brass nickel-plated, matt brushed
 NOSTALGIA-T – Cr Solid brass, chrome-plated
 NOSTALGIA-T – Cu Solid brass copper-plated, lacquered
 NOSTALGIA-T – Cm Solid brass copper-plated, matt brushed, lacquered
 NOSTALGIA-T – Br Solid brass bronzed, lacquered
 NOSTALGIA-T – Bd Solid brass dark-bronzed, lacquered
 Additional USA 110 V conversion kit available on request



* Please specify the desired shape when ordering.
 Silk according to sample card VS Manufaktur.
With all silk shades, you have the option of sending us your own fabric and we will manufacture your individual shade in our in-house manufactory.
 If the shade is made from a different material: Surcharge according to effort.
 Fabric required: 50 x 25 cm (19.7" x 9.8")

Conical Shade:
 Ø 14 cm, h 15,5 cm, Ø 10 cm
 (Ø 5.5", h 6.1", Ø 3.9")

Cylindrical Shade:
 Ø 14 cm, h 15,5 cm
 (Ø 5.5", h 6.1")



TOA

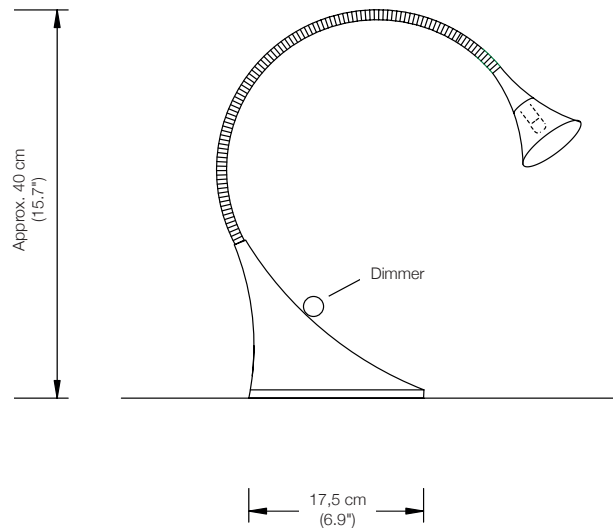
Table lamp

flexible and specially reinforced metal arm

Designed by: Florian Schulz

Height: up to max. 50 cm (19.7")
Shade: TEFLON white, Ø 7 cm (2.8")
Lampholder: GY6.35, max. 50 W / 12 V
Bulb: 1 x G6 incl., dimmable
Electric wire: 2,5 m (8.2 ft)
Dimmer: built in

TOA – Ms Solid brass polished, lacquered
TOA – Mt Solid brass matt brushed, lacquered
TOA – Ni Solid brass, nickel-plated
TOA – Nm Solid brass nickel-plated, matt brushed
TOA – Cr Solid brass, chrome-plated
TOA – Cu Solid brass copper-plated, lacquered
TOA – Cm Solid brass copper-plated, matt brushed, lacquered
TOA – Br Solid brass bronzed, lacquered
TOA – Bd Solid brass dark-bronzed, lacquered
Additional USA 110 V conversion kit available on request





Walnut
mocha



Walnut
cognac

TAU

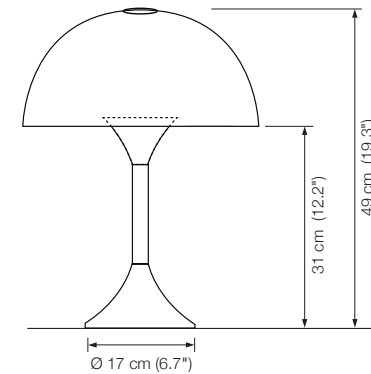
Table lamp

Designed by: Jens Schump

Height: approx. 50 cm
Shade: glass white-opal, Ø 36 cm (14.2")
Lampholder: 3 x E26, max. 100 Watt
Bulb: 3 x E26 LED á 1055 Lumen, 10,5 W incl., dimmable
Middle part: walnut mocha (*standard*)*
Electric wire: 2,5 m (8.2 ft)
Dimmer: built in

TAU – Ms Solid brass polished, lacquered
TAU – Mt Solid brass matt brushed, lacquered
TAU – Ni Solid brass, nickel-plated
TAU – Nm Solid brass nickel-plated, matt brushed
TAU – Cr Solid brass, chrome-plated
TAU – Cu Solid brass copper-plated, lacquered
TAU – Cm Solid brass copper-plated, matt brushed, lacquered
TAU – Br Solid brass bronzed, lacquered
TAU – Bd Solid brass dark-bronzed, lacquered
Additional USA 110 V conversion kit available on request
110 V bulbs not included

* Optional: walnut cognac
Please indicate with order.



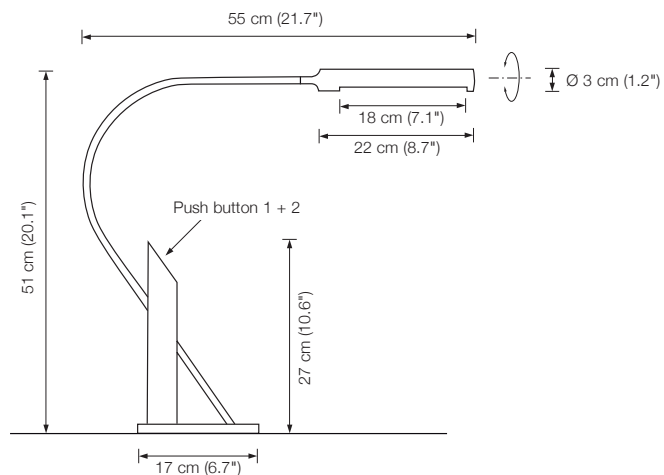
TOPAN

Table lamp

Designed by: Jens Schump

Height: 51 cm (20.1")
Width: 55 cm (21.7")
Shade: Ø 3 cm (1.2"), approx. 23 cm (9.1") long, 180° rotatable
Bulb: LED-Line TW (approx. 12,5 W) incl., exchangeable
approx. 1330 Lumen
dimmable
Push button 1: tuning white infinitely variable from 2700° – 5700° K
Push button 2: on / off / dimming
Color rendering: > 95 Ra
Electric wire: 3 m (9.8 ft) textile cable black (*standard*)
Dimmer: built in

TOPAN – Ms Solid brass polished, lacquered
TOPAN – Mt Solid brass matt brushed, lacquered
TOPAN – Ni Solid brass, nickel-plated
TOPAN – Nm Solid brass nickel-plated, matt brushed
TOPAN – Cr Solid brass, chrome-plated
TOPAN – Cu Solid brass copper-plated, lacquered
TOPAN – Cm Solid brass copper-plated, matt brushed, lacquered
TOPAN – Br Solid brass bronzed, lacquered
TOPAN – Bd Solid brass dark-bronzed, lacquered
US Plug Adapter available on request





ORA

Table lamp

Designed by: Florian Schulz

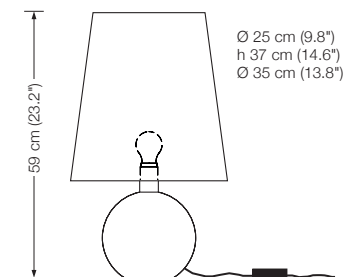
Shade: Silk*
 Lampholder: E26, max. 100 W
 Bulb: 1 x E26 LED á 1055 Lumen, 10,5 W incl.
 2700° K, 11 W $\hat{=}$ 75 W, dimmable
 Electric wire: 3 m (9.8 ft)
 Dimmer: on cord

Additional USA 110 V
 conversion kit (ORA 20 / 25)
 available on request
 110 V bulbs not included

ORA 20

Metal ball Ø 20 cm (7.9")
 Height: 59 cm (23.2")

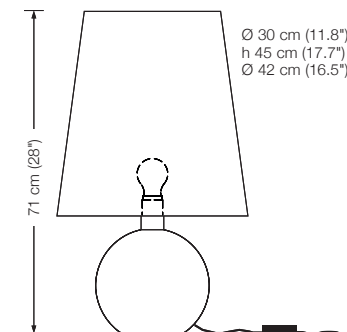
ORA 20 – Ms Solid brass polished, lacquered
 ORA 20 – Mt Solid brass matt brushed, lacquered
 ORA 20 – Ni Solid brass, nickel-plated
 ORA 20 – Nm Solid brass nickel-plated, matt brushed
 ORA 20 – Cr Solid brass, chrome-plated
 ORA 20 – Cu Solid brass copper-plated, lacquered
 ORA 20 – Cm Solid brass copper-plated, matt brushed, lacquered
 ORA 20 – Br Solid brass bronzed, lacquered
 ORA 20 – Bd Solid brass dark-bronzed, lacquered



ORA 25

Metal ball Ø 25 cm (9.8")
 Height: 71 cm (28")

ORA 25 – Ms Solid brass polished, lacquered
 ORA 25 – Mt Solid brass matt brushed, lacquered
 ORA 25 – Ni Solid brass, nickel-plated
 ORA 25 – Nm Solid brass nickel-plated, matt brushed
 ORA 25 – Cr Solid brass, chrome-plated
 ORA 25 – Cu Solid brass copper-plated, lacquered
 ORA 25 – Cm Solid brass copper-plated, matt brushed, lacquered
 ORA 25 – Br Solid brass bronzed, lacquered
 ORA 25 – Bd Solid brass dark-bronzed, lacquered



* Silk according to sample card VS Manufaktur.

With all silk shades, you have the option of sending us your own fabric and we will manufacture your individual shade in our in-house manufactory.

If the shade is made from a different material: Surcharge according to effort.

Fabric required ORA 20: 120 x 60 cm (47.2" x 23.6")

Fabric required ORA 25: 140 x 70 cm (55.1" x 27.6")

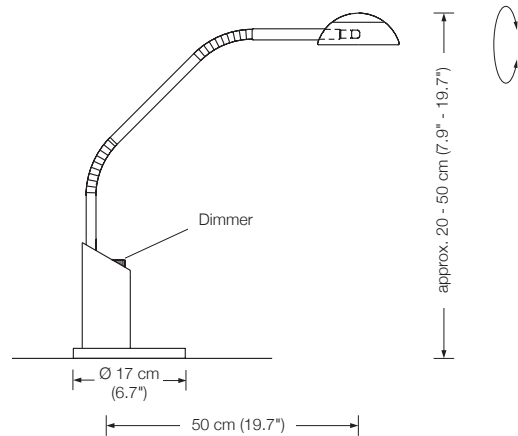
YON T

Table lamp

Designed by: Florian Schulz

Shade: metal Ø 12 cm (4.7"), adjustable
Lampholder: GY6.35, max. 50 W / 12 V
Bulb: 1 x G6 incl., 35 W $\hat{=}$ 50 W, dimmable
Electric wire: 2,5 m (8.2 ft)
Dimmer: built in

YON T – Ms Solid brass polished, lacquered
YON T – Mt Solid brass matt brushed, lacquered
YON T – Ni Solid brass, nickel-plated
YON T – Nm Solid brass nickel-plated, matt brushed
YON T – Cr Solid brass, chrome-plated
YON T – Cu Solid brass copper-plated, lacquered
YON T – Cm Solid brass copper-plated, matt brushed, lacquered
YON T – Br Solid brass bronzed, lacquered
YON T – Bd Solid brass dark-bronzed, lacquered
Additional USA 110 V conversion kit available on request





ESA

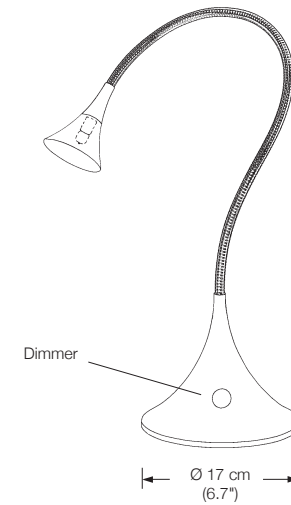
Table lamp

flexible and specially reinforced metal arm

Designed by: Florian Schulz

Height: up to 50 cm (19.7")
 Shade: TEFLON white, Ø 7 cm (2.8")
 Lampholder: GY6.35, max. 50 W
 Bulb: 1 x G6 incl., 35 W $\hat{=}$ 50 W, dimmable
 Electric wire: 2,5 m (8.2 ft)
 Dimmer: built in

ESA – Ms Solid brass polished, lacquered
 ESA – Mt Solid brass matt brushed, lacquered
 ESA – Ni Solid brass, nickel-plated
 ESA – Nm Solid brass nickel-plated, matt brushed
 ESA – Cr Solid brass, chrome-plated
 ESA – Cu Solid brass copper-plated, lacquered
 ESA – Cm Solid brass copper-plated, matt brushed, lacquered
 ESA – Br Solid brass bronzed, lacquered
 ESA – Bd Solid brass dark-bronzed, lacquered
 Additional USA 110 V conversion kit available on request



ELAS

Table lamp

Designed by: Florian Schulz

Height: 50 - 70 cm (19.7" - 27.6") adjustable
Shade: metal Ø 28 cm (11")
Lampholder: E26, max. 100 W
Bulb: 1 x E26 LED á 1055 Lumen, 10,5 W incl.
2700° K, 11 W $\hat{=}$ 75 W, dimmable
Electric wire: 2,5 m (8.2 ft)
Dimmer: on cord

ELAS – Ms Solid brass polished, lacquered
ELAS – Mt Solid brass matt brushed, lacquered
ELAS – Ni Solid brass, nickel-plated
ELAS – Nm Solid brass nickel-plated, matt brushed
ELAS – Cr Solid brass, chrome-plated
ELAS – Cu Solid brass copper-plated, lacquered
ELAS – Cm Solid brass copper-plated, matt brushed, lacquered
ELAS – Br Solid brass bronzed, lacquered
ELAS – Bd Solid brass dark-bronzed, lacquered

ELAS S

Table lamp

Designed by: Florian Schulz

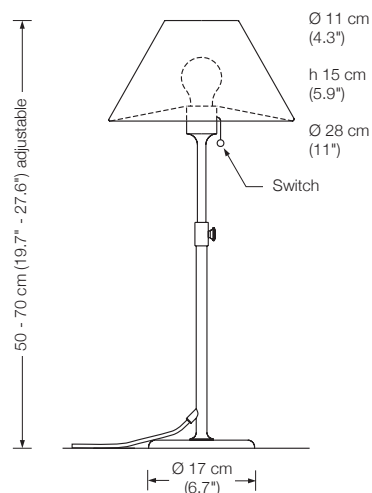
Height: 50 - 70 cm (19.7" - 27.6") adjustable
Shade: Silk* Ø 28 cm (11")
Lampholder: E26, max. 100 W
Bulb: 1 x E26 LED á 1055 Lumen, 10,5 W incl.
2700° K, 11 W $\hat{=}$ 75 W, dimmable
Electric wire: 2,5 m (8.2 ft)
Dimmer: on cord

ELAS S – Ms Solid brass polished, lacquered
ELAS S – Mt Solid brass matt brushed, lacquered
ELAS S – Ni Solid brass, nickel-plated
ELAS S – Nm Solid brass nickel-plated, matt brushed
ELAS S – Cr Solid brass, chrome-plated
ELAS S – Cu Solid brass copper-plated, lacquered
ELAS S – Cm Solid brass copper-plated, matt brushed, lacquered
ELAS S – Br Solid brass bronzed, lacquered
ELAS S – Bd Solid brass dark-bronzed, lacquered

* Silk according to sample card VS Manufaktur.

With all silk shades, you have the option of sending us your own fabric and we will manufacture your individual shade in our in-house manufactory.

If the shade is made from a different material: Surcharge according to effort.
Fabric required: 50 x 80 cm (19.7" x 31.5")



Additional USA 110 V conversion kit (ELAS / ELAS S) available on request
110 V bulbs not included



TOLED

Desk lamp

Designed by: Florian Schulz

Height: 45 cm (17.7")

Width: 70 cm (27.6")

Shade: rotatable

Bulb: 1 x LED 150 (approx. 6 Watt) incl.
exchangeable
approx. 600 Lumen

Color temperature: warmwhite 2700 K

Color rendering: > 90 Ra

Electric wire: 2,5 m (8.2 ft)

TOLED – Ms Solid brass polished, lacquered

TOLED – Mt Solid brass matt brushed, lacquered

TOLED – Ni Solid brass, nickel-plated

TOLED – Nm Solid brass nickel-plated, matt brushed

TOLED – Cr Solid brass, chrome-plated

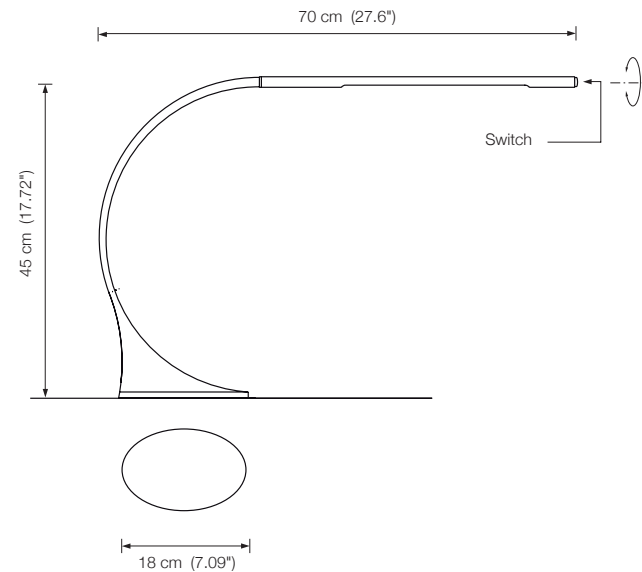
TOLED – Cu Solid brass copper-plated, lacquered

TOLED – Cm Solid brass copper-plated, matt brushed, lacquered

TOLED – Br Solid brass bronzed, lacquered

TOLED – Bd Solid brass dark-bronzed, lacquered

Additional USA 110 V conversion kit available on request



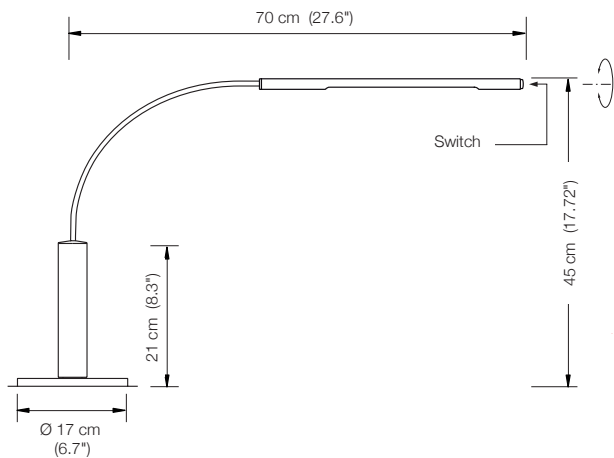
PIN T *Discontinued Model. Only while stocks last.*

Desk lamp

Designed by: Florian Schulz

Height: 45 cm (17.7")
Width: 70 cm (27.6")
Shade: rotatable
Bulb: 1 x LED 150 (approx. 6 Watt) incl.
exchangeable
approx. 600 Lumen
Color temperature: warmwhite 2700 K
Color rendering: > 90 Ra
Electric wire: 3 m (9.8 ft)

PIN T – Ms Solid brass polished, lacquered
PIN T – Mt Solid brass matt brushed, lacquered
PIN T – Ni Solid brass, nickel-plated
PIN T – Nm Solid brass nickel-plated, matt brushed
PIN T – Cr Solid brass, chrome-plated
PIN T – Cu Solid brass copper-plated, lacquered
PIN T – Cm Solid brass copper-plated, matt brushed, lacquered
PIN T – Br Solid brass bronzed, lacquered
PIN T – Bd Solid brass dark-bronzed, lacquered
Additional USA 110 V conversion kit available on request





PIN W dim

Wall lamp

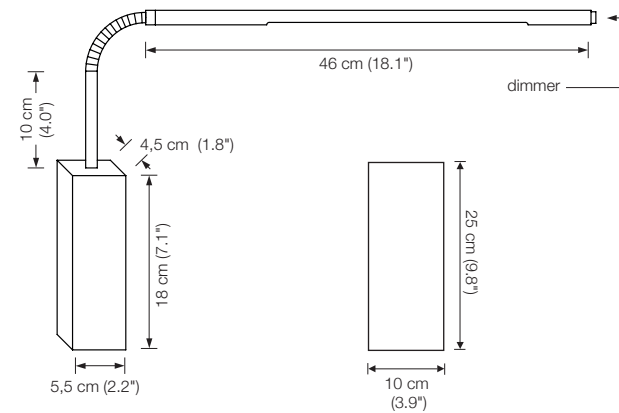
Designed by: Jens Schump

Height: 35 cm (13.8")
 Width: 60 cm (23.6")
 Bulb: 1 x LED-Line 150 (approx. 8,4 Watt) incl. exchangeable approx. 840 Lumen

Color temperature: warmwhite 2700 K
 Color rendering: > 90 Ra
 Dimmer: built in

PIN W dim – Ms Solid brass polished, lacquered
 PIN W dim – Mt Solid brass matt brushed, lacquered
 PIN W dim – Ni Solid brass, nickel-plated
 PIN W dim – Nm Solid brass nickel-plated, matt brushed
 PIN W dim – Cr Solid brass, chrome-plated
 PIN W dim – Cu Solid brass copper-plated, lacquered
 PIN W dim – Cm Solid brass copper-plated, matt brushed, lacquered
 PIN W dim – Br Solid brass bronzed, lacquered
 PIN W dim – Bd Solid brass dark-bronzed, lacquered

Backplate rectangular 25 x 10 cm (9.8" x 3.9") standard or 25 x 12 cm (9.8" x 4.7") - please indicate with order
 4" junction box: not covered



NOSTALGIA-W

Wall lamp

Designed by: Jens Schump

Height: 31 cm (12.2")

Width: 19 cm (7.5")

Shade*: Silk

Colour: white or black

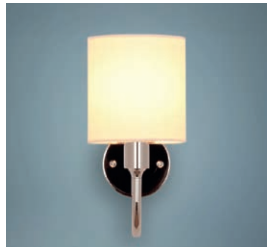
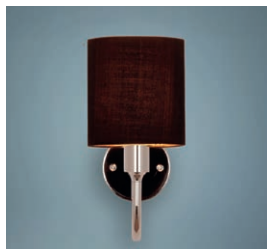
Shape: conical or straight

Lampholder: 1 x E26, max. 150 W

Bulb: 1 x E26 LED á 1055 Lumen,
7,8 W, 2700 °K, dimmable

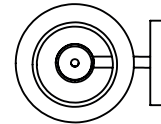
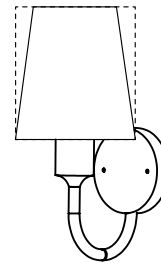
Dimmer: possible via house installation

NOSTALGIA-W – Ms	Solid brass polished, lacquered
NOSTALGIA-W – Mt	Solid brass matt brushed, lacquered
NOSTALGIA-W – Ni	Solid brass, nickel-plated
NOSTALGIA-W – Nm	Solid brass nickel-plated, matt brushed
NOSTALGIA-W – Cr	Solid brass, chrome-plated
NOSTALGIA-W – Cu	Solid brass copper-plated, lacquered
NOSTALGIA-W – Cm	Solid brass copper-plated, matt brushed, lacquered
NOSTALGIA-W – Br	Solid brass bronzed, lacquered
NOSTALGIA-W – Bd	Solid brass dark-bronzed, lacquered



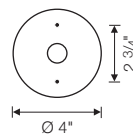
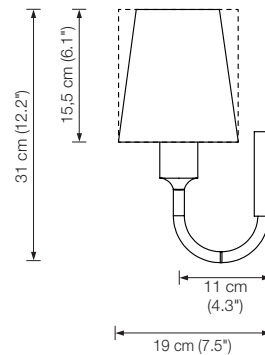
* Please specify the desired shape when ordering.
Silk according to sample card VS Manufaktur.
With all silk shades, you have the option of sending us your own fabric and we will manufacture your individual shade in our in-house manufactory.
If the shade is made from a different material:
Surcharge according to effort.
Fabric required: 50 x 25 cm (19.7" x 9.8")

NOSTALGIA W:
4" junction box: not covered
Backplate Ø 12 cm (4.72")
Additional 110 V conversion kit available on request
110 V bulbs not included



Conical Shade:
Ø 14 cm, h 15,5 cm, Ø 10 cm
(Ø 5.5", h 6.1", Ø 3.9")

Cylindrical Shade:
Ø 14 cm, h 15,5 cm
(Ø 5.5", h 6.1")





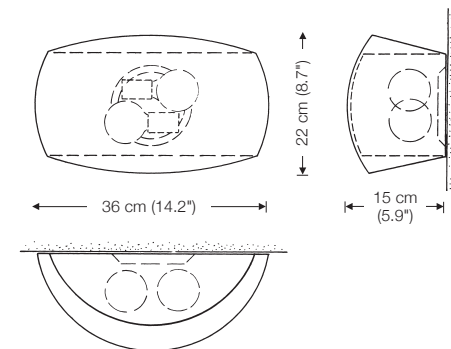
BEO

Wall and Stairway lamp
direct and indirect light
glass diffuser top and bottom

Designed by: Florian Schulz

Width: 36 cm (14.2")
 Lampholder: 2 x E26, max. 2 x 100 W
 Bulb: 2 x E26 LED á 1055 Lumen, 10,5 W incl., dimmable
 2700° K, 11 W $\hat{=}$ 75 W
 Dimmer: possible via house installation

BEO – Ms Solid brass polished, lacquered
 BEO – Mt Solid brass matt brushed, lacquered
 BEO – Ni Solid brass, nickel-plated
 BEO – Nm Solid brass nickel-plated, matt brushed
 BEO – Cr Solid brass, chrome-plated
 BEO – Cu Solid brass copper-plated, lacquered
 BEO – Cm Solid brass copper-plated, matt brushed, lacquered
 BEO – Br Solid brass bronzed, lacquered
 BEO – Bd Solid brass dark-bronzed, lacquered
 Additional USA 110 V conversion kit available on request
 4" junction box: covered
 110 V bulbs not included



VAO

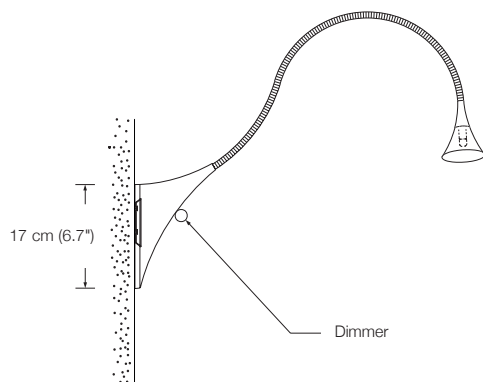
Wall lamp,
flexible and specially reinforced metal arm

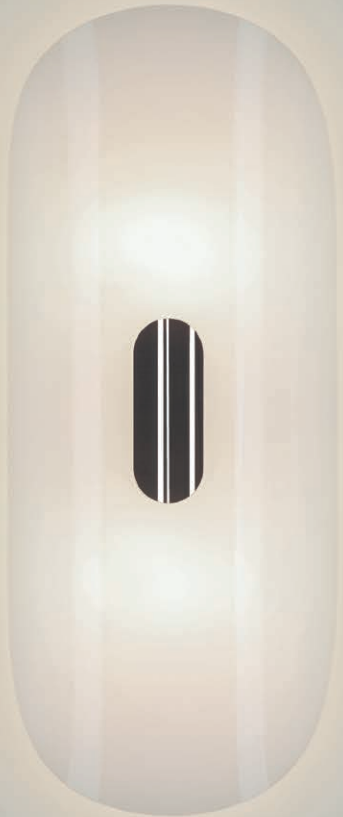
Designed by: Florian Schulz

Height: approx. 44 cm (17.3")
Shade: TEFLON white, Ø 7 cm (2.8")
Lampholder: GY6.35, max. 20 W / 12 V
Bulb: 1 x G6 incl., 35 W $\hat{=}$ 50 W, dimmable
Dimmer: built in

VAO – Ms Solid brass polished, lacquered
VAO – Mt Solid brass matt brushed, lacquered
VAO – Ni Solid brass, nickel-plated
VAO – Nm Solid brass nickel-plated, matt brushed
VAO – Cr Solid brass, chrome-plated
VAO – Cu Solid brass copper-plated, lacquered
VAO – Cm Solid brass copper-plated, matt brushed, lacquered
VAO – Br Solid brass bronzed, lacquered
VAO – Bd Solid brass dark-bronzed, lacquered

Additional USA 110 V conversion kit available on request
4" junction box: covered





GEA

Wall lamp

Designed by: Florian Schulz

Height: 43 cm (16.9")
 Shade: glass white-opal
 Lampholder: 2 x E26, max. 2 x 100 W
 Bulb: 2 x E26 LED á 1055 Lumen, 10,5 W incl., dimmable
 Dimmer: on site

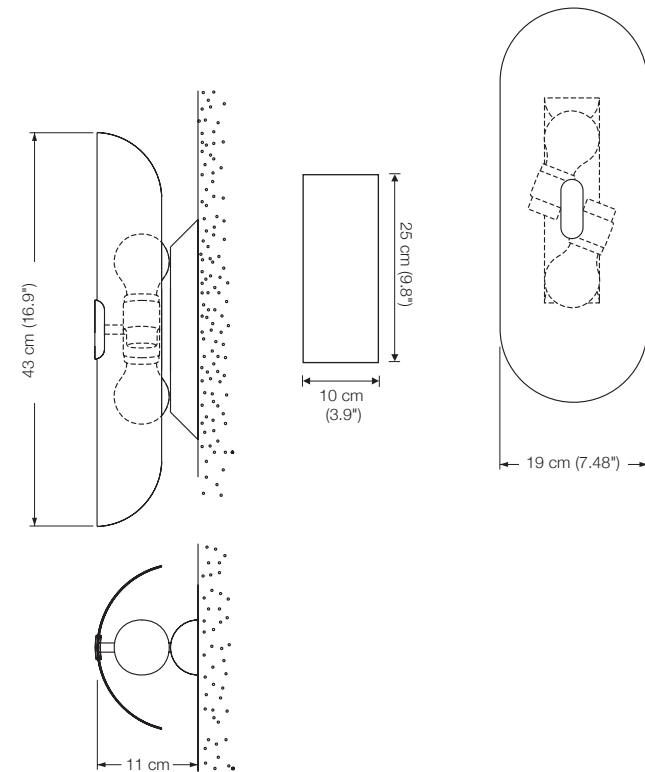
GEA – Ms Solid brass polished, lacquered
 GEA – Mt Solid brass matt brushed, lacquered
 GEA – Ni Solid brass, nickel-plated
 GEA – Nm Solid brass nickel-plated, matt brushed
 GEA – Cr Solid brass, chrome-plated
 GEA – Cu Solid brass copper-plated, lacquered
 GEA – Cm Solid brass copper-plated, matt brushed, lacquered
 GEA – Br Solid brass bronzed, lacquered
 GEA – Bd Solid brass dark-bronzed, lacquered

Additional USA 110 V conversion kit available on request

110 V bulbs not included

Backplate rectangular 25 x 10 cm (9.8" x 3.9") standard
 or 25 x 12 cm (9.8" x 4.7") - please indicate with order

4" junction box: not covered



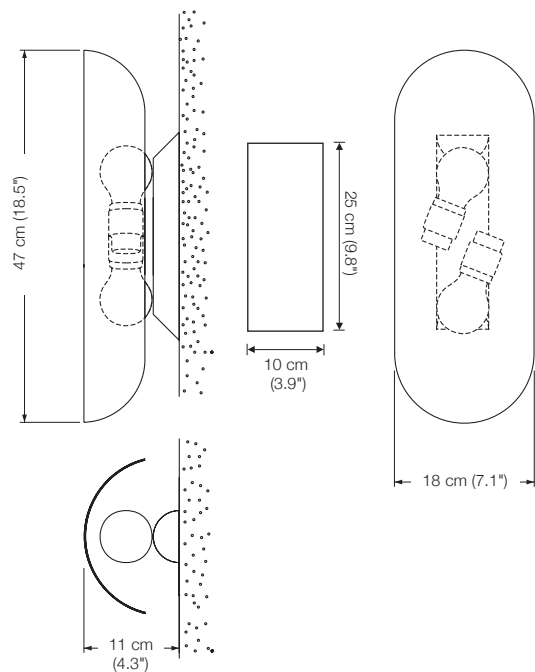
ALIA

Wall lamp, indirect light

Designed by: Florian Schulz

Height: 47 cm (18.5")
 Shade: metal
 Lampholder: 2 x E26, max. 2 x 100 W
 Bulb: 2 x E26 LED á 1055 Lumen, 10,5 W incl., dimmable
 Dimmer: possible via house installation (*standard*)*

ALIA – Ms Solid brass polished, lacquered
 ALIA – Mt Solid brass matt brushed, lacquered
 ALIA – Ni Solid brass, nickel-plated
 ALIA – Nm Solid brass nickel-plated, matt brushed
 ALIA – Cr Solid brass, chrome-plated
 ALIA – Cu Solid brass copper-plated, lacquered
 ALIA – Cm Solid brass copper-plated, matt brushed, lacquered
 ALIA – Br Solid brass bronzed, lacquered
 ALIA – Bd Solid brass dark-bronzed, lacquered



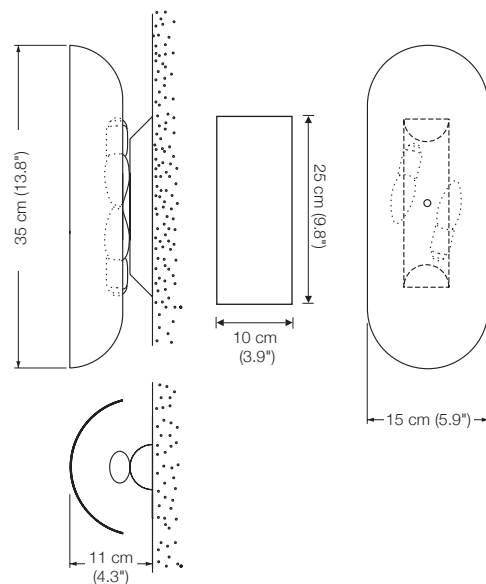
ALEA

Wall lamp, indirect light

Designed by: Florian Schulz + Jens Schump

Height: 35 cm (13.8")
 Shade: metal
 Lampholder: 2 x E12, max. 60W
 Bulb: 2 x E12 LED á 806 Lumen, 2700° K, 8 W incl., dimmable
 Dimmer: possible via house installation (*standard*)*

ALEA – Ms Solid brass polished, lacquered
 ALEA – Mt Solid brass matt brushed, lacquered
 ALEA – Ni Solid brass, nickel-plated
 ALEA – Nm Solid brass nickel-plated, matt brushed
 ALEA – Cr Solid brass, chrome-plated
 ALEA – Cu Solid brass copper-plated, lacquered
 ALEA – Cm Solid brass copper-plated, matt brushed, lacquered
 ALEA – Br Solid brass bronzed, lacquered
 ALEA – Bd Solid brass dark-bronzed, lacquered



Additional USA 110 V conversion kit (ALIA / ALEA) available on request
 110 V bulbs not included

4" junction box: not covered

Backplate rectangular 25 x 10 cm (9.8" x 3.9") standard
 or 25 x 12 cm (9.8" x 4.7") - please indicate with order



ERA 33

Wall lamp

Designed by: Florian Schulz

Width: 33 cm (13")
bottom glass diffuser
Lampholder: 2 x G9, max. 2 x 75 W / 230 V
Bulb: 2 x G9, 60 W incl.

ERA 33 – Ms Solid brass polished, lacquered
ERA 33 – Mt Solid brass matt brushed, lacquered
ERA 33 – Ni Solid brass, nickel-plated
ERA 33 – Nm Solid brass nickel-plated, matt brushed
ERA 33 – Cr Solid brass, chrome-plated
ERA 33 – Cu Solid brass copper-plated, lacquered
ERA 33 – Cm Solid brass copper-plated, matt brushed, lacquered
ERA 33 – Br Solid brass bronzed, lacquered
ERA 33 – Bd Solid brass dark-bronzed, lacquered

Optiona: Additional top glass diffuser

Please indicate with order.

Additional USA 110 V conversion kit available on request

4" junction box: not covered

110 V bulbs not included

ERA 40

Wall lamp

Designed by: Florian Schulz

Width: 40 cm (15.7")
bottom glass diffuser
Lampholder: E26, max. 100 W
Bulb: 1 x E26, 14,5 W incl.

ERA 40 – Ms Solid brass polished, lacquered
ERA 40 – Mt Solid brass matt brushed, lacquered
ERA 40 – Ni Solid brass, nickel-plated
ERA 40 – Nm Solid brass nickel-plated, matt brushed
ERA 40 – Cr Solid brass, chrome-plated
ERA 40 – Cu Solid brass copper-plated, lacquered
ERA 40 – Cm Solid brass copper-plated, matt brushed, lacquered
ERA 40 – Br Solid brass bronzed, lacquered
ERA 40 – Bd Solid brass dark-bronzed, lacquered

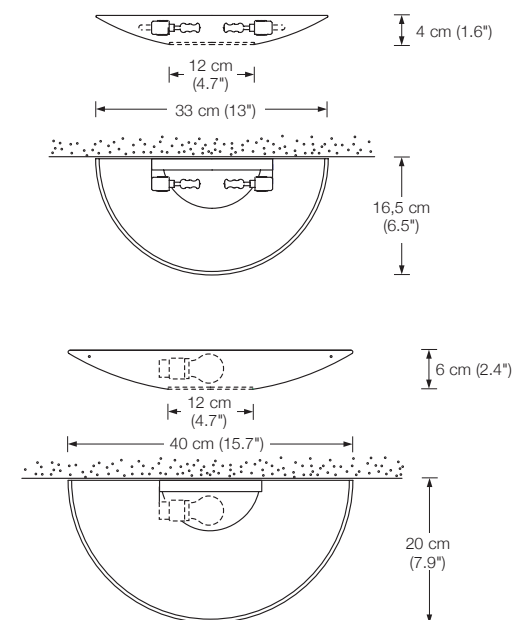
Optiona: Additional top glass diffuser

Please indicate with order.

Additional USA 110 V conversion kit available on request

4" junction box: not covered

110 V bulbs not included



WED

Wall lamp

Designed by: Florian Schulz

Width: 40 cm (15.7")

Lampholder: GU5.3

Bulb: 1 x GU5.3 incl.
approx. 660 Lumen

Color temperature: warmwhite 2700 K

Color rendering: > 90 Ra

WED – Ms Solid brass polished, lacquered

WED – Mt Solid brass matt brushed, lacquered

WED – Ni Solid brass, nickel-plated

WED – Nm Solid brass nickel-plated, matt brushed

WED – Cr Solid brass, chrome-plated

WED – Cu Solid brass copper-plated, lacquered

WED – Cm Solid brass copper-plated, matt brushed, lacquered

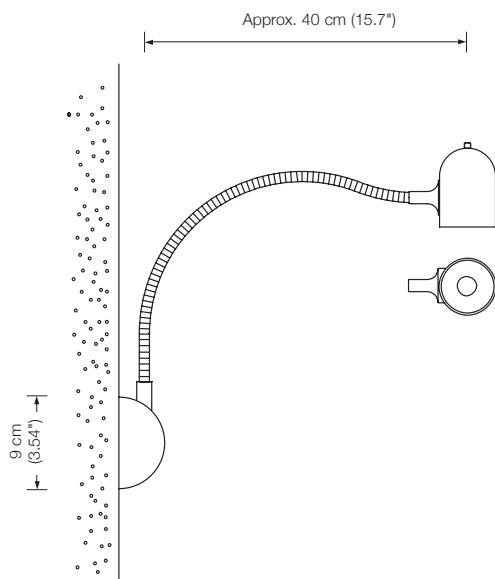
WED – Br Solid brass bronzed, lacquered

WED – Bd Solid brass dark-bronzed, lacquered

Additional USA 110 V conversion kit available on request

4" junction box: not covered

Backplate Ø 12 cm (4.72")



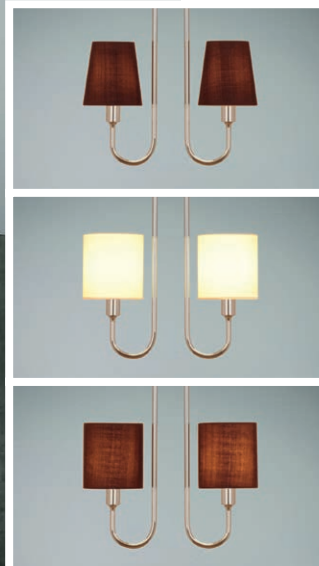
NOSTALGIA-D

Ceiling lamp

Designed by: Jens Schump

Height: ca. 92 cm (36.2")
 Shade*: 2 x Silk
 Colour: white or black
 Shape: conical or straight
 Lampholder: 2 x E26, max. 150 W
 Bulb: 2 x E26 LED á 1055 Lumen,
 7,8 W, 2700 °K, dimmable
 Dimmer: possible via house installation

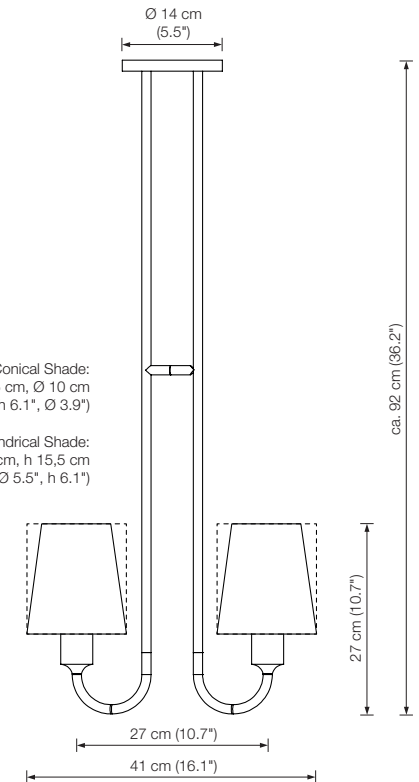
NOSTALGIA-D – Ms Solid brass polished, lacquered
 NOSTALGIA-D – Mt Solid brass matt brushed, lacquered
 NOSTALGIA-D – Ni Solid brass, nickel-plated
 NOSTALGIA-D – Nm Solid brass nickel-plated, matt brushed
 NOSTALGIA-D – Cr Solid brass, chrome-plated
 NOSTALGIA-D – Cu Solid brass copper-plated, lacquered
 NOSTALGIA-D – Cm Solid brass copper-plated, matt brushed, lacquered
 NOSTALGIA-D – Br Solid brass bronzed, lacquered
 NOSTALGIA-D – Bd Solid brass dark-bronzed, lacquered
 Additional USA 110 V conversion kit available on request
 4" junction box: covered



* Please specify the desired shape when ordering.
 Silk according to sample card VS Manufaktur.
With all silk shades, you have the option of sending us your own fabric and we will manufacture your individual shade in our in-house manufactory.
 If the shade is made from a different material:
 Surcharge according to effort.
 Fabric required: 50 x 25 cm (19.7" x 9.8")

Conical Shade:
 Ø 14 cm, h 15,5 cm, Ø 10 cm
 (Ø 5.5", h 6.1", Ø 3.9")

Cylindrical Shade:
 Ø 14 cm, h 15,5 cm
 (Ø 5.5", h 6.1")



EREA 55

Ceiling lamp

Designed by: Florian Schulz

Height: standard 60 cm (23.6")
or on request
(min. 40 cm (15.7") to max. 200 cm (78.7"))
Shade: glass white-opal Ø 55 cm (21.7")
Lampholder: 6 x E12, max. 6 x 60 W
Dimmer: possible via house installation

EREA 55 – Ms Solid brass polished, lacquered
EREA 55 – Mt Solid brass matt brushed, lacquered
EREA 55 – Ni Solid brass, nickel-plated
EREA 55 – Nm Solid brass nickel-plated, matt brushed
EREA 55 – Cr Solid brass, chrome-plated
EREA 55 – Cu Solid brass copper-plated, lacquered
EREA 55 – Cm Solid brass copper-plated, matt brushed, lacquered
EREA 55 – Br Solid brass bronzed, lacquered
EREA 55 – Bd Solid brass dark-bronzed, lacquered

EREA 80

Ceiling lamp

Designed by: Florian Schulz

Height: standard 100 cm (39.4")
or on request
(min. 60 cm (23.6") to max. 200 cm (78.7"))
Shade: glass white-opal Ø 80 cm (31.5")
Lampholder: 6 x E26, max. 6 x 205 W
Dimmer: possible via house installation

EREA 80 – Ms Solid brass polished, lacquered
EREA 80 – Mt Solid brass matt brushed, lacquered
EREA 80 – Ni Solid brass, nickel-plated
EREA 80 – Nm Solid brass nickel-plated, matt brushed
EREA 80 – Cr Solid brass, chrome-plated
EREA 80 – Cu Solid brass copper-plated, lacquered
EREA 80 – Cm Solid brass copper-plated, matt brushed, lacquered
EREA 80 – Br Solid brass bronzed, lacquered
EREA 80 – Bd Solid brass dark-bronzed, lacquered

Additional 110 V conversion kit (EREA 55 / 80) available on request
4" junction box: not covered
Backplate Ø 12 cm (4.72")
110 V bulbs not included





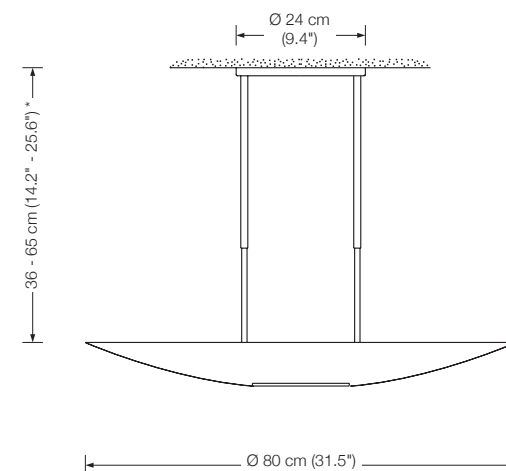
SOLA 80

Ceiling lamp
direct and indirect light
bottom glass diffuser

Designed by: Florian Schulz

Height: 36 - 65 cm (14.2" - 25.6") adjustable
 special length on request
 Shade: metal Ø 80 cm (31.5")
 Lampholder: R7s, max. 500 W
 Bulb: 1 x R7s incl.
 Dimmer: possible via house installation

SOLA 80 – Ms Solid brass polished, lacquered
 SOLA 80 – Mt Solid brass matt brushed, lacquered
 SOLA 80 – Ni Solid brass, nickel-plated
 SOLA 80 – Nm Solid brass nickel-plated, matt brushed
 SOLA 80 – Cr Solid brass, chrome-plated
 SOLA 80 – Cu Solid brass copper-plated, lacquered
 SOLA 80 – Cm Solid brass copper-plated, matt brushed, lacquered
 SOLA 80 – Br Solid brass bronzed, lacquered
 SOLA 80 – Bd Solid brass dark-bronzed, lacquered
 Additional USA 110 V conversion kit available on request
 4" junction box: covered



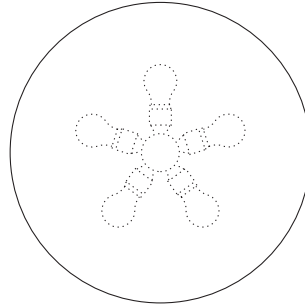
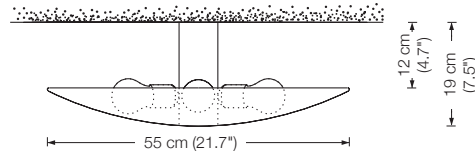
SELA 55

Ceiling lamp, indirect lighting

Designed by: Florian Schulz

Shade: metal Ø 55 cm (21.7")
 Lampholder: 5 x E26, max. 5 x 100 W
 Dimmer: possible via house installation

SELA 55 – Ms Solid brass polished, lacquered
 SELA 55 – Mt Solid brass matt brushed, lacquered
 SELA 55 – Ni Solid brass, nickel-plated
 SELA 55 – Nm Solid brass nickel-plated, matt brushed
 SELA 55 – Cr Solid brass, chrome-plated
 SELA 55 – Cu Solid brass copper-plated, lacquered
 SELA 55 – Cm Solid brass copper-plated, matt brushed, lacquered
 SELA 55 – Br Solid brass bronzed, lacquered
 SELA 55 – Bd Solid brass dark-bronzed, lacquered
 By request: 5 x E26 LED-bulb (75 W)
 Please indicate with order.



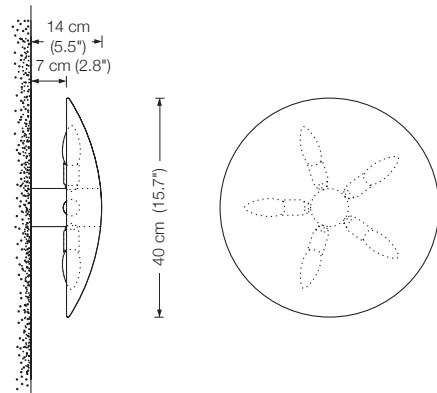
SELA 40

Ceiling lamp, indirect lighting

Designed by: Florian Schulz

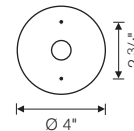
Shade: metal Ø 40 cm (15.7")
 Lampholder: 5 x E12, max. 5 x 60 W
 Dimmer: possible via house installation

SELA 40 – Ms Solid brass polished, lacquered
 SELA 40 – Mt Solid brass matt brushed, lacquered
 SELA 40 – Ni Solid brass, nickel-plated
 SELA 40 – Nm Solid brass nickel-plated, matt brushed
 SELA 40 – Cr Solid brass, chrome-plated
 SELA 40 – Cu Solid brass copper-plated, lacquered
 SELA 40 – Cm Solid brass copper-plated, matt brushed, lacquered
 SELA 40 – Br Solid brass bronzed, lacquered
 SELA 40 – Bd Solid brass dark-bronzed, lacquered
 By request: 5 x E12 LED-bulb (60 W)
 Please indicate with order.



Special length (distance to wall / ceiling) on request.

SELA 40 / 55:
 4" junction box: not covered
 Backplate Ø 12 cm (4.72")
 Additional 110 V conversion kit
 available on request
 110 V bulbs not included





OLA 25

Ceiling lamp

Designed by: Florian Schulz

Height: 14 cm (5.5")

Shade: glass white-opal, Ø 25 cm (9.8")

Lampholder: 2 x E26, max. 2 x 100 W

Bulb: 2 x E26 LED á 1055 Lumen, 10,5 W incl., dimmable
2700° K, 10,5 W \triangleq 75 W

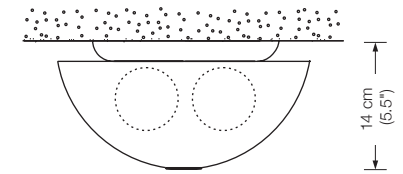
Dimmer: possible via house installation

- OLA 25 – Ms Solid brass polished, lacquered
- OLA 25 – Mt Solid brass matt brushed, lacquered
- OLA 25 – Ni Solid brass, nickel-plated
- OLA 25 – Nm Solid brass nickel-plated, matt brushed
- OLA 25 – Cr Solid brass, chrome-plated
- OLA 25 – Cu Solid brass copper-plated, lacquered
- OLA 25 – Cm Solid brass copper-plated, matt brushed, lacquered
- OLA 25 – Br Solid brass bronzed, lacquered
- OLA 25 – Bd Solid brass dark-bronzed, lacquered

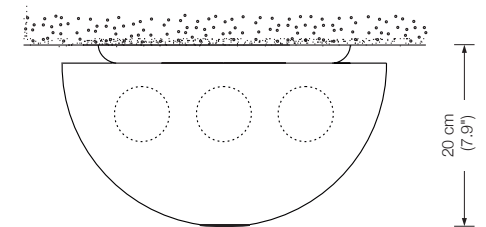
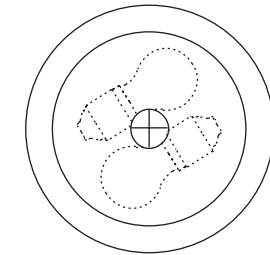
Additional USA 110 V conversion kit available on request

4" junction box: covered

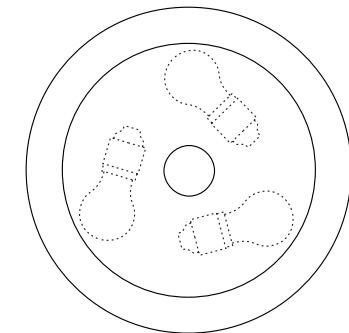
110 V bulbs not included



Ø 25 cm (9.8")



Ø 36 cm (14.2")



OLA 36

Ceiling lamp

Designed by: Florian Schulz

Height: 20 cm (7.9")

Shade: glass white-opal, Ø 36 cm (14.2")

Lampholder: 3 x E26, max. 3 x 100 W

Bulb: 3 x E26 LED á 1055 Lumen, 10,5 W incl., dimmable
2700° K, 10,5 W \triangleq 75 W

Dimmer: possible via house installation

- OLA 36 – Ms Solid brass polished, lacquered
- OLA 36 – Mt Solid brass matt brushed, lacquered
- OLA 36 – Ni Solid brass, nickel-plated
- OLA 36 – Nm Solid brass nickel-plated, matt brushed
- OLA 36 – Cr Solid brass, chrome-plated
- OLA 36 – Cu Solid brass copper-plated, lacquered
- OLA 36 – Cm Solid brass copper-plated, matt brushed, lacquered
- OLA 36 – Br Solid brass bronzed, lacquered
- OLA 36 – Bd Solid brass dark-bronzed, lacquered

Additional USA 110 V conversion kit available on request

4" junction box: covered

110 V bulbs not included



GELA 40

Wall-/ Ceiling lamp

Designed by: Florian Schulz

Shade: glass white-opal Ø 40 cm (15.7")

Lampholder: 5 x E12, max. 5 x 60 W

Dimmer: possible via house installation

GELA 40 – Ms Solid brass polished, lacquered

GELA 40 – Mt Solid brass matt brushed, lacquered

GELA 40 – Ni Solid brass, nickel-plated

GELA 40 – Nm Solid brass nickel-plated, matt brushed

GELA 40 – Cr Solid brass, chrome-plated

GELA 40 – Cu Solid brass copper-plated, lacquered

GELA 40 – Cm Solid brass copper-plated, matt brushed, lacquered

GELA 40 – Br Solid brass bronzed, lacquered

GELA 40 – Bd Solid brass dark-bronzed, lacquered

By request: 5 x E12 LED-bulb (60 W)

Please indicate with order.

GELA 55

Ceiling lamp

Designed by: Florian Schulz

Shade: glass white-opal Ø 55 cm (21.7")

Lampholder: 5 x E26, max. 5 x 100 W

Dimmer: possible via house installation

GELA 55 – Ms Solid brass polished, lacquered

GELA 55 – Mt Solid brass matt brushed, lacquered

GELA 55 – Ni Solid brass, nickel-plated

GELA 55 – Nm Solid brass nickel-plated, matt brushed

GELA 55 – Cr Solid brass, chrome-plated

GELA 55 – Cu Solid brass copper-plated, lacquered

GELA 55 – Cm Solid brass copper-plated, matt brushed, lacquered

GELA 55 – Br Solid brass bronzed, lacquered

GELA 55 – Bd Solid brass dark-bronzed, lacquered

By request: 5 x E26 LED-bulb (75 W)

Please indicate with order.

GELA 80

Ceiling lamp

Designed by: Florian Schulz

Shade: glass white-opal Ø 80 cm (31.5")

Lampholder: 7 x E26, max. 7 x 100 W

Dimmer: possible via house installation

GELA 80 – Ms Solid brass polished, lacquered

GELA 80 – Mt Solid brass matt brushed, lacquered

GELA 80 – Ni Solid brass, nickel-plated

GELA 80 – Nm Solid brass nickel-plated, matt brushed

GELA 80 – Cr Solid brass, chrome-plated

GELA 80 – Cu Solid brass copper-plated, lacquered

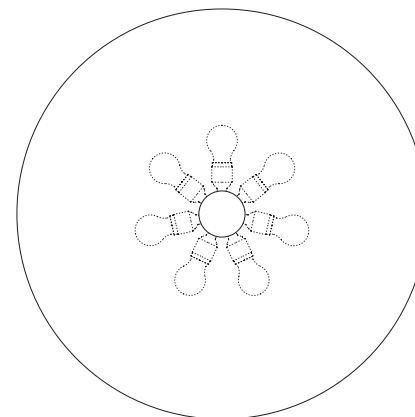
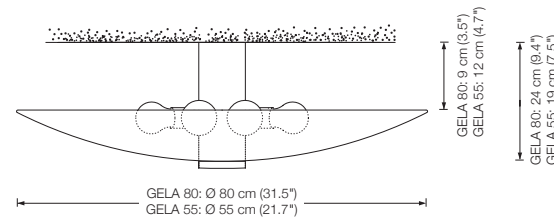
GELA 80 – Cm Solid brass copper-plated, matt brushed, lacquered

GELA 80 – Br Solid brass bronzed, lacquered

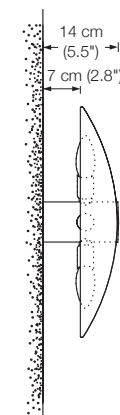
GELA 80 – Bd Solid brass dark-bronzed, lacquered

By request: 7 x E26 LED-bulb (75 W)

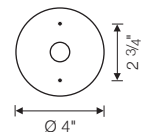
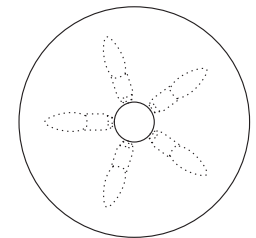
Please indicate with order.



GELA 40



40 cm (15.7")



Special length (distance to wall / ceiling) on request.

GELA 40 / 55 / 80: 4" junction box: not covered
Backplate Ø 12 cm (4.72")
Additional 110 V conversion kit available on request
110 V bulbs not included



DUOS 36 P – Pendant Pendant lamp

Canopy: Ø 12 cm (4.7")
 Shade: metal Ø 36 cm (14.2")
 Lampholder: E26, max. 100 W

DUOS 36 P – Ms Solid brass polished, lacquered
 DUOS 36 P – Mt Solid brass matt brushed, lacquered
 DUOS 36 P – Ni Solid brass, nickel-plated
 DUOS 36 P – Nm Solid brass nickel-plated, matt brushed
 DUOS 36 P – Cr Solid brass, chrome-plated
 DUOS 36 P – Cu Solid brass copper-plated, lacquered
 DUOS 36 P – Cm Solid brass copper-plated, matt brushed, lacquered
 DUOS 36 P – Br Solid brass bronzed, lacquered
 DUOS 36 P – Bd Solid brass dark-bronzed, lacquered
 Additional USA 110 V conversion kit available on request
 4" junction box: covered
 110 V bulbs not included



DUOS 36 M – Center pull Adjustable pendant lamp

Canopy: Ø 9 cm (3.5")
 Shade: metal Ø 36 cm (14.2")
 Lampholder: E26, max. 100 W

DUOS 36 M – Ms Solid brass polished, lacquered
 DUOS 36 M – Mt Solid brass matt brushed, lacquered
 DUOS 36 M – Ni Solid brass, nickel-plated
 DUOS 36 M – Nm Solid brass nickel-plated, matt brushed
 DUOS 36 M – Cr Solid brass, chrome-plated
 DUOS 36 M – Cu Solid brass copper-plated, lacquered
 DUOS 36 M – Cm Solid brass copper-plated, matt brushed, lacquered
 DUOS 36 M – Br Solid brass bronzed, lacquered
 DUOS 36 M – Bd Solid brass dark-bronzed, lacquered
 Additional USA 110 V conversion kit available on request
 4" junction box: covered by US canopy Ø 12 cm (4.7")
 110 V bulbs not included



DUOS 36 S – Side pull Adjustable pendant lamp

Canopy: Ø 7 cm (2.8")
 Shade: metal Ø 36 cm (14.2")
 Lampholder: E26, max. 100 W

DUOS 36 S – Ms Solid brass polished, lacquered
 DUOS 36 S – Mt Solid brass matt brushed, lacquered
 DUOS 36 S – Ni Solid brass, nickel-plated
 DUOS 36 S – Nm Solid brass nickel-plated, matt brushed
 DUOS 36 S – Cr Solid brass, chrome-plated
 DUOS 36 S – Cu Solid brass copper-plated, lacquered
 DUOS 36 S – Cm Solid brass copper-plated, matt brushed, lacquered
 DUOS 36 S – Br Solid brass bronzed, lacquered
 DUOS 36 S – Bd Solid brass dark-bronzed, lacquered
 Additional USA 110 V conversion kit available on request
 4" junction box: covered by US canopy Ø 12 cm (4.7")
 110 V bulbs not included



DUOS 36 R – Straight pull ceiling mounted

Adjustable pendant lamp

Shade: metal Ø 36 cm (14.2")

Lampholder: E26, max. 100 W

- DUOS 36 R – Ms Solid brass polished, lacquered
- DUOS 36 R – Mt Solid brass matt brushed, lacquered
- DUOS 36 R – Ni Solid brass, nickel-plated
- DUOS 36 R – Nm Solid brass nickel-plated, matt brushed
- DUOS 36 R – Cr Solid brass, chrome-plated
- DUOS 36 R – Cu Solid brass copper-plated, lacquered
- DUOS 36 R – Cm Solid brass copper-plated, matt brushed, lacquered
- DUOS 36 R – Br Solid brass bronzed, lacquered
- DUOS 36 R – Bd Solid brass dark-bronzed, lacquered

Additional USA 110 V conversion kit available on request

4" junction box: not necessary

110 V bulbs not included



DUOS 36 D – Double pull Adjustable pendant lamp

Canopy: Ø 7 cm (2.8")

Shade: metal Ø 36 cm (14.2")

Lampholder: 2 x E26, max. 2 x 100 W

- DUOS 36 D – Ms Solid brass polished, lacquered
- DUOS 36 D – Mt Solid brass matt brushed, lacquered
- DUOS 36 D – Ni Solid brass, nickel-plated
- DUOS 36 D – Nm Solid brass nickel-plated, matt brushed
- DUOS 36 D – Cr Solid brass, chrome-plated
- DUOS 36 D – Cu Solid brass copper-plated, lacquered
- DUOS 36 D – Cm Solid brass copper-plated, matt brushed, lacquered
- DUOS 36 D – Br Solid brass bronzed, lacquered
- DUOS 36 D – Bd Solid brass dark-bronzed, lacquered

Additional USA 110 V conversion kit available on request

4" junction box: covered by US canopy Ø 12 cm (4.7")

110 V bulbs not included



Designed by: Florian Schulz + Jens Schump

Textile cable black.

On request: white, brown, gold, silver.





POSA 36 P – Pendant Pendant lamp

Canopy: Ø 12 cm (4.7")
 Shade: glass white-opal, Ø 36 cm (14.2")
 Lampholder: E26, max. 100 W

- POSA 36 P – Ms Solid brass polished, lacquered
- POSA 36 P – Mt Solid brass matt brushed, lacquered
- POSA 36 P – Ni Solid brass, nickel-plated
- POSA 36 P – Nm Solid brass nickel-plated, matt brushed
- POSA 36 P – Cr Solid brass, chrome-plated
- POSA 36 P – Cu Solid brass copper-plated, lacquered
- POSA 36 P – Cm Solid brass copper-plated, matt brushed, lacquered
- POSA 36 P – Br Solid brass bronzed, lacquered
- POSA 36 P – Bd Solid brass dark-bronzed, lacquered

Additional USA 110 V conversion kit available on request
 4" junction box: covered
 110 V bulbs not included



POSA 36 M – Center pull Adjustable pendant lamp

Canopy: Ø 9 cm (3.5")
 Shade: glass white-opal, Ø 36 cm (14.2")
 Lampholder: E26, max. 100 W

- POSA 36 M – Ms Solid brass polished, lacquered
- POSA 36 M – Mt Solid brass matt brushed, lacquered
- POSA 36 M – Ni Solid brass, nickel-plated
- POSA 36 M – Nm Solid brass nickel-plated, matt brushed
- POSA 36 M – Cr Solid brass, chrome-plated
- POSA 36 M – Cu Solid brass copper-plated, lacquered
- POSA 36 M – Cm Solid brass copper-plated, matt brushed, lacquered
- POSA 36 M – Br Solid brass bronzed, lacquered
- POSA 36 M – Bd Solid brass dark-bronzed, lacquered

Additional USA 110 V conversion kit available on request
 4" junction box: covered by US canopy Ø 12 cm (4.7")
 110 V bulbs not included



POSA 36 S – Side pull Adjustable pendant lamp

Canopy: Ø 7 cm (2.8")
 Shade: glass white-opal, Ø 36 cm (14.2")
 Lampholder: E26, max. 100 W

- POSA 36 S – Ms Solid brass polished, lacquered
- POSA 36 S – Mt Solid brass matt brushed, lacquered
- POSA 36 S – Ni Solid brass, nickel-plated
- POSA 36 S – Nm Solid brass nickel-plated, matt brushed
- POSA 36 S – Cr Solid brass, chrome-plated
- POSA 36 S – Cu Solid brass copper-plated, lacquered
- POSA 36 S – Cm Solid brass copper-plated, matt brushed, lacquered
- POSA 36 S – Br Solid brass bronzed, lacquered
- POSA 36 S – Bd Solid brass dark-bronzed, lacquered

Additional USA 110 V conversion kit available on request
 4" junction box: covered by US canopy Ø 12 cm (4.7")
 110 V bulbs not included



POSA 36 R – Straight pull ceiling mounted

Adjustable pendant lamp

Shade: glass white-opal, Ø 36 cm (14.2")

Lampholder: E26, max. 100 W

- POSA 36 R – Ms Solid brass polished, lacquered
- POSA 36 R – Mt Solid brass matt brushed, lacquered
- POSA 36 R – N Solid brass, nickel-plated
- POSA 36 R – Nm Solid brass nickel-plated, matt brushed
- POSA 36 R – Cr Solid brass, chrome-plated
- POSA 36 R – Cu Solid brass copper-plated, lacquered
- POSA 36 R – Cm Solid brass copper-plated, matt brushed, lacquered
- POSA 36 R – Br Solid brass bronzed, lacquered
- POSA 36 R – Bd Solid brass dark-bronzed, lacquered

Additional USA 110 V conversion kit available on request

4" junction box: not necessary

110 V bulbs not included



POSA 36 D – Double pull Adjustable pendant lamp

Canopy: Ø 7 cm (2.8")

Shade: glass white-opal, Ø 36 cm (14.2")

Lampholder: 2 x E26, max. 2 x 100 W

- POSA 36 D – Ms Solid brass polished, lacquered
- POSA 36 D – Mt Solid brass matt brushed, lacquered
- POSA 36 D – Ni Solid brass, nickel-plated
- POSA 36 D – Nm Solid brass nickel-plated, matt brushed
- POSA 36 D – Cr Solid brass, chrome-plated
- POSA 36 D – Cu Solid brass copper-plated, lacquered
- POSA 36 D – Cm Solid brass copper-plated, matt brushed, lacquered
- POSA 36 D – Br Solid brass bronzed, lacquered
- POSA 36 D – Bd Solid brass dark-bronzed, lacquered

Additional USA 110 V conversion kit available on request

4" junction box: covered by US canopy Ø 12 cm (4.7")

110 V bulbs not included



Designed by: Florian Schulz

Textile cable black.

On request: white, brown, gold, silver.

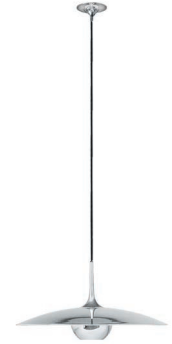




ONOS 55 P – Pendant **Pendant lamp**

Canopy: Ø 12 cm (4.7")
 Shade: metal Ø 55 cm (21.7"), metal light diffuser
 Lampholder: E26, max. 100 W

ONOS 55 P – Ms Solid brass polished, lacquered
 ONOS 55 P – Mt Solid brass matt brushed, lacquered
 ONOS 55 P – Ni Solid brass, nickel-plated
 ONOS 55 P – Nm Solid brass nickel-plated, matt brushed
 ONOS 55 P – Cr Solid brass, chrome-plated
 ONOS 55 P – Cu Solid brass copper-plated, lacquered
 ONOS 55 P – Cm Solid brass copper-plated, matt brushed, lacquered
 ONOS 55 P – Br Solid brass bronzed, lacquered
 ONOS 55 P – Bd Solid brass dark-bronzed, lacquered
 Additional USA 110 V conversion kit available on request
 4" junction box: covered
 110 V bulbs not included



ONOS 55 M – Center pull **Adjustable pendant lamp**

Canopy: Ø 9 cm (3.5")
 Shade: metal Ø 55 cm (21.7"), metal light diffuser
 Lampholder: E26, max. 100 W

ONOS 55 M – Ms Solid brass polished, lacquered
 ONOS 55 M – Mt Solid brass matt brushed, lacquered
 ONOS 55 M – Ni Solid brass, nickel-plated
 ONOS 55 M – Nm Solid brass nickel-plated, matt brushed
 ONOS 55 M – Cr Solid brass, chrome-plated
 ONOS 55 M – Cu Solid brass copper-plated, lacquered
 ONOS 55 M – Cm Solid brass copper-plated, matt brushed, lacquered
 ONOS 55 M – Br Solid brass bronzed, lacquered
 ONOS 55 M – Bd Solid brass dark-bronzed, lacquered
 Additional USA 110 V conversion kit available on request
 4" junction box: covered by US canopy Ø 12 cm (4.7")
 110 V bulbs not included



ONOS 55 S – Side pull **Adjustable pendant lamp**

Canopy: Ø 7 cm (2.8")
 Shade: metal Ø 55 cm (21.7"), metal light diffuser
 Lampholder: E26, max. 100 W

ONOS 55 S – Ms Solid brass polished, lacquered
 ONOS 55 S – Mt Solid brass matt brushed, lacquered
 ONOS 55 S – Ni Solid brass, nickel-plated
 ONOS 55 S – Nm Solid brass nickel-plated, matt brushed
 ONOS 55 S – Cr Solid brass, chrome-plated
 ONOS 55 S – Cu Solid brass copper-plated, lacquered
 ONOS 55 S – Cm Solid brass copper-plated, matt brushed, lacquered
 ONOS 55 S – Br Solid brass bronzed, lacquered
 ONOS 55 S – Bd Solid brass dark-bronzed, lacquered
 Additional USA 110 V conversion kit available on request
 4" junction box: covered by US canopy Ø 12 cm (4.7")
 110 V bulbs not included



ONOS 55 R – Straight pull ceiling mounted

Adjustable pendant lamp

Shade: metal Ø 55 cm (21.7"), metal light diffuser
Lampholder: E26, max. 100 W

ONOS 55 R – Ms Solid brass polished, lacquered
ONOS 55 R – Mt Solid brass matt brushed, lacquered
ONOS 55 R – Ni Solid brass, nickel-plated
ONOS 55 R – Nm Solid brass nickel-plated, matt brushed
ONOS 55 R – Cr Solid brass, chrome-plated
ONOS 55 R – Cu Solid brass copper-plated, lacquered
ONOS 55 R – Cm Solid brass copper-plated, matt brushed, lacquered
ONOS 55 R – Br Solid brass bronzed, lacquered
ONOS 55 R – Bd Solid brass dark-bronzed, lacquered

Additional USA 110 V conversion kit available on request
4" junction box: not necessary
110 V bulbs not included



ONOS 55 D – Double pull Adjustable pendant lamp

Canopy: Ø 7 cm (2.8")
Shade: metal Ø 55 cm (21.7"), metal light diffuser
Lampholder: 2 x E26, max. 2 x 100 W

ONOS 55 D – Ms Solid brass polished, lacquered
ONOS 55 D – Mt Solid brass matt brushed, lacquered
ONOS 55 D – Ni Solid brass, nickel-plated
ONOS 55 D – Nm Solid brass nickel-plated, matt brushed
ONOS 55 D – Cr Solid brass, chrome-plated
ONOS 55 D – Cu Solid brass copper-plated, lacquered
ONOS 55 D – Cm Solid brass copper-plated, matt brushed, lacquered
ONOS 55 D – Br Solid brass bronzed, lacquered
ONOS 55 D – Bd Solid brass dark-bronzed, lacquered

Additional USA 110 V conversion kit available on request
4" junction box: covered by US canopy Ø 12 cm (4.7")
110 V bulbs not included



Designed by: Florian Schulz
Textile cable black.
On request: white, brown, gold, silver.





ONOS 40 P – Pendant **Pendant lamp**

Canopy: Ø 12 cm (4.7")
 Shade: metal Ø 40 cm (15.7"), metal light diffuser
 Lampholder: E26, max. 100 W

ONOS 40 P – Ms Solid brass polished, lacquered
 ONOS 40 P – Mt Solid brass matt brushed, lacquered
 ONOS 40 P – Ni Solid brass, nickel-plated
 ONOS 40 P – Nm Solid brass nickel-plated, matt brushed
 ONOS 40 P – Cr Solid brass, chrome-plated
 ONOS 40 P – Cu Solid brass copper-plated, lacquered
 ONOS 40 P – Cm Solid brass copper-plated, matt brushed, lacquered
 ONOS 40 P – Br Solid brass bronzed, lacquered
 ONOS 40 P – Bd Solid brass dark-bronzed, lacquered
 Additional USA 110 V conversion kit available on request
 4" junction box: covered
 110 V bulbs not included



ONOS 40 M – Center pull **Adjustable pendant lamp**

Canopy: Ø 9 cm (3.5")
 Shade: metal Ø 40 cm (15.7"), metal light diffuser
 Lampholder: E26, max. 100 W

ONOS 40 M – Ms Solid brass polished, lacquered
 ONOS 40 M – Mt Solid brass matt brushed, lacquered
 ONOS 40 M – Ni Solid brass, nickel-plated
 ONOS 40 M – Nm Solid brass nickel-plated, matt brushed
 ONOS 40 M – Cr Solid brass, chrome-plated
 ONOS 40 M – Cu Solid brass copper-plated, lacquered
 ONOS 40 M – Cm Solid brass copper-plated, matt brushed, lacquered
 ONOS 40 M – Br Solid brass bronzed, lacquered
 ONOS 40 M – Bd Solid brass dark-bronzed, lacquered
 Additional USA 110 V conversion kit available on request
 4" junction box: covered by US canopy Ø 12 cm (4.7")
 110 V bulbs not included



ONOS 40 S – Side pull **Adjustable pendant lamp**

Canopy: Ø 7 cm (2.8")
 Shade: metal Ø 40 cm (15.7"), metal light diffuser
 Lampholder: E26, max. 100 W

ONOS 40 S – Ms Solid brass polished, lacquered
 ONOS 40 S – Mt Solid brass matt brushed, lacquered
 ONOS 40 S – Ni Solid brass, nickel-plated
 ONOS 40 S – Nm Solid brass nickel-plated, matt brushed
 ONOS 40 S – Cr Solid brass, chrome-plated
 ONOS 40 S – Cu Solid brass copper-plated, lacquered
 ONOS 40 S – Cm Solid brass copper-plated, matt brushed, lacquered
 ONOS 40 S – Br Solid brass bronzed, lacquered
 ONOS 40 S – Bd Solid brass dark-bronzed, lacquered
 Additional USA 110 V conversion kit available on request
 4" junction box: covered by US canopy Ø 12 cm (4.7")
 110 V bulbs not included



ONOS 40 R – Straight pull ceiling mounted

Adjustable pendant lamp

Shade: metal Ø 40 cm (15.7"), metal light diffuser
Lampholder: E26, max. 100 W

ONOS 40 R – Ms Solid brass polished, lacquered
ONOS 40 R – Mt Solid brass matt brushed, lacquered
ONOS 40 R – Ni Solid brass, nickel-plated
ONOS 40 R – Nm Solid brass nickel-plated, matt brushed
ONOS 40 R – Cr Solid brass, chrome-plated
ONOS 40 R – Cu Solid brass copper-plated, lacquered
ONOS 40 R – Cm Solid brass copper-plated, matt brushed, lacquered
ONOS 40 R – Br Solid brass bronzed, lacquered
ONOS 40 R – Bd Solid brass dark-bronzed, lacquered

Additional USA 110 V conversion kit available on request
4" junction box: not necessary
110 V bulbs not included

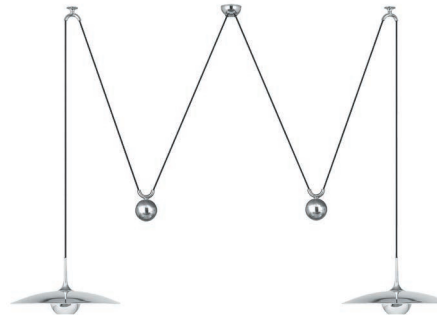


ONOS 40 D – Double pull Adjustable pendant lamp

Canopy: Ø 7 cm (2.8")
Shade: metal Ø 40 cm (15.7"), metal light diffuser
Lampholder: 2 x E26, max. 2 x 100 W

ONOS 40 D – Ms Solid brass polished, lacquered
ONOS 40 D – Mt Solid brass matt brushed, lacquered
ONOS 40 D – Ni Solid brass, nickel-plated
ONOS 40 D – Nm Solid brass nickel-plated, matt brushed
ONOS 40 D – Cr Solid brass, chrome-plated
ONOS 40 D – Cu Solid brass copper-plated, lacquered
ONOS 40 D – Cm Solid brass copper-plated, matt brushed, lacquered
ONOS 40 D – Br Solid brass bronzed, lacquered
ONOS 40 D – Bd Solid brass dark-bronzed, lacquered

Additional USA 110 V conversion kit available on request
4" junction box: covered by US canopy Ø 12 cm (4.7")
110 V bulbs not included



Designed by: Florian Schulz
Textile cable black.
On request: white, brown, gold, silver.





P80-1

Pendant lamp, height adjustable

Designed by: Jens Schump

Height: from 65 cm (25.6") – 135 cm (53.15") (standard)*
 Canopy: Ø 6 cm (2.36")
 Shade: Ø 8 cm (3.15"), 16,5 cm (6.5") high
 Bulb: 1 x LED (20 Watt) incl., 2000 Lumen
 Color temperature: Dim-to-Warm from 3100° – 1850 °K
 Color rendering: > 90 Ra
 Dimmer: 110 Volt/USA: not dimmable

P80-1 – Ms Solid brass polished, lacquered
 P80-1 – Mt Solid brass matt brushed, lacquered
 P80-1 – Ni Solid brass, nickel-plated
 P80-1 – Nm Solid brass nickel-plated, matt brushed
 P80-1 – Cr Solid brass, chrome-plated
 P80-1 – Cu Solid brass copper-plated, lacquered
 P80-1 – Cm Solid brass copper-plated, matt brushed, lacquered
 P80-1 – Br Solid brass bronzed, lacquered
 P80-1 – Bd Solid brass dark-bronzed, lacquered

P80-3

Triple pendant lamp, individually height-adjustable

Designed by: Jens Schump

Height: 3 x from 65 cm (25.6") – 135 cm (53.15") (standard)*
 Canopy: 132 cm (51.97") long, 8 cm (3.15") wide, 4 cm (1.57") high
 Shade: 3 x Ø 8 cm (3.15"), 16,5 cm (6.5") high
 Bulb: 3 x LED (3 x 20 Watt) incl., 6000 Lumen
 Color temperature: Dim-to-Warm from 3100° – 1850 °K
 Color rendering: > 90 Ra
 Dimmer: 110 Volt/USA: not dimmable

P80-3 – Ms Solid brass polished, lacquered
 P80-3 – Mt Solid brass matt brushed, lacquered
 P80-3 – Ni Solid brass, nickel-plated
 P80-3 – Nm Solid brass nickel-plated, matt brushed
 P80-3 – Cr Solid brass, chrome-plated
 P80-3 – Cu Solid brass copper-plated, lacquered
 P80-3 – Cm Solid brass copper-plated, matt brushed, lacquered
 P80-3 – Br Solid brass bronzed, lacquered
 P80-3 – Bd Solid brass dark-bronzed, lacquered



* Other suspension heights on request.

Additional USA 110 V conversion kit available on request
 4" junction box: covered





PEN 100

**Pendant lamp, adjustable height
both light elements can be rotated (360°)**

Designed by: Florian Schulz

Length: 100 cm (39.4")
Canopy: 20 x 20 x 5 cm (7.9" x 7.9" x 2.0")
Shade: Ø 2,1 cm (0.8")
Height: 80 to 140 cm (31.5" to 55.1") adjustable (*standard*)*
Bulb: 2 x LED 150 (approx. 12 watts in total) incl.
exchangeable, approx. 1200 Lumen
Color temperature: warmwhite 2700 K
Color rendering: > 90 Ra
Dimmer: possible via house installation

PEN 100 – Ms Solid brass polished, lacquered
PEN 100 – Mt Solid brass matt brushed, lacquered
PEN 100 – Ni Solid brass, nickel-plated
PEN 100 – Nm Solid brass nickel-plated, matt brushed
PEN 100 – Cr Solid brass, chrome-plated
PEN 100 – Cu Solid brass copper-plated, lacquered
PEN 100 – Cm Solid brass copper-plated, matt brushed, lacquered
PEN 100 – Br Solid brass bronzed, lacquered
PEN 100 – Bd Solid brass dark-bronzed, lacquered
Additional USA 110 V conversion kit available on request
4" junction box: covered

PEN 100 / 121 / 142:

* Other possible suspensions (*Please indicate with order*):

Overall height 105 – 200 cm (41.3" – 78.7")

Overall height 130 – 250 cm (51.2" – 98.4")

Other pendulum lengths possible on request.

PEN 121

Pendant lamp, adjustable height, outer light elements can be rotated (360°)

Designed by: Florian Schulz

Length: 121 cm (47.6")
Canopy: 46,5 x 5 x 5 cm (18.3" x 2.0" x 2.0")
Shade: Ø 2,1 cm (0.8")
Height: 80 to 140 cm (31.5" to 55.1") adjustable (*standard*)*
Bulb: 3 x LED 150 (approx. 24 watts in total) incl.
exchangeable, approx. 2200 Lumen

Color temperature: warmwhite 2700 K

Color rendering: > 90 Ra

Dimmer: possible via house installation

PEN 121 – Ms Solid brass polished, lacquered
PEN 121 – Mt Solid brass matt brushed, lacquered
PEN 121 – Ni Solid brass, nickel-plated
PEN 121 – Nm Solid brass nickel-plated, matt brushed
PEN 121 – Cr Solid brass, chrome-plated
PEN 121 – Cu Solid brass copper-plated, lacquered
PEN 121 – Cm Solid brass copper-plated, matt brushed, lacquered
PEN 121 – Br Solid brass bronzed, lacquered
PEN 121 – Bd Solid brass dark-bronzed, lacquered

PEN 142

Pendant lamp, adjustable height, all light elements can be rotated (360°)

Designed by: Florian Schulz

Length: 142 cm (55.9")
Canopy: 53 x 5 x 5 cm (20.9" x 2.0" x 2.0")
Shade: Ø 2,1 cm (0.8")
Height: 80 to 140 cm (31.5" to 55.1") adjustable (*standard*)*
Bulb: 3 x LED 150 (approx. 24 watts in total) incl.
exchangeable, approx. 2200 Lumen

Color temperature: warmwhite 2700 K

Color rendering: > 90 Ra

Dimmer: possible via house installation

PEN 142 – Ms Solid brass polished, lacquered
PEN 142 – Mt Solid brass matt brushed, lacquered
PEN 142 – Ni Solid brass, nickel-plated
PEN 142 – Nm Solid brass nickel-plated, matt brushed
PEN 142 – Cr Solid brass, chrome-plated
PEN 142 – Cu Solid brass copper-plated, lacquered
PEN 142 – Cm Solid brass copper-plated, matt brushed, lacquered
PEN 142 – Br Solid brass bronzed, lacquered
PEN 142 – Bd Solid brass dark-bronzed, lacquered

PEN 121 / 142:

Additional USA 110 V conversion kit available on request
including a rectangular backplate of 51 x 12 cm (20.1" x 4.7")

4" junction box: not covered





VS Manufaktur
Wahlwiesenstr. 1
71711 Steinheim an der Murr
Germany
Tel. +49 (0)7144 889 110 5
Fax +49 (0)7144 889 110 7

www.vs-manufaktur.de
info@vs-manufaktur.de

All rights reserved.
Specifications and design subject to change without notice.