

VS manufaktur
licht + objekt

Collection 2024

Modern, timeless classics
of the VS Manufaktur & the
Florian Schulz Collection.

**Introducing our new
series BULLEYE.**





IN OUR HOUSE WE PRODUCE 2 LIGHTING COLLECTIONS.

The light fixtures of the **VS Manufaktur collection** display a combination of timeless, classic design and modern technical factors – including longevity, quality and stable value.

The classics of the well-known **Florian Schulz models** will continue to be manufactured in the usual quality and the design will remain the same. Technology and operation have been partially modernized.

WE LIVE SUSTAINABILITY EVERY DAY

- Since we produce everything ourselves, we don't send anything out
 - It couldn't be more sustainable.
- Brass offcuts and chips are processed and reused.
- Our Zapon varnish consists almost exclusively of natural ingredients.
- Every lamp can be refurbished/reworked - not a throwaway product.
- Local partner: powder coating and milling cutters.
- We reuse usable cardboard boxes.
- Recycling of waste materials for cleaning the painted products:
 - The wash-out agent (*contaminated washing thinner*) is returned and reprocessed.
- Broken cardboard boxes are shredded and used as filling material.
- Plastic is avoided wherever possible.



Collection 2024

With immediate effect, only the models specified in this list are available.
The technical data in this price list shall apply exclusively.

Alphabetical index

	Page		Page
ALEA.....	51	LESAN S.....	31
ALIA.....	51	LIN.....	29
BEO.....	52	LONEA.....	16
BLOC.....	55	LONEA SD.....	16
BulIEYE-DW.....	8 – 9	LOT.....	17
BulIEYE-S.....	22 – 23	MESA.....	14
BulIEYE-T.....	34 – 35	MYOS.....	18
CERVANTES.....	33	MYOS T.....	19
DROP.....	24	NOSTALGIA-D.....	56
DUOS 36.....	62 – 63	NOSTALGIA-S.....	25
ELAS.....	43	NOSTALGIA-T.....	36
ELAS S.....	43	NOSTALGIA-W.....	47
ERA.....	54	OLA.....	60
EREA.....	57	ONE 58.....	10
ESA.....	42	ONE 80.....	11
GEA.....	50	ONOS 40.....	68 – 69
GELA.....	61	ONOS 55.....	66 – 67
GO 30.....	28	ORA.....	40
INAS.....	30	OVA.....	12
INAS SD.....	30	OVETTE.....	13
LESAN M.....	31	P80.....	70 – 71

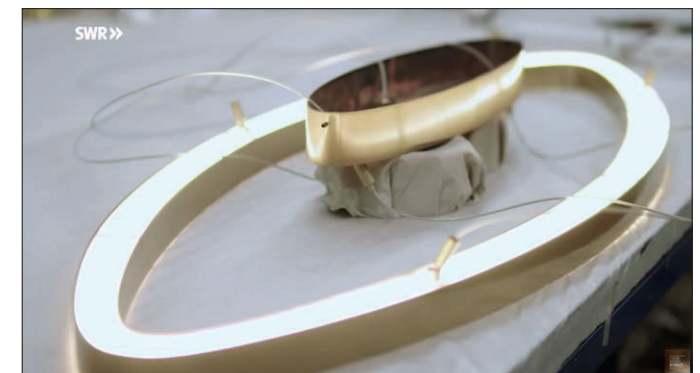
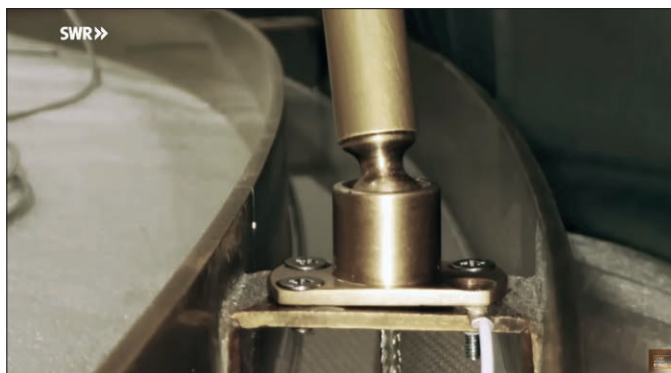
	Page
PEN.....	72 – 73
PIN d.....	27
PIN T.....	45
PIN W dim.....	48
POSA 36.....	64 – 65
SELA.....	59
SOLA 80.....	58
STE.....	26
TAOS.....	20
TAOS SD.....	21
TAU.....	38
TES.....	44
TOA.....	37
TOLED.....	46
TOPAN.....	39
VAO.....	49
VAYO.....	15
WED.....	53
YON.....	32
YON G.....	32
YON T.....	41

Collection

	Page
Spot:.....	8 – 9
Chandeliers:.....	10 – 14
Floorlamps:.....	15 – 21
Floor Reading Lamps:.....	22 – 33
Table Lamps:.....	34 – 46
Wall Lamps:.....	47 – 55
Ceiling Lamps:.....	56 – 61
Adjustable Pendant Lamps:.....	62 – 69
Pendant Lamps:.....	70 – 73

German Film contribution - the motto was: “Craftsmanship: how to build a handmade lamp”.

In the summer we had a German Film Team (SWR) visit us. More on this at:
our website · the SWR media library · YouTube · our Instagram channel



Unfortunately the video is in German. But in your settings you can show the subtitles and have them automatically translated into your language.

**Design meets here with functionality,
usefulness and competent craftsmanship.**

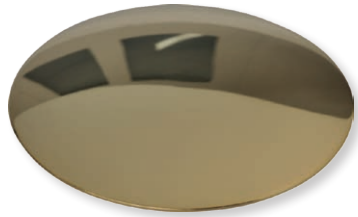
CRAFTSMANSHIP – MADE IN GERMANY.

Our lights are produced by hand in the Swabian manufactory, with a selected 10 person team of experienced craftsmen.



Every light is almost a uniquely handcrafted product and designed for longevity.

Finishes



MS – Solid brass polished, lacquered
Sonderoberfläche:

Mp – Solid brass polished, unlacquered



Mt – Solid brass matt brushed, lacquered

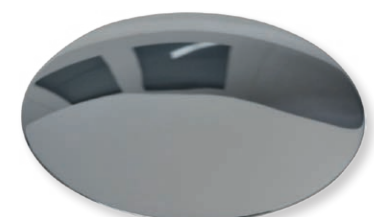


Ni – Solid brass, nickel-plated, unlackiert
Sonderoberfläche:

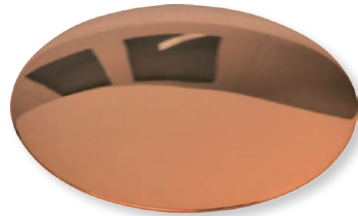
Ni-lack – Solid brass, nickel-plated,
lacquered



Nm – Solid brass nickel-plated, matt brushed



Cr – Solid brass, chrome-plated



CU – Solid brass copper-plated,
lacquered



Cm – Solid brass copper-plated,
matt brushed, lacquered



Br – Solid brass bronzed, lacquered



Bd – Solid brass dark-bronzed, lacquered



On request, we paint every
lamp according to the
RAL card.

Note:

The special surfaces „Mp – Solid brass polished, unlacquered“ and „Ni-lack – Solid brass, nickel-plated, lacquered“ visually look the same, such as „Ms – Solid brass polished, lacquered“ and „Ni – Solid brass, nickel-plated“.

Refurbishment & special finishes

If your lamp no longer appears in its usual shine, it is possible to have it refurbished by us.

Restorations in the event of damage are also possible.

When refinishing, you can decide again whether the old surface should be restored or whether you would like a new surface or a paint finish according to the RAL card.

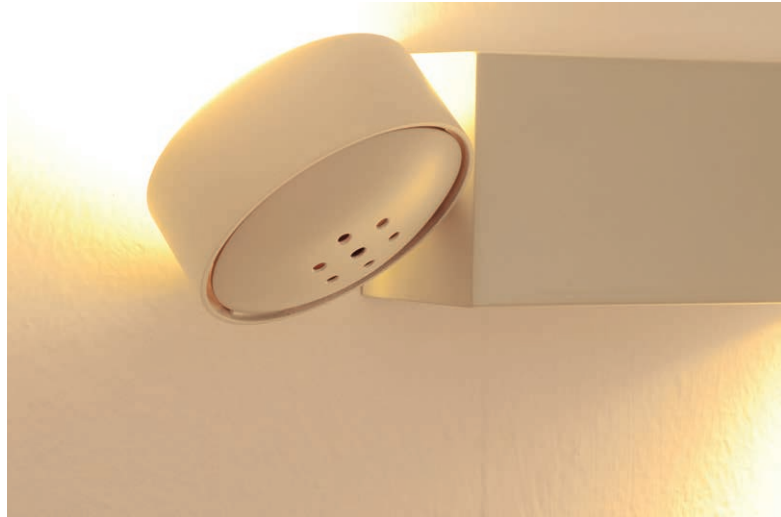
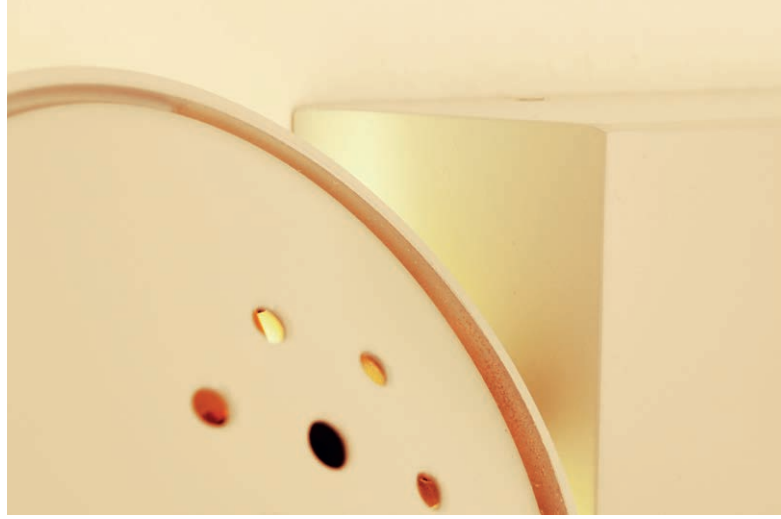


Non-standard finishes

In addition to the metal finishes quoted in this catalog, special finishes are available for most models:

Mp – Solid brass polished, unlacquered and **Ni-lack – Solid brass nickel-plated, lacquered**

Delivery times on request.



Special finish shown: matt grey.

BulLEYE-DW

Ceiling and wall spotlights

Designed by: Jens Schump

L x W x H: 32 x 7 x 9 cm (12.6" x 2.8" x 3.5")

Shade: rotatable, Ø 8 cm (3.1")

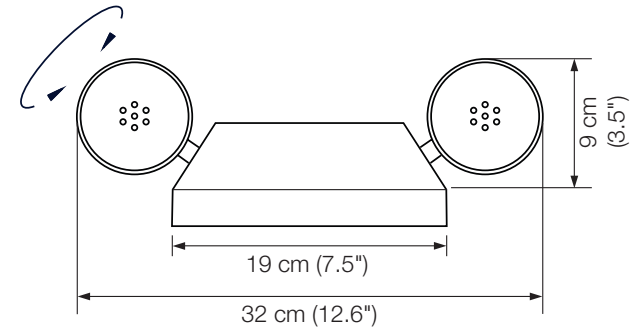
Lampholder: Osram CoB-LED, 8,7 W, 1000 Lumen
2700 °K, dimmable

Color rendering: > 90 Ra

Dimmer: on site via leading or trailing edge*

BulLEYE-DW – Ms	Solid brass polished, lacquered
BulLEYE-DW – Mt	Solid brass matt brushed, lacquered
BulLEYE-DW – Ni	Solid brass, nickel-plated
BulLEYE-DW – Nm	Solid brass nickel-plated, matt brushed
BulLEYE-DW – Cr	Solid brass, chrome-plated
BulLEYE-DW – Cu	Solid brass copper-plated, lacquered
BulLEYE-DW – Cm	Solid brass copper-plated, matt brushed, lacquered
BulLEYE-DW – Br	Solid brass bronzed, lacquered
BulLEYE-DW – Bd	Solid brass dark-bronzed, lacquered

* Casambi-DALI Modul





ONE 58

LED chandelier

Designed by: Florian Schulz + Jens Schump

Height: adjustable 0.5 to 2 m (16.69" to 78.74") (standard)*

Ø Ring: 58 cm (22.8")

Ø Canopy: 25 cm (9.8")

Bulb: LED (22,5 Watt) with glare protection incl.
approx. 3460 Lumen

Color temperature: warmwhite 2700 K

Color rendering: > 96 Ra

Dimmer: possible via house installation (standard)**

ONE 58 – Ms	Solid brass polished, lacquered
ONE 58 – Mt	Solid brass matt brushed, lacquered
ONE 58 – Ni	Solid brass, nickel-plated
ONE 58 – Nm	Solid brass nickel-plated, matt brushed
ONE 58 – Cr	Solid brass, chrome-plated
ONE 58 – Cu	Solid brass copper-plated, lacquered
ONE 58 – Cm	Solid brass copper-plated, matt brushed, lacquered
ONE 58 – Br	Solid brass bronzed, lacquered
ONE 58 – Bd	Solid brass dark-bronzed, lacquered

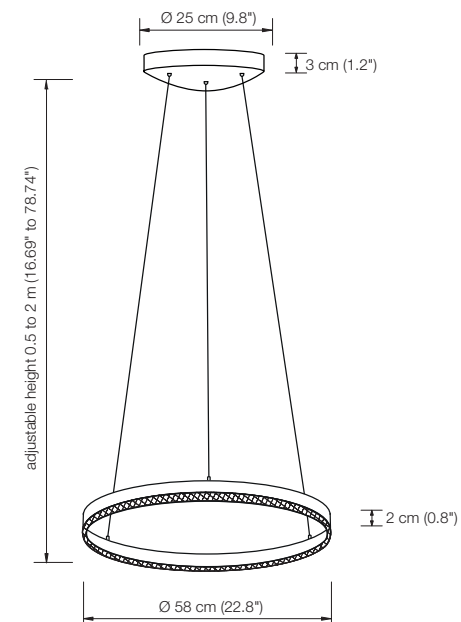
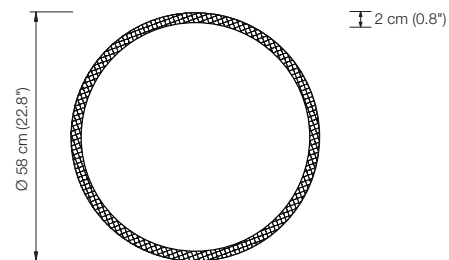
* Other heights: available on request.

** LUN-DALI 300 W or Casambi Module

Alternatively, we recommend (without obligation)

the following dimmer brands:

- Jung 1731DD
- Gira 540100 (System 3000)
- Feller 40200
- Berker 85421100
- Busch-Jaeger 64851U
- Kopp 8455
- Eltako EUD61NPL-230V



ONE 80

LED chandelier

Designed by: Florian Schulz + Jens Schump

Height: adjustable 0.5 to 2 m (16.69" to 78.74") (standard)*

Ø Ring: 80 cm (31.5")

Ø Canopy: 25 cm (9.8")

Bulb: LED (31,3 Watt) with glare protection incl.
approx. 4800 Lumen

Color temperature: warmwhite 2700 K

Color rendering: > 96 Ra

Dimmer: possible via house installation (standard)**

ONE 80 – Ms	Solid brass polished, lacquered
ONE 80 – Mt	Solid brass matt brushed, lacquered
ONE 80 – Ni	Solid brass, nickel-plated
ONE 80 – Nm	Solid brass nickel-plated, matt brushed
ONE 80 – Cr	Solid brass, chrome-plated
ONE 80 – Cu	Solid brass copper-plated, lacquered
ONE 80 – Cm	Solid brass copper-plated, matt brushed, lacquered
ONE 80 – Br	Solid brass bronzed, lacquered
ONE 80 – Bd	Solid brass dark-bronzed, lacquered

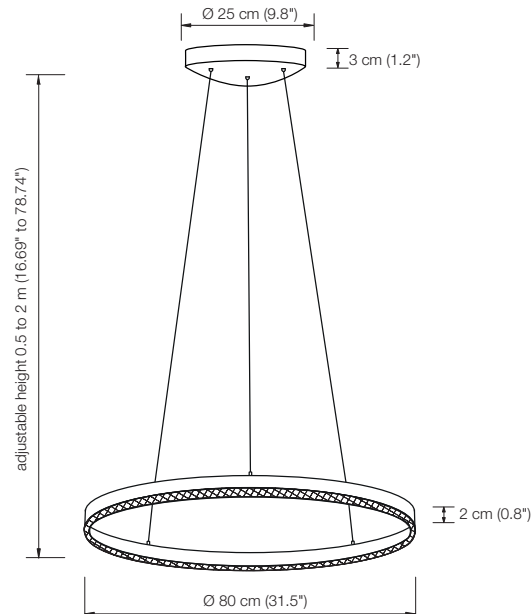
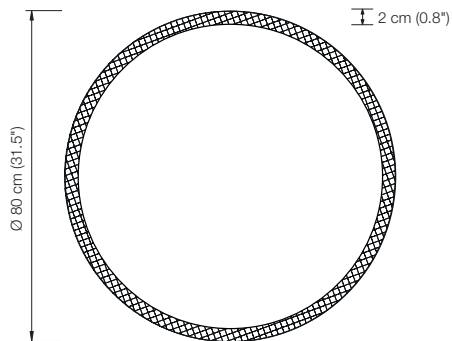
* Other heights: available on request.

** LUN-DALI 300 W or Casambi Module

Alternatively, we recommend (without obligation)

the following dimmer brands:

- Jung 1731DD
- Gira 540100 (System 3000)
- Feller 40200
- Berker 85421100
- Busch-Jaeger 64851U
- Kopp 8455
- Eltako EUD61NPL-230V





OVA

LED chandelier

Designed by: Florian Schulz + Jens Schump

Height: adjustable 1.5 to 2 m (59.06" to 78.74") (standard)*

Oval shade: 125 cm long, 47 wide, 4 cm high
(49.2" long, 18.5" wide, 1.6" high)

Canopy: 47 cm long, 14 cm wide, 5 cm high
(18.5" long, 5.5" wide, 2" high)

Illuminant: LED (108 W) with glare protection incl.
approx. 13610 Lumen**

Color temperature: warmwhite 2700 K***

Color rendering: > 94 Ra

Dimmer: possible via house installation (standard)****

OVA – Ms	Solid brass polished, lacquered
OVA – Mt	Solid brass matt brushed, lacquered
OVA – Ni	Solid brass, nickel-plated
OVA – Nm	Solid brass nickel-plated, matt brushed
OVA – Cr	Solid brass, chrome-plated
OVA – Cu	Solid brass copper-plated, lacquered
OVA – Cm	Solid brass copper-plated, matt brushed, lacquered
OVA – Br	Solid brass bronzed, lacquered
OVA – Bd	Solid brass dark-bronzed, lacquered

* Other heights possible, each with a range of 50 cm (19.7").

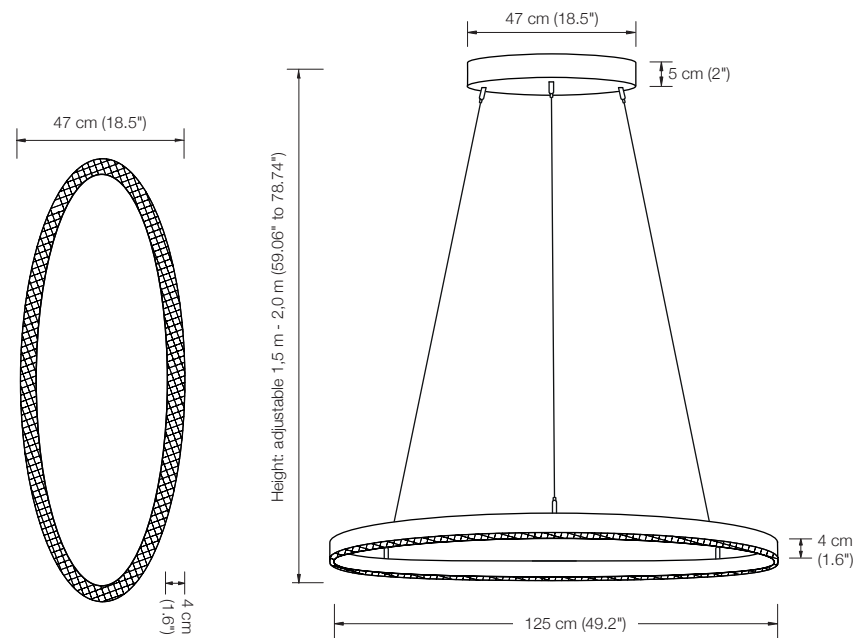
** Higher lumens on request.

*** 3000K + 4000K on request.

**** LUN-DALI 300 W or Casambi Module

Alternatively, we recommend (without obligation) the following dimmer brands:

- Jung 1731DD
- Gira 540100 (System 3000)
- Feller 40200
- Berker 85421100
- Busch-Jaeger 64851U
- Kopp 8455
- Eltako EUD61NPL-230V



OVETTE

LED chandelier

Designed by: Jens Schump

Height: adjustable 1.5 to 2 m (59.06" to 78.74") (standard)*

Ellipse: 86 cm long, 24 cm wide, 3 cm high
(33.9" long, 9.4" wide, 1.2" high)

Canopy: 33 cm long, 12 cm wide, 5 cm high
(13" long, 4.7" wide, 2" high)

Illuminant: LED (64,8 W) with glare protection incl.
approx. 8240 Lumen

Color temperature: warmwhite 2700 K**

CRI: > 95 Ra

Dimmer: possible via house installation (standard)***

OVETTE – Ms	Solid brass polished, lacquered
OVETTE – Mt	Solid brass matt brushed, lacquered
OVETTE – Ni	Solid brass, nickel-plated
OVETTE – Nm	Solid brass nickel-plated, matt brushed
OVETTE – Cr	Solid brass, chrome-plated
OVETTE – Cu	Solid brass copper-plated, lacquered
OVETTE – Cm	Solid brass copper-plated, matt brushed, lacquered
OVETTE – Br	Solid brass bronzed, lacquered
OVETTE – Bd	Solid brass dark-bronzed, lacquered

* Other heights possible, each with a range of 50 cm (19.7").

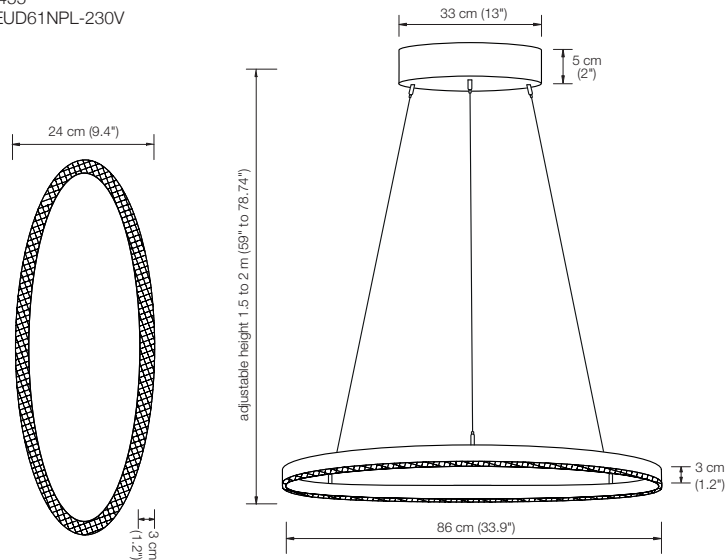
** 3000K + 4000K on request.

*** LUN-DALI 300 W or Casambi Module

Alternatively, we recommend (without obligation)

the following dimmer brands:

- Jung 1731DD
- Gira 540100 (System 3000)
- Feller 40200
- Berker 85421100
- Busch-Jaeger 64851U
- Kopp 8455
- Eltako EUD61NPL-230V





MESA 18

Chandelier · 18 removable metal arms

Designed by: Florian Schulz

Total height: min. 85 cm (33.5") - max. 125 cm (49.2")
(standard unless ordered otherwise)
 Ø: 88 cm (34.6")
 Lampholder: 18 x G4, max. 18 x 3,8 W / 12 V (max. 70 W)
 Bulb: 18 x G4 LED, 2 W, à 200 Lumen, 2700° K inkl., dimmable
 Dimmer: possible via house installation *(standard)**

MESA 18 – Ms Solid brass polished, lacquered
 MESA 18 – Mt Solid brass matt brushed, lacquered
 MESA 18 – Ni Solid brass, nickel-plated
 MESA 18 – Nm Solid brass nickel-plated, matt brushed
 MESA 18 – Cr Solid brass, chrome-plated
 MESA 18 – Cu Solid brass copper-plated, lacquered
 MESA 18 – Cm Solid brass copper-plated, matt brushed, lacquered
 MESA 18 – Br Solid brass bronzed, lacquered
 MESA 18 – Bd Solid brass dark-bronzed, lacquered

MESA 24

Chandelier · 24 removable metal armse

Designed by: Florian Schulz

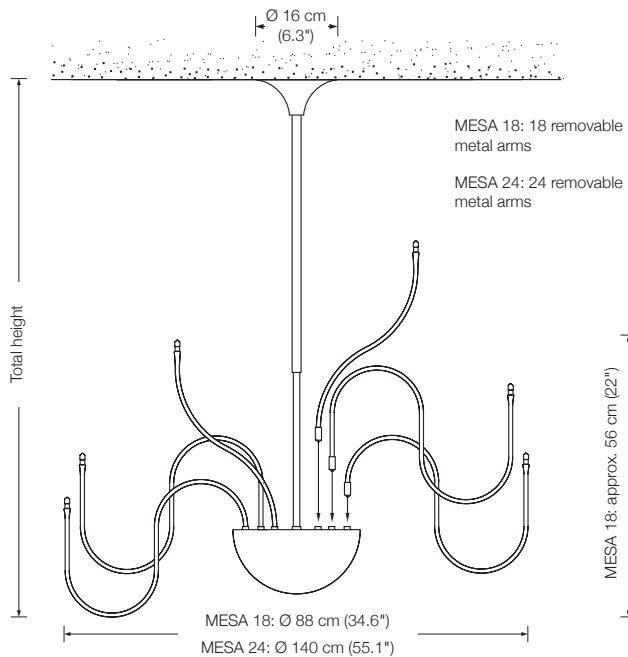
Total height: min. 95 (37.4") - max. 135 cm (53.1")
(standard unless ordered otherwise)
 Ø: 140 cm (55.1")
 Lampholder: 24 x G4, max. 24 x 2,9 W / 12 V
 Bulb: 24 x G4 LED, 2 W, à 200 Lumen, 2700° K inkl., dimmable
 Dimmer: possible via house installation *(standard)**

MESA 24 – Ms Solid brass polished, lacquered
 MESA 24 – Mt Solid brass matt brushed, lacquered
 MESA 24 – Ni Solid brass, nickel-plated
 MESA 24 – Nm Solid brass nickel-plated, matt brushed
 MESA 24 – Cr Solid brass, chrome-plated
 MESA 24 – Cu Solid brass copper-plated, lacquered
 MESA 24 – Cm Solid brass copper-plated, matt brushed, lacquered
 MESA 24 – Br Solid brass bronzed, lacquered
 MESA 24 – Bd Solid brass dark-bronzed, lacquered

* LUN-DALI 300 W or Casambi Module

Alternatively, we recommend *(without obligation)*

the following dimmer brands:
 - Jung 1731DD
 - Gira 540100 (System 3000)
 - Feller 40200
 - Berker 85421100
 - Busch-Jaeger 64851U
 - Kopp 8455
 - Eitako EUD61NPL-230V



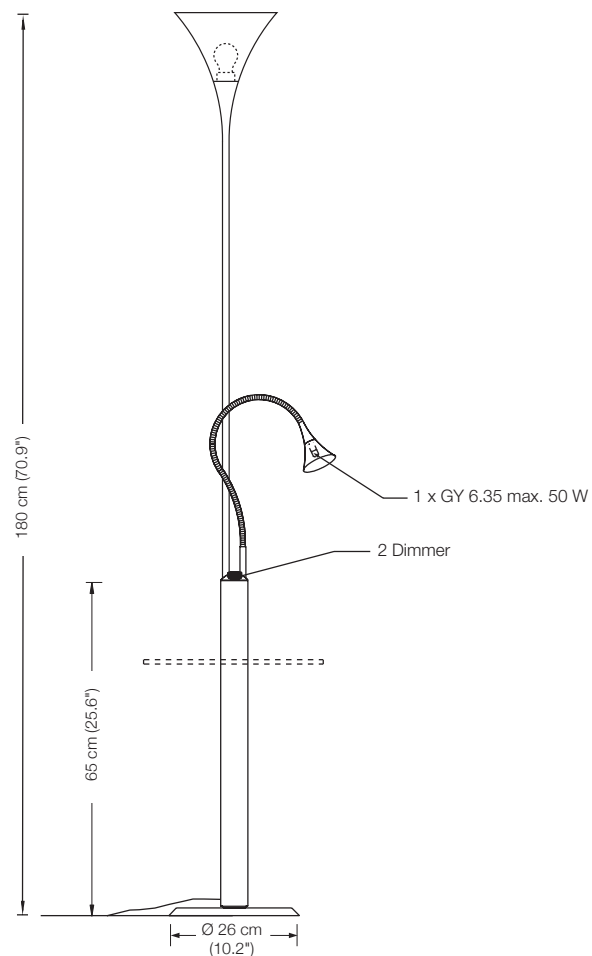
VAYO

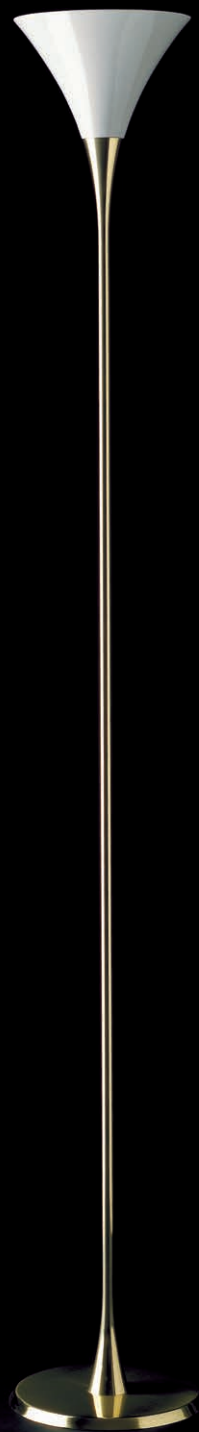
Floor lamp / Floor reading lamp

Designed by: Florian Schulz

Height: 180 cm (70.9")
Width reading lamp: approx. 50 cm (19.7")
Shade floor lamp: glass white-opal, Ø 23 cm (9.1")
Shade reading lamp: TEFLON white Ø 7 cm (2.8")
Lampholder floor lamp: E27, max. 150 W / 230 V
Bulb floor lamp: 1 x OS E27 Parathom incl., 2452 Lumen,
21 W $\hat{=}$ 150 W, 2700° K, dimmable
Lampholder reading lamp: GY6.35, max. 50 W / 12 V
Bulb reading lamp: 1 x G6 incl., dimmable
Electric wire: 4 m (13.1 ft)
Dimmer: 2 x built in

VAYO – Ms Solid brass polished, lacquered
VAYO – Mt Solid brass matt brushed, lacquered
VAYO – Ni Solid brass, nickel-plated
VAYO – Nm Solid brass nickel-plated, matt brushed
VAYO – Cr Solid brass, chrome-plated
VAYO – Cu Solid brass copper-plated, lacquered
VAYO – Cm Solid brass copper-plated, matt brushed, lacquered
VAYO – Br Solid brass bronzed, lacquered
VAYO – Bd Solid brass dark-bronzed, lacquered
Optional: Glass tabletop
Ø 36 cm (14.2"), height 50 cm (19.7"), clear glass 10 mm (0.4")





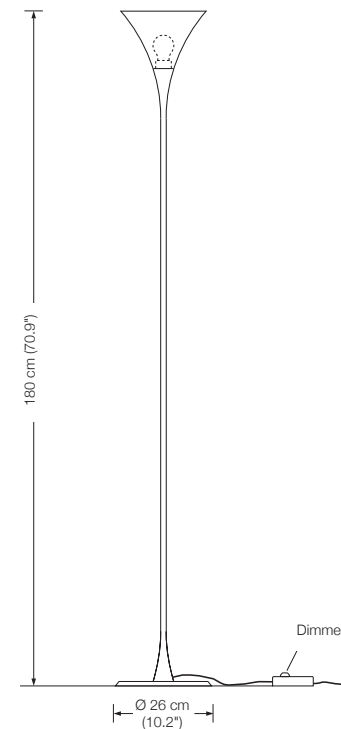
LONEA

Floor lamp

Designed by: Florian Schulz

Height: 180 cm (70.9")
 Shade: glass white-opal, Ø 23 cm (9.1")
 Lampholder: E27, max. 250 W
 Bulb: 1 x OS E27 Parathom incl., 2452 Lumen,
 21 W $\hat{=}$ 150 W, 2700° K, dimmable
 Electric wire: 3 m (9.8 ft)
 Dimmer: on cord

LONEA – Ms Solid brass polished, lacquered
 LONEA – Mt Solid brass matt brushed, lacquered
 LONEA – Ni Solid brass, nickel-plated
 LONEA – Nm Solid brass nickel-plated, matt brushed
 LONEA – Cr Solid brass, chrome-plated
 LONEA – Cu Solid brass copper-plated, lacquered
 LONEA – Cm Solid brass copper-plated, matt brushed, lacquered
 LONEA – Br Solid brass bronzed, lacquered
 LONEA – Bd Solid brass dark-bronzed, lacquered



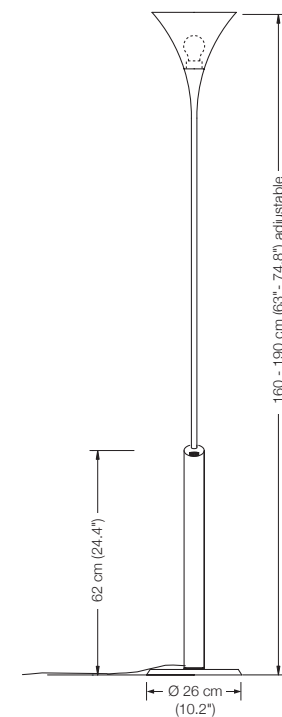
LONEA SD

Floor lamp

Designed by: Florian Schulz

Height: 160 - 190 cm (63"- 74.8") adjustable
 Shade: glass white-opal, Ø 23 cm (9.1")
 Lampholder: E27, max. 250 W
 Bulb: 1 x OS E27 Parathom incl., 2452 Lumen,
 21 W $\hat{=}$ 150 W, 2700° K, dimmable
 Electric wire: 3 m (9.8 ft)
 Dimmer: built in

LONEA SD – Ms Solid brass polished, lacquered
 LONEA SD – Mt Solid brass matt brushed, lacquered
 LONEA SD – Ni Solid brass, nickel-plated
 LONEA SD – Nm Solid brass nickel-plated, matt brushed
 LONEA SD – Cr Solid brass, chrome-plated
 LONEA SD – Cu Solid brass copper-plated, lacquered
 LONEA SD – Cm Solid brass copper-plated, matt brushed, lacquered
 LONEA SD – Br Solid brass bronzed, lacquered
 LONEA SD – Bd Solid brass dark-bronzed, lacquered



LOT

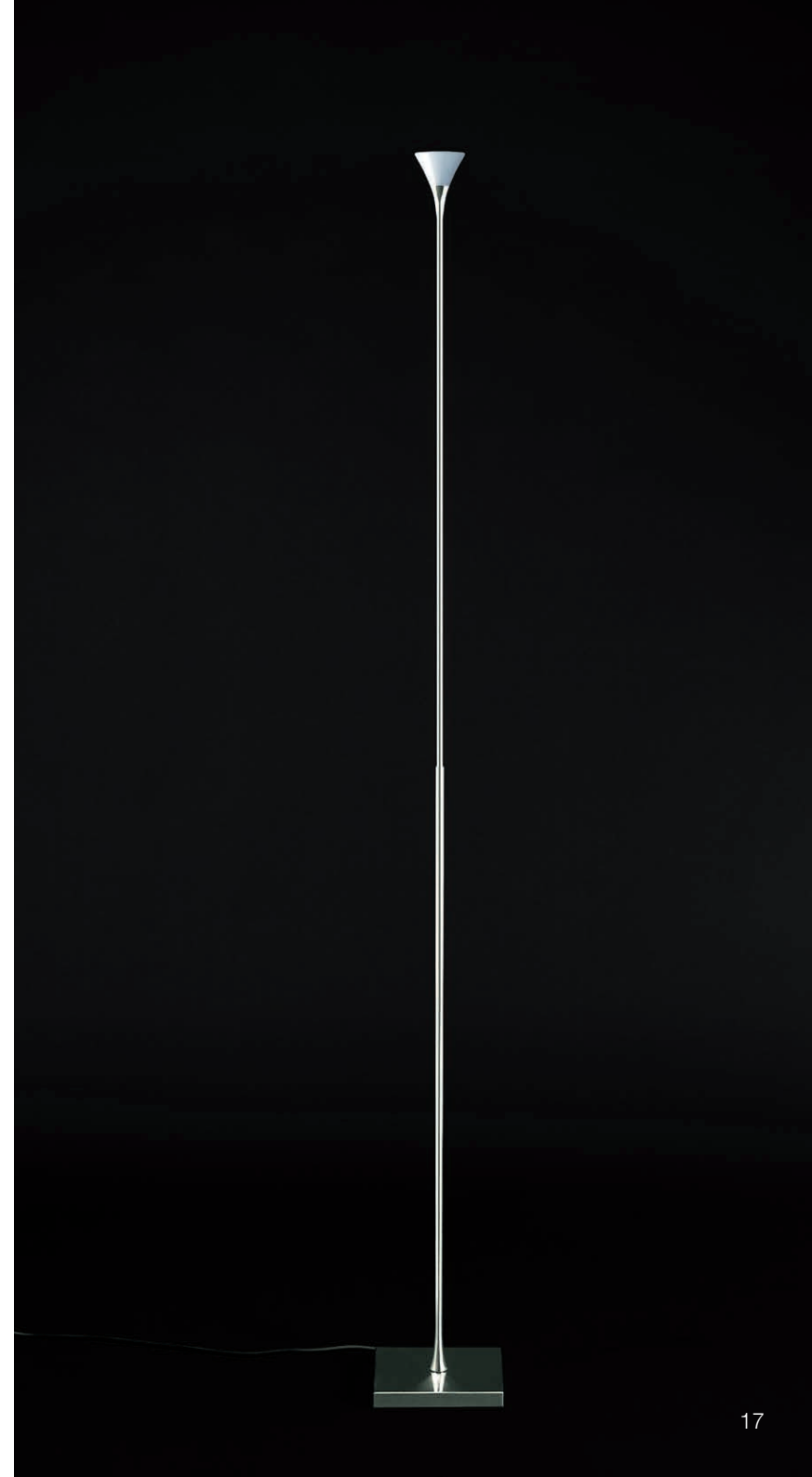
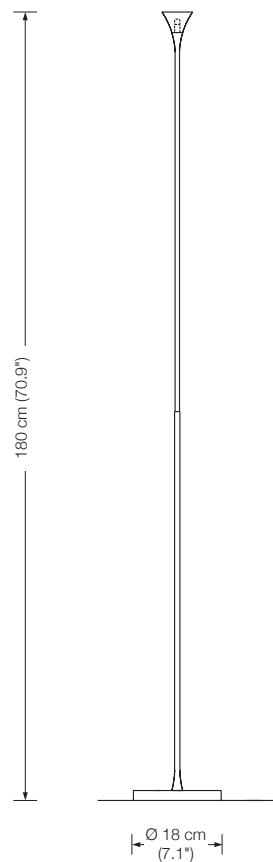
Floor lamp

Designed by: Florian Schulz

Height: 180 cm (70.9")
Shade: TEFLON white, Ø 7 cm (2.8")
Lampholder: GY6.35, max. 50 W / 12 V
Bulb: 1 x G6 incl., 50 W $\hat{=}$ 75 W, dimmable
Electric wire: 2,5 m (8.2 ft)
Dimmer: on cord*

LOT – Ms Solid brass polished, lacquered
LOT – Mt Solid brass matt brushed, lacquered
LOT – Ni Solid brass, nickel-plated
LOT – Nm Solid brass nickel-plated, matt brushed
LOT – Cr Solid brass, chrome-plated
LOT – Cu Solid brass copper-plated, lacquered
LOT – Cm Solid brass copper-plated, matt brushed, lacquered
LOT – Br Solid brass bronzed, lacquered
LOT – Bd Solid brass dark-bronzed, lacquered

* Touchtronic only on request.



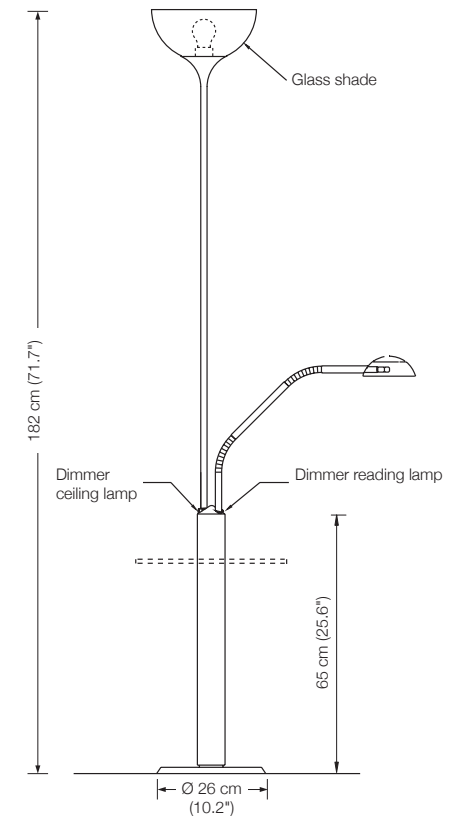


MYOS

Floor lamp / Floor reading lamp

Designed by:	Florian Schulz
Height:	182 cm (71.7")
Width reading lamp:	approx. 50 cm (19.7")
Shade floor lamp:	glass white-opal, Ø 26 cm (10.2")
Shade reading lamp:	metal Ø 12 cm (4.7"), adjustable
Lampholder floor lamp:	E27, max. 250 W / 230 V
Bulb floor lamp:	1 x E27 LED á 1521 Lumen, 14,5 W incl. 2700° K, dimmable
Lampholder reading lamp:	GY6.35, max. 50 W / 12 V
Bulb reading lamp:	1 x G6 incl., 35 W $\hat{=}$ 50 W, dimmable
Electric wire:	4 m (13.1 ft)
Dimmer:	2 x built in

MYOS – Ms	Solid brass polished, lacquered
MYOS – Mt	Solid brass matt brushed, lacquered
MYOS – Ni	Solid brass, nickel-plated
MYOS – Nm	Solid brass nickel-plated, matt brushed
MYOS – Cr	Solid brass, chrome-plated
MYOS – Cu	Solid brass copper-plated, lacquered
MYOS – Cm	Solid brass copper-plated, matt brushed, lacquered
MYOS – Br	Solid brass bronzed, lacquered
MYOS – Bd	Solid brass dark-bronzed, lacquered
Optional: Glass tabletop	Ø 36 cm (14.2"), height 50 cm (19.7"), clear glass 10 mm (0.4")



MYOS T

Floor lamp / Floor reading lamp

Designed by:	Florian Schulz
Height:	182 cm (71.7")
Width reading lamp:	approx. 50 cm (19.7")
Shade reading lamp:	metal Ø 12 cm (4.7"), adjustable
Lampholder floor lamp:	E27, max. 250 W / 230 V
Bulb floor lamp:	1 x E27 LED á 1521 Lumen, 14,5 W incl. 2700° K, dimmable
Lampholder reading lamp:	GY6.35, max. 50 W / 12 V
Bulb reading lamp:	1 x G6 incl., 35 W \triangleq 50 W, dimmable
Electric wire:	4 m (13.1 ft)
Dimmer:	2 x built in

MYOS T 40

Shade floor lamp: glass white-opal, Ø 40 cm (15.7")

MYOS T 40 – Ms	Solid brass polished, lacquered
MYOS T 40 – Mt	Solid brass matt brushed, lacquered
MYOS T 40 – Ni	Solid brass, nickel-plated
MYOS T 40 – Nm	Solid brass nickel-plated, matt brushed
MYOS T 40 – Cr	Solid brass, chrome-plated
MYOS T 40 – Cu	Solid brass copper-plated, lacquered
MYOS T 40 – Cm	Solid brass copper-plated, matt brushed, lacquered
MYOS T 40 – Br	Solid brass bronzed, lacquered
MYOS T 40 – Bd	Solid brass dark-bronzed, lacquered

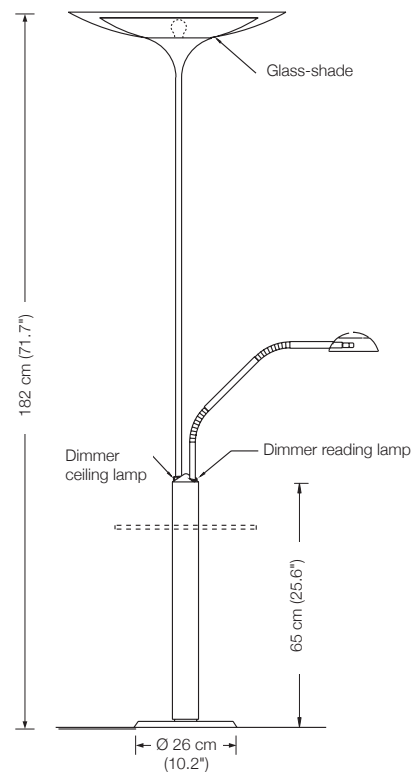
Optional: Glass tabletop
Ø 36 cm (14.2"), height 50 cm (19.7"), clear glass 10 mm (0.4")

MYOS T 55

Shade floor lamp: glass white-opal, Ø 55 cm (21.7")

MYOS T 55 – Ms	Solid brass polished, lacquered
MYOS T 55 – Mt	Solid brass matt brushed, lacquered
MYOS T 55 – Ni	Solid brass, nickel-plated
MYOS T 55 – Nm	Solid brass nickel-plated, matt brushed
MYOS T 55 – Cr	Solid brass, chrome-plated
MYOS T 55 – Cu	Solid brass copper-plated, lacquered
MYOS T 55 – Cm	Solid brass copper-plated, matt brushed, lacquered
MYOS T 55 – Br	Solid brass bronzed, lacquered
MYOS T 55 – Bd	Solid brass dark-bronzed, lacquered

Optional: Glass tabletop
Ø 36 cm (14.2"), height 50 cm (19.7"), clear glass 10 mm (0.4")





TAOS

Floor lamp

Designed by: Florian Schulz

Height: 160 - 210 cm (63" - 82.7") adjustable

Lampholder: E27, max. 150 W

Bulb: 1 x E27 LED á 1521 Lumen, 14,5 W incl.
2700° K, dimmable

Electric wire: 3 m (9.8 ft)

Dimmer: on cord

TAOS 55

Shade: glass white-opal Ø 55 cm (21.7")

TAOS 55 – Ms Solid brass polished, lacquered

TAOS 55 – Mt Solid brass matt brushed, lacquered

TAOS 55 – Ni Solid brass, nickel-plated

TAOS 55 – Nm Solid brass nickel-plated, matt brushed

TAOS 55 – Cr Solid brass, chrome-plated

TAOS 55 – Cu Solid brass copper-plated, lacquered

TAOS 55 – Cm Solid brass copper-plated, matt brushed, lacquered

TAOS 55 – Br Solid brass bronzed, lacquered

TAOS 55 – Bd Solid brass dark-bronzed, lacquered

TAOS 40

Shade: glass white-opal Ø 40 cm (15.7")

TAOS 40 – Ms Solid brass polished, lacquered

TAOS 40 – Mt Solid brass matt brushed, lacquered

TAOS 40 – Ni Solid brass, nickel-plated

TAOS 40 – Nm Solid brass nickel-plated, matt brushed

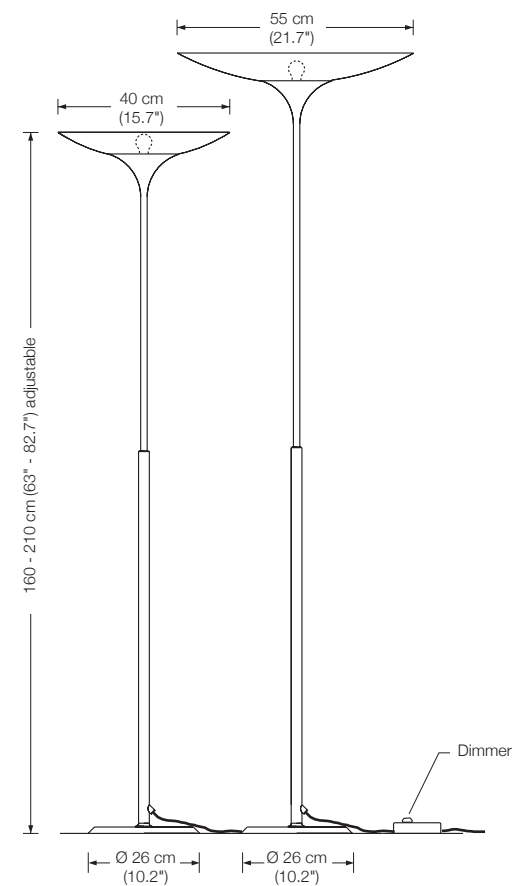
TAOS 40 – Cr Solid brass, chrome-plated

TAOS 40 – Cu Solid brass copper-plated, lacquered

TAOS 40 – Cm Solid brass copper-plated, matt brushed, lacquered

TAOS 40 – Br Solid brass bronzed, lacquered

TAOS 40 – Bd Solid brass dark-bronzed, lacquered



TAOS SD

Floor lamp

Designed by: Florian Schulz

Height: 160 - 190 cm (63" - 74.8") adjustable
Lampholder: E27 max. 150 W
Bulb: 1 x E27 LED á 1521 Lumen, 14,5 W incl.
2700° K, dimmable
Electric wire: 3 m (9.8 ft)
Dimmer: built in

TAOS 55 SD

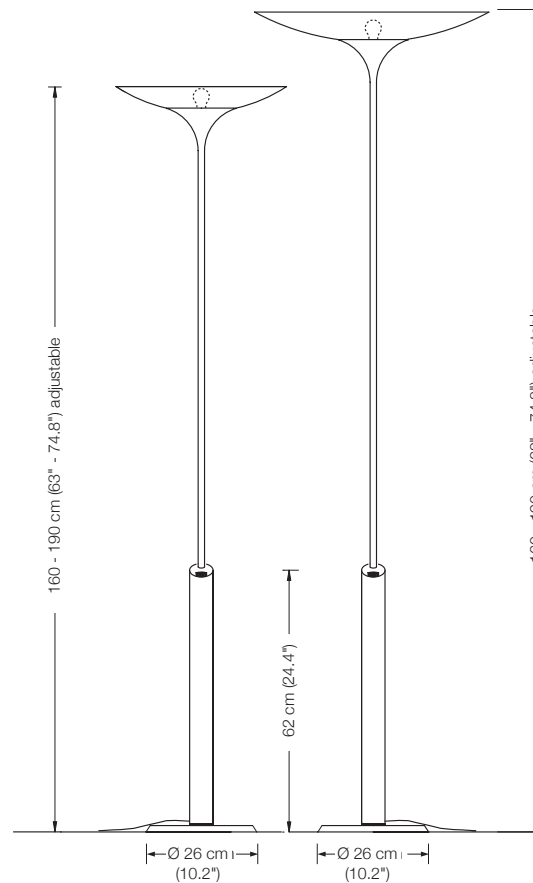
Shade: glass white-opal Ø 55 cm (21.7")

TAOS 55 SD – Ms Solid brass polished, lacquered
TAOS 55 SD – Mt Solid brass matt brushed, lacquered
TAOS 55 SD – Ni Solid brass, nickel-plated
TAOS 55 SD – Nm Solid brass nickel-plated, matt brushed
TAOS 55 SD – Cr Solid brass, chrome-plated
TAOS 55 SD – Cu Solid brass copper-plated, lacquered
TAOS 55 SD – Cm Solid brass copper-plated, matt brushed, lacquered
TAOS 55 SD – Br Solid brass bronzed, lacquered
TAOS 55 SD – Bd Solid brass dark-bronzed, lacquered

TAOS 40 SD

Shade: glass white-opal Ø 40 cm (15.7")

TAOS 40 SD – Ms Solid brass polished, lacquered
TAOS 40 SD – Mt Solid brass matt brushed, lacquered
TAOS 40 SD – Ni Solid brass, nickel-plated
TAOS 40 SD – Nm Solid brass nickel-plated, matt brushed
TAOS 40 SD – Cr Solid brass, chrome-plated
TAOS 40 SD – Cu Solid brass copper-plated, lacquered
TAOS 40 SD – Cm Solid brass copper-plated, matt brushed, lacquered
TAOS 40 SD – Br Solid brass bronzed, lacquered
TAOS 40 SD – Bd Solid brass dark-bronzed, lacquered





BulLEYE-S

Floor reading lamp

Designed by: Jens Schump

Height: 107 – 172 cm (42.1" – 67.7") adjustable

Shade: rotatable, Ø 8 cm (3.1")

Lampholder: Osram CoB-LED, 8,7 W, 1000 Lumen
2700 °K, dimmable

Color rendering: > 90 Ra

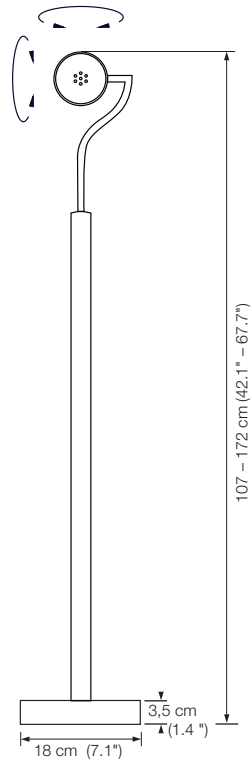
Electric wire: 3 m (9.8 ft) textile cable black (standard)

Dimmer: integrated in cord*

BulLEYE-S – Ms	Solid brass polished, lacquered
BulLEYE-S – Mt	Solid brass matt brushed, lacquered
BulLEYE-S – Ni	Solid brass, nickel-plated
BulLEYE-S – Nm	Solid brass nickel-plated, matt brushed
BulLEYE-S – Cr	Solid brass, chrome-plated
BulLEYE-S – Cu	Solid brass copper-plated, lacquered
BulLEYE-S – Cm	Solid brass copper-plated, matt brushed, lacquered
BulLEYE-S – Br	Solid brass bronzed, lacquered
BulLEYE-S – Bd	Solid brass dark-bronzed, lacquered

* Casambi-DALI Modul

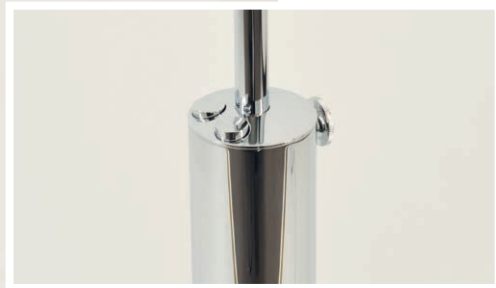
(Dimmer in the supply line is omitted)



Special finish shown: matt black.

Extendable
up to 172 cm
(67.7").





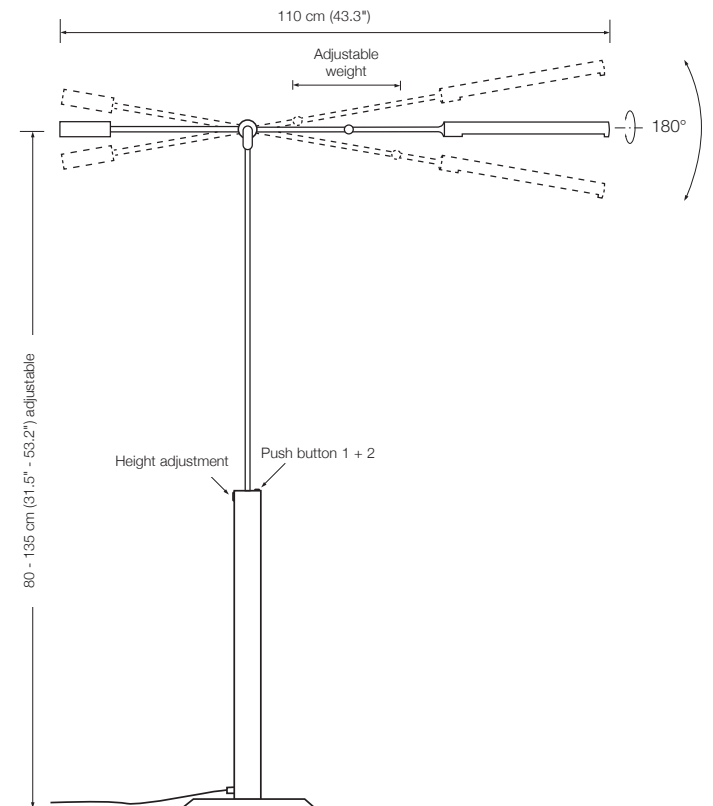
DROP

Floor reading lamp / Piano light

Designed by: Jens Schump

Height: adjustable from 80 – 135 cm (31.5" – 53.1")
 Width: 70 cm (27.6")
 Shade: Ø 3 cm (1.2"), approx. 34 cm (13.4") long, 180° rotatable
 Bulb: LED-Line TW (approx. 18,6 W) incl., exchangeable approx. 1800 Lumen, dimmable
 Push button 1: tuning white infinitely variable from 2700° – 5700° K
 Push button 2: on / off / dimming
 Color rendering: > 95 Ra
 Electric wire: 3 m (9.8 ft) textile cable black (standard)
 Dimmer: built in

- DROP – Ms Solid brass polished, lacquered
- DROP – Mt Solid brass matt brushed, lacquered
- DROP – Ni Solid brass, nickel-plated
- DROP – Nm Solid brass nickel-plated, matt brushed
- DROP – Cr Solid brass, chrome-plated
- DROP – Cu Solid brass copper-plated, lacquered
- DROP – Cm Solid brass copper-plated, matt brushed, lacquered
- DROP – Br Solid brass bronzed, lacquered
- DROP – Bd Solid brass dark-bronzed, lacquered



NOSTALGIA-S

Floor reading lamp

Designed by: Jens Schump

Height: 120 cm (47.2")

Shade*: Silk

Colour: white or black

Shape: conical or straight

Lampholder: 1 x E27, max. 150 W

Bulb: 1 x E27 LED á 1055 Lumen,

7,8 W, 2700 °K

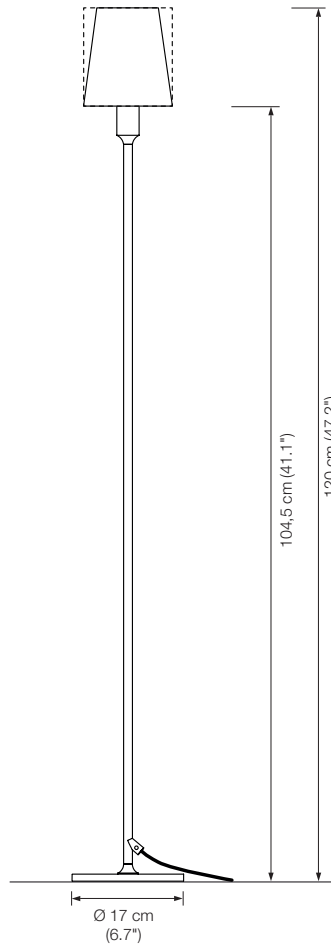
Electric wire: 2,5 m (8.2 ft)

Dimmer: on cord

NOSTALGIA-S – Ms	Solid brass polished, lacquered
NOSTALGIA-S – Mt	Solid brass matt brushed, lacquered
NOSTALGIA-S – Ni	Solid brass, nickel-plated
NOSTALGIA-S – Nm	Solid brass nickel-plated, matt brushed
NOSTALGIA-S – Cr	Solid brass, chrome-plated
NOSTALGIA-S – Cu	Solid brass copper-plated, lacquered
NOSTALGIA-S – Cm	Solid brass copper-plated, matt brushed, lacquered
NOSTALGIA-S – Br	Solid brass bronzed, lacquered
NOSTALGIA-S – Bd	Solid brass dark-bronzed, lacquered

Conical Shade:
Ø 14 cm, h 15,5 cm, Ø 10 cm
(Ø 5.5", h 6.1", Ø 3.9")

Cylindrical Shade:
Ø 14 cm, h 15,5 cm
(Ø 5.5", h 6.1")



* Please specify the desired shape when ordering.
Silk according to sample card VS Manufaktur.

With all silk shades, you have the option of sending us your own fabric and we will manufacture your individual shade in our in-house manufactory.

If the shade is made from a different material:
Surcharge according to effort.
Fabric required: 50 x 25 cm (19.7" x 9.8")





STE

Floor reading lamp

Designed by: Florian Schulz

Height: adjustable
 Shade: Silk*
 Lampholder: E27, max. 150 W
 Bulb: 1 x E27 LED á 1055 Lumen, 10,5 W incl.
 2700° K, 11 W \triangleq 75 W, dimmable
 Electric wire: 3 m (9.8 ft) textile cable black (standard)
 Dimmer: on cord

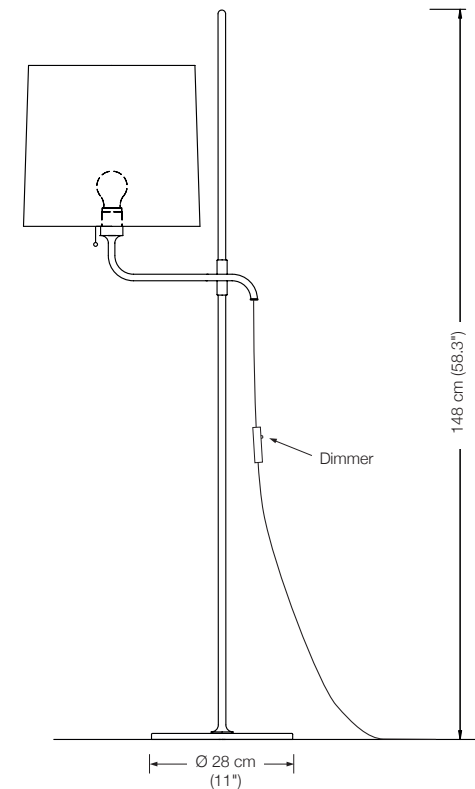
STE – Ms Solid brass polished, lacquered
 STE – Mt Solid brass matt brushed, lacquered
 STE – Ni Solid brass, nickel-plated
 STE – Nm Solid brass nickel-plated, matt brushed
 STE – Cr Solid brass, chrome-plated
 STE – Cu Solid brass copper-plated, lacquered
 STE – Cm Solid brass copper-plated, matt brushed, lacquered
 STE – Br Solid brass bronzed, lacquered
 STE – Bd Solid brass dark-bronzed, lacquered

* Silk according to sample card VS Manufaktur.

With all silk shades, you have the option of sending us your own fabric and we will manufacture your individual shade in our in-house manufactory.

If the shade is made from a different material:
 Surcharge according to effort.
 Fabric required: 120 x 60 cm (47.2" x 23.6")

Ø 34 cm (13.4")
 h 33 cm (13")
 Ø 35 cm (13.8")



PIN d

Floor reading lamp dimmbar

Designed by: Florian Schulz

Height: 105 - 140 cm (41.3" - 55.1") adjustable

Width: approx. 52 cm (20.5")

Bulb: 1 x LED 150 (approx. 8,4 Watt) incl.
exchangeable

approx. 840 Lumen

Color temperature: warmwhite 2700 K

Color rendering: > 90 Ra

Electric wire: 3 m (9.8 ft)

Dimmer: built in

PIN d – Ms Solid brass polished, lacquered

PIN d – Mt Solid brass matt brushed, lacquered

PIN d – Ni Solid brass, nickel-plated

PIN d – Nm Solid brass nickel-plated, matt brushed

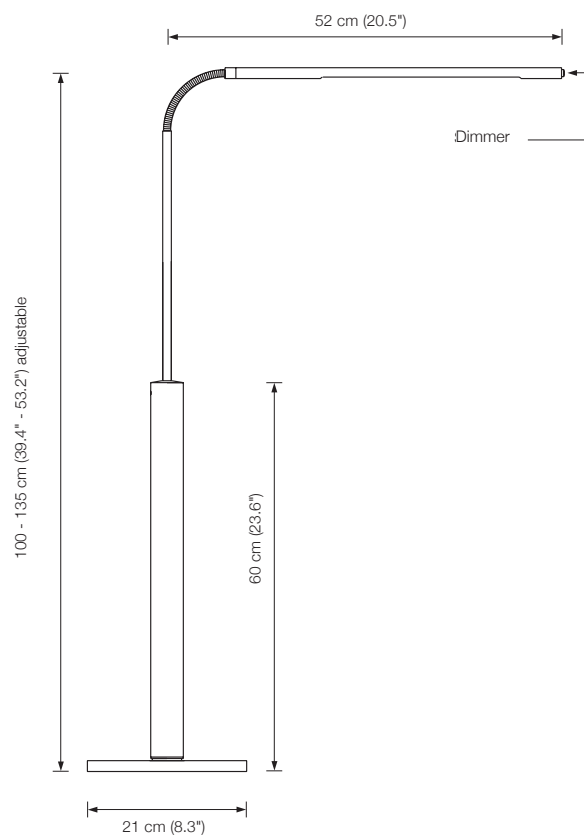
PIN d – Cr Solid brass, chrome-plated

PIN d – Cu Solid brass copper-plated, lacquered

PIN d – Cm Solid brass copper-plated, matt brushed, lacquered

PIN d – Br Solid brass bronzed, lacquered

PIN d – Bd Solid brass dark-bronzed, lacquered





GO 30 *Discontinued Model. Only while stocks last.*

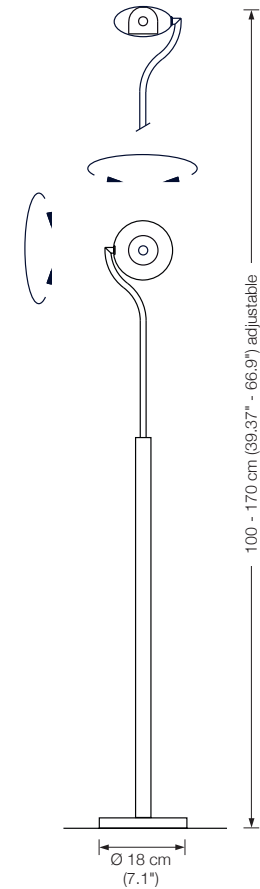
Floor reading lamp

Designed by: Florian Schulz + Jens Schump

Height: 100 - 170 cm (39.37" - 66.9") adjustable
Shade: TEFLON white, Ø 10 cm (3.9")
Lampholder: GY6.35, max. 50 W
Bulb: 1 x G6 incl., dimmable
Electric wire: 2,5 m (8.2 ft)
Dimmer: on cord*

GO 30 – Ms Solid brass polished, lacquered
GO 30 – Mt Solid brass matt brushed, lacquered
GO 30 – Ni Solid brass, nickel-plated
GO 30 – Nm Solid brass nickel-plated, matt brushed
GO 30 – Cr Solid brass, chrome-plated
GO 30 – Cu Solid brass copper-plated, lacquered
GO 30 – Cm Solid brass copper-plated, matt brushed, lacquered
GO 30 – Br Solid brass bronzed, lacquered
GO 30 – Bd Solid brass dark-bronzed, lacquered

* Touchtronic only on request.



LIN

Floor reading lamp

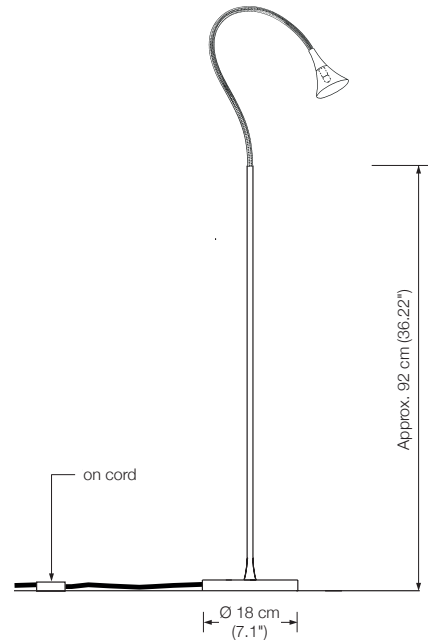
flexible and specially reinforced metal arm

Designed by: Florian Schulz

Height: approx. 140 cm (55.1")
Shade: TEFLON white, Ø 7 cm (2.8")
Lampholder: GY6.35, max. 50 W / 12 V
Bulb: 1 x G6 incl., 50 W $\hat{=}$ 75 W, dimmable
Electric wire: 2,5 m (8.2 ft)
Dimmer: on cord*

LIN – Ms Solid brass polished, lacquered
LIN – Mt Solid brass matt brushed, lacquered
LIN – Ni Solid brass, nickel-plated
LIN – Nm Solid brass nickel-plated, matt brushed
LIN – Cr Solid brass, chrome-plated
LIN – Cu Solid brass copper-plated, lacquered
LIN – Cm Solid brass copper-plated, matt brushed, lacquered
LIN – Br Solid brass bronzed, lacquered
LIN – Bd Solid brass dark-bronzed, lacquered

* Touchtronic only on request.





INAS

Floor reading lamp

Designed by: Florian Schulz

Height: 132 - 170 cm (52" - 66.9") adjustable
 Shade: Silk, conical or straight*
 Lampholder: E27, max. 150 W
 Bulb: 1 x E27 LED á 1055 Lumen, 10,5 W incl.
 2700° K, 10,5 W $\hat{=}$ 75 W, dimmable
 Electric wire: 4 m (13.1 ft)
 Dimmer: on cord

INAS – Ms Solid brass polished, lacquered
 INAS – Mt Solid brass matt brushed, lacquered
 INAS – Ni Solid brass, nickel-plated
 INAS – Nm Solid brass nickel-plated, matt brushed
 INAS – Cr Solid brass, chrome-plated
 INAS – Cu Solid brass copper-plated, lacquered
 INAS – Cm Solid brass copper-plated, matt brushed, lacquered
 INAS – Br Solid brass bronzed, lacquered
 INAS – Bd Solid brass dark-bronzed, lacquered

INAS SD

Floor reading lamp

Designed by: Florian Schulz

Height: 155 - 185 cm (61" - 72.8") adjustable
 Shade: Silk, conical or straight*
 Lampholder: E27, max. 150 W
 Bulb: 1 x E27 LED á 1055 Lumen, 10,5 W incl.
 2700° K, 10,5 W $\hat{=}$ 75 W, dimmable
 Electric wire: 4 m (13.1 ft)
 Dimmer: built in

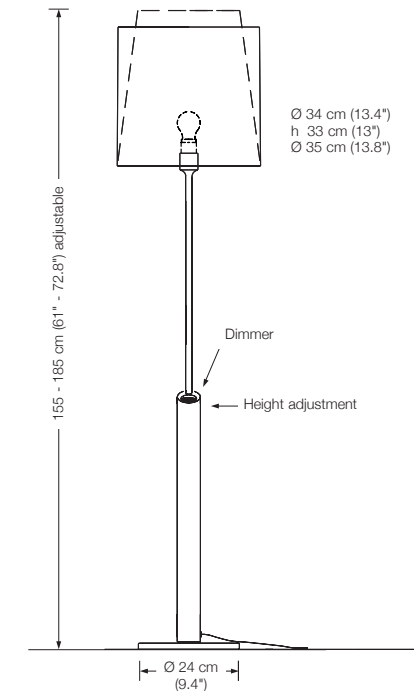
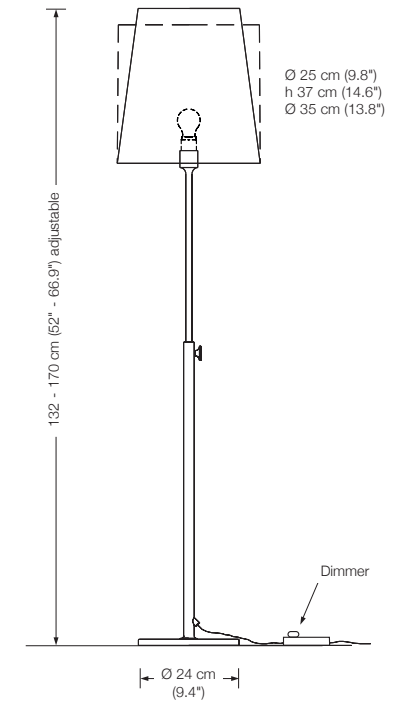
INAS SD – Ms Solid brass polished, lacquered
 INAS SD – Mt Solid brass matt brushed, lacquered
 INAS SD – Ni Solid brass, nickel-plated
 INAS SD – Nm Solid brass nickel-plated, matt brushed
 INAS SD – Cr Solid brass, chrome-plated
 INAS SD – Cu Solid brass copper-plated, lacquered
 INAS SD – Cm Solid brass copper-plated, matt brushed, lacquered
 INAS SD – Br Solid brass bronzed, lacquered
 INAS SD – Bd Solid brass dark-bronzed, lacquered

* Please specify the desired shape when ordering.
 Silk according to sample card VS Manufaktur.

With all silk shades, you have the option of sending us your own fabric and we will manufacture your individual shade in our in-house manufactory.

If the shade is made from a different material:

Surcharge according to effort. Fabric required: 120 x 60 cm (47.3" x 23.6")





LESAN M

Floor reading lamp

Designed by: Florian Schulz

Height: 90 - 135 cm (35.4" - 53.1") adjustable
 Shade: metal Ø 28 cm (11")
 Lampholder: E27, max. 100 W
 Bulb: 1 x E27 LED á 1055 Lumen, 10,5 W incl.
 2700° K, 10,5 W $\hat{=}$ 75 W, dimmable
 Electric wire: 3 m (9.8 ft)
 Dimmer: on cord

LESAN M – Ms Solid brass polished, lacquered
 LESAN M – Mt Solid brass matt brushed, lacquered
 LESAN M – Ni Solid brass, nickel-plated
 LESAN M – Nm Solid brass nickel-plated, matt brushed
 LESAN M – Cr Solid brass, chrome-plated
 LESAN M – Cu Solid brass copper-plated, lacquered
 LESAN M – Cm Solid brass copper-plated, matt brushed, lacquered
 LESAN M – Br Solid brass bronzed, lacquered
 LESAN M – Bd Solid brass dark-bronzed, lacquered

LESAN S

Floor reading lamp

Designed by: Florian Schulz

Height: 90 - 135 cm (35.4" - 53.1") adjustable
 Shade: Silk* Ø 28 cm (11")
 Lampholder: E27, max. 70 W
 Bulb: 1 x E27 LED á 1055 Lumen, 10,5 W incl.
 2700° K, 10,5 W $\hat{=}$ 75 W, dimmable
 Electric wire: 3 m (9.8 ft)
 Dimmer: on cord

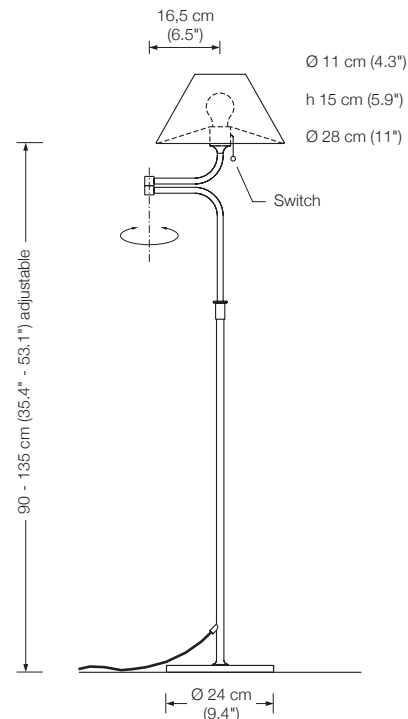
LESAN S – Ms Solid brass polished, lacquered
 LESAN S – Mt Solid brass matt brushed, lacquered
 LESAN S – Ni Solid brass, nickel-plated
 LESAN S – Nm Solid brass nickel-plated, matt brushed
 LESAN S – Cr Solid brass, chrome-plated
 LESAN S – Cu Solid brass copper-plated, lacquered
 LESAN S – Cm Solid brass copper-plated, matt brushed, lacquered
 LESAN S – Br Solid brass bronzed, lacquered
 LESAN S – Bd Solid brass dark-bronzed, lacquered

* Silk according to sample card VS Manufaktur.

With all silk shades, you have the option of sending us your own fabric and we will manufacture your individual shade in our in-house manufactory.

If the shade is made from a different material:
 Surcharge according to effort.

Fabric required: 50 x 80 cm (19.7" x 31.5")

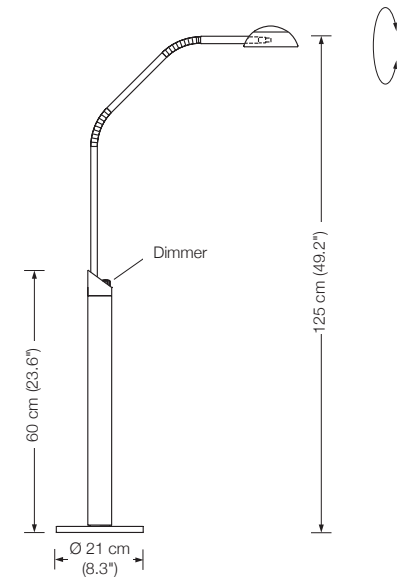


YON

Floor reading lamp

Designed by: Florian Schulz
 Height: adjustable
 Shade: metal Ø 12 cm (4.7"), rotatable
 Lampholder: GY6.35, max. 50 W / 12 V
 Bulb: 1 x G6 incl., 35 W $\hat{=}$ 50 W, dimmable
 Electric wire: 4 m (13.1 ft)
 Dimmer: built in

YON – Ms	Solid brass polished, lacquered
YON – Mt	Solid brass matt brushed, lacquered
YON – Ni	Solid brass, nickel-plated
YON – Nm	Solid brass nickel-plated, matt brushed
YON – Cr	Solid brass, chrome-plated
YON – Cu	Solid brass copper-plated, lacquered
YON – Cm	Solid brass copper-plated, matt brushed, lacquered
YON – Br	Solid brass bronzed, lacquered
YON – Bd	Solid brass dark-bronzed, lacquered



YON G

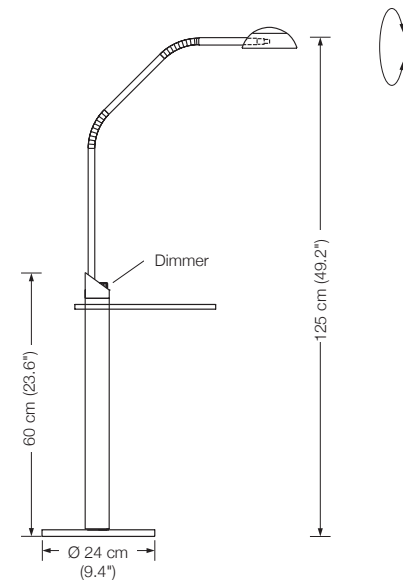
Floor reading lamp

with glass tabletop Ø 30 cm (11.8"), clear glass

Designed by: Florian Schulz

Height: adjustable
 Shade: metal Ø 12 cm (4.7"), rotatable
 Lampholder: GY6.35, max. 50 W / 12 V
 Bulb: 1 x G6 incl., 35 W $\hat{=}$ 50 W, dimmable
 Electric wire: 4 m (13.1 ft)
 Dimmer: built in

YON G – Ms	Solid brass polished, lacquered
YON G – Mt	Solid brass matt brushed, lacquered
YON G – Ni	Solid brass, nickel-plated
YON G – Nm	Solid brass nickel-plated, matt brushed
YON G – Cr	Solid brass, chrome-plated
YON G – Cu	Solid brass copper-plated, lacquered
YON G – Cm	Solid brass copper-plated, matt brushed, lacquered
YON G – Br	Solid brass bronzed, lacquered
YON G – Bd	Solid brass dark-bronzed, lacquered



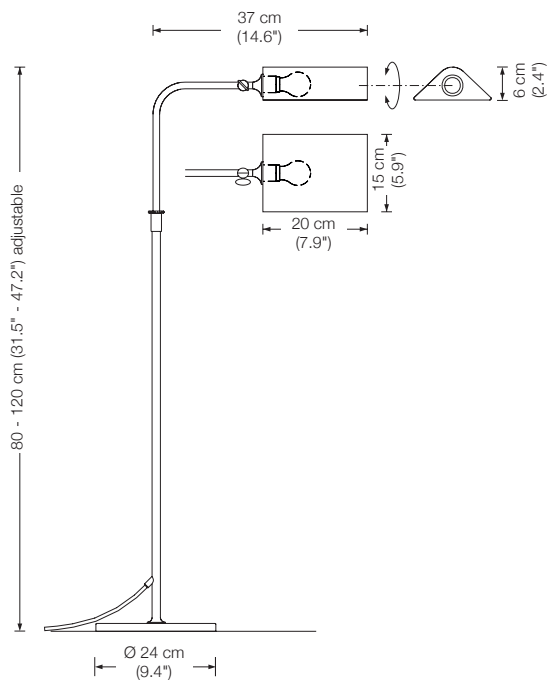
CERVANTES

Floor reading lamp

Designed by: Florian Schulz

Height: 80 - 120 cm (31.5" - 47.2") adjustable
Shade: metal, adjustable
Lampholder: E27, max. 100 W
Bulb: 1 x E27 LED á 1055 Lumen, 10,5 W incl.
2700° K, 10,5 W \triangleq 75 W, dimmable
Electric wire: 4 m (13.1 ft)
Dimmer: on cord

CERVANTES – Ms Solid brass polished, lacquered
CERVANTES – Mt Solid brass matt brushed, lacquered
CERVANTES – Ni Solid brass, nickel-plated
CERVANTES – Nm Solid brass nickel-plated, matt brushed
CERVANTES – Cr Solid brass, chrome-plated
CERVANTES – Cu Solid brass copper-plated, lacquered
CERVANTES – Cm Solid brass copper-plated, matt brushed, lacquered
CERVANTES – Br Solid brass bronzed, lacquered
CERVANTES – Bd Solid brass dark-bronzed, lacquered





BulLEYE-T

Table lamp

Designed by: Jens Schump

Height: 63 – 86 cm (24.8" – 33.9") adjustable

Shade: rotatable, Ø 8 cm (3.1")

Lampholder: Osram CoB-LED, 8,7 W, 1000 Lumen
2700 °K, dimmable

Color rendering: > 90 Ra

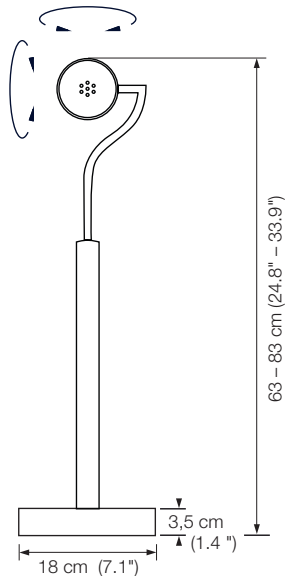
Electric wire: 3 m (9.8 ft) textile cable black (standard)

Dimmer: integrated in cord*

BulLEYE-T – Ms	Solid brass polished, lacquered
BulLEYE-T – Mt	Solid brass matt brushed, lacquered
BulLEYE-T – Ni	Solid brass, nickel-plated
BulLEYE-T – Nm	Solid brass nickel-plated, matt brushed
BulLEYE-T – Cr	Solid brass, chrome-plated
BulLEYE-T – Cu	Solid brass copper-plated, lacquered
BulLEYE-T – Cm	Solid brass copper-plated, matt brushed, lacquered
BulLEYE-T – Br	Solid brass bronzed, lacquered
BulLEYE-T – Bd	Solid brass dark-bronzed, lacquered

* Casambi-DALI Modul:

(Dimmer in the supply line is omitted)



Special finish shown: matt white.

Extendable
up to 83 cm
(32.7").





NOSTALGIA-T

Table lamp

Designed by: Jens Schump

Height: 48,5 cm (19.1")

Shade*: Silk

Colour: white or black

Shape: conical or straight

Lampholder: 1 x E27, max. 150 W

Bulb: 1 x E27 LED á 1055 Lumen,

7,8 W, 2700 °K

Electric wire: 2 m (6.5 ft)

Dimmer: on cord

NOSTALGIA-T – Ms Solid brass polished, lacquered

NOSTALGIA-T – Mt Solid brass matt brushed, lacquered

NOSTALGIA-T – Ni Solid brass, nickel-plated

NOSTALGIA-T – Nm Solid brass nickel-plated, matt brushed

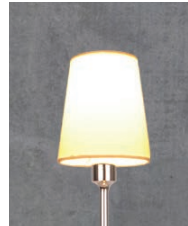
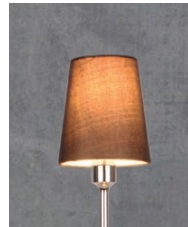
NOSTALGIA-T – Cr Solid brass, chrome-plated

NOSTALGIA-T – Cu Solid brass copper-plated, lacquered

NOSTALGIA-T – Cm Solid brass copper-plated, matt brushed, lacquered

NOSTALGIA-T – Br Solid brass bronzed, lacquered

NOSTALGIA-T – Bd Solid brass dark-bronzed, lacquered



* Please specify the desired shape when ordering.

Silk according to sample card VS Manufaktur.

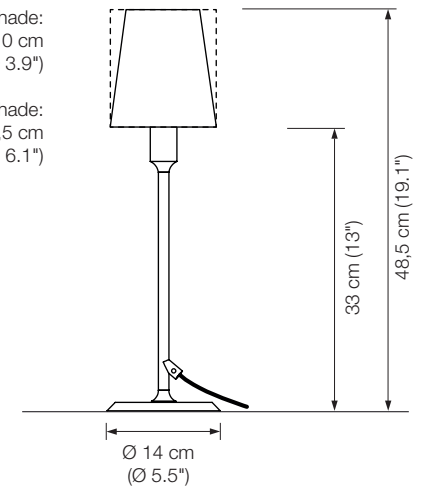
With all silk shades, you have the option of sending us your own fabric and we will manufacture your individual shade in our in-house manufactory.

If the shade is made from a different material: Surcharge according to effort.

Fabric required: 50 x 25 cm (19.7" x 9.8")

Conical Shade:
Ø 14 cm, h 15,5 cm, Ø 10 cm
(Ø 5.5", h 6.1", Ø 3.9")

Cylindrical Shade:
Ø 14 cm, h 15,5 cm
(Ø 5.5", h 6.1")



TOA

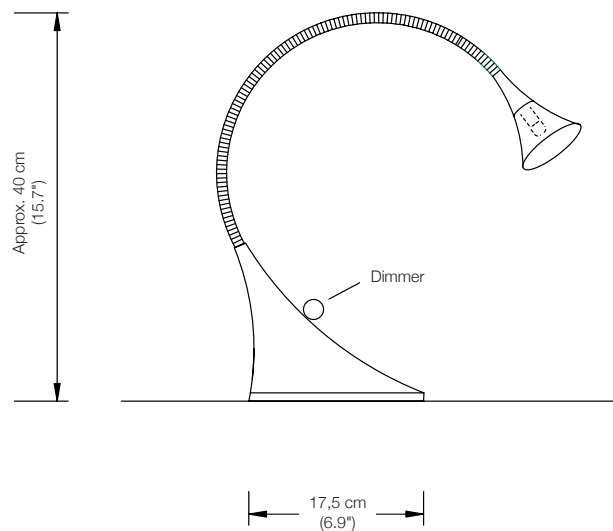
Table lamp

flexible and specially reinforced metal arm

Designed by: Florian Schulz

Height: up to max. 50 cm (19.7")
Shade: TEFLON white, Ø 7 cm (2.8")
Lampholder: GY6.35, max. 50 W / 12 V
Bulb: 1 x G6 incl., dimmable
Electric wire: 2,5 m (8.2 ft)
Dimmer: built in

TOA – Ms Solid brass polished, lacquered
TOA – Mt Solid brass matt brushed, lacquered
TOA – Ni Solid brass, nickel-plated
TOA – Nm Solid brass nickel-plated, matt brushed
TOA – Cr Solid brass, chrome-plated
TOA – Cu Solid brass copper-plated, lacquered
TOA – Cm Solid brass copper-plated, matt brushed, lacquered
TOA – Br Solid brass bronzed, lacquered
TOA – Bd Solid brass dark-bronzed, lacquered





Walnut mocha



Walnut cognac

TAU

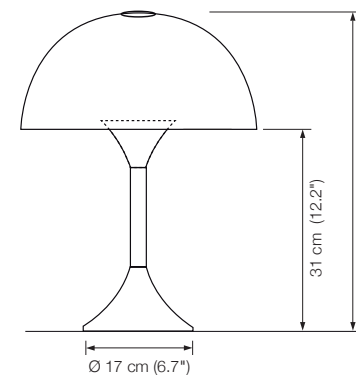
Table lamp

Designed by: Jens Schump

Height: approx. 50 cm
 Shade: glass white-opal, Ø 36 cm (14.2")
 Lampholder: 3 x E27, max. 100 Watt
 Bulb: 3 x E27 LED á 1055 Lumen, 10,5 W incl., dimmable
 Middle part: walnut mocha (standard)*
 Electric wire: 2,5 m (8.2 ft)
 Dimmer: built in

TAU – Ms Solid brass polished, lacquered
 TAU – Mt Solid brass matt brushed, lacquered
 TAU – Ni Solid brass, nickel-plated
 TAU – Nm Solid brass nickel-plated, matt brushed
 TAU – Cr Solid brass, chrome-plated
 TAU – Cu Solid brass copper-plated, lacquered
 TAU – Cm Solid brass copper-plated, matt brushed, lacquered
 TAU – Br Solid brass bronzed, lacquered
 TAU – Bd Solid brass dark-bronzed, lacquered

* Optional: walnut cognac
 Please indicate with order.



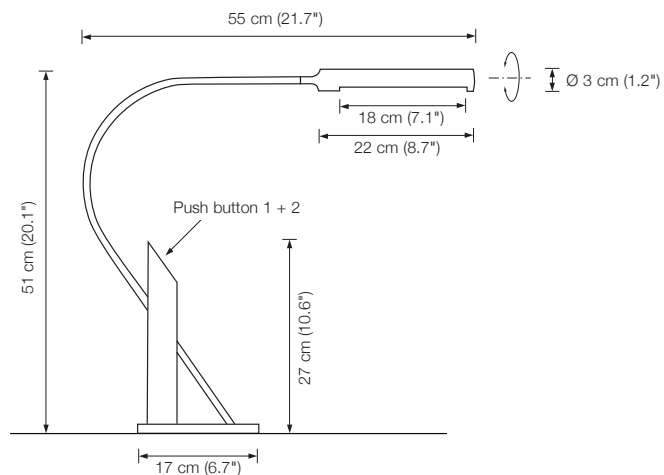
TOPAN

Table lamp

Designed by: Jens Schump

Height: 51 cm (20.1")
Width: 55 cm (21.7")
Shade: Ø 3 cm (1.2"), approx. 23 cm (9.1") long, 180° rotatable
Bulb: LED-Line TW (approx. 12,5 W) incl., exchangeable
approx. 1330 Lumen
dimmable
Push button 1: tuning white infinitely variable from 2700° – 5700° K
Push button 2: on / off / dimming
Color rendering: > 95 Ra
Electric wire: 3 m (9.8 ft) textile cable black (*standard*)
Dimmer: built in

TOPAN – Ms Solid brass polished, lacquered
TOPAN – Mt Solid brass matt brushed, lacquered
TOPAN – Ni Solid brass, nickel-plated
TOPAN – Nm Solid brass nickel-plated, matt brushed
TOPAN – Cr Solid brass, chrome-plated
TOPAN – Cu Solid brass copper-plated, lacquered
TOPAN – Cm Solid brass copper-plated, matt brushed, lacquered
TOPAN – Br Solid brass bronzed, lacquered
TOPAN – Bd Solid brass dark-bronzed, lacquered





ORA

Table lamp

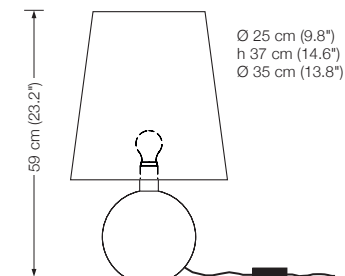
Designed by: Florian Schulz

Shade: Silk*
 Lampholder: E27, max. 100 W
 Bulb: 1 x E27 LED á 1055 Lumen, 10,5 W incl.
 2700° K, 11 W $\hat{=}$ 75 W, dimmable
 Electric wire: 3 m (9.8 ft)
 Dimmer: on cord

ORA 20

Metal ball Ø 20 cm (7.9")
 Height: 59 cm (23.2")

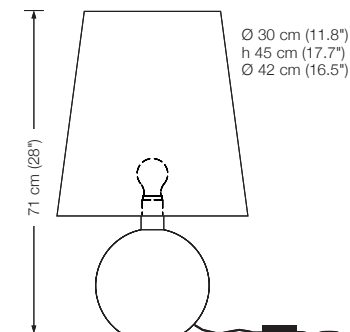
ORA 20 – Ms Solid brass polished, lacquered
 ORA 20 – Mt Solid brass matt brushed, lacquered
 ORA 20 – Ni Solid brass, nickel-plated
 ORA 20 – Nm Solid brass nickel-plated, matt brushed
 ORA 20 – Cr Solid brass, chrome-plated
 ORA 20 – Cu Solid brass copper-plated, lacquered
 ORA 20 – Cm Solid brass copper-plated, matt brushed, lacquered
 ORA 20 – Br Solid brass bronzed, lacquered
 ORA 20 – Bd Solid brass dark-bronzed, lacquered



ORA 25

Metal ball Ø 25 cm (9.8")
 Height: 71 cm (28")

ORA 25 – Ms Solid brass polished, lacquered
 ORA 25 – Mt Solid brass matt brushed, lacquered
 ORA 25 – Ni Solid brass, nickel-plated
 ORA 25 – Nm Solid brass nickel-plated, matt brushed
 ORA 25 – Cr Solid brass, chrome-plated
 ORA 25 – Cu Solid brass copper-plated, lacquered
 ORA 25 – Cm Solid brass copper-plated, matt brushed, lacquered
 ORA 25 – Br Solid brass bronzed, lacquered
 ORA 25 – Bd Solid brass dark-bronzed, lacquered



* Silk according to sample card VS Manufaktur.

With all silk shades, you have the option of sending us your own fabric and we will manufacture your individual shade in our in-house manufactory.

If the shade is made from a different material: Surcharge according to effort.

Fabric required ORA 20: 120 x 60 cm (47.2" x 23.6")

Fabric required ORA 25: 140 x 70 cm (55.1" x 27.6")

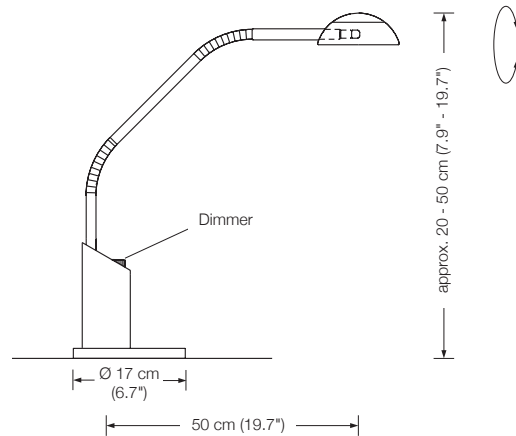
YON T

Table lamp

Designed by: Florian Schulz

Shade: metal Ø 12 cm (4.7"), adjustable
Lampholder: GY6.35, max. 50 W / 12 V
Bulb: 1 x G6 incl., 35 W $\hat{=}$ 50 W, dimmable
Electric wire: 2,5 m (8.2 ft)
Dimmer: built in

YON T - Ms Solid brass polished, lacquered
YON T - Mt Solid brass matt brushed, lacquered
YON T - Ni Solid brass, nickel-plated
YON T - Nm Solid brass nickel-plated, matt brushed
YON T - Cr Solid brass, chrome-plated
YON T - Cu Solid brass copper-plated, lacquered
YON T - Cm Solid brass copper-plated, matt brushed, lacquered
YON T - Br Solid brass bronzed, lacquered
YON T - Bd Solid brass dark-bronzed, lacquered



ESA

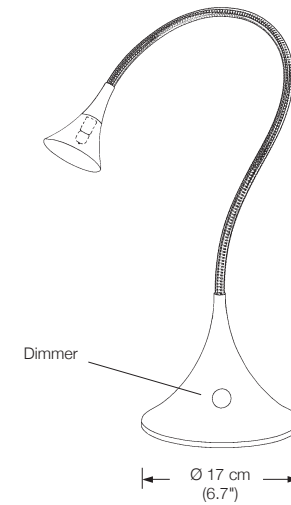
Table lamp

flexible and specially reinforced metal arm

Designed by: Florian Schulz

Height: up to 50 cm (19.7")
Shade: TEFLON white, Ø 7 cm (2.8")
Lampholder: GY6.35, max. 50 W
Bulb: 1 x G6 incl., 35 W $\hat{=}$ 50 W, dimmable
Electric wire: 2,5 m (8.2 ft)
Dimmer: built in

ESA – Ms Solid brass polished, lacquered
ESA – Mt Solid brass matt brushed, lacquered
ESA – Ni Solid brass, nickel-plated
ESA – Nm Solid brass nickel-plated, matt brushed
ESA – Cr Solid brass, chrome-plated
ESA – Cu Solid brass copper-plated, lacquered
ESA – Cm Solid brass copper-plated, matt brushed, lacquered
ESA – Br Solid brass bronzed, lacquered
ESA – Bd Solid brass dark-bronzed, lacquered



ELAS

Table lamp

Designed by: Florian Schulz

Height: 50 - 70 cm (19.7" - 27.6") adjustable
Shade: metal Ø 28 cm (11")
Lampholder: E27, max. 100 W
Bulb: 1 x E27 LED á 1055 Lumen, 10,5 W incl.
2700° K, 11 W $\hat{=}$ 75 W, dimmable
Electric wire: 2,5 m (8.2 ft)
Dimmer: on cord

ELAS – Ms Solid brass polished, lacquered
ELAS – Mt Solid brass matt brushed, lacquered
ELAS – Ni Solid brass, nickel-plated
ELAS – Nm Solid brass nickel-plated, matt brushed
ELAS – Cr Solid brass, chrome-plated
ELAS – Cu Solid brass copper-plated, lacquered
ELAS – Cm Solid brass copper-plated, matt brushed, lacquered
ELAS – Br Solid brass bronzed, lacquered
ELAS – Bd Solid brass dark-bronzed, lacquered

ELAS S

Table lamp

Designed by: Florian Schulz

Height: 50 - 70 cm (19.7" - 27.6") adjustable
Shade: Silk* Ø 28 cm (11")
Lampholder: E27, max. 100 W
Bulb: 1 x E27 LED á 1055 Lumen, 10,5 W incl.
2700° K, 11 W $\hat{=}$ 75 W, dimmable
Electric wire: 2,5 m (8.2 ft)
Dimmer: on cord

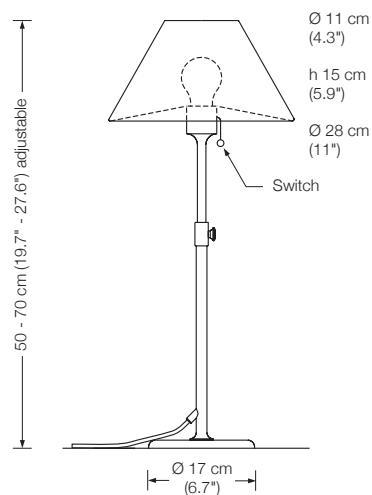
ELAS S – Ms Solid brass polished, lacquered
ELAS S – Mt Solid brass matt brushed, lacquered
ELAS S – Ni Solid brass, nickel-plated
ELAS S – Nm Solid brass nickel-plated, matt brushed
ELAS S – Cr Solid brass, chrome-plated
ELAS S – Cu Solid brass copper-plated, lacquered
ELAS S – Cm Solid brass copper-plated, matt brushed, lacquered
ELAS S – Br Solid brass bronzed, lacquered
ELAS S – Bd Solid brass dark-bronzed, lacquered

* Silk according to sample card VS Manufaktur.

With all silk shades, you have the option of sending us your own fabric and we will manufacture your individual shade in our in-house manufactory.

If the shade is made from a different material: Surcharge according to effort.

Fabric required: 50 x 80 cm (19.7" x 31.5")





TES

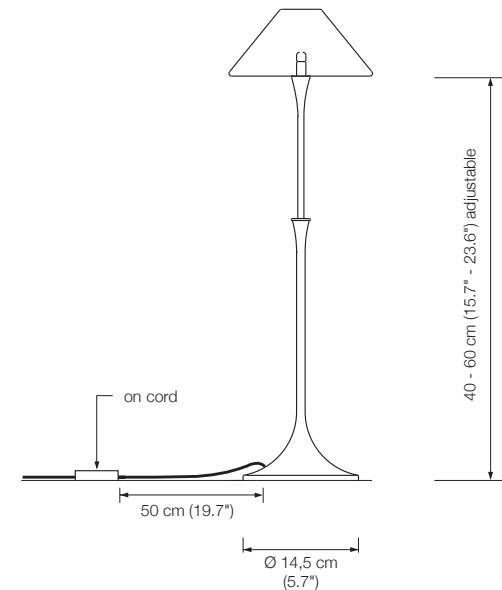
Table lamp

Designed by: Florian Schulz

Height: 40 - 60 cm (15.7" - 23.6") adjustable
Shade: TEFLON white, Ø 18 cm (7.1")
Lampholder: GY6.35, max. 50 W / 12 V
Bulb: 1 x G6 incl., 35 W $\hat{=}$ 50 W, dimmable
Electric wire: 2,5 m (8.2 ft)
Dimmer: on cord*

TES – Ms	Solid brass polished, lacquered
TES – Mt	Solid brass matt brushed, lacquered
TES – Ni	Solid brass, nickel-plated
TES – Nm	Solid brass nickel-plated, matt brushed
TES – Cr	Solid brass, chrome-plated
TES – Cu	Solid brass copper-plated, lacquered
TES – Cm	Solid brass copper-plated, matt brushed, lacquered
TES – Br	Solid brass bronzed, lacquered
TES – Bd	Solid brass dark-bronzed, lacquered

* Touchtronic only on request.



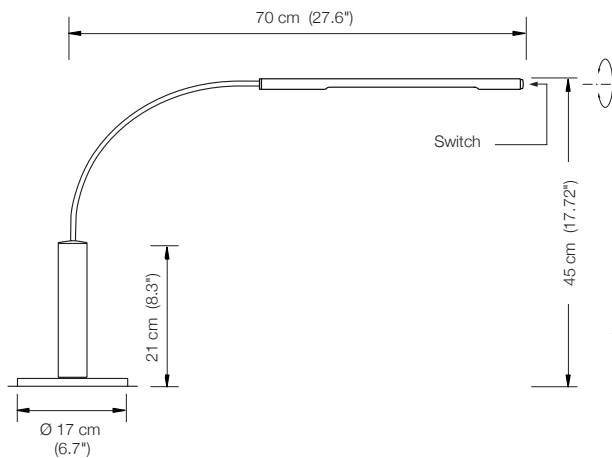
PIN T *Discontinued Model. Only while stocks last.*

Desk lamp

Designed by: Florian Schulz

Height: 45 cm (17.7")
Width: 70 cm (27.6")
Shade: rotatable
Bulb: 1 x LED 150 (approx. 6 Watt) incl.
exchangeable
approx. 600 Lumen
Color temperature: warmwhite 2700 K
Color rendering: > 90 Ra
Electric wire: 3 m (9.8 ft)

PIN T – Ms Solid brass polished, lacquered
PIN T – Mt Solid brass matt brushed, lacquered
PIN T – Ni Solid brass, nickel-plated
PIN T – Nm Solid brass nickel-plated, matt brushed
PIN T – Cr Solid brass, chrome-plated
PIN T – Cu Solid brass copper-plated, lacquered
PIN T – Cm Solid brass copper-plated, matt brushed, lacquered
PIN T – Br Solid brass bronzed, lacquered
PIN T – Bd Solid brass dark-bronzed, lacquered





TOLED

Desk lamp

Designed by: Florian Schulz

Height: 45 cm (17.7")

Width: 70 cm (27.6")

Shade: rotatable

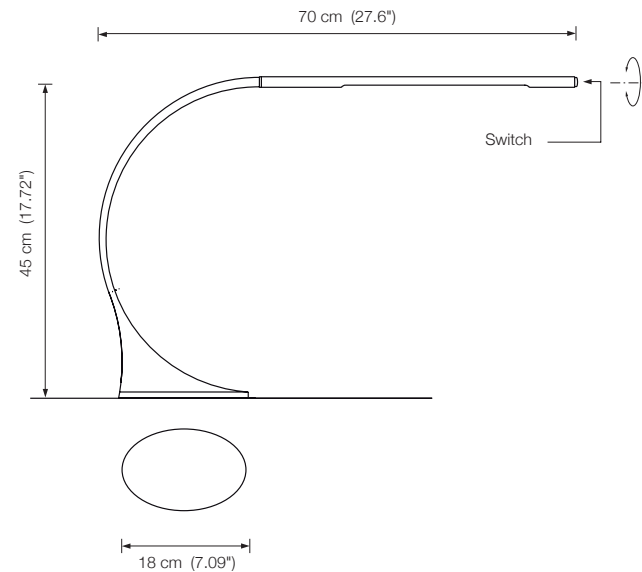
Bulb: 1 x LED 150 (approx. 6 Watt) incl.
exchangeable
approx. 600 Lumen

Color temperature: warmwhite 2700 K

Color rendering: > 90 Ra

Electric wire: 2,5 m (8.2 ft)

- TOLED – Ms Solid brass polished, lacquered
- TOLED – Mt Solid brass matt brushed, lacquered
- TOLED – Ni Solid brass, nickel-plated
- TOLED – Nm Solid brass nickel-plated, matt brushed
- TOLED – Cr Solid brass, chrome-plated
- TOLED – Cu Solid brass copper-plated, lacquered
- TOLED – Cm Solid brass copper-plated, matt brushed, lacquered
- TOLED – Br Solid brass bronzed, lacquered
- TOLED – Bd Solid brass dark-bronzed, lacquered



NOSTALGIA-W

Wall lamp

Designed by: Jens Schump

Height: 31 cm (12.2")

Width: 19 cm (7.5")

Shade*: Silk

Colour: white or black

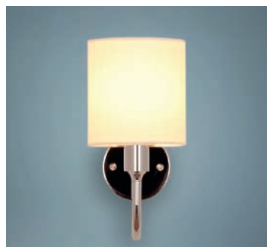
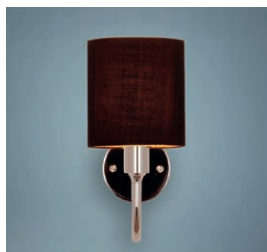
Shape: conical or straight

Lampholder: 1 x E27, max. 150 W

Bulb: 1 x E27 LED á 1055 Lumen,
7,8 W, 2700 °K, dimmable

Dimmer: possible via house installation (standard)*

NOSTALGIA-W – Ms	Solid brass polished, lacquered
NOSTALGIA-W – Mt	Solid brass matt brushed, lacquered
NOSTALGIA-W – Ni	Solid brass, nickel-plated
NOSTALGIA-W – Nm	Solid brass nickel-plated, matt brushed
NOSTALGIA-W – Cr	Solid brass, chrome-plated
NOSTALGIA-W – Cu	Solid brass copper-plated, lacquered
NOSTALGIA-W – Cm	Solid brass copper-plated, matt brushed, lacquered
NOSTALGIA-W – Br	Solid brass bronzed, lacquered
NOSTALGIA-W – Bd	Solid brass dark-bronzed, lacquered



* Please specify the desired shape when ordering.
Silk according to sample card VS Manufaktur.

With all silk shades, you have the option of sending us your own fabric and we will manufacture your individual shade in our in-house manufactory.

If the shade is made from a different material:
Surcharge according to effort.

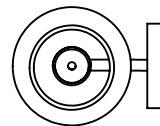
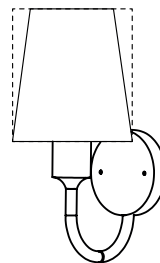
Fabric required: 50 x 25 cm (19.7" x 9.8")

** LUN-DALI 25 W or Casambi Modul

Alternatively, we recommend (without obligation)

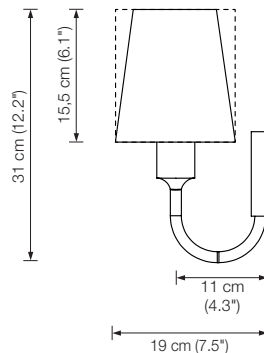
the following dimmer brands:

- | | |
|-----------------------------|------------------------|
| - Jung 1731DD | - Busch-Jaeger 64851U |
| - Gira 540100 (System 3000) | - Kopp 8455 |
| - Feller 40200 | - Eltako EUD61NPL-230V |
| - Berker 85421100 | |



Conical Shade:
Ø 14 cm, h 15,5 cm, Ø 10 cm
(Ø 5.5", h 6.1", Ø 3.9")

Cylindrical Shade:
Ø 14 cm, h 15,5 cm
(Ø 5.5", h 6.1")





PIN W dim

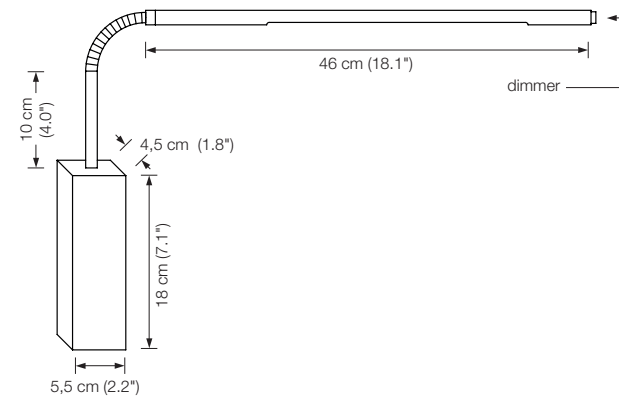
Wall lamp

Designed by: Jens Schump

Height: 35 cm (13.8")
 Width: 60 cm (23.6")
 Bulb: 1 x LED-Line 150 (approx. 8,4 Watt) incl. exchangeable approx. 840 Lumen

Color temperature: warmwhite 2700 K
 Color rendering: > 90 Ra
 Dimmer: built in

PIN W dim – Ms Solid brass polished, lacquered
 PIN W dim – Mt Solid brass matt brushed, lacquered
 PIN W dim – Ni Solid brass, nickel-plated
 PIN W dim – Nm Solid brass nickel-plated, matt brushed
 PIN W dim – Cr Solid brass, chrome-plated
 PIN W dim – Cu Solid brass copper-plated, lacquered
 PIN W dim – Cm Solid brass copper-plated, matt brushed, lacquered
 PIN W dim – Br Solid brass bronzed, lacquered
 PIN W dim – Bd Solid brass dark-bronzed, lacquered



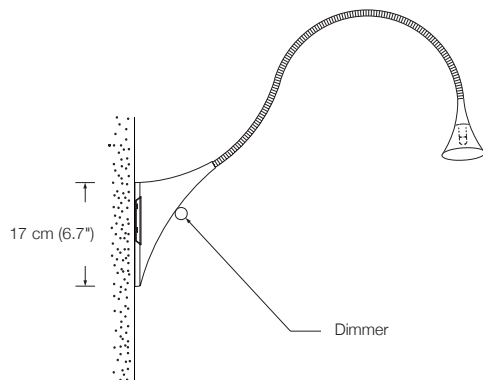
VAO

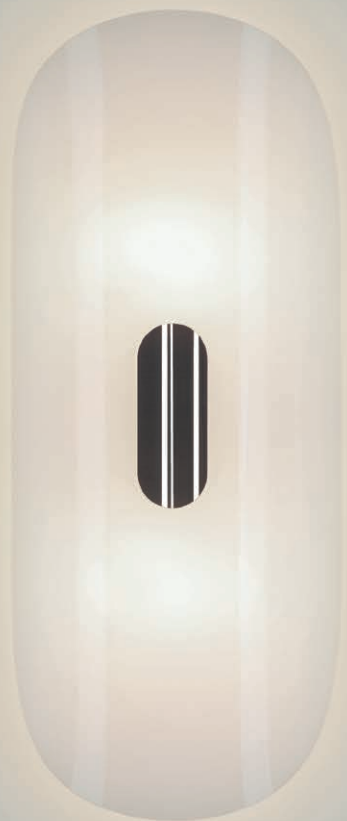
Wall lamp,
flexible and specially reinforced metal arm

Designed by: Florian Schulz

Height: approx. 44 cm (17.3")
Shade: TEFLON white, Ø 7 cm (2.8")
Lampholder: GY6.35, max. 20 W / 12 V
Bulb: 1 x G6 incl., 35 W $\hat{=}$ 50 W, dimmable
Dimmer: built in

VAO – Ms Solid brass polished, lacquered
VAO – Mt Solid brass matt brushed, lacquered
VAO – Ni Solid brass, nickel-plated
VAO – Nm Solid brass nickel-plated, matt brushed
VAO – Cr Solid brass, chrome-plated
VAO – Cu Solid brass copper-plated, lacquered
VAO – Cm Solid brass copper-plated, matt brushed, lacquered
VAO – Br Solid brass bronzed, lacquered
VAO – Bd Solid brass dark-bronzed, lacquered





GEA

Wall lamp

Designed by: Florian Schulz

Height: 43 cm (16.9")
 Shade: glass white-opal
 Lampholder: 2 x E27, max. 2 x 100 W
 Bulb: 2 x E27 LED á 1055 Lumen, 10,5 W incl., dimmable
 Dimmer: on site

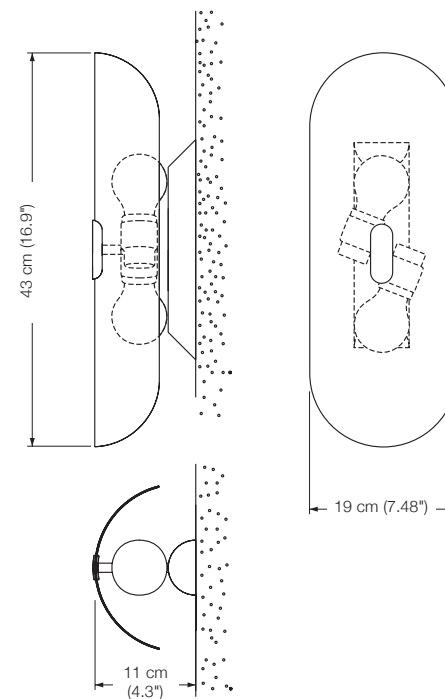
GEA – Ms	Solid brass polished, lacquered
GEA – Mt	Solid brass matt brushed, lacquered
GEA – Ni	Solid brass, nickel-plated
GEA – Nm	Solid brass nickel-plated, matt brushed
GEA – Cr	Solid brass, chrome-plated
GEA – Cu	Solid brass copper-plated, lacquered
GEA – Cm	Solid brass copper-plated, matt brushed, lacquered
GEA – Br	Solid brass bronzed, lacquered
GEA – Bd	Solid brass dark-bronzed, lacquered

* LUN-DALI 300 W or Casambi Module

Alternatively, we recommend *(without obligation)*

the following dimmer brands:

- Jung 1731DD
- Gira 540100 (System 3000)
- Feller 40200
- Berker 85421100
- Busch-Jaeger 64851U
- Kopp 8455
- Eltako EUD61NPL-230V



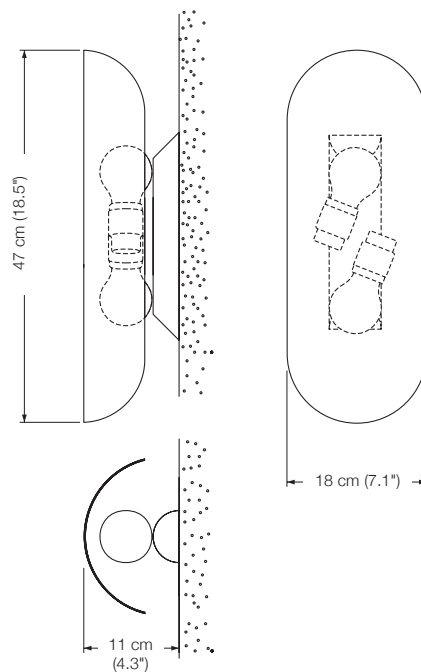
ALIA

Wall lamp, indirect light

Designed by: Florian Schulz

Height: 47 cm (18.5")
Shade: metal
Lampholder: 2 x E27, max. 2 x 100 W
Bulb: 2 x E27 LED á 1055 Lumen, 10,5 W incl., dimmable
Dimmer: possible via house installation (*standard*)*

ALIA – Ms Solid brass polished, lacquered
ALIA – Mt Solid brass matt brushed, lacquered
ALIA – Ni Solid brass, nickel-plated
ALIA – Nm Solid brass nickel-plated, matt brushed
ALIA – Cr Solid brass, chrome-plated
ALIA – Cu Solid brass copper-plated, lacquered
ALIA – Cm Solid brass copper-plated, matt brushed, lacquered
ALIA – Br Solid brass bronzed, lacquered
ALIA – Bd Solid brass dark-bronzed, lacquered



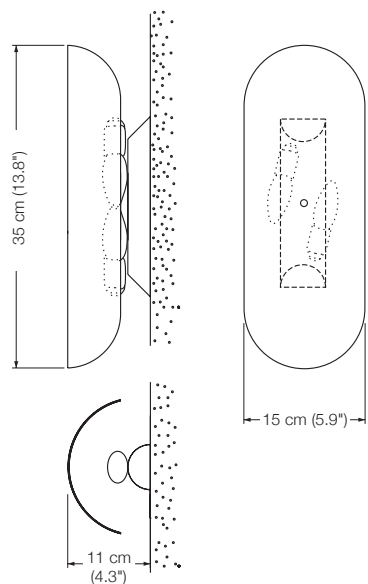
ALEA

Wall lamp, indirect light

Designed by: Florian Schulz + Jens Schump

Height: 35 cm (13.8")
Shade: metal
Lampholder: 2 x E14, max. 60W
Bulb: 2 x E14 LED á 806 Lumen, 2700° K, 8 W incl., dimmable
Dimmer: possible via house installation (*standard*)*

ALEA – Ms Solid brass polished, lacquered
ALEA – Mt Solid brass matt brushed, lacquered
ALEA – Ni Solid brass, nickel-plated
ALEA – Nm Solid brass nickel-plated, matt brushed
ALEA – Cr Solid brass, chrome-plated
ALEA – Cu Solid brass copper-plated, lacquered
ALEA – Cm Solid brass copper-plated, matt brushed, lacquered
ALEA – Br Solid brass bronzed, lacquered
ALEA – Bd Solid brass dark-bronzed, lacquered



* LUN-DALI 300 W or Casambi Module

Alternatively, we recommend (*without obligation*)

the following dimmer brands:

- Jung 1731DD - Feller 40200 - Busch-Jaeger 64851U - Eltako EUD61NPL-230V
- Gira 540100 (*System 3000*) - Berker 85421100 - Kopp 8455





BEO

Wall and Stairway lamp
direct and indirect light
glass diffuser top and bottom

Designed by: Florian Schulz

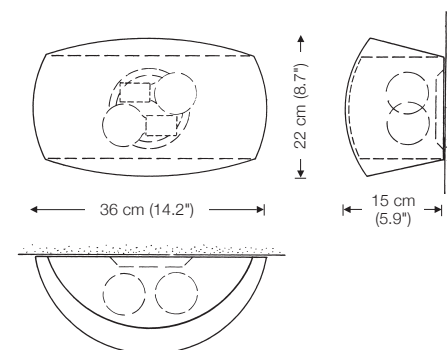
Width: 36 cm (14.2")
 Lampholder: 2 x E27, max. 2 x 100 W
 Bulb: 2 x E27 LED á 1055 Lumen, 10,5 W incl., dimmable
 2700° K, 11 W $\hat{=}$ 75 W
 Dimmer: possible via house installation (*standard*)*

BEO – Ms	Solid brass polished, lacquered
BEO – Mt	Solid brass matt brushed, lacquered
BEO – Ni	Solid brass, nickel-plated
BEO – Nm	Solid brass nickel-plated, matt brushed
BEO – Cr	Solid brass, chrome-plated
BEO – Cu	Solid brass copper-plated, lacquered
BEO – Cm	Solid brass copper-plated, matt brushed, lacquered
BEO – Br	Solid brass bronzed, lacquered
BEO – Bd	Solid brass dark-bronzed, lacquered

* LUN-DALI 300 W or Casambi Module

Alternatively, we recommend (*without obligation*)
 the following dimmer brands:

- Jung 1731DD
- Gira 540100 (*System 3000*)
- Feller 40200
- Berker 85421100
- Busch-Jaeger 64851U
- Kopp 8455
- Eltako EUD61NPL-230V



WED

Wall lamp

Designed by: Florian Schulz

Width: 40 cm (15.7")

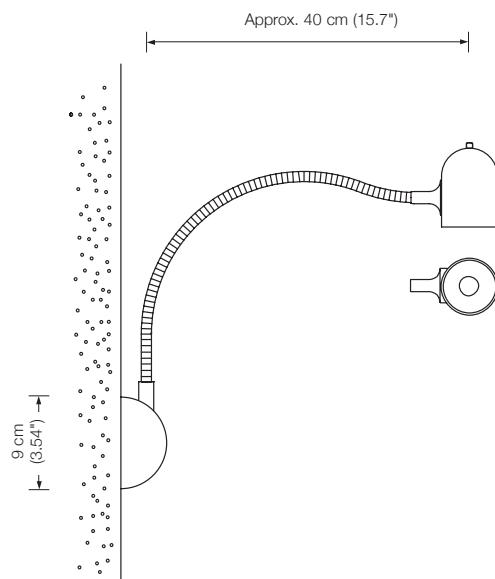
Lampholder: GU5.3

Bulb: 1 x GU5.3 incl.
approx. 660 Lumen

Color temperature: warmwhite 2700 K

Color rendering: > 90 Ra

WED – Ms	Solid brass polished, lacquered
WED – Mt	Solid brass matt brushed, lacquered
WED – Ni	Solid brass, nickel-plated
WED – Nm	Solid brass nickel-plated, matt brushed
WED – Cr	Solid brass, chrome-plated
WED – Cu	Solid brass copper-plated, lacquered
WED – Cm	Solid brass copper-plated, matt brushed, lacquered
WED – Br	Solid brass bronzed, lacquered
WED – Bd	Solid brass dark-bronzed, lacquered



ERA 33

Wall lamp

Designed by: Florian Schulz

Width: 33 cm (13")
bottom glass diffuser
Lampholder: 2 x G9, max. 2 x 75 W / 230 V
Bulb: 2 x G9, 60 W incl.
Dimmer: possible via house installation (standard)*

ERA 33 – Ms Solid brass polished, lacquered
ERA 33 – Mt Solid brass matt brushed, lacquered
ERA 33 – Ni Solid brass, nickel-plated
ERA 33 – Nm Solid brass nickel-plated, matt brushed
ERA 33 – Cr Solid brass, chrome-plated
ERA 33 – Cu Solid brass copper-plated, lacquered
ERA 33 – Cm Solid brass copper-plated, matt brushed, lacquered
ERA 33 – Br Solid brass bronzed, lacquered
ERA 33 – Bd Solid brass dark-bronzed, lacquered

Optional: Additional top glass diffuser

Please indicate with order.

ERA 40

Wall lamp

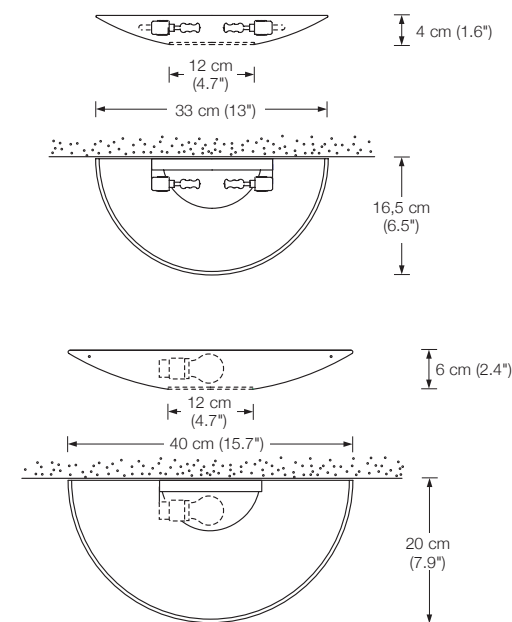
Designed by: Florian Schulz

Width: 40 cm (15.7")
bottom glass diffuser
Lampholder: E27, max. 100 W
Bulb: 1 x E27, 14,5 W incl.
Dimmer: possible via house installation (standard)*

ERA 40 – Ms Solid brass polished, lacquered
ERA 40 – Mt Solid brass matt brushed, lacquered
ERA 40 – Ni Solid brass, nickel-plated
ERA 40 – Nm Solid brass nickel-plated, matt brushed
ERA 40 – Cr Solid brass, chrome-plated
ERA 40 – Cu Solid brass copper-plated, lacquered
ERA 40 – Cm Solid brass copper-plated, matt brushed, lacquered
ERA 40 – Br Solid brass bronzed, lacquered
ERA 40 – Bd Solid brass dark-bronzed, lacquered

Optional: Additional top glass diffuser

Please indicate with order.



* Alternatively, we recommend (without obligation) the following dimmer brands:

- Jung 1731DD - Feller 40200 - Busch-Jaeger 64851U - Eltako EUD61NPL-230V
- Gira 540100 (System 3000) - Berker 85421100 - Kopp 8455



BLOC *Discontinued Model. Only while stocks last.*

Wall lamp

Designed by: Florian Schulz

Height: 5 cm (1.97")

Width: 32 cm (12.6")

Depth: 4 cm (1.6")

Bulb: 2 x LED 150 (approx. 12 Watt) incl.
exchangeable
approx. 1200 Lumen

Color temperature: warmwhite 2700 K

Color rendering: > 90 Ra

Dimmer: possible via house installation (*standard*)*

BLOC – Ms Solid brass polished, lacquered

BLOC – Mt Solid brass matt brushed, lacquered

BLOC – Ni Solid brass, nickel-plated

BLOC – Nm Solid brass nickel-plated, matt brushed

BLOC – Cr Solid brass, chrome-plated

BLOC – Cu Solid brass copper-plated, lacquered

BLOC – Cm Solid brass copper-plated, matt brushed, lacquered

BLOC – Br Solid brass bronzed, lacquered

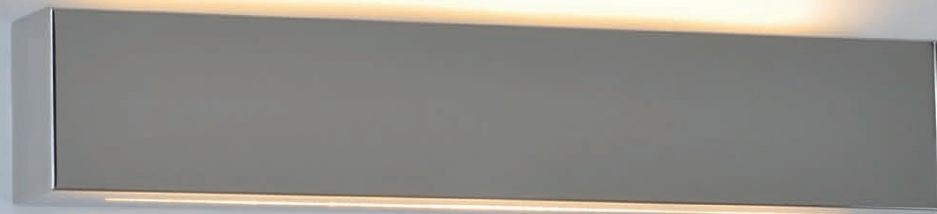
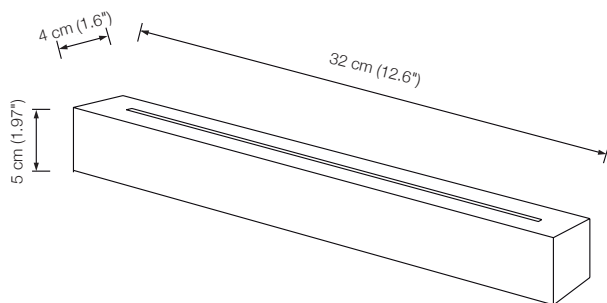
BLOC – Bd Solid brass dark-bronzed, lacquered

* LUN-DALI 300 W or Casambi Module

Alternatively, we recommend (*without obligation*)

the following dimmer brands:

- Jung 1731DD
- Gira 540100 (*System 3000*)
- Feller 40200
- Berker 85421100
- Busch-Jaeger 64851U
- Kopp 8455
- Eitako EUD61NPL-230V



NOSTALGIA-D

Ceiling lamp

Designed by: Jens Schump

Height: ca. 92 cm (36.2")

Shade*: 2 x Silk

Colour: white or black

Shape: conical or straight

Lampholder: 2 x E27, max. 150 W

Bulb: 2 x E27 LED á 1055 Lumen,
7,8 W, 2700 °K, dimmable

Dimmer: possible via house installation (*standard*)**

NOSTALGIA-D – Ms Solid brass polished, lacquered

NOSTALGIA-D – Mt Solid brass matt brushed, lacquered

NOSTALGIA-D – Ni Solid brass, nickel-plated

NOSTALGIA-D – Nm Solid brass nickel-plated, matt brushed

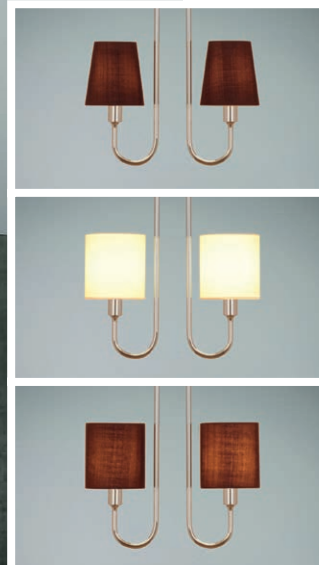
NOSTALGIA-D – Cr Solid brass, chrome-plated

NOSTALGIA-D – Cu Solid brass copper-plated, lacquered

NOSTALGIA-D – Cm Solid brass copper-plated, matt brushed, lacquered

NOSTALGIA-D – Br Solid brass bronzed, lacquered

NOSTALGIA-D – Bd Solid brass dark-bronzed, lacquered



* Please specify the desired shape when ordering.
Silk according to sample card VS Manufaktur.

With all silk shades, you have the option of sending us your own fabric and we will manufacture your individual shade in our in-house manufactory.

If the shade is made from a different material:

Surcharge according to effort.

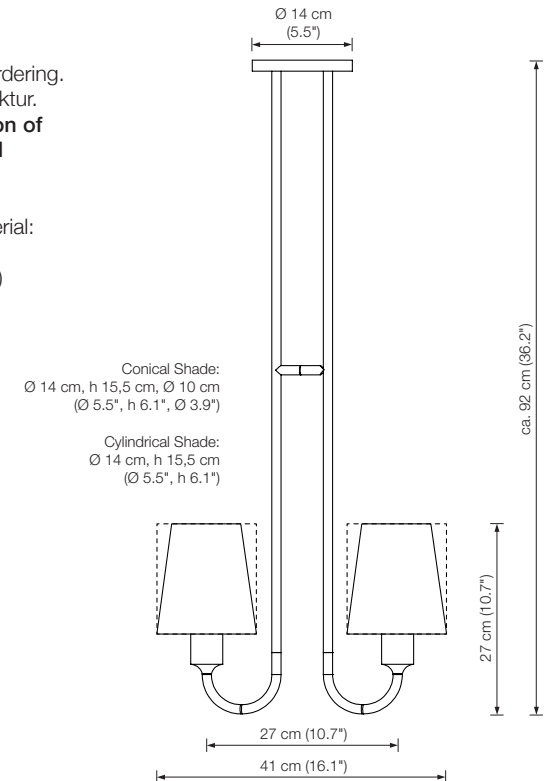
Fabric required: 50 x 25 cm (19.7" x 9.8")

** LUN-DALI 300 W or Casambi Module

Alternatively, we recommend (*without obligation*)

the following dimmer brands:

- Jung 1731DD
- Gira 540100 (*System 3000*)
- Feller 40200
- Berker 85421100
- Busch-Jaeger 64851U
- Kopp 8455
- Eitako EUD61NPL-230V



EREA 55

Ceiling lamp

Designed by: Florian Schulz

Height: standard 60 cm (23.6")
or on request
(min. 40 cm (15.7") to max. 200 cm (78.7"))
Shade: glass white-opal Ø 55 cm (21.7")
Lampholder: 6 x E14, max. 6 x 60 W
Dimmer: possible via house installation (*standard*)*

EREA 55 – Ms Solid brass polished, lacquered
EREA 55 – Mt Solid brass matt brushed, lacquered
EREA 55 – Ni Solid brass, nickel-plated
EREA 55 – Nm Solid brass nickel-plated, matt brushed
EREA 55 – Cr Solid brass, chrome-plated
EREA 55 – Cu Solid brass copper-plated, lacquered
EREA 55 – Cm Solid brass copper-plated, matt brushed, lacquered
EREA 55 – Br Solid brass bronzed, lacquered
EREA 55 – Bd Solid brass dark-bronzed, lacquered

EREA 80

Ceiling lamp

Designed by: Florian Schulz

Height: standard 100 cm (39.4")
or on request
(min. 60 cm (23.6") to max. 200 cm (78.7"))
Shade: glass white-opal Ø 80 cm (31.5")
Lampholder: 6 x E27, max. 6 x 205 W
Dimmer: possible via house installation (*standard*)*

EREA 80 – Ms Solid brass polished, lacquered
EREA 80 – Mt Solid brass matt brushed, lacquered
EREA 80 – Ni Solid brass, nickel-plated
EREA 80 – Nm Solid brass nickel-plated, matt brushed
EREA 80 – Cr Solid brass, chrome-plated
EREA 80 – Cu Solid brass copper-plated, lacquered
EREA 80 – Cm Solid brass copper-plated, matt brushed, lacquered
EREA 80 – Br Solid brass bronzed, lacquered
EREA 80 – Bd Solid brass dark-bronzed, lacquered

* LUN-DALI 300 W or Casambi Module

Alternatively, we recommend (*without obligation*)

the following dimmer brands:

- Jung 1731DD

- Gira 540100 (*System 3000*)

- Feller 40200

- Berker 85421100

- Busch-Jaeger 64851U

- Kopp 8455

- Eltako EUD61NPL-230V





SOLA 80

Ceiling lamp
direct and indirect light
bottom glass diffuser

Designed by: Florian Schulz

Height: 36 - 65 cm (14.2" - 25.6") adjustable
 special length on request
 Shade: metal Ø 80 cm (31.5")
 Lampholder: R7s, max. 500 W
 Bulb: 1 x R7s incl.
 Dimmer: possible via house installation (*standard*)*

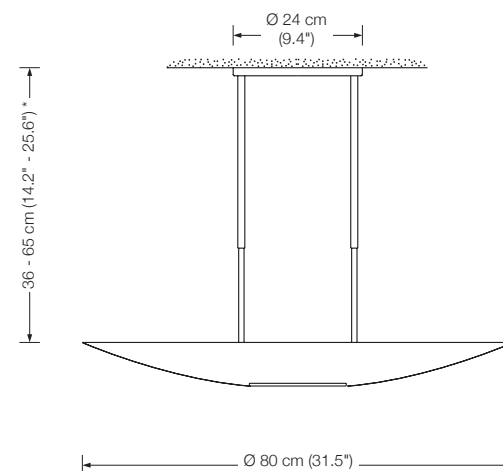
SOLA 80 – Ms	Solid brass polished, lacquered
SOLA 80 – Mt	Solid brass matt brushed, lacquered
SOLA 80 – Ni	Solid brass, nickel-plated
SOLA 80 – Nm	Solid brass nickel-plated, matt brushed
SOLA 80 – Cr	Solid brass, chrome-plated
SOLA 80 – Cu	Solid brass copper-plated, lacquered
SOLA 80 – Cm	Solid brass copper-plated, matt brushed, lacquered
SOLA 80 – Br	Solid brass bronzed, lacquered
SOLA 80 – Bd	Solid brass dark-bronzed, lacquered

* LUN-DALI 300 W or Casambi Module

Alternatively, we recommend (*without obligation*)

the following dimmer brands:

- Jung 1731DD	- Busch-Jaeger 64851U
- Gira 540100 (<i>System 3000</i>)	- Kopp 8455
- Feller 40200	- Eltako EUD61NPL-230V
- Berker 85421100	



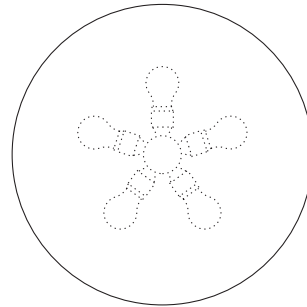
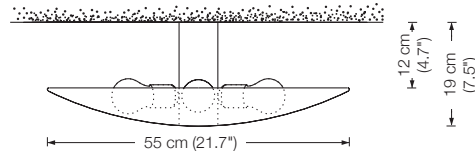
SELA 55

Ceiling lamp, indirect lighting

Designed by: Florian Schulz

Shade: metal Ø 55 cm (21.7")
 Lampholder: 5 x E27, max. 5 x 100 W
 Dimmer: possible via house installation (standard)*

SELA 55 – Ms Solid brass polished, lacquered
 SELA 55 – Mt Solid brass matt brushed, lacquered
 SELA 55 – Ni Solid brass, nickel-plated
 SELA 55 – Nm Solid brass nickel-plated, matt brushed
 SELA 55 – Cr Solid brass, chrome-plated
 SELA 55 – Cu Solid brass copper-plated, lacquered
 SELA 55 – Cm Solid brass copper-plated, matt brushed, lacquered
 SELA 55 – Br Solid brass bronzed, lacquered
 SELA 55 – Bd Solid brass dark-bronzed, lacquered
 By request: 5 x E27 LED-bulb (75 W)
 Please indicate with order.



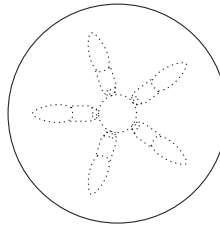
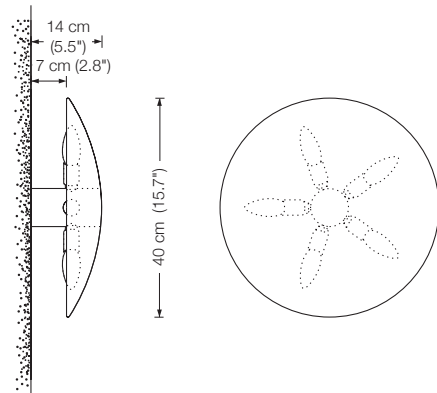
SELA 40

Ceiling lamp, indirect lighting

Designed by: Florian Schulz

Shade: metal Ø 40 cm (15.7")
 Lampholder: 5 x E14, max. 5 x 60 W
 Dimmer: possible via house installation (standard)*

SELA 40 – Ms Solid brass polished, lacquered
 SELA 40 – Mt Solid brass matt brushed, lacquered
 SELA 40 – Ni Solid brass, nickel-plated
 SELA 40 – Nm Solid brass nickel-plated, matt brushed
 SELA 40 – Cr Solid brass, chrome-plated
 SELA 40 – Cu Solid brass copper-plated, lacquered
 SELA 40 – Cm Solid brass copper-plated, matt brushed, lacquered
 SELA 40 – Br Solid brass bronzed, lacquered
 SELA 40 – Bd Solid brass dark-bronzed, lacquered
 By request: 5 x E14 LED-bulb (60 W)
 Please indicate with order.



Special length (distance to wall / ceiling) on request.

* LUN-DALI 300 W or Casambi Module

Alternatively, we recommend (without obligation)

the following dimmer brands:

- Jung 1731DD
- Gira 540100 (System 3000)
- Feller 40200
- Berker 85421100
- Busch-Jaeger 64851U
- Kopp 8455
- Eitako EUD61NPL-230V





OLA 25

Ceiling lamp

Designed by: Florian Schulz

Height: 14 cm (5.5")

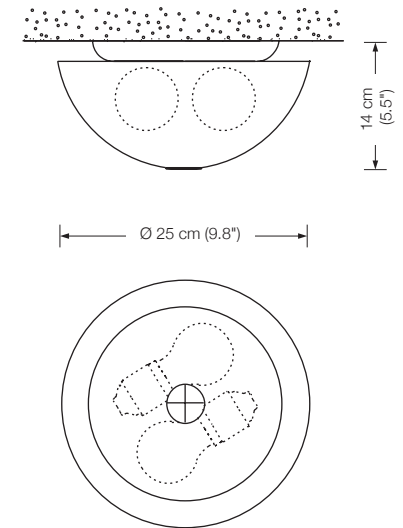
Shade: glass white-opal, Ø 25 cm (9.8")

Lampholder: 2 x E27, max. 2 x 100 W

Bulb: 2 x E27 LED á 1055 Lumen, 10,5 W incl., dimmable
2700° K, 10,5 W $\hat{=}$ 75 W

Dimmer: possible via house installation*

OLA 25 – Ms	Solid brass polished, lacquered
OLA 25 – Mt	Solid brass matt brushed, lacquered
OLA 25 – Ni	Solid brass, nickel-plated
OLA 25 – Nm	Solid brass nickel-plated, matt brushed
OLA 25 – Cr	Solid brass, chrome-plated
OLA 25 – Cu	Solid brass copper-plated, lacquered
OLA 25 – Cm	Solid brass copper-plated, matt brushed, lacquered
OLA 25 – Br	Solid brass bronzed, lacquered
OLA 25 – Bd	Solid brass dark-bronzed, lacquered



OLA 36

Ceiling lamp

Designed by: Florian Schulz

Height: 20 cm (7.9")

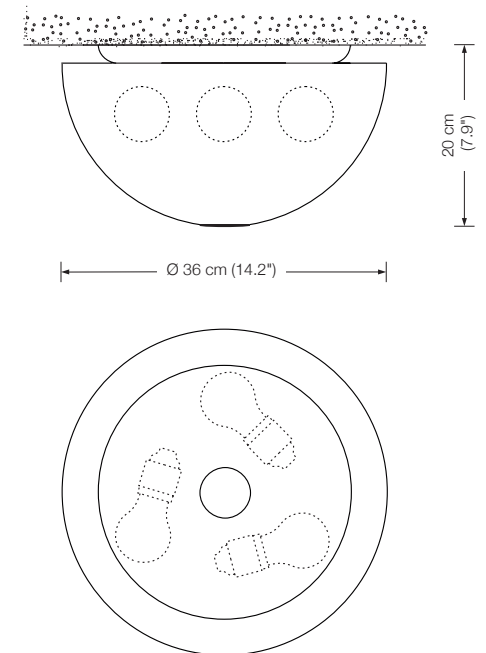
Shade: glass white-opal, Ø 36 cm (14.2")

Lampholder: 3 x E27, max. 3 x 100 W

Bulb: 3 x E27 LED á 1055 Lumen, 10,5 W incl., dimmable
2700° K, 10,5 W $\hat{=}$ 75 W

Dimmer: possible via house installation*

OLA 36 – Ms	Solid brass polished, lacquered
OLA 36 – Mt	Solid brass matt brushed, lacquered
OLA 36 – Ni	Solid brass, nickel-plated
OLA 36 – Nm	Solid brass nickel-plated, matt brushed
OLA 36 – Cr	Solid brass, chrome-plated
OLA 36 – Cu	Solid brass copper-plated, lacquered
OLA 36 – Cm	Solid brass copper-plated, matt brushed, lacquered
OLA 36 – Br	Solid brass bronzed, lacquered
OLA 36 – Bd	Solid brass dark-bronzed, lacquered



* LUN-DALI 300 W or Casambi Module

Alternatively, we recommend (without obligation)

the following dimmer brands:

- Jung 1731DD
- Gira 540100 (System 3000)
- Feller 40200
- Berker 85421100
- Busch-Jaeger 64851U
- Kopp 8455
- Eltako EUD61NPL-230V

GELA 40

Wall-/ Ceiling lamp

Designed by: Florian Schulz

Shade: glass white-opal Ø 40 cm (15.7")

Lampholder: 5 x E14, max. 5 x 60 W

Dimmer: possible via house installation (*standard*)*

GELA 40 – Ms Solid brass polished, lacquered

GELA 40 – Mt Solid brass matt brushed, lacquered

GELA 40 – Ni Solid brass, nickel-plated

GELA 40 – Nm Solid brass nickel-plated, matt brushed

GELA 40 – Cr Solid brass, chrome-plated

GELA 40 – Cu Solid brass copper-plated, lacquered

GELA 40 – Cm Solid brass copper-plated, matt brushed, lacquered

GELA 40 – Br Solid brass bronzed, lacquered

GELA 40 – Bd Solid brass dark-bronzed, lacquered

By request: 5 x E14 LED-bulb (60 W)

Please indicate with order.

GELA 55

Ceiling lamp

Designed by: Florian Schulz

Shade: glass white-opal Ø 55 cm (21.7")

Lampholder: 5 x E27, max. 5 x 100 W

Dimmer: possible via house installation (*standard*)*

GELA 55 – Ms Solid brass polished, lacquered

GELA 55 – Mt Solid brass matt brushed, lacquered

GELA 55 – Ni Solid brass, nickel-plated

GELA 55 – Nm Solid brass nickel-plated, matt brushed

GELA 55 – Cr Solid brass, chrome-plated

GELA 55 – Cu Solid brass copper-plated, lacquered

GELA 55 – Cm Solid brass copper-plated, matt brushed, lacquered

GELA 55 – Br Solid brass bronzed, lacquered

GELA 55 – Bd Solid brass dark-bronzed, lacquered

By request: 5 x E27 LED-bulb (75 W)

Please indicate with order.

GELA 80

Ceiling lamp

Designed by: Florian Schulz

Shade: glass white-opal Ø 80 cm (31.5")

Lampholder: 7 x E27, max. 7 x 100 W

Dimmer: possible via house installation (*standard*)*

GELA 80 – Ms Solid brass polished, lacquered

GELA 80 – Mt Solid brass matt brushed, lacquered

GELA 80 – Ni Solid brass, nickel-plated

GELA 80 – Nm Solid brass nickel-plated, matt brushed

GELA 80 – Cr Solid brass, chrome-plated

GELA 80 – Cu Solid brass copper-plated, lacquered

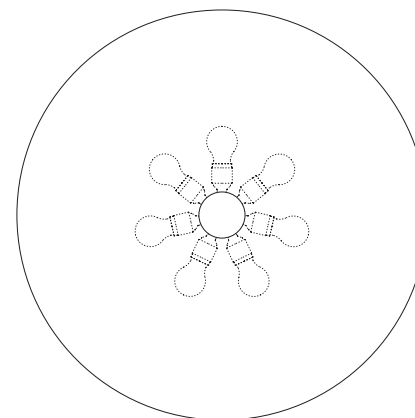
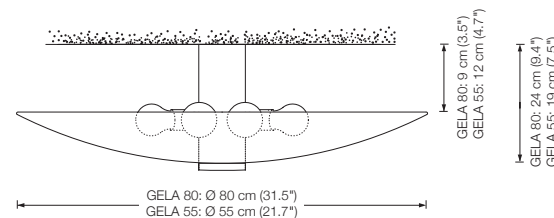
GELA 80 – Cm Solid brass copper-plated, matt brushed, lacquered

GELA 80 – Br Solid brass bronzed, lacquered

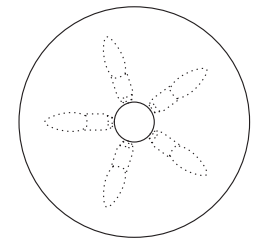
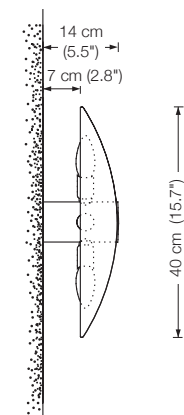
GELA 80 – Bd Solid brass dark-bronzed, lacquered

By request: 7 x E27 LED-bulb (75 W)

Please indicate with order.



GELA 40



* LUN-DALI 300 W or Casambi Module

Alternatively, we recommend (*without obligation*)

the following dimmer brands:

- Jung 1731DD

- Gira 540100 (*System 3000*)

- Feller 40200

- Berker 85421100

- Busch-Jaeger 64851U

- Kopp 8455

- Eltako EUD61NPL-230V

Special length (distance to wall / ceiling) on request.

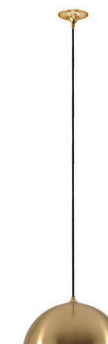


DUOS 36 P – Pendant

Pendant lamp

Canopy: Ø 12 cm (4.7")
 Shade: metal Ø 36 cm (14.2")
 Lampholder: E27, max. 100 W

DUOS 36 P – Ms Solid brass polished, lacquered
 DUOS 36 P – Mt Solid brass matt brushed, lacquered
 DUOS 36 P – Ni Solid brass, nickel-plated
 DUOS 36 P – Nm Solid brass nickel-plated, matt brushed
 DUOS 36 P – Cr Solid brass, chrome-plated
 DUOS 36 P – Cu Solid brass copper-plated, lacquered
 DUOS 36 P – Cm Solid brass copper-plated, matt brushed, lacquered
 DUOS 36 P – Br Solid brass bronzed, lacquered
 DUOS 36 P – Bd Solid brass dark-bronzed, lacquered



DUOS 36 M – Center pull

Adjustable pendant lamp

Canopy: Ø 9 cm (3.5")
 Shade: metal Ø 36 cm (14.2")
 Lampholder: E27, max. 100 W

DUOS 36 M – Ms Solid brass polished, lacquered
 DUOS 36 M – Mt Solid brass matt brushed, lacquered
 DUOS 36 M – Ni Solid brass, nickel-plated
 DUOS 36 M – Nm Solid brass nickel-plated, matt brushed
 DUOS 36 M – Cr Solid brass, chrome-plated
 DUOS 36 M – Cu Solid brass copper-plated, lacquered
 DUOS 36 M – Cm Solid brass copper-plated, matt brushed, lacquered
 DUOS 36 M – Br Solid brass bronzed, lacquered
 DUOS 36 M – Bd Solid brass dark-bronzed, lacquered



DUOS 36 S – Side pull

Adjustable pendant lamp

Canopy: Ø 7 cm (2.8")
 Shade: metal Ø 36 cm (14.2")
 Lampholder: E27, max. 100 W

DUOS 36 S – Ms Solid brass polished, lacquered
 DUOS 36 S – Mt Solid brass matt brushed, lacquered
 DUOS 36 S – Ni Solid brass, nickel-plated
 DUOS 36 S – Nm Solid brass nickel-plated, matt brushed
 DUOS 36 S – Cr Solid brass, chrome-plated
 DUOS 36 S – Cu Solid brass copper-plated, lacquered
 DUOS 36 S – Cm Solid brass copper-plated, matt brushed, lacquered
 DUOS 36 S – Br Solid brass bronzed, lacquered
 DUOS 36 S – Bd Solid brass dark-bronzed, lacquered



DUOS 36 R – Straight pull ceiling mounted

Adjustable pendant lamp

Shade: metal Ø 36 cm (14.2")
 Lampholder: E27, max. 100 W
 Dimmer: built in

DUOS 36 R – Ms Solid brass polished, lacquered
 DUOS 36 R – Mt Solid brass matt brushed, lacquered
 DUOS 36 R – Ni Solid brass, nickel-plated
 DUOS 36 R – Nm Solid brass nickel-plated, matt brushed
 DUOS 36 R – Cr Solid brass, chrome-plated
 DUOS 36 R – Cu Solid brass copper-plated, lacquered
 DUOS 36 R – Cm Solid brass copper-plated, matt brushed, lacquered
 DUOS 36 R – Br Solid brass bronzed, lacquered
 DUOS 36 R – Bd Solid brass dark-bronzed, lacquered



DUOS 36 D – Double pull

Adjustable pendant lamp

Canopy: Ø 7 cm (2.8")
 Shade: metal Ø 36 cm (14.2")
 Lampholder: 2 x E27, max. 2 x 100 W

DUOS 36 D – Ms Solid brass polished, lacquered
 DUOS 36 D – Mt Solid brass matt brushed, lacquered
 DUOS 36 D – Ni Solid brass, nickel-plated
 DUOS 36 D – Nm Solid brass nickel-plated, matt brushed
 DUOS 36 D – Cr Solid brass, chrome-plated
 DUOS 36 D – Cu Solid brass copper-plated, lacquered
 DUOS 36 D – Cm Solid brass copper-plated, matt brushed, lacquered
 DUOS 36 D – Br Solid brass bronzed, lacquered
 DUOS 36 D – Bd Solid brass dark-bronzed, lacquered



Designed by: Florian Schulz + Jens Schump
 Textile cable black.
 On request: white, brown, gold, silver.

Control modules possible for pendant lamps,
 center, side and double pull:

LUN-DALI 25 W (Canopy Ø 12 cm)
 or Casambi Modul (Canopy Ø 12 cm)

Alternatively, we recommend (without obligation)

the following dimmer brands:

- Jung 1731DD
- Gira 540100 (System 3000)
- Feller 40200
- Berker 85421100
- Busch-Jaeger 64851U
- Kopp 8455
- Eltako EUD61NPL-230V





POSA 36 P – Pendant

Pendant lamp

Canopy: Ø 12 cm (4.7")
 Shade: glass white-opal, Ø 36 cm (14.2")
 Lampholder: E27, max. 100 W

POSA 36 P – Ms Solid brass polished, lacquered
 POSA 36 P – Mt Solid brass matt brushed, lacquered
 POSA 36 P – Ni Solid brass, nickel-plated
 POSA 36 P – Nm Solid brass nickel-plated, matt brushed
 POSA 36 P – Cr Solid brass, chrome-plated
 POSA 36 P – Cu Solid brass copper-plated, lacquered
 POSA 36 P – Cm Solid brass copper-plated, matt brushed, lacquered
 POSA 36 P – Br Solid brass bronzed, lacquered
 POSA 36 P – Bd Solid brass dark-bronzed, lacquered



POSA 36 M – Center pull

Adjustable pendant lamp

Canopy: Ø 9 cm (3.5")
 Shade: glass white-opal, Ø 36 cm (14.2")
 Lampholder: E27, max. 100 W

POSA 36 M – Ms Solid brass polished, lacquered
 POSA 36 M – Mt Solid brass matt brushed, lacquered
 POSA 36 M – Ni Solid brass, nickel-plated
 POSA 36 M – Nm Solid brass nickel-plated, matt brushed
 POSA 36 M – Cr Solid brass, chrome-plated
 POSA 36 M – Cu Solid brass copper-plated, lacquered
 POSA 36 M – Cm Solid brass copper-plated, matt brushed, lacquered
 POSA 36 M – Br Solid brass bronzed, lacquered
 POSA 36 M – Bd Solid brass dark-bronzed, lacquered



POSA 36 S – Side pull

Adjustable pendant lamp

Canopy: Ø 7 cm (2.8")
 Shade: glass white-opal, Ø 36 cm (14.2")
 Lampholder: E27, max. 100 W

POSA 36 S – Ms Solid brass polished, lacquered
 POSA 36 S – Mt Solid brass matt brushed, lacquered
 POSA 36 S – Ni Solid brass, nickel-plated
 POSA 36 S – Nm Solid brass nickel-plated, matt brushed
 POSA 36 S – Cr Solid brass, chrome-plated
 POSA 36 S – Cu Solid brass copper-plated, lacquered
 POSA 36 S – Cm Solid brass copper-plated, matt brushed, lacquered
 POSA 36 S – Br Solid brass bronzed, lacquered
 POSA 36 S – Bd Solid brass dark-bronzed, lacquered



POSA 36 R – Straight pull ceiling mounted

Adjustable pendant lamp

Shade: glass white-opal, Ø 36 cm (14.2")
Lampholder: E27, max. 100 W
Dimmer: built in

POSA 36 R – Ms Solid brass polished, lacquered
POSA 36 R – Mt Solid brass matt brushed, lacquered
POSA 36 R – N Solid brass, nickel-plated
POSA 36 R – Nm Solid brass nickel-plated, matt brushed
POSA 36 R – Cr Solid brass, chrome-plated
POSA 36 R – Cu Solid brass copper-plated, lacquered
POSA 36 R – Cm Solid brass copper-plated, matt brushed, lacquered
POSA 36 R – Br Solid brass bronzed, lacquered
POSA 36 R – Bd Solid brass dark-bronzed, lacquered



POSA 36 D – Double pull

Adjustable pendant lamp

Canopy: Ø 7 cm (2.8")
Shade: glass white-opal, Ø 36 cm (14.2")
Lampholder: 2 x E27, max. 2 x 100 W

POSA 36 D – Ms Solid brass polished, lacquered
POSA 36 D – Mt Solid brass matt brushed, lacquered
POSA 36 D – Ni Solid brass, nickel-plated
POSA 36 D – Nm Solid brass nickel-plated, matt brushed
POSA 36 D – Cr Solid brass, chrome-plated
POSA 36 D – Cu Solid brass copper-plated, lacquered
POSA 36 D – Cm Solid brass copper-plated, matt brushed, lacquered
POSA 36 D – Br Solid brass bronzed, lacquered
POSA 36 D – Bd Solid brass dark-bronzed, lacquered



Designed by: Florian Schulz
Textile cable black.
On request: white, brown, gold, silver.

Control modules possible for pendant lamps,
center, side and double pull:

LUN-DALI 25 W: (Canopy Ø 12 cm)

or Casambi Modul: (Canopy Ø 12 cm)

Alternatively, we recommend (without obligation)

the following dimmer brands:

- Jung 1731DD
- Gira 540100 (System 3000)
- Feller 40200
- Berker 85421100
- Busch-Jaeger 64851U
- Kopp 8455
- Eltako EUD61NPL-230V



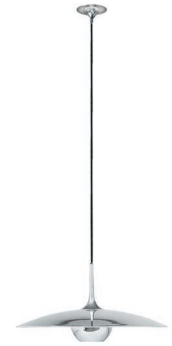


ONOS 55 P – Pendant

Pendant lamp

Canopy: Ø 12 cm (4.7")
 Shade: metal Ø 55 cm (21.7"), metal light diffuser
 Lampholder: E27, max. 100 W

ONOS 55 P – Ms Solid brass polished, lacquered
 ONOS 55 P – Mt Solid brass matt brushed, lacquered
 ONOS 55 P – Ni Solid brass, nickel-plated
 ONOS 55 P – Nm Solid brass nickel-plated, matt brushed
 ONOS 55 P – Cr Solid brass, chrome-plated
 ONOS 55 P – Cu Solid brass copper-plated, lacquered
 ONOS 55 P – Cm Solid brass copper-plated, matt brushed, lacquered
 ONOS 55 P – Br Solid brass bronzed, lacquered
 ONOS 55 P – Bd Solid brass dark-bronzed, lacquered



ONOS 55 M – Center pull

Adjustable pendant lamp

Canopy: Ø 9 cm (3.5")
 Shade: metal Ø 55 cm (21.7"), metal light diffuser
 Lampholder: E27, max. 100 W

ONOS 55 M – Ms Solid brass polished, lacquered
 ONOS 55 M – Mt Solid brass matt brushed, lacquered
 ONOS 55 M – Ni Solid brass, nickel-plated
 ONOS 55 M – Nm Solid brass nickel-plated, matt brushed
 ONOS 55 M – Cr Solid brass, chrome-plated
 ONOS 55 M – Cu Solid brass copper-plated, lacquered
 ONOS 55 M – Cm Solid brass copper-plated, matt brushed, lacquered
 ONOS 55 M – Br Solid brass bronzed, lacquered
 ONOS 55 M – Bd Solid brass dark-bronzed, lacquered



ONOS 55 S – Side pull

Adjustable pendant lamp

Canopy: Ø 7 cm (2.8")
 Shade: metal Ø 55 cm (21.7"), metal light diffuser
 Lampholder: E27, max. 100 W

ONOS 55 S – Ms Solid brass polished, lacquered
 ONOS 55 S – Mt Solid brass matt brushed, lacquered
 ONOS 55 S – Ni Solid brass, nickel-plated
 ONOS 55 S – Nm Solid brass nickel-plated, matt brushed
 ONOS 55 S – Cr Solid brass, chrome-plated
 ONOS 55 S – Cu Solid brass copper-plated, lacquered
 ONOS 55 S – Cm Solid brass copper-plated, matt brushed, lacquered
 ONOS 55 S – Br Solid brass bronzed, lacquered
 ONOS 55 S – Bd Solid brass dark-bronzed, lacquered



ONOS 55 R – Straight pull ceiling mounted

Adjustable pendant lamp

Shade: metal Ø 55 cm (21.7"), metal light diffuser
Lampholder: E27, max. 100 W
Dimmer: built in

ONOS 55 R – Ms Solid brass polished, lacquered
ONOS 55 R – Mt Solid brass matt brushed, lacquered
ONOS 55 R – Ni Solid brass, nickel-plated
ONOS 55 R – Nm Solid brass nickel-plated, matt brushed
ONOS 55 R – Cr Solid brass, chrome-plated
ONOS 55 R – Cu Solid brass copper-plated, lacquered
ONOS 55 R – Cm Solid brass copper-plated, matt brushed, lacquered
ONOS 55 R – Br Solid brass bronzed, lacquered
ONOS 55 R – Bd Solid brass dark-bronzed, lacquered



ONOS 55 D – Double pull

Adjustable pendant lamp

Canopy: Ø 7 cm (2.8")
Shade: metal Ø 55 cm (21.7"), metal light diffuser
Lampholder: 2 x E27, max. 2 x 100 W

ONOS 55 D – Ms Solid brass polished, lacquered
ONOS 55 D – Mt Solid brass matt brushed, lacquered
ONOS 55 D – Ni Solid brass, nickel-plated
ONOS 55 D – Nm Solid brass nickel-plated, matt brushed
ONOS 55 D – Cr Solid brass, chrome-plated
ONOS 55 D – Cu Solid brass copper-plated, lacquered
ONOS 55 D – Cm Solid brass copper-plated, matt brushed, lacquered
ONOS 55 D – Br Solid brass bronzed, lacquered
ONOS 55 D – Bd Solid brass dark-bronzed, lacquered



Designed by: Florian Schulz
Textile cable black.
On request: white, brown, gold, silver.

Control modules possible for pendant lamps,
center, side and double pull:

LUN-DALI 25 W: (Canopy Ø 12 cm)

or Casambi Modul: (Canopy Ø 12 cm)

Alternatively, we recommend (without obligation)

the following dimmer brands:

- Jung 1731DD
- Gira 540100 (System 3000)
- Feller 40200
- Berker 85421100
- Busch-Jaeger 64851U
- Kopp 8455
- Eltako EUD61NPL-230V





ONOS 40 P – Pendant

Pendant lamp

Canopy: Ø 12 cm (4.7")
 Shade: metal Ø 40 cm (15.7"), metal light diffuser
 Lampholder: E27, max. 100 W

ONOS 40 P – Ms Solid brass polished, lacquered
 ONOS 40 P – Mt Solid brass matt brushed, lacquered
 ONOS 40 P – Ni Solid brass, nickel-plated
 ONOS 40 P – Nm Solid brass nickel-plated, matt brushed
 ONOS 40 P – Cr Solid brass, chrome-plated
 ONOS 40 P – Cu Solid brass copper-plated, lacquered
 ONOS 40 P – Cm Solid brass copper-plated, matt brushed, lacquered
 ONOS 40 P – Br Solid brass bronzed, lacquered
 ONOS 40 P – Bd Solid brass dark-bronzed, lacquered

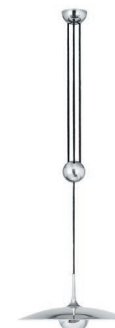


ONOS 40 M – Center pull

Adjustable pendant lamp

Canopy: Ø 9 cm (3.5")
 Shade: metal Ø 40 cm (15.7"), metal light diffuser
 Lampholder: E27, max. 100 W

ONOS 40 M – Ms Solid brass polished, lacquered
 ONOS 40 M – Mt Solid brass matt brushed, lacquered
 ONOS 40 M – Ni Solid brass, nickel-plated
 ONOS 40 M – Nm Solid brass nickel-plated, matt brushed
 ONOS 40 M – Cr Solid brass, chrome-plated
 ONOS 40 M – Cu Solid brass copper-plated, lacquered
 ONOS 40 M – Cm Solid brass copper-plated, matt brushed, lacquered
 ONOS 40 M – Br Solid brass bronzed, lacquered
 ONOS 40 M – Bd Solid brass dark-bronzed, lacquered



ONOS 40 S – Side pull

Adjustable pendant lamp

Canopy: Ø 7 cm (2.8")
 Shade: metal Ø 40 cm (15.7"), metal light diffuser
 Lampholder: E27, max. 100 W

ONOS 40 S – Ms Solid brass polished, lacquered
 ONOS 40 S – Mt Solid brass matt brushed, lacquered
 ONOS 40 S – Ni Solid brass, nickel-plated
 ONOS 40 S – Nm Solid brass nickel-plated, matt brushed
 ONOS 40 S – Cr Solid brass, chrome-plated
 ONOS 40 S – Cu Solid brass copper-plated, lacquered
 ONOS 40 S – Cm Solid brass copper-plated, matt brushed, lacquered
 ONOS 40 S – Br Solid brass bronzed, lacquered
 ONOS 40 S – Bd Solid brass dark-bronzed, lacquered



ONOS 40 R – Straight pull ceiling mounted

Adjustable pendant lamp

Shade: metal Ø 40 cm (15.7"), metal light diffuser
Lampholder: E27, max. 100 W
Dimmer: built in

ONOS 40 R – Ms Solid brass polished, lacquered
ONOS 40 R – Mt Solid brass matt brushed, lacquered
ONOS 40 R – Ni Solid brass, nickel-plated
ONOS 40 R – Nm Solid brass nickel-plated, matt brushed
ONOS 40 R – Cr Solid brass, chrome-plated
ONOS 40 R – Cu Solid brass copper-plated, lacquered
ONOS 40 R – Cm Solid brass copper-plated, matt brushed, lacquered
ONOS 40 R – Br Solid brass bronzed, lacquered
ONOS 40 R – Bd Solid brass dark-bronzed, lacquered

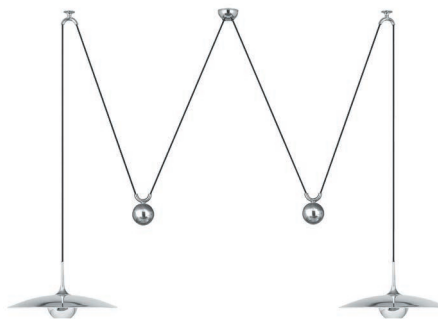


ONOS 40 D – Double pull

Adjustable pendant lamp

Canopy: Ø 7 cm (2.8")
Shade: metal Ø 40 cm (15.7"), metal light diffuser
Lampholder: 2 x E27, max. 2 x 100 W

ONOS 40 D – Ms Solid brass polished, lacquered
ONOS 40 D – Mt Solid brass matt brushed, lacquered
ONOS 40 D – Ni Solid brass, nickel-plated
ONOS 40 D – Nm Solid brass nickel-plated, matt brushed
ONOS 40 D – Cr Solid brass, chrome-plated
ONOS 40 D – Cu Solid brass copper-plated, lacquered
ONOS 40 D – Cm Solid brass copper-plated, matt brushed, lacquered
ONOS 40 D – Br Solid brass bronzed, lacquered
ONOS 40 D – Bd Solid brass dark-bronzed, lacquered



Designed by: Florian Schulz
Textile cable black.
On request: white, brown, gold, silver.

Control modules possible for pendant lamps,
center, side and double pull:

LUN-DALI 25 W: (Canopy Ø 12 cm)

or Casambi Modul: (Canopy Ø 12 cm)

Alternatively, we recommend (without obligation)

the following dimmer brands:

- Jung 1731DD
- Gira 540100 (System 3000)
- Feller 40200
- Berker 85421100
- Busch-Jaeger 64851U
- Kopp 8455
- Eltako EUD61NPL-230V





P80-1

Pendant lamp, height adjustable

Designed by: Jens Schump

Height: from 65 cm (25.6") – 135 cm (53.15") (standard)*
 Canopy: Ø 6 cm (2.36")
 Shade: Ø 8 cm (3.15"), 16,5 cm (6.5") high
 Bulb: 1 x LED (20 Watt) incl., 2000 Lumen
 Color temperature: Dim-to-Warm from 3100° – 1850 °K
 Color rendering: > 90 Ra
 Dimmer: possible via house installation (standard)**

P80-1 – Ms Solid brass polished, lacquered
 P80-1 – Mt Solid brass matt brushed, lacquered
 P80-1 – Ni Solid brass, nickel-plated
 P80-1 – Nm Solid brass nickel-plated, matt brushed
 P80-1 – Cr Solid brass, chrome-plated
 P80-1 – Cu Solid brass copper-plated, lacquered
 P80-1 – Cm Solid brass copper-plated, matt brushed, lacquered
 P80-1 – Br Solid brass bronzed, lacquered
 P80-1 – Bd Solid brass dark-bronzed, lacquered

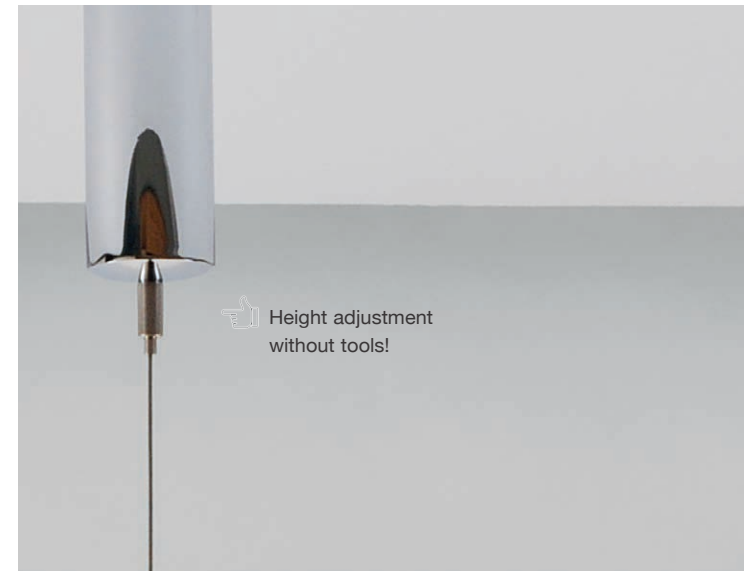
P80-3

Triple pendant lamp, individually height-adjustable

Designed by: Jens Schump

Height: 3 x from 65 cm (25.6") – 135 cm (53.15") (standard)*
 Canopy: 132 cm (51.97") long, 8 cm (3.15") wide, 4 cm (1.57") high
 Shade: 3 x Ø 8 cm (3.15"), 16,5 cm (6.5") high
 Bulb: 3 x LED (3 x 20 Watt) incl., 6000 Lumen
 Color temperature: Dim-to-Warm from 3100° – 1850 °K
 Color rendering: > 90 Ra
 Dimmer: possible via house installation (standard)**

P80-3 – Ms Solid brass polished, lacquered
 P80-3 – Mt Solid brass matt brushed, lacquered
 P80-3 – Ni Solid brass, nickel-plated
 P80-3 – Nm Solid brass nickel-plated, matt brushed
 P80-3 – Cr Solid brass, chrome-plated
 P80-3 – Cu Solid brass copper-plated, lacquered
 P80-3 – Cm Solid brass copper-plated, matt brushed, lacquered
 P80-3 – Br Solid brass bronzed, lacquered
 P80-3 – Bd Solid brass dark-bronzed, lacquered



* Other suspension heights on request.

** LUN-DALI 25 W or Casambi Modul

Alternatively, we recommend (without obligation)

the following dimmer brands:

- Jung 1731DD
- Gira 540100 (System 3000)
- Feller 40200
- Berker 85421100
- Busch-Jaeger 64851U
- Kopp 8455
- Eltako EUD61NPL-230V





PEN 100

**Pendant lamp, adjustable height
both light elements can be rotated (360°)**

Designed by: Florian Schulz

Length: 100 cm (39.4")
Canopy: 20 x 20 x 5 cm (7.9" x 7.9" x 2.0")
Shade: Ø 2,1 cm (0.8")
Height: 80 to 140 cm (31.5" to 55.1") adjustable (*standard*)*
Bulb: 2 x LED 150 (approx. 12 watts in total) incl.
exchangeable, approx. 1200 Lumen
Color temperature: warmwhite 2700 K
Color rendering: > 90 Ra
Dimmer: possible via house installation (*standard*)**

PEN 100 – Ms Solid brass polished, lacquered
PEN 100 – Mt Solid brass matt brushed, lacquered
PEN 100 – Ni Solid brass, nickel-plated
PEN 100 – Nm Solid brass nickel-plated, matt brushed
PEN 100 – Cr Solid brass, chrome-plated
PEN 100 – Cu Solid brass copper-plated, lacquered
PEN 100 – Cm Solid brass copper-plated, matt brushed, lacquered
PEN 100 – Br Solid brass bronzed, lacquered
PEN 100 – Bd Solid brass dark-bronzed, lacquered

PEN 100 / 121 / 142:

* Other possible suspensions (*Please indicate with order*):

Overall height 105 – 200 cm (41.3" – 78.7")

Overall height 130 – 250 cm (51.2" – 98.4")

Other pendulum lengths possible on request.

** LUN-DALI 25 W or Casambi Modul

Alternatively, we recommend (*without obligation*)

the following dimmer brands:

- Jung 1731DD
- Gira 540100 (*System 3000*)
- Feller 40200
- Berker 85421100
- Busch-Jaeger 64851U
- Kopp 8455
- Eltako EUD61NPL-230V

PEN 121

Pendant lamp, adjustable height
outer light elements can be rotated (360°)

Designed by: Florian Schulz

Length: 121 cm (47.6")
Canopy: 46,5 x 5 x 5 cm (18.3" x 2.0" x 2.0")
Shade: Ø 2,1 cm (0.8")
Height: 80 to 140 cm (31.5" to 55.1") adjustable (standard)*
Bulb: 3 x LED 150 (approx. 24 watts in total) incl.
exchangeable, approx. 2200 Lumen
Color temperature: warmwhite 2700 K
Color rendering: > 90 Ra
Dimmer: possible via house installation (standard)**

PEN 121 – Ms Solid brass polished, lacquered
PEN 121 – Mt Solid brass matt brushed, lacquered
PEN 121 – Ni Solid brass, nickel-plated
PEN 121 – Nm Solid brass nickel-plated, matt brushed
PEN 121 – Cr Solid brass, chrome-plated
PEN 121 – Cu Solid brass copper-plated, lacquered
PEN 121 – Cm Solid brass copper-plated, matt brushed, lacquered
PEN 121 – Br Solid brass bronzed, lacquered
PEN 121 – Bd Solid brass dark-bronzed, lacquered

PEN 142

Pendant lamp, adjustable height
all light elements can be rotated (360°)

Designed by: Florian Schulz

Length: 142 cm (55.9")
Canopy: 53 x 5 x 5 cm (20.9" x 2.0" x 2.0")
Shade: Ø 2,1 cm (0.8")
Height: 80 to 140 cm (31.5" to 55.1") adjustable (standard)*
Bulb: 3 x LED 150 (approx. 24 watts in total) incl.
exchangeable, approx. 2200 Lumen
Color temperature: warmwhite 2700 K
Color rendering: > 90 Ra
Dimmer: possible via house installation (standard)**

PEN 142 – Ms Solid brass polished, lacquered
PEN 142 – Mt Solid brass matt brushed, lacquered
PEN 142 – Ni Solid brass, nickel-plated
PEN 142 – Nm Solid brass nickel-plated, matt brushed
PEN 142 – Cr Solid brass, chrome-plated
PEN 142 – Cu Solid brass copper-plated, lacquered
PEN 142 – Cm Solid brass copper-plated, matt brushed, lacquered
PEN 142 – Br Solid brass bronzed, lacquered
PEN 142 – Bd Solid brass dark-bronzed, lacquered





VS Manufaktur
Wahlwiesenstr. 1
71711 Steinheim an der Murr
Germany
Tel. +49 (0)7144 889 110 5
Fax +49 (0)7144 889 110 7

www.vs-manufaktur.de
info@vs-manufaktur.de

All rights reserved.
Specifications and design subject to change without notice.