



VS manufaktur
licht + objekt

Collection 2022

Collection 2022

Recommended **retail price without VAT**, valid with effect from February 1st 2022.

With immediate effect, only the models specified in this list are available.

The technical data in this price list shall apply exclusively.

Alphabetical index

	Page		Page
ALEA	51	MYOS	18
ALIA	51	MYOS T	19
BEO	52	OKON	15
BLOC	57	OLA 25	64
CERVANTES	36	OLA 36	65
CINA W.	56	ONE 58	8
DROP	24 – 25	ONE 80	9
DUOS 36	66 – 67	ONOS 40	72 – 73
ELAS	45	ONOS 55	70 – 71
ELAS S	45	ORA 20	42
ERA 33	54	ORA 25	42
ERA 40	54	OVA	10 – 11
EREA 55	58	OY	80
EREA 80	59	OYO	81
ESA	44	P80-1	74 – 75
GEA	50	P80-3	74 – 75
GELA 40	62 – 63	PEN 100	76
GELA 55	62 – 63	PEN 121	77
GELA 80	62 – 63	PEN 142	78 – 79
GO 30	28	PIN	26 – 27
INAS	32	PIN T	47
INAS SD	33	PIN W dim	49
LESAN M	31	POSA 36	68 – 69
LESAN S	31	SELA 40	61
LIN	29	SELA 55	61
LONEA	16	SOLA 80	60
LONEA SD	17	STE	30
LOT	14	TAOS 40	20
MESA 18	12	TAOS 40 SD	21
MESA 24	13	TAOS 55	20

Collection

	Page
Chandeliers:	8 – 13
Floorlamps:	14 – 22
Arc floor lamps:	23
Floor reading lamps:	24 – 36
Table lamps:	37 – 48
Wall sconces:	49 – 57
Ceiling lamps:	58 – 65
Adjustable pendant lamps:	66 – 73
Pendant lamps:	74 – 79
Spots:	80 – 81

	Page
TAOS 55 SD	21
TAU	40 – 41
TES	46
TOA	37
TOLED	48
TOPAN	38 – 39
UNA	23
VAO	55
VAYO	22
WED	53
YON	34 – 35
YON G	34 – 35
YON T	43

Florian Schulz Collection

PRESERVING TRADITION.

Proudly continuing the classics of the Florian Schulz Collection.



He was devoted to providing mass customization for commercial construction projects such as the Stuttgart State Opera House and the iconic Breuninger fashion store.

Florian Schulz increasingly concentrated more on the design of interior lighting made from brass. Later these series of lights were produced by a select team of professional craftsmen in his factory in Ludwigsburg.

Over the years Florian Schulz continued to develop a diverse and timeless collection of lights that can be placed in all areas of residential interior.

The ability to work with brass and the aspiration to make timeless and functional lights were his motivating and inspiring factors to make the best possible lighting for residential spaces. Florian Schulz has claimed a unique collection of highest artistic craftsmanship with timeless design combined with modern technology.



CRAFTMANSHIP MEETS PERFECTION.

Jens Schump combines design, technology and quality at the highest level.



The company Florian Schulz GmbH has been managed by Jens Schump since 2019 and renamed to VS Manufaktur e.K. Jens Schump initially learned his craftsmanship as a metal former (focus on metal typography) from Florian Schulz and worked together with him for 14 years. During that time Jens Schump developed his in-depth knowledge of the inner workings of high quality lighting. Jens Schump (36) has advanced from an initial apprentice under the guidance of Florian Schulz, then as the operational director to now the proprietary owner of VS Manufaktur. As Managing Director, he has assumed responsibility of all personnel of Florian Schulz and has continued to expand the team of qualified employees.

Jens Schump's vision is to guarantee design, level of quality and durability. The lighting features have been updated specifically regarding quality and functionality and adapted to meet current technical standards, such as the ability to connect with KNX and Smart Home systems. Every light is unique and offers modern and qualitative technical functionality.

Production of all the lights occurs in southern Germany with experienced craftsmanship – made in Germany. Jens Schump personally also continues to design new lights, even as Managing Director. He retains the design concept of Florian Schulz and enhances new collections with his signature of precision and aesthetics implemented with sustainability.

Prices for non-standard finishes

In addition to the metal finishes quoted in this price list, special finishes are available for most models.

Surcharges are calculated from the basic price for brass (– Ms) or nickel (–Ni): *

Mp	Solid brass polished, unlacquered	+ 10%
Ni-lack	Solid brass nickel-plated, lacquered	+ 10%

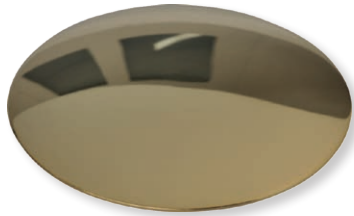
Delivery times on request.

* Prices can vary depending on model and technical feasibility.

Note:

The special surfaces „Mp – Solid brass polished, unlacquered“ and „Ni-lack – Solid brass, nickel-plated, lacquered“ visually look the same, such as „Ms – Solid brass polished, lacquered“ and „Ni – Solid brass, nickel-plated“.

Finishes



Ms
Solid brass polished, lacquered



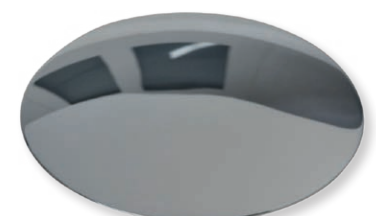
Mt
Solid brass matt brushed, lacquered



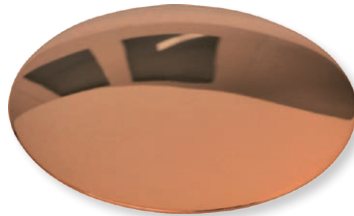
Ni
Solid brass, nickel-plated



Nm
Solid brass nickel-plated, matt brushed



Cr
Solid brass, chrome-plated



Cu
Solid brass copper-plated, lacquered



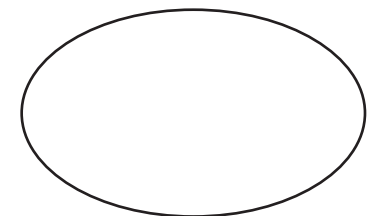
Cm
Solid brass copper-plated, matt brushed, lacquered



Br
Solid brass bronzed, lacquered



Bd
Solid brass dark-bronzed, lacquered



On request
according to RAL card.



ONE 58

LED chandelier

Designed by: Florian Schulz + Jens Schump

Height: adjustable 0.5 to 2 m (16.69" to 78.74") (standard)*

Ø Ring: 58 cm (22.8")

Ø Canopy: 25 cm (9.8")

Bulb: LED (31,4 Watt) with glare protection incl. light upwards and downwards approx. 3.020 Lumen

Color temperature: warmwhite 2700 K

Color rendering: > 95 Ra

Dimmer: possible via house installation (standard)**

ONE 58 – Ms	Solid brass polished, lacquered	3.007 €
ONE 58 – Mt	Solid brass matt brushed, lacquered	3.308 €
ONE 58 – Ni	Solid brass, nickel-plated	3.007 €
ONE 58 – Nm	Solid brass nickel-plated, matt brushed	3.308 €
ONE 58 – Cr	Solid brass, chrome-plated	3.308 €
ONE 58 – Cu	Solid brass copper-plated, lacquered	3.308 €
ONE 58 – Cm	Solid brass copper-plated, matt brushed, lacquered	3.458 €
ONE 58 – Br	Solid brass bronzed, lacquered	3.608 €
ONE 58 – Bd	Solid brass dark-bronzed, lacquered	3.909 €

*The listed net prices do not include shipping costs
- according to price table on pages 82/83.*

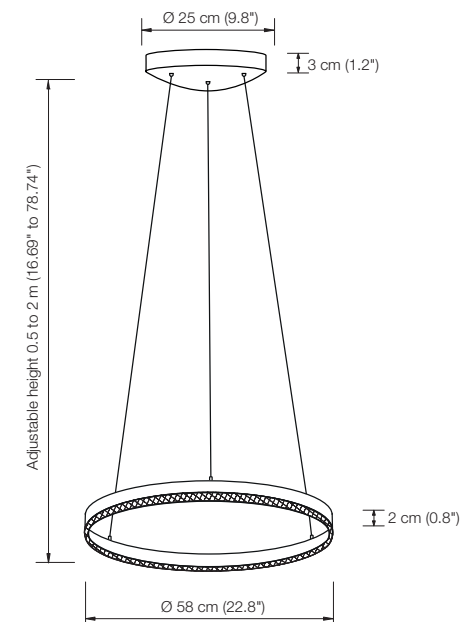
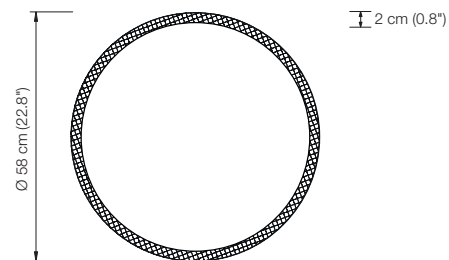
* Other heights: available on request.

** DALI-Modul with Casambi Dimmer 165 €

Alternatively, we recommend (*non-binding*)

the following dimmer brands:

- Jung 1731DD
- Feller 40300.RC
- Arditì 027505
- Kopp 8033



ONE 80

LED chandelier

Designed by: Florian Schulz + Jens Schump

Height: adjustable 0.5 to 2 m (16.69" to 78.74") (standard)*

Ø Ring: 80 cm (31.5")

Ø Canopy: 25 cm (9.8")

Bulb: LED (43 Watt) with glare protection incl. light upwards and downwards approx. 4.200 Lumen

Color temperature: warmwhite 2700 K

Color rendering: > 95 Ra

Dimmer: possible via house installation (standard)**

ONE 80 – Ms	Solid brass polished, lacquered	3.876 €
ONE 80 – Mt	Solid brass matt brushed, lacquered	4.264 €
ONE 80 – Ni	Solid brass, nickel-plated	3.876 €
ONE 80 – Nm	Solid brass nickel-plated, matt brushed	4.264 €
ONE 80 – Cr	Solid brass, chrome-plated	4.264 €
ONE 80 – Cu	Solid brass copper-plated, lacquered	4.264 €
ONE 80 – Cm	Solid brass copper-plated, matt brushed, lacquered	4.457 €
ONE 80 – Br	Solid brass bronzed, lacquered	4.651 €
ONE 80 – Bd	Solid brass dark-bronzed, lacquered	5.039 €

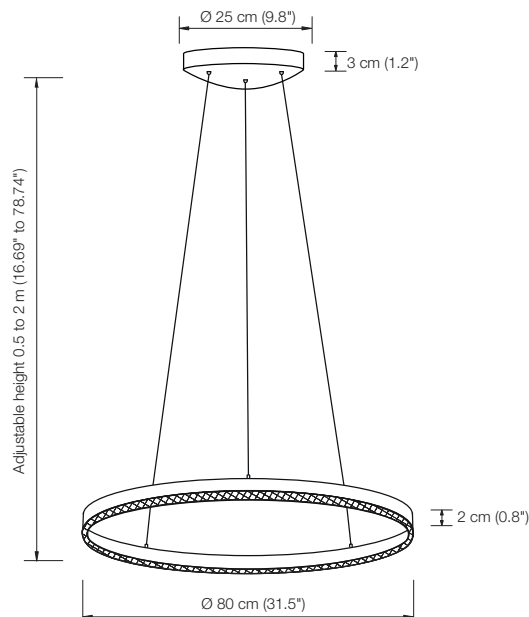
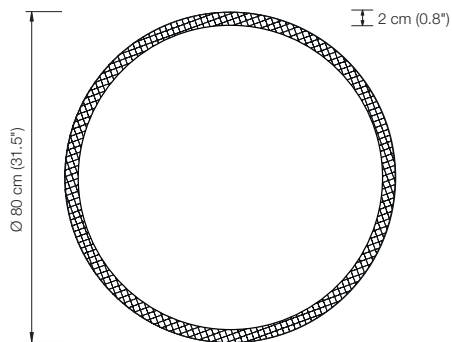
The listed net prices do not include shipping costs
- according to price table on pages 82/83.

* Other heights: available on request.

** DALI-Modul with Casambi Dimmer 165 €

Alternatively, we recommend (non-binding) the following dimmer brands:

- Jung 1731DD
- Feller 40300.RC
- Arditi 027505
- Kopp 8033





OVA LED chandelier

Designed by: Florian Schulz + Jens Schump

Height: adjustable 1.5 to 2 m (59.06" to 78.74") (standard)*

Oval shade: 125 cm long, 47 wide, 4 cm high
(49.2" long, 18.5" wide, 1.6" high)

Canopy: 47 cm long, 14 cm wide, 5 cm high
(18.5" long, 5.5" wide, 2" high)

Illuminant: LED with glare protection incl.
light upwards and downwards
approx. 4800 Lumen**

Color temperature: warmwhite 2700 K***

Color rendering: > 95 Ra

Dimmer: possible via house installation (standard)****

OVA – Ms	Solid brass polished, lacquered	4.998 €
OVA – Mt	Solid brass matt brushed, lacquered	5.498 €
OVA – Ni	Solid brass, nickel-plated	4.998 €
OVA – Nm	Solid brass nickel-plated, matt brushed	5.498 €
OVA – Cr	Solid brass, chrome-plated	5.498 €
OVA – Cu	Solid brass copper-plated, lacquered	5.498 €
OVA – Cm	Solid brass copper-plated, matt brushed, lacquered	5.748 €
OVA – Br	Solid brass bronzed, lacquered	5.998 €
OVA – Bd	Solid brass dark-bronzed, lacquered	6.497 €

The listed net prices do not include shipping costs
- according to price table on pages 82/83.

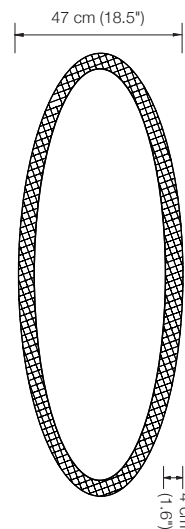
* Other heights possible, each with a range of 50 cm (19.7").

** Higher lumens on request.

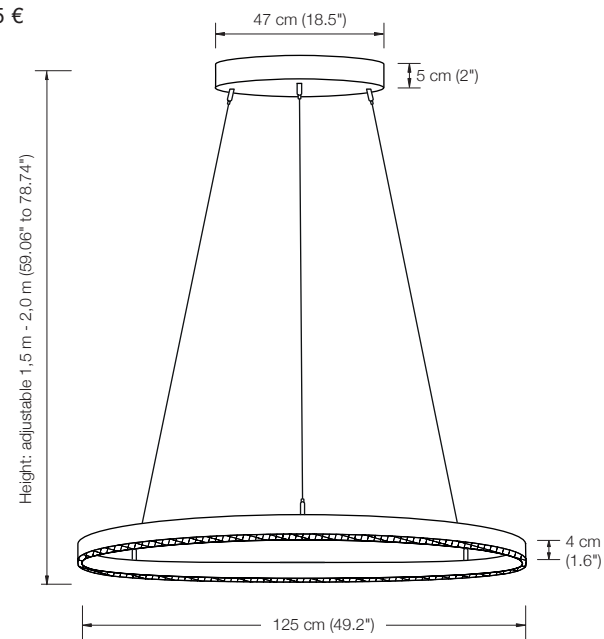
*** 3000K + 4000K on request.

**** DALI-Modul with Casambi Dimmer
Alternatively, we recommend (*non-binding*)
the following dimmer brands:

- Jung 1731DD
- Feller 40300.RC
- Arditì 027505
- Kopp 8033



165 €







MESA 18

Chandelier

18 removable metal arms

Designed by: Florian Schulz

Total height: min. 85 cm (33.5") - max. 305 cm (120.1") *

Ø: 88 cm (34.6")

Lampholder: 18 x G4, max. 18 x 20 W / 12 V

Bulb: 18 x G4 incl., dimmable

Dimmer: brightness control is possible **

MESA 18 – Ms	Solid brass polished, lacquered	3.695 €
MESA 18 – Mt	Solid brass matt brushed, lacquered	4.065 €
MESA 18 – Ni	Solid brass, nickel-plated	3.695 €
MESA 18 – Nm	Solid brass nickel-plated, matt brushed	4.065 €
MESA 18 – Cr	Solid brass, chrome-plated	4.065 €
MESA 18 – Cu	Solid brass copper-plated, lacquered	4.065 €
MESA 18 – Cm	Solid brass copper-plated, matt brushed, lacquered	4.250 €
MESA 18 – Br	Solid brass bronzed, lacquered	4.435 €
MESA 18 – Bd	Solid brass dark-bronzed, lacquered	4.804 €

The listed net prices do not include shipping costs

- according to price table on pages 82/83.

* telescopic adjustment:

Total height 85 – 125 cm (33.5" – 49.2") (standard)

Total height 115 – 185 cm (45.3" – 72.8")

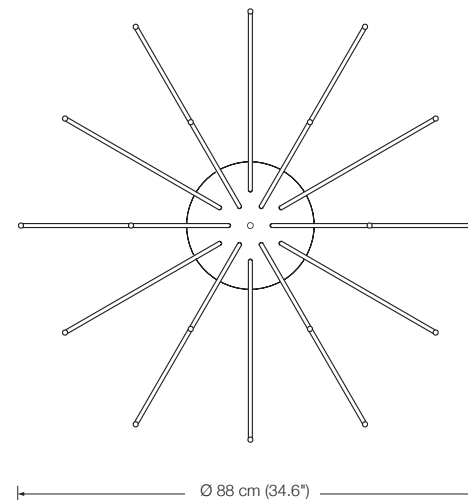
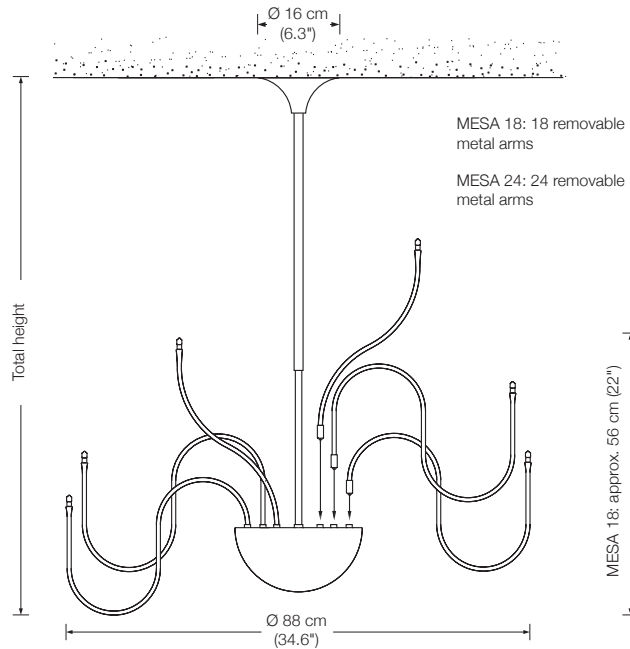
Total height 175 – 305 cm (68.9" – 120.1")

Other options available on request.

Please indicate with order.

** These lamps are equipped with 2 electronic transformers of 210 VA capacity each.

LED version on request.



MESA 24

Chandelier

24 removable metal arms

Designed by: Florian Schulz

Total height: min. 95 (37.4") - max. 315 cm (53.1") *

Ø: 140 cm (55.1")

Lampholder: 24 x G4, max. 24 x 20 W / 12 V

Bulb: 24 x G4 incl., dimmable

Dimmer: brightness control is possible **

MESA 24 – Ms	Solid brass polished, lacquered	4.467 €
MESA 24 – Mt	Solid brass matt brushed, lacquered	4.912 €
MESA 24 – Ni	Solid brass, nickel-plated	4.467 €
MESA 24 – Nm	Solid brass nickel-plated, matt brushed	4.912 €
MESA 24 – Cr	Solid brass, chrome-plated	4.912 €
MESA 24 – Cu	Solid brass copper-plated, lacquered	4.913 €
MESA 24 – Cm	Solid brass copper-plated, matt brushed, lacquered	5.137 €
MESA 24 – Br	Solid brass bronzed, lacquered	5.360 €
MESA 24 – Bd	Solid brass dark-bronzed, lacquered	5.807 €

The listed net prices do not include shipping costs

- according to price table on pages 82/83.

* telescopic adjustment:

Total height 95 – 135 cm (37.4" – 53.1") (standard)

Total height 125 – 195 cm (49.2" – 76.8")

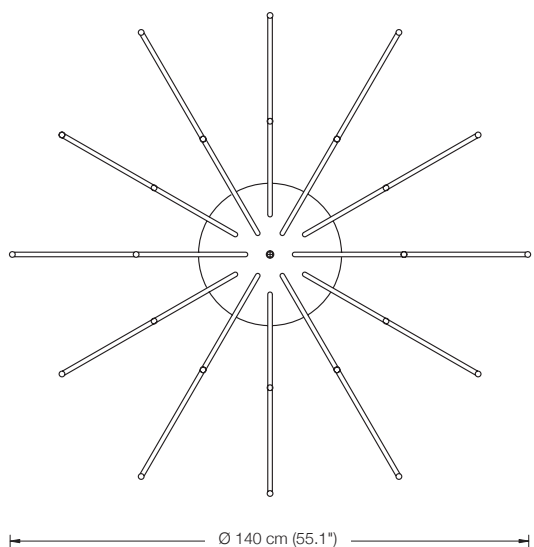
Total height 185 – 315 cm (72.8" – 124")

Other options available on request.

Please indicate with order.

** These lamps are equipped with 3 electronic transformers of 210 VA capacity each.

LED version on request.





LOT

Floor lamp

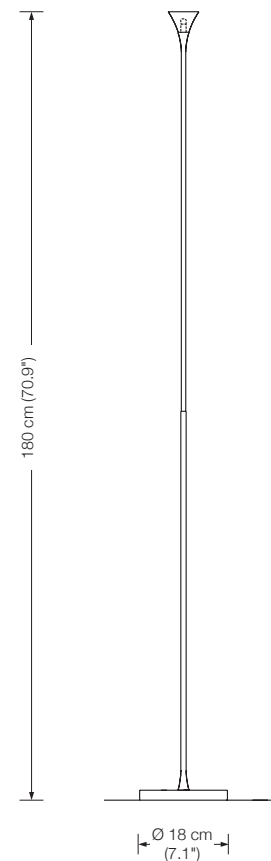
Designed by: Florian Schulz

Height: 180 cm (70.9")
Shade: TEFLON white, Ø 7 cm (2.8")
Lampholder: GY6.35, max. 50 W / 12 V
Bulb: 1 x G6 incl., 50 W $\hat{=}$ 75 W, dimmable
Electric wire: 2,5 m (8.2 ft)
Dimmer: sensor (touch dimmer)*

LOT – Ms	Solid brass polished, lacquered	1.037 €
LOT – Mt	Solid brass matt brushed, lacquered	1.141 €
LOT – Ni	Solid brass, nickel-plated	1.037 €
LOT – Nm	Solid brass nickel-plated, matt brushed	1.141 €
LOT – Cr	Solid brass, chrome-plated	1.141 €
LOT – Cu	Solid brass copper-plated, lacquered	1.141 €
LOT – Cm	Solid brass copper-plated, matt brushed, lacquered	1.193 €
LOT – Br	Solid brass bronzed, lacquered	1.245 €
LOT – Bd	Solid brass dark-bronzed, lacquered	1.349 €

*The listed net prices do not include shipping costs
- according to price table on pages 82/83.*

* Also available: dimmer on cord
Please indicate with order



OKON

Floor lamp

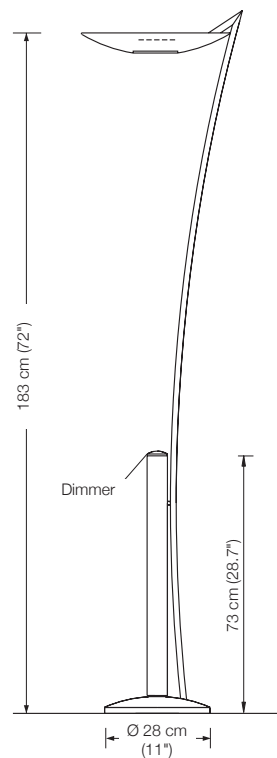
Discontinued Model

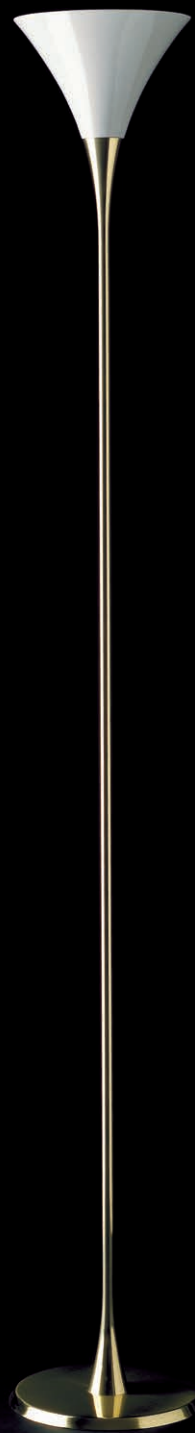
Designed by: Florian Schulz

Height: 183 cm (72")
Shade: metal Ø 40 cm (15.7") bottom glass diffuser
Lampholder: R7s, max. 500 W
Bulb: 1 x R7s incl., dimmable
Electric wire: 5 m (16.4 ft)
Dimmer: built in

OKON – Ms	Solid brass polished, lacquered	2.563 €
OKON – Mt	Solid brass matt brushed, lacquered	2.819 €
OKON – Ni	Solid brass, nickel-plated	2.563 €
OKON – Nm	Solid brass nickel-plated, matt brushed	2.819 €
OKON – Cr	Solid brass, chrome-plated	2.819 €
OKON – Cu	Solid brass copper-plated, lacquered	2.820 €
OKON – Cm	Solid brass copper-plated, matt brushed, lacquered	2.948 €
OKON – Br	Solid brass bronzed, lacquered	3.076 €
OKON – Bd	Solid brass dark-bronzed, lacquered	3.332 €

*The listed net prices do not include shipping costs
- according to price table on pages 82/83.*





LONEA

Floor lamp

Designed by: Florian Schulz

Height: 180 cm (70.9")

Shade: glass white-opal, Ø 23 cm (9.1")

Lampholder: E27, max. 250 W

Bulb: 1 x OS E27 Parathom incl., 2452 Lumen,
21 W $\hat{=}$ 150 W, 2700° K, dimmable

Electric wire: 3 m (9.8 ft)

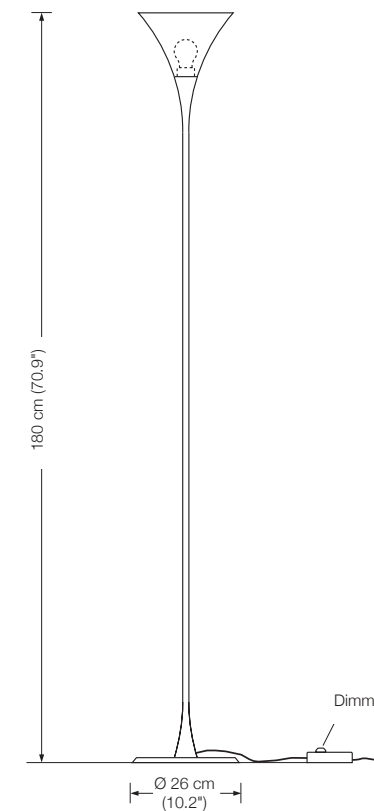
Dimmer: on cord

LONEA – Ms	Solid brass polished, lacquered	1.143 €
LONEA – Mt	Solid brass matt brushed, lacquered	1.259 €
LONEA – Ni	Solid brass, nickel-plated	1.143 €
LONEA – Nm	Solid brass nickel-plated, matt brushed	1.259 €
LONEA – Cr	Solid brass, chrome-plated	1.259 €
LONEA – Cu	Solid brass copper-plated, lacquered	1.259 €
LONEA – Cm	Solid brass copper-plated, matt brushed, lacquered	1.315 €
LONEA – Br	Solid brass bronzed, lacquered	1.372 €
LONEA – Bd	Solid brass dark-bronzed, lacquered	1.486 €

*The listed net prices do not include shipping costs
- according to price table on pages 82/83.*



Ø 23 cm
(9.1")



LONEA SD

Floor lamp

Designed by: Florian Schulz

Height: 160 - 190 cm (63"- 74.8") adjustable

Shade: glass white-opal, Ø 23 cm (9.1")

Lampholder: E27, max. 250 W

Bulb: 1 x OS E27 Parathom incl., 2452 Lumen,
21 W \triangle 150 W, 2700° K, dimmable

Electric wire: 3 m (9.8 ft)

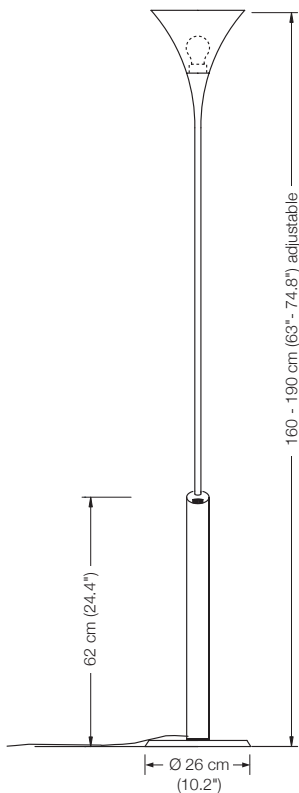
Dimmer: built in

LONEA SD – Ms	Solid brass polished, lacquered	1.401 €
LONEA SD – Mt	Solid brass matt brushed, lacquered	1.542 €
LONEA SD – Ni	Solid brass, nickel-plated	1.401 €
LONEA SD – Nm	Solid brass nickel-plated, matt brushed	1.542 €
LONEA SD – Cr	Solid brass, chrome-plated	1.542 €
LONEA SD – Cu	Solid brass copper-plated, lacquered	1.542 €
LONEA SD – Cm	Solid brass copper-plated, matt brushed, lacquered	1.612 €
LONEA SD – Br	Solid brass bronzed, lacquered	1.682 €
LONEA SD – Bd	Solid brass dark-bronzed, lacquered	1.822 €

*The listed net prices do not include shipping costs
- according to price table on pages 82/83.*



Ø 23 cm
(9.1")





MYOS

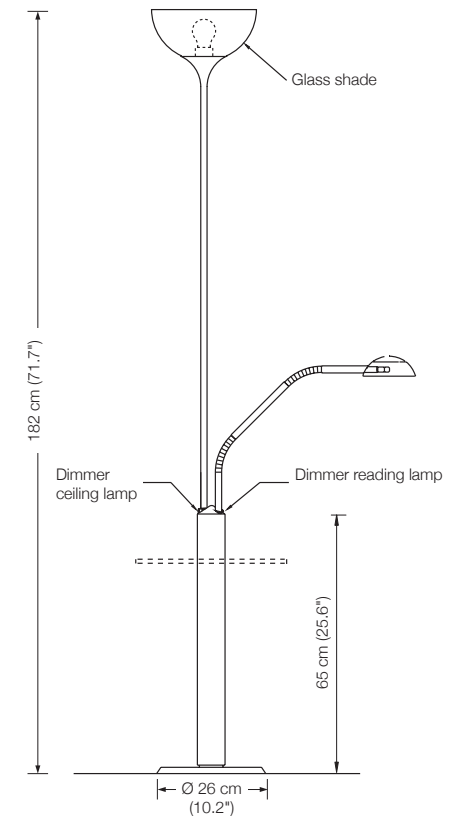
Floor lamp / Floor reading lamp

Designed by:	Florian Schulz
Height:	182 cm (71.7")
Width reading lamp:	approx. 50 cm (19.7")
Shade floor lamp:	glass white-opal, Ø 26 cm (10.2")
Shade reading lamp:	metal Ø 12 cm (4.7"), adjustable
Lampholder floor lamp:	E27, max. 250 W / 230 V
Bulb floor lamp:	1 x E27 LED á 1521 Lumen, 14,5 W incl. 2700° K, dimmable
Lampholder reading lamp:	GY6.35, max. 50 W / 12 V
Bulb reading lamp:	1 x G6 incl., 35 W $\hat{=}$ 50 W, dimmable
Electric wire:	4 m (13.1 ft)
Dimmer:	2 x built in

MYOS – Ms	Solid brass polished, lacquered	2.177 €
MYOS – Mt	Solid brass matt brushed, lacquered	2.394 €
MYOS – Ni	Solid brass, nickel-plated	2.177 €
MYOS – Nm	Solid brass nickel-plated, matt brushed	2.394 €
MYOS – Cr	Solid brass, chrome-plated	2.394 €
MYOS – Cu	Solid brass copper-plated, lacquered	2.394 €
MYOS – Cm	Solid brass copper-plated, matt brushed, lacquered	2.503 €
MYOS – Br	Solid brass bronzed, lacquered	2.612 €
MYOS – Bd	Solid brass dark-bronzed, lacquered	2.830 €
Glass tabletop		360 €

Ø 36 cm (14.2"), height 50 cm (19.7"), clear glass 10 mm (0.4")

The listed net prices do not include shipping costs - according to price table on pages 82/83.



MYOS T

Floor lamp / Floor reading lamp

Designed by:	Florian Schulz
Height:	182 cm (71.7")
Width reading lamp:	approx. 50 cm (19.7")
Shade reading lamp:	metal Ø 12 cm (4.7"), adjustable
Lampholder floor lamp:	E27, max. 250 W / 230 V
Bulb floor lamp:	1 x E27 LED á 1521 Lumen, 14,5 W incl. 2700° K, dimmable
Lampholder reading lamp:	GY6.35, max. 50 W / 12 V
Bulb reading lamp:	1 x G6 incl., 35 W $\hat{=}$ 50 W, dimmable
Electric wire:	4 m (13.1 ft)
Dimmer:	2 x built in

MYOS T 40

Shade floor lamp: glass white-opal, Ø 40 cm (15.7")

MYOS T 40 – Ms	Solid brass polished, lacquered	2.225 €
MYOS T 40 – Mt	Solid brass matt brushed, lacquered	2.447 €
MYOS T 40 – Ni	Solid brass, nickel-plated	2.225 €
MYOS T 40 – Nm	Solid brass nickel-plated, matt brushed	2.447 €
MYOS T 40 – Cr	Solid brass, chrome-plated	2.447 €
MYOS T 40 – Cu	Solid brass copper-plated, lacquered	2.447 €
MYOS T 40 – Cm	Solid brass copper-plated, matt brushed, lacquered	2.558 €
MYOS T 40 – Br	Solid brass bronzed, lacquered	2.670 €
MYOS T 40 – Bd	Solid brass dark-bronzed, lacquered	2.892 €
Glass tabletop		360 €

Ø 36 cm (14.2"), height 50 cm (19.7"), clear glass 10 mm (0.4")

The listed net prices do not include shipping costs - according to price table on pages 82/83.

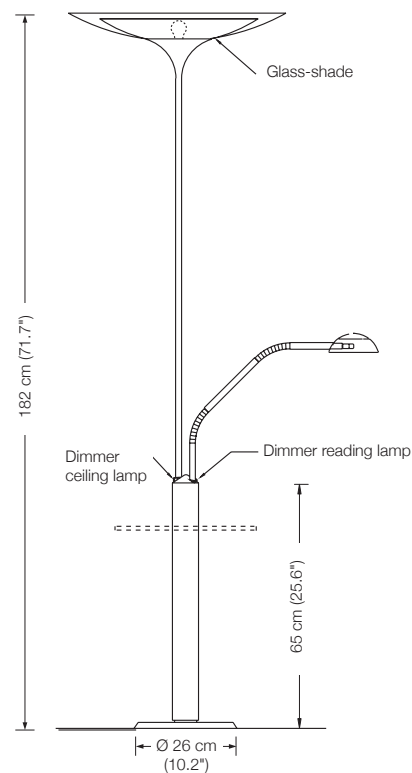
MYOS T 55

Shade floor lamp: glass white-opal, Ø 55 cm (21.7")

MYOS T 55 – Ms	Solid brass polished, lacquered	2.232 €
MYOS T 55 – Mt	Solid brass matt brushed, lacquered	2.455 €
MYOS T 55 – Ni	Solid brass, nickel-plated	2.232 €
MYOS T 55 – Nm	Solid brass nickel-plated, matt brushed	2.455 €
MYOS T 55 – Cr	Solid brass, chrome-plated	2.455 €
MYOS T 55 – Cu	Solid brass copper-plated, lacquered	2.455 €
MYOS T 55 – Cm	Solid brass copper-plated, matt brushed, lacquered	2.567 €
MYOS T 55 – Br	Solid brass bronzed, lacquered	2.678 €
MYOS T 55 – Bd	Solid brass dark-bronzed, lacquered	2.901 €
Glass tabletop		360 €

Ø 36 cm (14.2"), height 50 cm (19.7"), clear glass 10 mm (0.4")

The listed net prices do not include shipping costs - according to price table on pages 82/83.





TAOS

Floor lamp

Designed by: Florian Schulz
 Height: 160 - 210 cm (63" - 82.7") adjustable
 Lampholder: E27, max. 150 W
 Bulb: 1 x E27 LED á 1521 Lumen, 14,5 W incl.
 2700° K, dimmable
 Electric wire: 3 m (9.8 ft)
 Dimmer: on cord

TAOS 55

Shade: glass white-opal Ø 55 cm (21.7")

TAOS 55 – Ms	Solid brass polished, lacquered	1.269 €
TAOS 55 – Mt	Solid brass matt brushed, lacquered	1.371 €
TAOS 55 – Ni	Solid brass, nickel-plated	1.269 €
TAOS 55 – Nm	Solid brass nickel-plated, matt brushed	1.371 €
TAOS 55 – Cr	Solid brass, chrome-plated	1.371 €
TAOS 55 – Cu	Solid brass copper-plated, lacquered	1.396 €
TAOS 55 – Cm	Solid brass copper-plated, matt brushed, lacquered	1.459 €
TAOS 55 – Br	Solid brass bronzed, lacquered	1.523 €
TAOS 55 – Bd	Solid brass dark-bronzed, lacquered	1.650 €

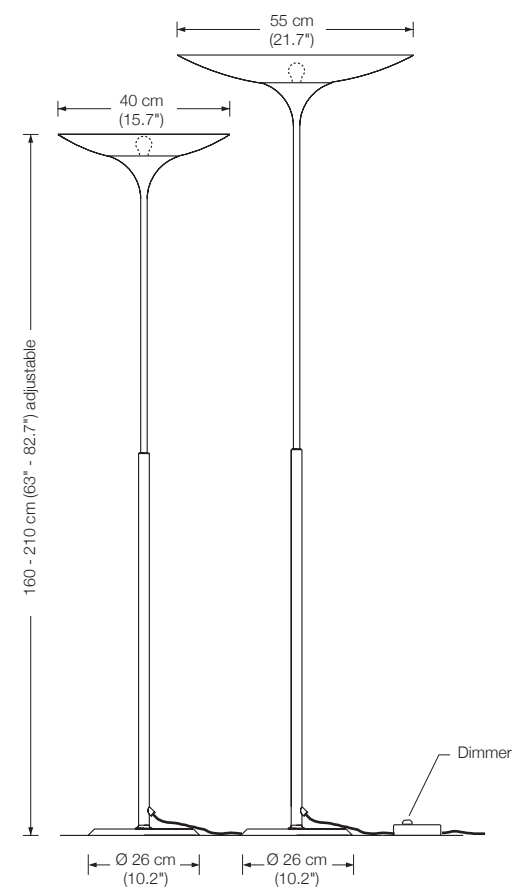
*The listed net prices do not include shipping costs
 - according to price table on pages 82/83.*

TAOS 40

Shade: glass white-opal Ø 40 cm (15.7")

TAOS 40 – Ms	Solid brass polished, lacquered	1.254 €
TAOS 40 – Mt	Solid brass matt brushed, lacquered	1.354 €
TAOS 40 – Ni	Solid brass, nickel-plated	1.254 €
TAOS 40 – Nm	Solid brass nickel-plated, matt brushed	1.354 €
TAOS 40 – Cr	Solid brass, chrome-plated	1.354 €
TAOS 40 – Cu	Solid brass copper-plated, lacquered	1.379 €
TAOS 40 – Cm	Solid brass copper-plated, matt brushed, lacquered	1.442 €
TAOS 40 – Br	Solid brass bronzed, lacquered	1.504 €
TAOS 40 – Bd	Solid brass dark-bronzed, lacquered	1.630 €

*The listed net prices do not include shipping costs
 - according to price table on pages 82/83.*



TAOS SD

Floor lamp

Designed by: Florian Schulz

Height: 160 - 190 cm (63" - 74.8") adjustable
Lampholder: E27 max. 150 W
Bulb: 1 x E27 LED á 1521 Lumen, 14,5 W incl.
2700° K, dimmable
Electric wire: 3 m (9.8 ft)
Dimmer: built in

TAOS 55 SD

Shade: glass white-opal Ø 55 cm (21.7")

TAOS 55 SD – Ms	Solid brass polished, lacquered	1.490 €
TAOS 55 SD – Mt	Solid brass matt brushed, lacquered	1.609 €
TAOS 55 SD – Ni	Solid brass, nickel-plated	1.490 €
TAOS 55 SD – Nm	Solid brass nickel-plated, matt brushed	1.609 €
TAOS 55 SD – Cr	Solid brass, chrome-plated	1.609 €
TAOS 55 SD – Cu	Solid brass copper-plated, lacquered	1.639 €
TAOS 55 SD – Cm	Solid brass copper-plated, matt brushed, lacquered	1.714 €
TAOS 55 SD – Br	Solid brass bronzed, lacquered	1.788 €
TAOS 55 SD – Bd	Solid brass dark-bronzed, lacquered	1.937 €

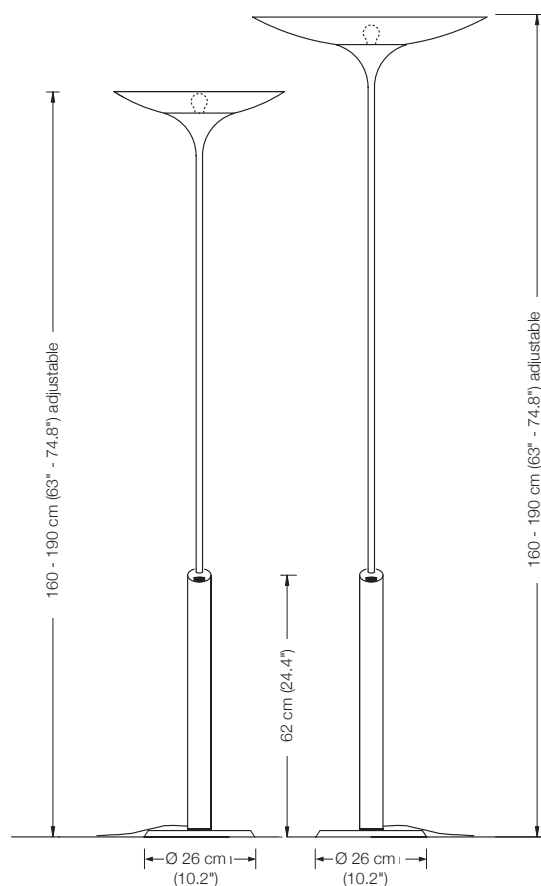
*The listed net prices do not include shipping costs
- according to price table on pages 82/83.*

TAOS 40 SD

Shade: glass white-opal Ø 40 cm (15.7")

TAOS 40 SD – Ms	Solid brass polished, lacquered	1.451 €
TAOS 40 SD – Mt	Solid brass matt brushed, lacquered	1.567 €
TAOS 40 SD – Ni	Solid brass, nickel-plated	1.451 €
TAOS 40 SD – Nm	Solid brass nickel-plated, matt brushed	1.567 €
TAOS 40 SD – Cr	Solid brass, chrome-plated	1.567 €
TAOS 40 SD – Cu	Solid brass copper-plated, lacquered	1.597 €
TAOS 40 SD – Cm	Solid brass copper-plated, matt brushed, lacquered	1.669 €
TAOS 40 SD – Br	Solid brass bronzed, lacquered	1.742 €
TAOS 40 SD – Bd	Solid brass dark-bronzed, lacquered	1.887 €

*The listed net prices do not include shipping costs
- according to price table on pages 82/83.*





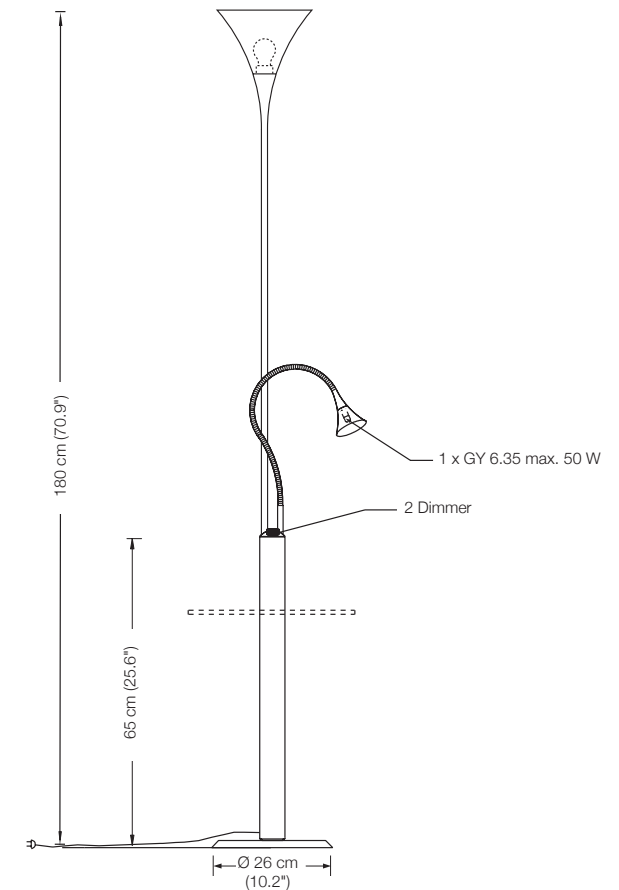
VAYO

Floor lamp / Reading lamp

Designed by:	Florian Schulz
Height:	180 cm (70.9")
Width reading lamp:	approx. 50 cm (19.7")
Shade floor lamp:	glass white-opal, Ø 23 cm (9.1")
Shade reading lamp:	TEFLON white Ø 7 cm (2.8")
Lampholder floor lamp:	E27, max. 150 W / 230 V
Bulb floor lamp:	1 x OS E27 Parathom incl., 2452 Lumen, 21 W \triangleq 150 W, 2700° K, dimmable
Lampholder reading lamp:	GY6.35, max. 50 W / 12 V
Bulb reading lamp:	1 x G6 incl., dimmable
Electric wire:	4 m (13.1 ft)
Dimmer:	2 x built in

VAYO – Ms	Solid brass polished, lacquered	1.602 €
VAYO – Mt	Solid brass matt brushed, lacquered	1.730 €
VAYO – Ni	Solid brass, nickel-plated	1.602 €
VAYO – Nm	Solid brass nickel-plated, matt brushed	1.730 €
VAYO – Cr	Solid brass, chrome-plated	1.730 €
VAYO – Cu	Solid brass copper-plated, lacquered	1.763 €
VAYO – Cm	Solid brass copper-plated, matt brushed, lacquered	1.843 €
VAYO – Br	Solid brass bronzed, lacquered	1.923 €
VAYO – Bd	Solid brass dark-bronzed, lacquered	2.083 €
Glass tabletop		360 €
Ø 36 cm (14.2"), height 50 cm (19.7"), clear glass 10 mm (0.4")		

The listed net prices do not include shipping costs
- according to price table on pages 82/83.



UNA Discontinued Model

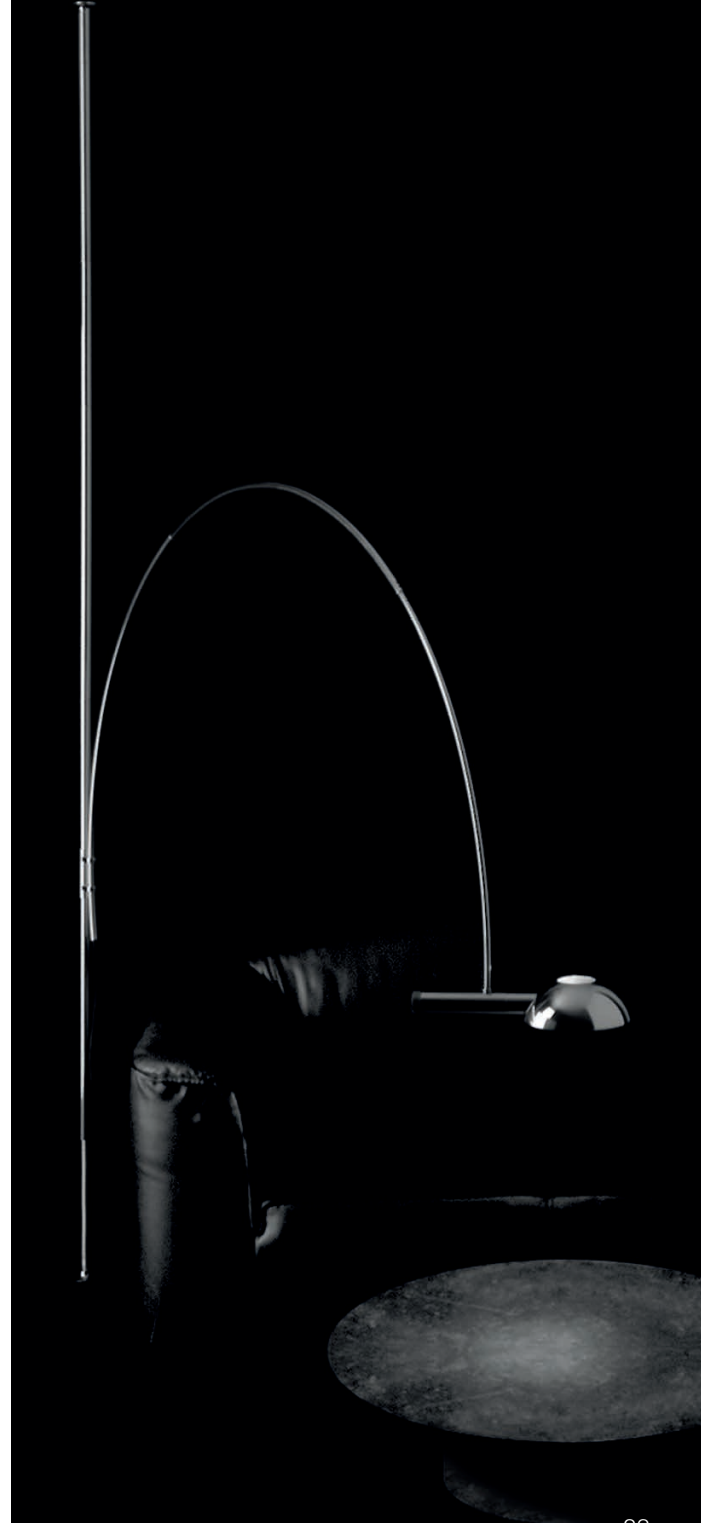
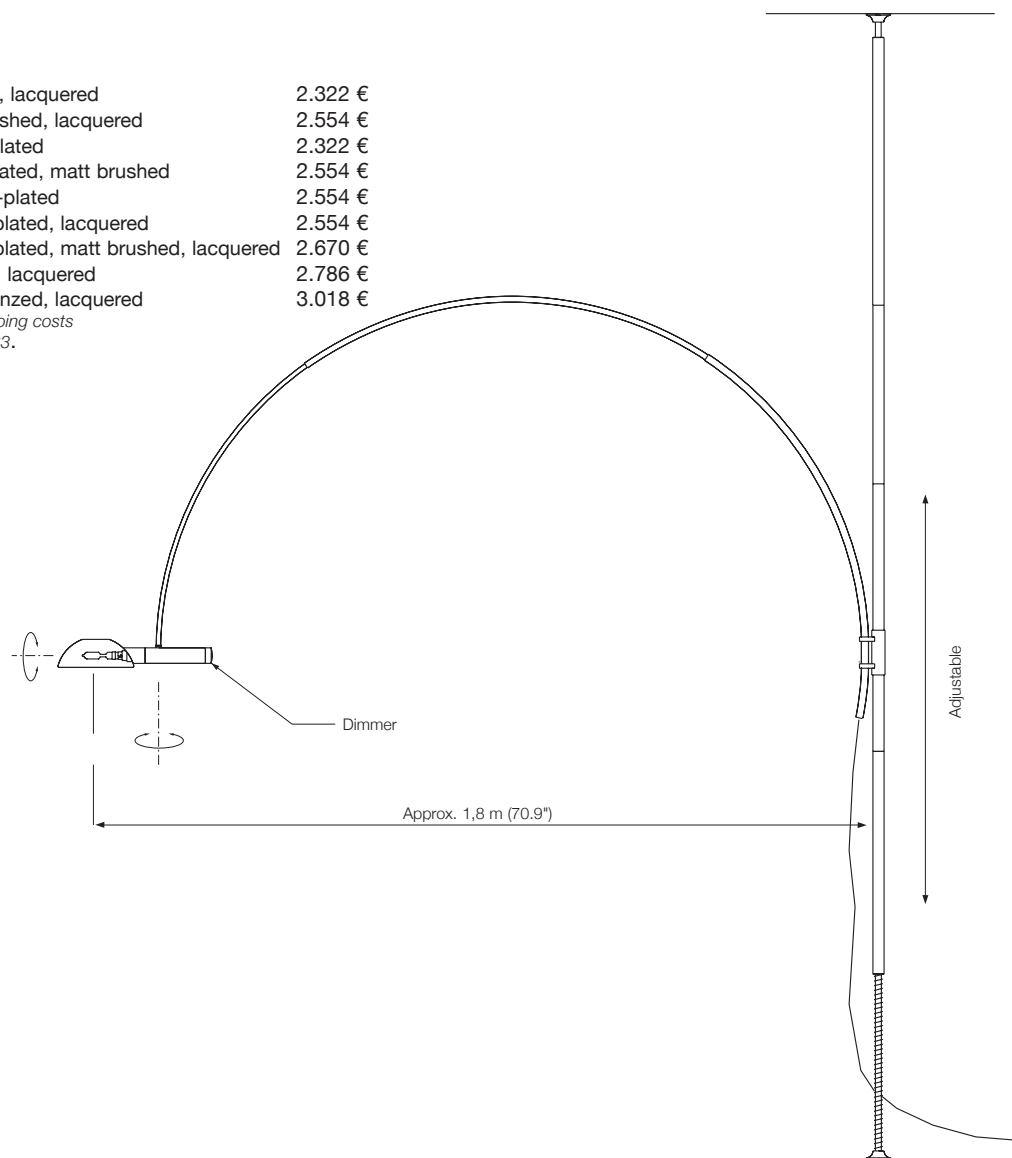
Arc floor lamp
mounting between floor and ceiling
variable up to 3.20 m (10,5 ft) room height
arc height adjustable

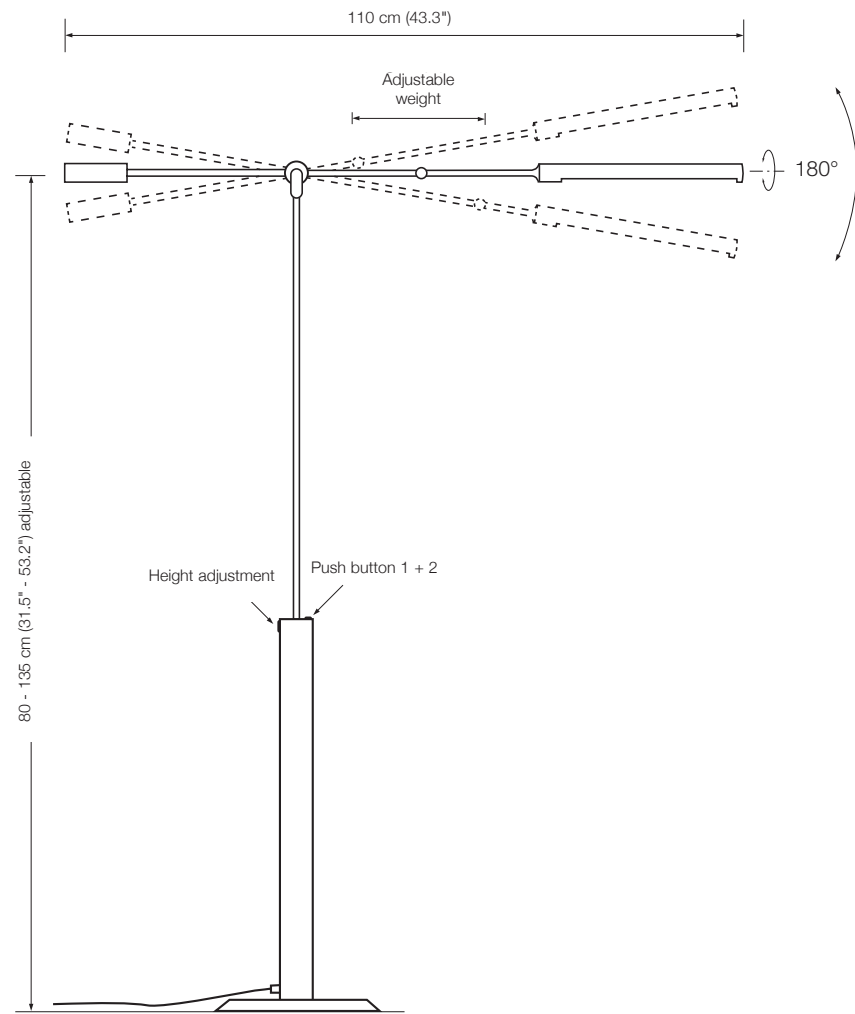
Designed by: Florian Schulz

Shade: metal, Ø 17 cm (6.7"), rotatable
Lampholder: B15d, max. 250 W
Bulb: 1 x B15d incl., dimmable
Electric wire: 5 m (16.4 ft)
Dimmer: built in

UNA – Ms	Solid brass polished, lacquered	2.322 €
UNA – Mt	Solid brass matt brushed, lacquered	2.554 €
UNA – Ni	Solid brass, nickel-plated	2.322 €
UNA – Nm	Solid brass nickel-plated, matt brushed	2.554 €
UNA – Cr	Solid brass, chrome-plated	2.554 €
UNA – Cu	Solid brass copper-plated, lacquered	2.554 €
UNA – Cm	Solid brass copper-plated, matt brushed, lacquered	2.670 €
UNA – Br	Solid brass bronzed, lacquered	2.786 €
UNA – Bd	Solid brass dark-bronzed, lacquered	3.018 €

The listed net prices do not include shipping costs
- according to price table on pages 82/83.





DROP

Floor reading lamp / Piano light

Designed by: Jens Schump

Height: adjustable from 80 – 135 cm (31.5" – 53.1")

Width: 70 cm (27.6")

Shade: Ø 3 cm (1.2"), approx. 34 cm (13.4") long, 180° rotatable

Bulb: LED-Line TW (approx. 18,6 W) incl., exchangeable
approx. 1800 Lumen, dimmable

Push button 1: tuning white infinitely variable from 2700° – 5700° K

Push button 2: on / off / dimming

Color rendering: > 95 Ra

Electric wire: 3 m (9.8 ft) textile cable black (standard)

Dimmer: built in

DROP – Ms	Solid brass polished, lacquered	1.624 €
DROP – Mt	Solid brass matt brushed, lacquered	1.786 €
DROP – Ni	Solid brass, nickel-plated	1.624 €
DROP – Nm	Solid brass nickel-plated, matt brushed	1.786 €
DROP – Cr	Solid brass, chrome-plated	1.786 €
DROP – Cu	Solid brass copper-plated, lacquered	1.786 €
DROP – Cm	Solid brass copper-plated, matt brushed, lacquered	1.867 €
DROP – Br	Solid brass bronzed, lacquered	1.949 €
DROP – Bd	Solid brass dark-bronzed, lacquered	2.111 €

The listed net prices do not include shipping costs

- according to price table on pages 82/83.





PIN Discontinued Model

Floor reading lamp

Designed by: Florian Schulz

Height: 100 - 135 cm (39.4" - 53.2") adjustable
 Width: approx. 52 cm (20.5")
 Bulb: 1 x LED 150 (approx. 6,4 Watt) incl.
 exchangeable
 approx. 650 Lumen

Color temperature: warmwhite 2700 K
 Color rendering: > 90 Ra
 Electric wire: 3 m (9.8 ft)

PIN – Ms	Solid brass polished, lacquered	878 €
PIN – Mt	Solid brass matt brushed, lacquered	964 €
PIN – Ni	Solid brass, nickel-plated	878 €
PIN – Nm	Solid brass nickel-plated, matt brushed	964 €
PIN – Cr	Solid brass, chrome-plated	964 €
PIN – Cu	Solid brass copper-plated, lacquered	966 €
PIN – Cm	Solid brass copper-plated, matt brushed, lacquered	1.010 €
PIN – Br	Solid brass bronzed, lacquered	1.054 €
PIN – Bd	Solid brass dark-bronzed, lacquered	1.142 €

*The listed net prices do not include shipping costs
 - according to price table on pages 82/83.*

PIN d

Floor reading lamp dimmable

Designed by: Florian Schulz

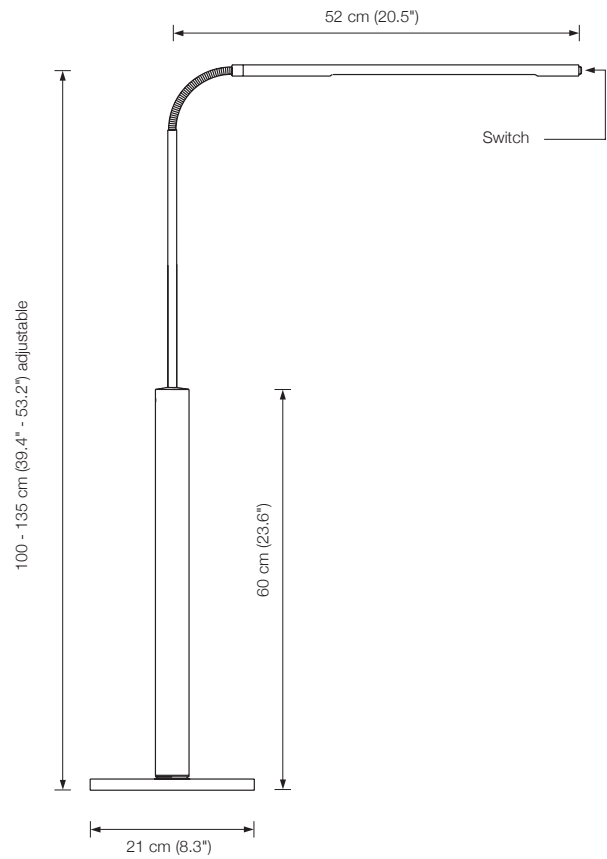
Height: 105 - 140 cm (41.3" - 55.1") adjustable
 Width: approx. 52 cm (20.5")
 Bulb: 1 x LED 150 (approx. 8,4 Watt) incl.
 exchangeable
 approx. 840 Lumen

Color temperature: warmwhite 2700 K
 Color rendering: > 90 Ra
 Electric wire: 3 m (9.8 ft)
 Dimmer: built in



PIN d – Ms	Solid brass polished, lacquered	1.007 €
PIN d – Mt	Solid brass matt brushed, lacquered	1.104 €
PIN d – Ni	Solid brass, nickel-plated	1.007 €
PIN d – Nm	Solid brass nickel-plated, matt brushed	1.104 €
PIN d – Cr	Solid brass, chrome-plated	1.104 €
PIN d – Cu	Solid brass copper-plated, lacquered	1.107 €
PIN d – Cm	Solid brass copper-plated, matt brushed, lacquered	1.158 €
PIN d – Br	Solid brass bronzed, lacquered	1.208 €
PIN d – Bd	Solid brass dark-bronzed, lacquered	1.309 €

*The listed net prices do not include shipping costs
 - according to price table on pages 82/83.*





GO 30

Floor reading lamp

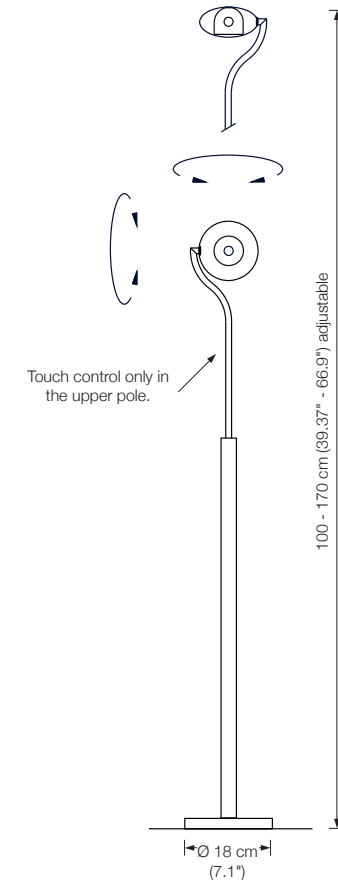
Designed by: Florian Schulz + Jens Schump

Height: 100 - 170 cm (39.37" - 66.9") adjustable
 Shade: TEFLON white, Ø 10 cm (3.9")
 Lampholder: GY6.35, max. 50 W
 Bulb: 1 x G6 incl., dimmable
 Electric wire: 2,5 m (8.2 ft)
 Dimmer: sensor (touch dimmer)*

GO 30 – Ms	Solid brass polished, lacquered	900 €
GO 30 – Mt	Solid brass matt brushed, lacquered	985 €
GO 30 – Ni	Solid brass, nickel-plated	900 €
GO 30 – Nm	Solid brass nickel-plated, matt brushed	985 €
GO 30 – Cr	Solid brass, chrome-plated	985 €
GO 30 – Cu	Solid brass copper-plated, lacquered	990 €
GO 30 – Cm	Solid brass copper-plated, matt brushed, lacquered	1.035 €
GO 30 – Br	Solid brass bronzed, lacquered	1.080 €
GO 30 – Bd	Solid brass dark-bronzed, lacquered	1.170 €

*The listed net prices do not include shipping costs
 - according to price table on pages 82/83.*

* Also available: dimmer on cord
 Please indicate with order.



LIN

Floor reading lamp flexible and specially reinforced metal arm

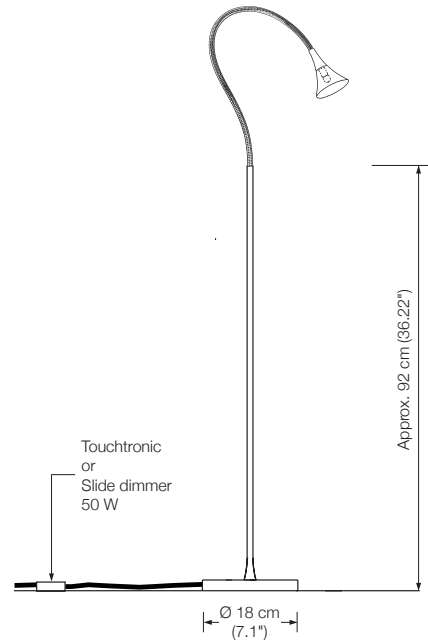
Designed by: Florian Schulz

Height: approx. 140 cm (55.1")
Shade: TEFLON white, Ø 7 cm (2.8")
Lampholder: GY6.35, max. 50 W / 12 V
Bulb: 1 x G6 incl., 50 W $\hat{=}$ 75 W, dimmable
Electric wire: 2,5 m (8.2 ft)
Dimmer: sensor (touch dimmer)*

LIN – Ms	Solid brass polished, lacquered	895 €
LIN – Mt	Solid brass matt brushed, lacquered	984 €
LIN – Ni	Solid brass, nickel-plated	895 €
LIN – Nm	Solid brass nickel-plated, matt brushed	984 €
LIN – Cr	Solid brass, chrome-plated	984 €
LIN – Cu	Solid brass copper-plated, lacquered	984 €
LIN – Cm	Solid brass copper-plated, matt brushed, lacquered	1.029 €
LIN – Br	Solid brass bronzed, lacquered	1.073 €
LIN – Bd	Solid brass dark-bronzed, lacquered	1.163 €

*The listed net prices do not include shipping costs
- according to price table on pages 82/83.*

* Also available: dimmer on cord
Please indicate with order.





STE

Floor reading lamp

Designed by: Florian Schulz

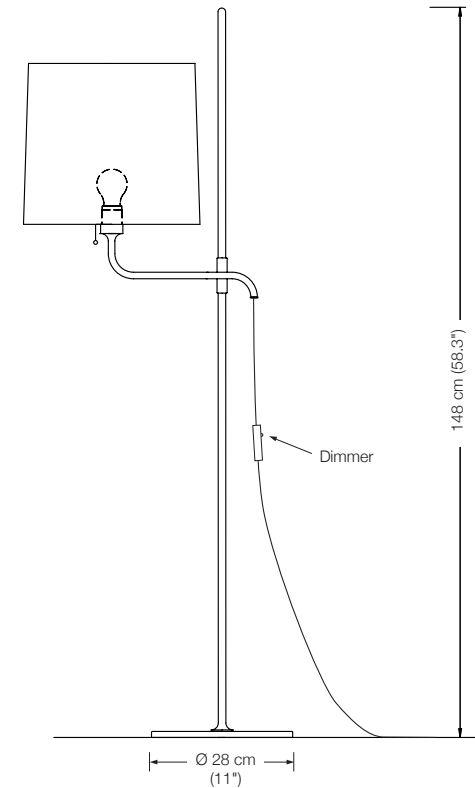
Height: adjustable
 Shade: silk*
 Lampholder: E27, max. 150 W
 Bulb: 1 x E27 LED á 1055 Lumen, 10,5 W incl.
 2700° K, 11 W $\hat{=}$ 75 W, dimmable
 Electric wire: 3 m (9.8 ft) textile cable black (standard)
 Dimmer: on cord

STE – Ms	Solid brass polished, lacquered	1.055 €
STE – Mt	Solid brass matt brushed, lacquered	1.139 €
STE – Ni	Solid brass, nickel-plated	1.055 €
STE – Nm	Solid brass nickel-plated, matt brushed	1.139 €
STE – Cr	Solid brass, chrome-plated	1.139 €
STE – Cu	Solid brass copper-plated, lacquered	1.160 €
STE – Cm	Solid brass copper-plated, matt brushed, lacquered	1.213 €
STE – Br	Solid brass bronzed, lacquered	1.266 €
STE – Bd	Solid brass dark-bronzed, lacquered	1.371 €

*The listed net prices do not include shipping costs
 - according to price table on pages 82/83.*

* Fabric required: 120 x 60 cm (47.2" x 23.6")

Ø 34 cm (13.4")
 h 33 cm (13")
 Ø 35 cm (13.8")





LESAN M

Floor reading lamp

Designed by: Florian Schulz

Height: 90 - 135 cm (35.4" - 53.1") adjustable
 Shade: metal Ø 28 cm (11")
 Lampholder: E27, max. 100 W
 Bulb: 1 x E27 LED á 1055 Lumen, 10,5 W incl.
 2700° K, 10,5 W $\hat{=}$ 75 W, dimmable

Electric wire: 3 m (9.8 ft)
 Dimmer: on cord

LESAN M – Ms	Solid brass polished, lacquered	1.228 €
LESAN M – Mt	Solid brass matt brushed, lacquered	1.352 €
LESAN M – Ni	Solid brass, nickel-plated	1.228 €
LESAN M – Nm	Solid brass nickel-plated, matt brushed	1.352 €
LESAN M – Cr	Solid brass, chrome-plated	1.352 €
LESAN M – Cu	Solid brass copper-plated, lacquered	1.352 €
LESAN M – Cm	Solid brass copper-plated, matt brushed, lacquered	1.412 €
LESAN M – Br	Solid brass bronzed, lacquered	1.474 €
LESAN M – Bd	Solid brass dark-bronzed, lacquered	1.597 €

The listed net prices do not include shipping costs - according to price table on pages 82/83.

LESAN S

Floor reading lamp

Designed by: Florian Schulz

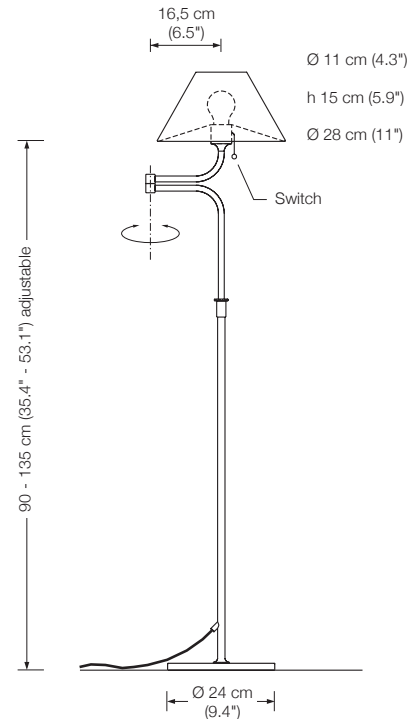
Height: 90 - 135 cm (35.4" - 53.1") adjustable
 Shade: silk* Ø 28 cm (11")
 Lampholder: E27, max. 70 W
 Bulb: 1 x E27 LED á 1055 Lumen, 10,5 W incl.
 2700° K, 10,5 W $\hat{=}$ 75 W, dimmable

Electric wire: 3 m (9.8 ft)
 Dimmer: on cord

LESAN S – Ms	Solid brass polished, lacquered	1.068 €
LESAN S – Mt	Solid brass matt brushed, lacquered	1.142 €
LESAN S – Ni	Solid brass, nickel-plated	1.068 €
LESAN S – Nm	Solid brass nickel-plated, matt brushed	1.142 €
LESAN S – Cr	Solid brass, chrome-plated	1.142 €
LESAN S – Cu	Solid brass copper-plated, lacquered	1.175 €
LESAN S – Cm	Solid brass copper-plated, matt brushed, lacquered	1.228 €
LESAN S – Br	Solid brass bronzed, lacquered	1.282 €
LESAN S – Bd	Solid brass dark-bronzed, lacquered	1.388 €

*The listed net prices do not include shipping costs
 - according to price table on pages 82/83.*

* Fabric required: 50 x 80 cm (19.7" x 31.5")





INAS

Floor reading lamp

Designed by: Florian Schulz

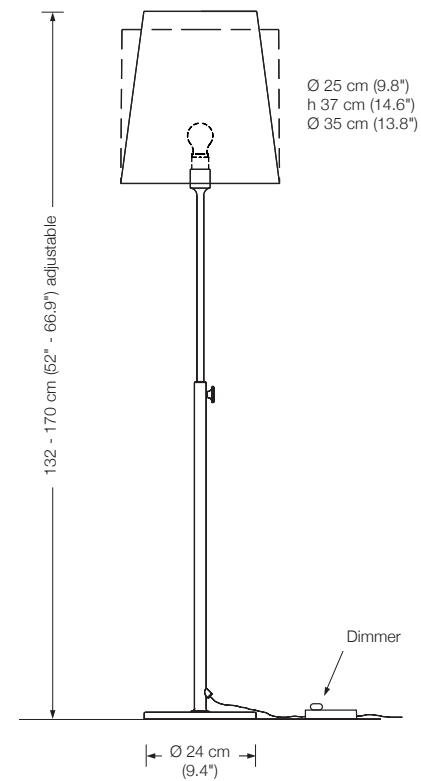
Height: 132 - 170 cm (52" - 66.9") adjustable
 Shade: silk, conical or straight*
 Lampholder: E27, max. 150 W
 Bulb: 1 x E27 LED á 1055 Lumen, 10,5 W incl.
 2700° K, 10,5 W $\hat{=}$ 75 W, dimmable
 Electric wire: 4 m (13.1 ft)
 Dimmer: on cord

INAS – Ms	Solid brass polished, lacquered	1.065 €
INAS – Mt	Solid brass matt brushed, lacquered	1.151 €
INAS – Ni	Solid brass, nickel-plated	1.065 €
INAS – Nm	Solid brass nickel-plated, matt brushed	1.151 €
INAS – Cr	Solid brass, chrome-plated	1.151 €
INAS – Cu	Solid brass copper-plated, lacquered	1.171 €
INAS – Cm	Solid brass copper-plated, matt brushed, lacquered	1.225 €
INAS – Br	Solid brass bronzed, lacquered	1.278 €
INAS – Bd	Solid brass dark-bronzed, lacquered	1.384 €

*The listed net prices do not include shipping costs
 - according to price table on pages 82/83.*

* Please indicate with order.

Fabric required: 120 x 60 cm (47.3" x 23.6")



INAS SD

Floor reading lamp

Designed by: Florian Schulz

Height: 155 - 185 cm (61" - 72.8") adjustable

Shade: silk, conical or straight*

Lampholder: E27, max. 150 W

Bulb: 1 x E27 LED á 1055 Lumen, 10,5 W incl.
2700° K, 10,5 W $\hat{=}$ 75 W, dimmable

Electric wire: 4 m (13.1 ft)

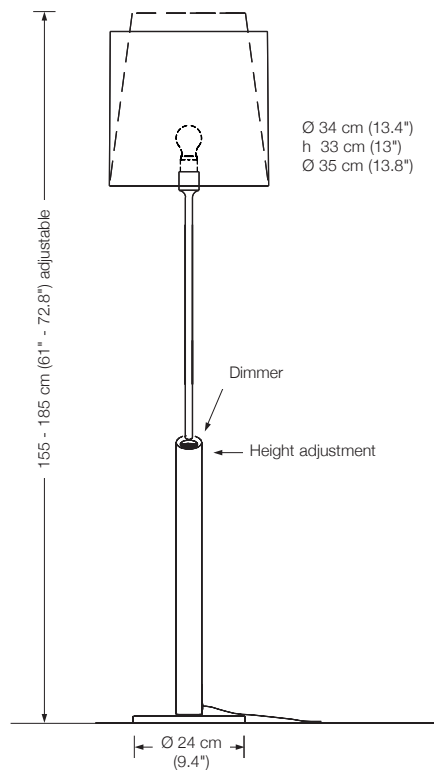
Dimmer: built in

INAS SD – Ms	Solid brass polished, lacquered	1.307 €
INAS SD – Mt	Solid brass matt brushed, lacquered	1.435 €
INAS SD – Ni	Solid brass, nickel-plated	1.307 €
INAS SD – Nm	Solid brass nickel-plated, matt brushed	1.435 €
INAS SD – Cr	Solid brass, chrome-plated	1.435 €
INAS SD – Cu	Solid brass copper-plated, lacquered	1.437 €
INAS SD – Cm	Solid brass copper-plated, matt brushed, lacquered	1.503 €
INAS SD – Br	Solid brass bronzed, lacquered	1.568 €
INAS SD – Bd	Solid brass dark-bronzed, lacquered	1.699 €

*The listed net prices do not include shipping costs
- according to price table on pages 82/83.*

* Please indicate with order.

Fabric required: 120 x 60 cm (47.3" x 23.6")



YON

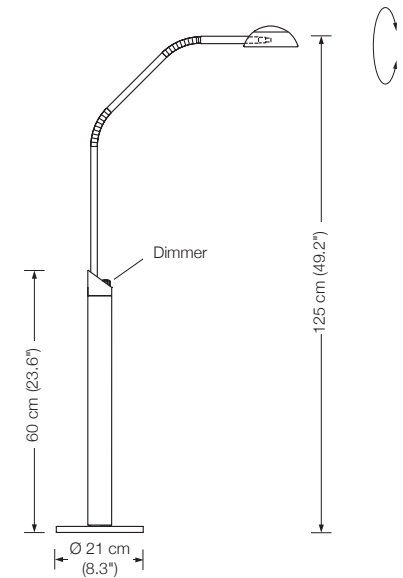
Floor reading lamp

Designed by: Florian Schulz

Height: adjustable
 Shade: metal Ø 12 cm (4.7"), rotatable
 Lampholder: GY6.35, max. 50 W / 12 V
 Bulb: 1 x G6 incl., 35 W $\hat{=}$ 50 W, dimmable
 Electric wire: 4 m (13.1 ft)
 Dimmer: built in

YON – Ms	Solid brass polished, lacquered	1.221 €
YON – Mt	Solid brass matt brushed, lacquered	1.343 €
YON – Ni	Solid brass, nickel-plated	1.221 €
YON – Nm	Solid brass nickel-plated, matt brushed	1.343 €
YON – Cr	Solid brass, chrome-plated	1.343 €
YON – Cu	Solid brass copper-plated, lacquered	1.343 €
YON – Cm	Solid brass copper-plated, matt brushed, lacquered	1.404 €
YON – Br	Solid brass bronzed, lacquered	1.465 €
YON – Bd	Solid brass dark-bronzed, lacquered	1.587 €

*The listed net prices do not include shipping costs
 - according to price table on pages 82/83.*



YON G

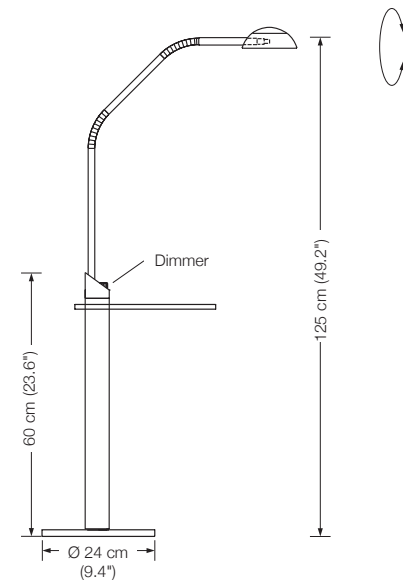
Floor reading lamp with glass tabletop Ø 30 cm (11.8"), clear glass

Designed by: Florian Schulz

Height: adjustable
 Shade: metal Ø 12 cm (4.7"), rotatable
 Lampholder: GY6.35, max. 50 W / 12 V
 Bulb: 1 x G6 incl., 35 W $\hat{=}$ 50 W, dimmable
 Electric wire: 4 m (13.1 ft)
 Dimmer: built in

YON G – Ms	Solid brass polished, lacquered	1.349 €
YON G – Mt	Solid brass matt brushed, lacquered	1.484 €
YON G – Ni	Solid brass, nickel-plated	1.349 €
YON G – Nm	Solid brass nickel-plated, matt brushed	1.484 €
YON G – Cr	Solid brass, chrome-plated	1.484 €
YON G – Cu	Solid brass copper-plated, lacquered	1.484 €
YON G – Cm	Solid brass copper-plated, matt brushed, lacquered	1.552 €
YON G – Br	Solid brass bronzed, lacquered	1.619 €
YON G – Bd	Solid brass dark-bronzed, lacquered	1.754 €

*The listed net prices do not include shipping costs
 - according to price table on pages 82/83.*







CERVANTES

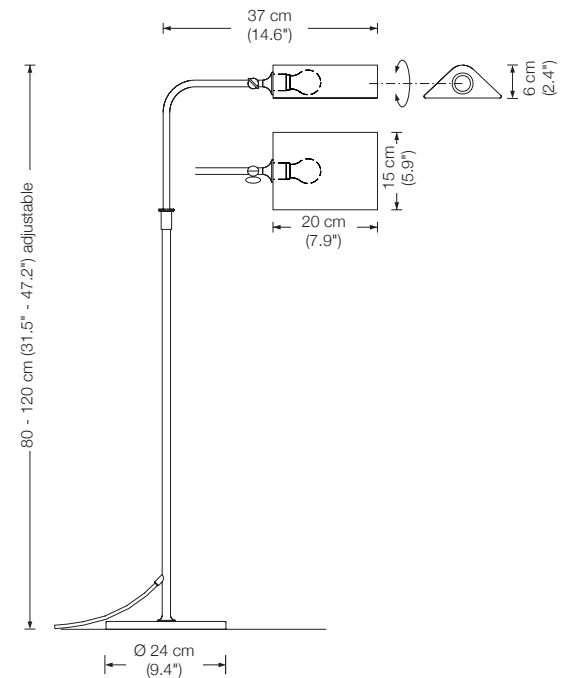
Floor reading lamp

Designed by: Florian Schulz

Height: 80 - 120 cm (31.5" - 47.2") adjustable
 Shade: metal, adjustable
 Lampholder: E27, max. 100 W
 Bulb: 1 x E27 LED á 1055 Lumen, 10,5 W incl.
 2700° K, 10,5 W $\hat{=}$ 75 W, dimmable
 Electric wire: 4 m (13.1 ft)
 Dimmer: on cord

CERVANTES – Ms	Solid brass polished, lacquered	1.012 €
CERVANTES – Mt	Solid brass matt brushed, lacquered	1.114 €
CERVANTES – Ni	Solid brass, nickel-plated	1.012 €
CERVANTES – Nm	Solid brass nickel-plated, matt brushed	1.114 €
CERVANTES – Cr	Solid brass, chrome-plated	1.114 €
CERVANTES – Cu	Solid brass copper-plated, lacquered	1.114 €
CERVANTES – Cm	Solid brass copper-plated, matt brushed, lacquered	1.164 €
CERVANTES – Br	Solid brass bronzed, lacquered	1.214 €
CERVANTES – Bd	Solid brass dark-bronzed, lacquered	1.315 €

*The listed net prices do not include shipping costs
 - according to price table on pages 82/83.*



TOA

Table lamp

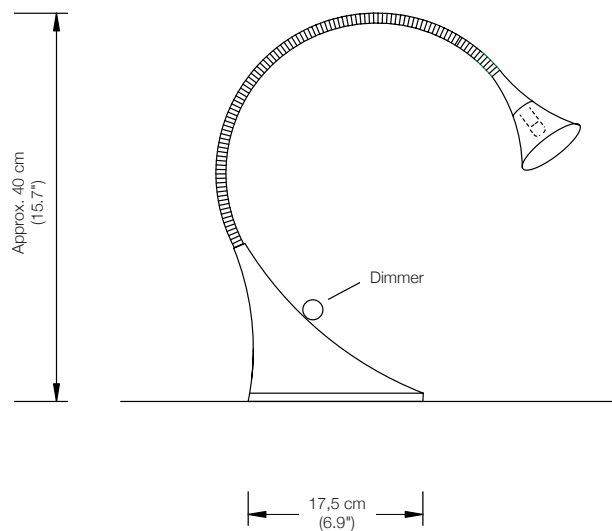
flexible and specially reinforced metal arm

Designed by: Florian Schulz

Height: up to max. 50 cm (19.7")
Shade: TEFLON white, Ø 7 cm (2.8")
Lampholder: GY6.35, max. 50 W / 12 V
Bulb: 1 x G6 incl., dimmable
Electric wire: 2,5 m (8.2 ft)
Dimmer: built in

TOA – Ms	Solid brass polished, lacquered	830 €
TOA – Mt	Solid brass matt brushed, lacquered	914 €
TOA – Ni	Solid brass, nickel-plated	830 €
TOA – Nm	Solid brass nickel-plated, matt brushed	914 €
TOA – Cr	Solid brass, chrome-plated	914 €
TOA – Cu	Solid brass copper-plated, lacquered	914 €
TOA – Cm	Solid brass copper-plated, matt brushed, lacquered	955 €
TOA – Br	Solid brass bronzed, lacquered	996 €
TOA – Bd	Solid brass dark-bronzed, lacquered	1.079 €

*The listed net prices do not include shipping costs
- according to price table on pages 82/83.*





TOPAN

Table lamp

Designed by: Jens Schump

Height: 51 cm (20.1")

Width: 55 cm (21.7")

Shade: Ø 3 cm (1.2"), approx. 23 cm (9.1") long, 180° rotatable

Bulb: LED-Line TW (approx. 12,5 W) incl., exchangeable
approx. 1330 Lumen
dimmable

Push button 1: tuning white infinitely variable from 2700° – 5700° K

Push button 2: on / off / dimming

Color rendering: > 95 Ra

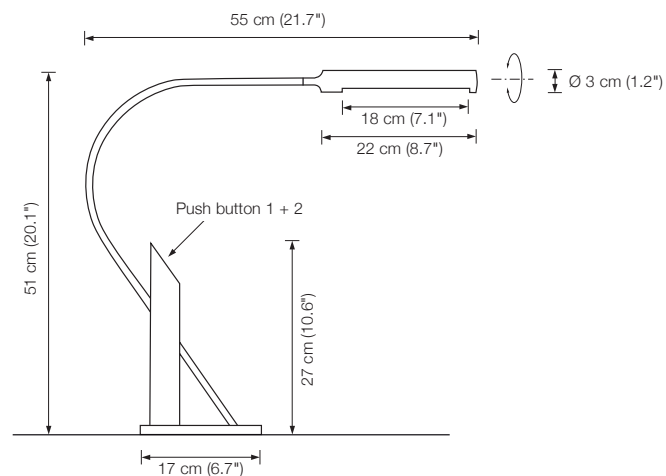
Electric wire: 3 m (9.8 ft) textile cable black (standard)

Dimmer: built in

TOPAN – Ms	Solid brass polished, lacquered	1.260 €
TOPAN – Mt	Solid brass matt brushed, lacquered	1.386 €
TOPAN – Ni	Solid brass, nickel-plated	1.260 €
TOPAN – Nm	Solid brass nickel-plated, matt brushed	1.386 €
TOPAN – Cr	Solid brass, chrome-plated	1.386 €
TOPAN – Cu	Solid brass copper-plated, lacquered	1.386 €
TOPAN – Cm	Solid brass copper-plated, matt brushed, lacquered	1.449 €
TOPAN – Br	Solid brass bronzed, lacquered	1.512 €
TOPAN – Bd	Solid brass dark-bronzed, lacquered	1.638 €

The listed net prices do not include shipping costs

- according to price table on pages 82/83.





Walnut
mocha



Walnut
cognac

TAU

Table lamp

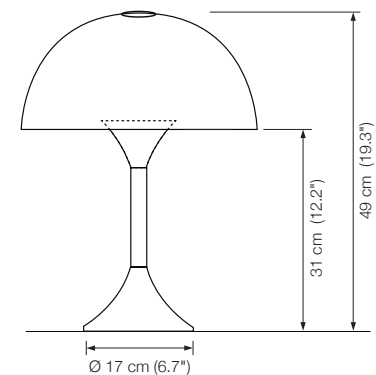
Designed by: Jens Schump

Height: approx. 50 cm
 Shade: glass white-opal, Ø 36 cm (14.2")
 Lampholder: 3 x E27, max. 100 Watt
 Bulb: 3 x E27 LED á 1055 Lumen, 10,5 W incl., dimmable
 Middle part: walnut mocha (standard)*
 Electric wire: 2,5 m (8.2 ft)
 Dimmer: built in

TAU – Ms	Solid brass polished, lacquered	839 €
TAU – Mt	Solid brass matt brushed, lacquered	923 €
TAU – Ni	Solid brass, nickel-plated	839 €
TAU – Nm	Solid brass nickel-plated, matt brushed	923 €
TAU – Cr	Solid brass, chrome-plated	923 €
TAU – Cu	Solid brass copper-plated, lacquered	923 €
TAU – Cm	Solid brass copper-plated, matt brushed, lacquered	965 €
TAU – Br	Solid brass bronzed, lacquered	1.007 €
TAU – Bd	Solid brass dark-bronzed, lacquered	1.091 €

*The listed net prices do not include shipping costs
 - according to price table on pages 82/83.*

* Optional: walnut cognac
 Please indicate with order.







ORA

Table lamp

Designed by: Florian Schulz

Shade: silk*
 Lampholder: E27, max. 100 W
 Bulb: 1 x E27 LED á 1055 Lumen, 10,5 W incl.
 2700° K, 11 W $\hat{=}$ 75 W, dimmable
 Electric wire: 3 m (9.8 ft)
 Dimmer: on cord

ORA 20

Metal ball Ø 20 cm (7.9")
 Height: 59 cm (23.2")

ORA 20 – Ms	Solid brass polished, lacquered	947 €
ORA 20 – Mt	Solid brass matt brushed, lacquered	1.023 €
ORA 20 – Ni	Solid brass, nickel-plated	947 €
ORA 20 – Nm	Solid brass nickel-plated, matt brushed	1.023 €
ORA 20 – Cr	Solid brass, chrome-plated	1.023 €
ORA 20 – Cu	Solid brass copper-plated, lacquered	1.041 €
ORA 20 – Cm	Solid brass copper-plated, matt brushed, lacquered	1.089 €
ORA 20 – Br	Solid brass bronzed, lacquered	1.136 €
ORA 20 – Bd	Solid brass dark-bronzed, lacquered	1.231 €

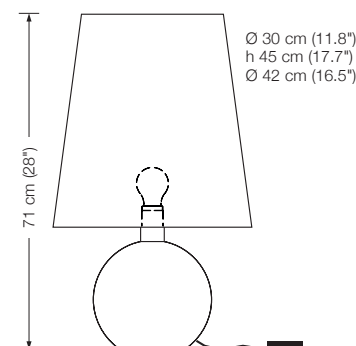
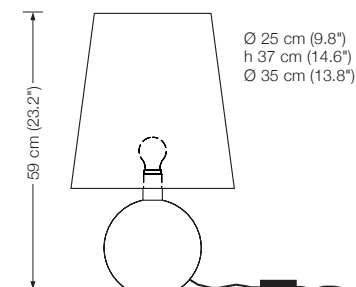
*The listed net prices do not include shipping costs
 - according to price table on pages 82/83.*

ORA 25

Metal ball Ø 25 cm (9.8")
 Height: 71 cm (28")

ORA 25 – Ms	Solid brass polished, lacquered	1.058 €
ORA 25 – Mt	Solid brass matt brushed, lacquered	1.142 €
ORA 25 – Ni	Solid brass, nickel-plated	1.058 €
ORA 25 – Nm	Solid brass nickel-plated, matt brushed	1.142 €
ORA 25 – Cr	Solid brass, chrome-plated	1.142 €
ORA 25 – Cu	Solid brass copper-plated, lacquered	1.164 €
ORA 25 – Cm	Solid brass copper-plated, matt brushed, lacquered	1.216 €
ORA 25 – Br	Solid brass bronzed, lacquered	1.269 €
ORA 25 – Bd	Solid brass dark-bronzed, lacquered	1.375 €

*The listed net prices do not include shipping costs
 - according to price table on pages 82/83.*



* Fabric required ORA 20: 120 x 60 cm (47.2" x 23.6")
 Fabric required ORA 25: 140 x 70 cm (55.1" x 27.6")

YON T

Table lamp

Designed by: Florian Schulz

Shade: metal Ø 12 cm (4.7"), adjustable

Lampholder: GY6.35, max. 50 W / 12 V

Bulb: 1 x G6 incl., 35 W $\hat{=}$ 50 W, dimmable

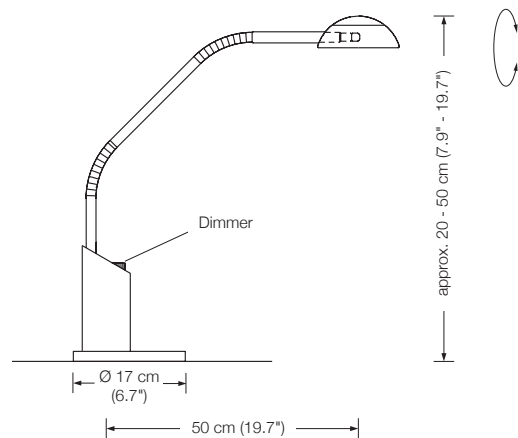
Electric wire: 2,5 m (8.2 ft)

Dimmer: built in

YON T – Ms	Solid brass polished, lacquered	1.257 €
YON T – Mt	Solid brass matt brushed, lacquered	1.382 €
YON T – Ni	Solid brass, nickel-plated	1.257 €
YON T – Nm	Solid brass nickel-plated, matt brushed	1.382 €
YON T – Cr	Solid brass, chrome-plated	1.382 €
YON T – Cu	Solid brass copper-plated, lacquered	1.382 €
YON T – Cm	Solid brass copper-plated, matt brushed, lacquered	1.445 €
YON T – Br	Solid brass bronzed, lacquered	1.508 €
YON T – Bd	Solid brass dark-bronzed, lacquered	1.634 €

The listed net prices do not include shipping costs

- according to price table on pages 82/83.



ESA

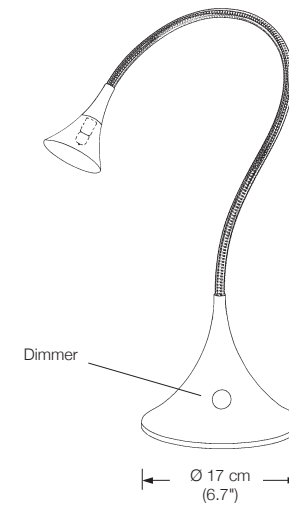
Table lamp
flexible and specially reinforced metal arm

Designed by: Florian Schulz

Height: up to 50 cm (19.7")
Shade: TEFLON white, Ø 7 cm (2.8")
Lampholder: GY6.35, max. 50 W
Bulb: 1 x G6 incl., 35 W $\hat{=}$ 50 W, dimmable
Electric wire: 2,5 m (8.2 ft)
Dimmer: built in

ESA – Ms	Solid brass polished, lacquered	622 €
ESA – Mt	Solid brass matt brushed, lacquered	684 €
ESA – Ni	Solid brass, nickel-plated	622 €
ESA – Nm	Solid brass nickel-plated, matt brushed	684 €
ESA – Cr	Solid brass, chrome-plated	684 €
ESA – Cu	Solid brass copper-plated, lacquered	684 €
ESA – Cm	Solid brass copper-plated, matt brushed, lacquered	716 €
ESA – Br	Solid brass bronzed, lacquered	747 €
ESA – Bd	Solid brass dark-bronzed, lacquered	809 €

*The listed net prices do not include shipping costs
- according to price table on pages 82/83.*



ELAS

Table lamp

Designed by: Florian Schulz

Height: 50 - 70 cm (19.7" - 27.6") adjustable
 Shade: metal Ø 28 cm (11")
 Lampholder: E27, max. 100 W
 Bulb: 1 x E27 LED á 1055 Lumen, 10,5 W incl.
 2700° K, 11 W \triangleq 75 W, dimmable
 Electric wire: 2,5 m (8.2 ft)
 Dimmer: on cord

ELAS – Ms	Solid brass polished, lacquered	952 €
ELAS – Mt	Solid brass matt brushed, lacquered	1.048 €
ELAS – Ni	Solid brass, nickel-plated	952 €
ELAS – Nm	Solid brass nickel-plated, matt brushed	1.048 €
ELAS – Cr	Solid brass, chrome-plated	1.048 €
ELAS – Cu	Solid brass copper-plated, lacquered	1.048 €
ELAS – Cm	Solid brass copper-plated, matt brushed, lacquered	1.094 €
ELAS – Br	Solid brass bronzed, lacquered	1.142 €
ELAS – Bd	Solid brass dark-bronzed, lacquered	1.237 €

*The listed net prices do not include shipping costs
 - according to price table on pages 82/83.*

ELAS S

Table lamp

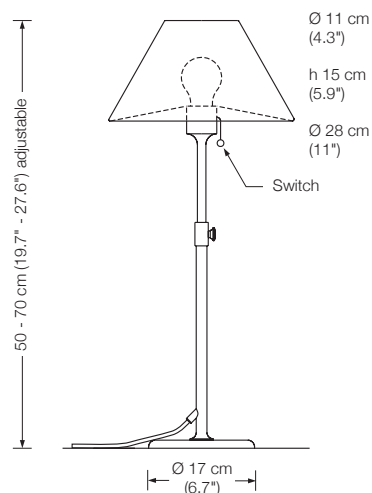
Designed by: Florian Schulz

Height: 50 - 70 cm (19.7" - 27.6") adjustable
 Shade: silk* Ø 28 cm (11")
 Lampholder: E27, max. 100 W
 Bulb: 1 x E27 LED á 1055 Lumen, 10,5 W incl.
 2700° K, 11 W \triangleq 75 W, dimmable
 Electric wire: 2,5 m (8.2 ft)
 Dimmer: on cord

ELAS S – Ms	Solid brass polished, lacquered	731 €
ELAS S – Mt	Solid brass matt brushed, lacquered	783 €
ELAS S – Ni	Solid brass, nickel-plated	731 €
ELAS S – Nm	Solid brass nickel-plated, matt brushed	783 €
ELAS S – Cr	Solid brass, chrome-plated	783 €
ELAS S – Cu	Solid brass copper-plated, lacquered	804 €
ELAS S – Cm	Solid brass copper-plated, matt brushed, lacquered	841 €
ELAS S – Br	Solid brass bronzed, lacquered	878 €
ELAS S – Bd	Solid brass dark-bronzed, lacquered	951 €

*The listed net prices do not include shipping costs
 - according to price table on pages 82/83.*

* Fabric required: 50 x 80 cm (19.7" x 31.5")





TES

Table lamp

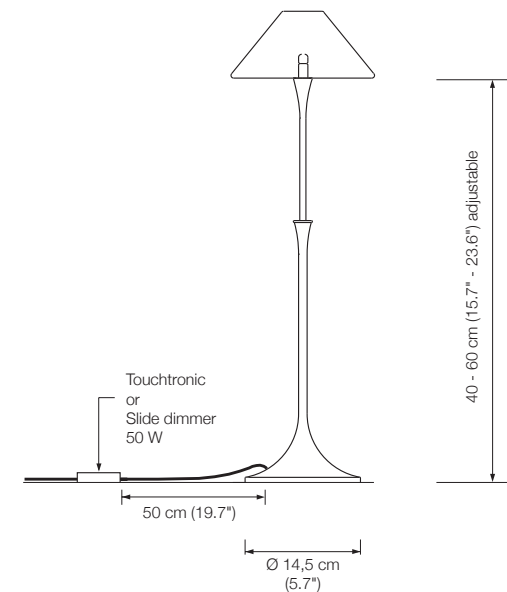
Designed by: Florian Schulz

Height: 40 - 60 cm (15.7" - 23.6") adjustable
 Shade: TEFLON white, Ø 18 cm (7.1")
 Lampholder: GY6.35, max. 50 W / 12 V
 Bulb: 1 x G6 incl., 35 W $\hat{=}$ 50 W, dimmable
 Electric wire: 2,5 m (8.2 ft)
 Dimmer: sensor (touch dimmer)*

TES – Ms	Solid brass polished, lacquered	1.001 €
TES – Mt	Solid brass matt brushed, lacquered	1.100 €
TES – Ni	Solid brass, nickel-plated	1.001 €
TES – Nm	Solid brass nickel-plated, matt brushed	1.100 €
TES – Cr	Solid brass, chrome-plated	1.100 €
TES – Cu	Solid brass copper-plated, lacquered	1.101 €
TES – Cm	Solid brass copper-plated, matt brushed, lacquered	1.151 €
TES – Br	Solid brass bronzed, lacquered	1.201 €
TES – Bd	Solid brass dark-bronzed, lacquered	1.301 €

*The listed net prices do not include shipping costs
 - according to price table on pages 82/83.*

* Also available: dimmer on cord
 Please indicate with order.



PIN T

Discontinued Model

Desk lamp

Designed by: Florian Schulz

Height: 45 cm (17.7")

Width: 70 cm (27.6")

Shade: rotatable

Bulb: 1 x LED 150 (approx. 6 Watt) incl.
exchangeable
approx. 600 Lumen

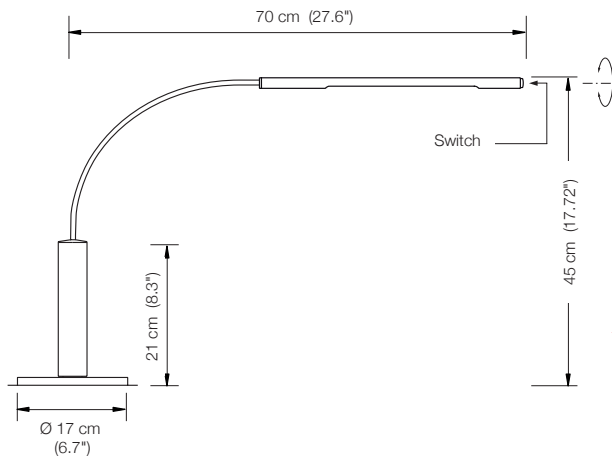
Color temperature: warmwhite 2700 K

Color rendering: > 90 Ra

Electric wire: 3 m (9.8 ft)

PIN T – Ms	Solid brass polished, lacquered	900 €
PIN T – Mt	Solid brass matt brushed, lacquered	985 €
PIN T – Ni	Solid brass, nickel-plated	900 €
PIN T – Nm	Solid brass nickel-plated, matt brushed	985 €
PIN T – Cr	Solid brass, chrome-plated	985 €
PIN T – Cu	Solid brass copper-plated, lacquered	990 €
PIN T – Cm	Solid brass copper-plated, matt brushed, lacquered	1.035 €
PIN T – Br	Solid brass bronzed, lacquered	1.080 €
PIN T – Bd	Solid brass dark-bronzed, lacquered	1.170 €

*The listed net prices do not include shipping costs
- according to price table on pages 82/83.*





TOLED

Desk lamp

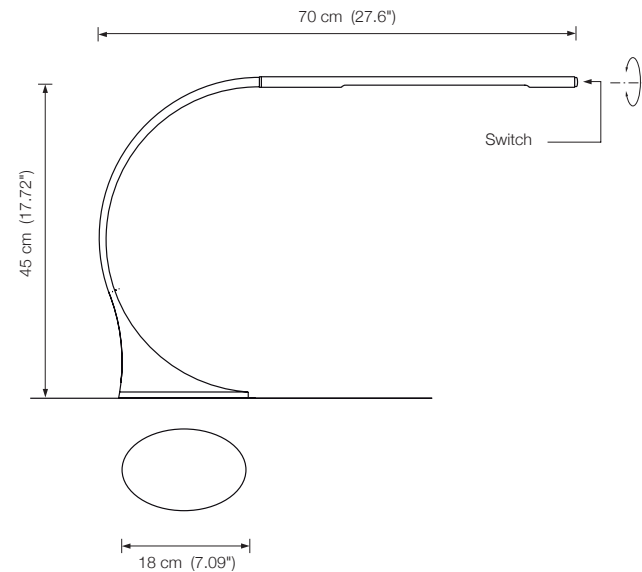
Designed by: Florian Schulz

Height: 45 cm (17.7")
 Width: 70 cm (27.6")
 Shade: rotatable
 Bulb: 1 x LED 150 (approx. 6 Watt) incl.
 exchangeable
 approx. 600 Lumen

Color temperature: warmwhite 2700 K
 Color rendering: > 90 Ra
 Electric wire: 2,5 m (8.2 ft)

TOLED – Ms	Solid brass polished, lacquered	1.367 €
TOLED – Mt	Solid brass matt brushed, lacquered	1.510 €
TOLED – Ni	Solid brass, nickel-plated	1.367 €
TOLED – Nm	Solid brass nickel-plated, matt brushed	1.510 €
TOLED – Cr	Solid brass, chrome-plated	1.510 €
TOLED – Cu	Solid brass copper-plated, lacquered	1.510 €
TOLED – Cm	Solid brass copper-plated, matt brushed, lacquered	1.572 €
TOLED – Br	Solid brass bronzed, lacquered	1.640 €
TOLED – Bd	Solid brass dark-bronzed, lacquered	1.777 €

*The listed net prices do not include shipping costs
 - according to price table on pages 82/83.*



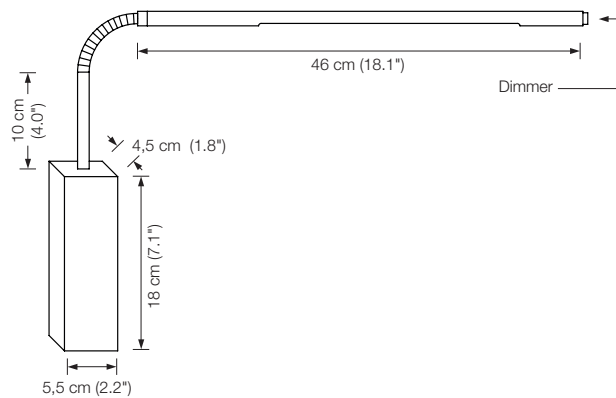
PIN W dim

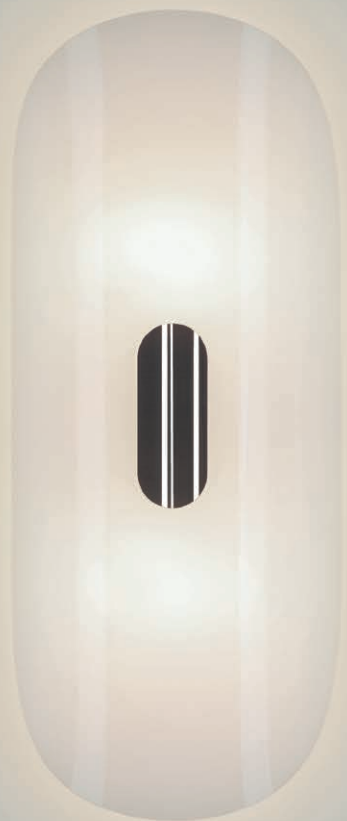
Wall lamp

Designed by: Jens Schump
Height: 35 cm (13.8")
Width: 60 cm (23.6")
Bulb: 1 x LED-Line 150 (approx. 8,4 Watt) incl.
exchangeable
approx. 840 Lumen
Color temperature: warmwhite 2700 K
Color rendering: > 90 Ra
Dimmer: built in

PIN W dim – Ms	Solid brass polished, lacquered	728 €
PIN W dim – Mt	Solid brass matt brushed, lacquered	801 €
PIN W dim – Ni	Solid brass, nickel-plated	728 €
PIN W dim – Nm	Solid brass nickel-plated, matt brushed	801 €
PIN W dim – Cr	Solid brass, chrome-plated	801 €
PIN W dim – Cu	Solid brass copper-plated, lacquered	801 €
PIN W dim – Cm	Solid brass copper-plated, matt brushed, lacquered	838 €
PIN W dim – Br	Solid brass bronzed, lacquered	874 €
PIN W dim – Bd	Solid brass dark-bronzed, lacquered	947 €

*The listed net prices do not include shipping costs
- according to price table on pages 82/83.*





GEA Wall lamp

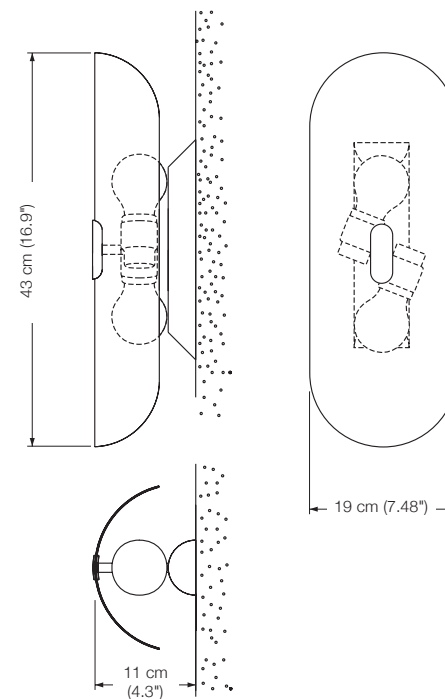
Designed by: Florian Schulz

Height: 43 cm (16.9")
 Shade: glass white-opal
 Lampholder: 2 x E27, max. 2 x 100 W
 Bulb: 2 x E27 LED á 1055 Lumen, 10,5 W incl., dimmable
 Dimmer: on site

GEA – Ms	Solid brass polished, lacquered	630 €
GEA – Mt	Solid brass matt brushed, lacquered	662 €
GEA – Ni	Solid brass, nickel-plated	630 €
GEA – Nm	Solid brass nickel-plated, matt brushed	662 €
GEA – Cr	Solid brass, chrome-plated	662 €
GEA – Cu	Solid brass copper-plated, lacquered	693 €
GEA – Cm	Solid brass copper-plated, matt brushed, lacquered	725 €
GEA – Br	Solid brass bronzed, lacquered	756 €
GEA – Bd	Solid brass dark-bronzed, lacquered	819 €

*The listed net prices do not include shipping costs
 - according to price table on pages 82/83.*

DALI-Modul LUN-DALI 236 €



ALIA

Wall lamp indirect light

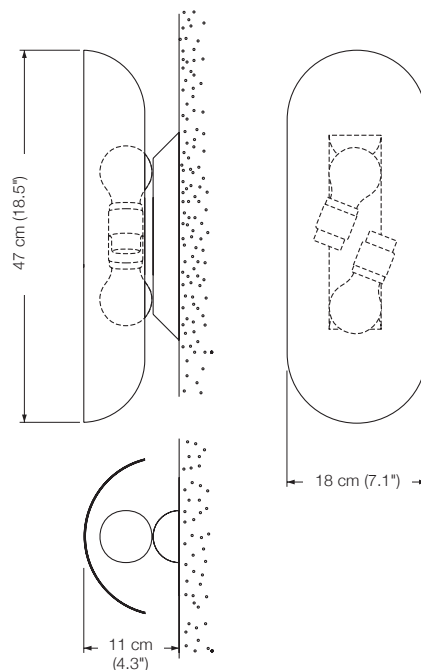
Designed by: Florian Schulz

Height: 47 cm (18.5")
 Shade: metal
 Lampholder: 2 x E27, max. 2 x 100 W
 Bulb: 2 x E27 LED á 1055 Lumen, 10,5 W incl., dimmable
 Dimmer: on site

ALIA – Ms	Solid brass polished, lacquered	761 €
ALIA – Mt	Solid brass matt brushed, lacquered	836 €
ALIA – Ni	Solid brass, nickel-plated	761 €
ALIA – Nm	Solid brass nickel-plated, matt brushed	836 €
ALIA – Cr	Solid brass, chrome-plated	836 €
ALIA – Cu	Solid brass copper-plated, lacquered	837 €
ALIA – Cm	Solid brass copper-plated, matt brushed, lacquered	875 €
ALIA – Br	Solid brass bronzed, lacquered	913 €
ALIA – Bd	Solid brass dark-bronzed, lacquered	989 €

*The listed net prices do not include shipping costs
 - according to price table on pages 82/83.*

DALI-Modul LUN-DALI 236 €



ALEA

Wall lamp indirect light

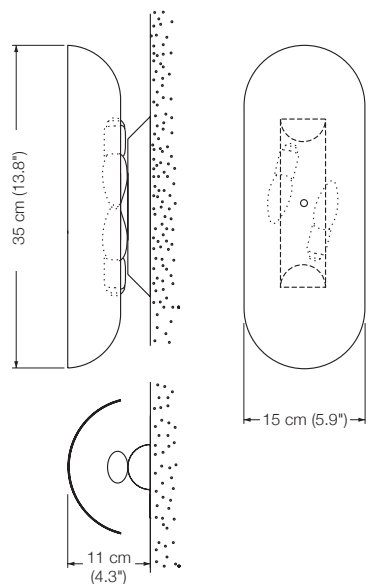
Designed by: Florian Schulz + Jens Schump

Height: 35 cm (13.8")
 Shade: metal
 Lampholder: 2 x E14, max. 60W
 Bulb: 2 x E14 LED á 806 Lumen, 2700° K, 8 W incl., dimmable
 Dimmer: on site

ALEA – Ms	Solid brass polished, lacquered	680 €
ALEA – Mt	Solid brass matt brushed, lacquered	747 €
ALEA – Ni	Solid brass, nickel-plated	680 €
ALEA – Nm	Solid brass nickel-plated, matt brushed	747 €
ALEA – Cr	Solid brass, chrome-plated	747 €
ALEA – Cu	Solid brass copper-plated, lacquered	748 €
ALEA – Cm	Solid brass copper-plated, matt brushed, lacquered	782 €
ALEA – Br	Solid brass bronzed, lacquered	816 €
ALEA – Bd	Solid brass dark-bronzed, lacquered	884 €

*The listed net prices do not include shipping costs
 - according to price table on pages 82/83.*

DALI-Modul LUN-DALI 236 €





BEO

Wall and Stairway lamp
direct and indirect light
glass diffuser top and bottom

Designed by: Florian Schulz

Width: 36 cm (14.2")

Lampholder: 2 x E27, max. 2 x 100 W

Bulb: 2 x E27 LED á 1055 Lumen, 10,5 W incl., dimmable
 2700° K, 11 W $\hat{=}$ 75 W

Dimmer: possible via house installation (standard)*

BEO – Ms	Solid brass polished, lacquered	948 €
BEO – Mt	Solid brass matt brushed, lacquered	1.043 €
BEO – Ni	Solid brass, nickel-plated	948 €
BEO – Nm	Solid brass nickel-plated, matt brushed	1.043 €
BEO – Cr	Solid brass, chrome-plated	1.043 €
BEO – Cu	Solid brass copper-plated, lacquered	1.043 €
BEO – Cm	Solid brass copper-plated, matt brushed, lacquered	1.090 €
BEO – Br	Solid brass bronzed, lacquered	1.137 €
BEO – Bd	Solid brass dark-bronzed, lacquered	1.232 €

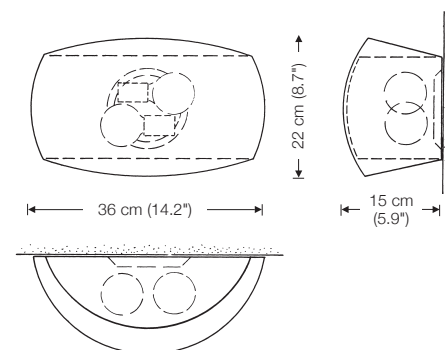
The listed net prices do not include shipping costs
- according to price table on pages 82/83.

* DALI-Modul with Casambi Dimmer 165 €

Alternatively, we recommend (*non-binding*)

the following dimmer brands:

- Jung 1731DD
- Feller 40300.RC
- Arditì 027505
- Kopp 8033

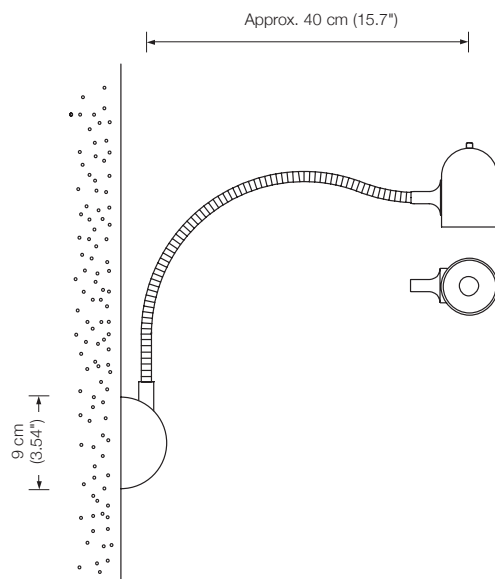


WED Wall lamp

Designed by: Florian Schulz
Width: 40 cm (15.7")
Lampholder: GU5.3
Bulb: 1 x GU5.3 incl.
approx. 660 Lumen
Color temperature: warmwhite 2700 K
Color rendering: > 90 Ra

WED – Ms	Solid brass polished, lacquered	621 €
WED – Mt	Solid brass matt brushed, lacquered	683 €
WED – Ni	Solid brass, nickel-plated	621 €
WED – Nm	Solid brass nickel-plated, matt brushed	683 €
WED – Cr	Solid brass, chrome-plated	683 €
WED – Cu	Solid brass copper-plated, lacquered	683 €
WED – Cm	Solid brass copper-plated, matt brushed, lacquered	714 €
WED – Br	Solid brass bronzed, lacquered	745 €
WED – Bd	Solid brass dark-bronzed, lacquered	808 €

*The listed net prices do not include shipping costs
- according to price table on pages 82/83.*



ERA 33

Wall lamp

Designed by: Florian Schulz

Width: 33 cm (13")
 bottom glass diffuser
 Lampholder: 2 x G9, max. 2 x 75 W / 230 V
 Bulb: 2 x G9, 60 W incl.

ERA 33 – Ms	Solid brass polished, lacquered	621 €
ERA 33 – Mt	Solid brass matt brushed, lacquered	683 €
ERA 33 – Ni	Solid brass, nickel-plated	621 €
ERA 33 – Nm	Solid brass nickel-plated, matt brushed	683 €
ERA 33 – Cr	Solid brass, chrome-plated	683 €
ERA 33 – Cu	Solid brass copper-plated, lacquered	683 €
ERA 33 – Cm	Solid brass copper-plated, matt brushed, lacquered	714 €
ERA 33 – Br	Solid brass bronzed, lacquered	745 €
ERA 33 – Bd	Solid brass dark-bronzed, lacquered	808 €
	Additional top glass diffuser	38 €

Please indicate with order.

The listed net prices do not include shipping costs
 - according to price table on pages 82/83.

ERA 40

Wall lamp

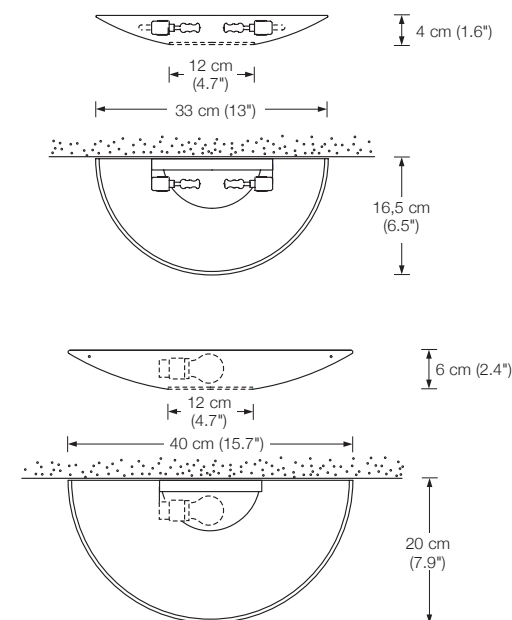
Designed by: Florian Schulz

Width: 40 cm (15.7")
 bottom glass diffuser
 Lampholder: E27, max. 100 W
 Bulb: 1 x E27, 14,5 W incl.

ERA 40 – Ms	Solid brass polished, lacquered	728 €
ERA 40 – Mt	Solid brass matt brushed, lacquered	801 €
ERA 40 – Ni	Solid brass, nickel-plated	728 €
ERA 40 – Nm	Solid brass nickel-plated, matt brushed	801 €
ERA 40 – Cr	Solid brass, chrome-plated	801 €
ERA 40 – Cu	Solid brass copper-plated, lacquered	801 €
ERA 40 – Cm	Solid brass copper-plated, matt brushed, lacquered	838 €
ERA 40 – Br	Solid brass bronzed, lacquered	874 €
ERA 40 – Bd	Solid brass dark-bronzed, lacquered	947 €
	Additional top glass diffuser	44 €

Please indicate with order.

The listed net prices do not include shipping costs
 - according to price table on pages 82/83.



VAO

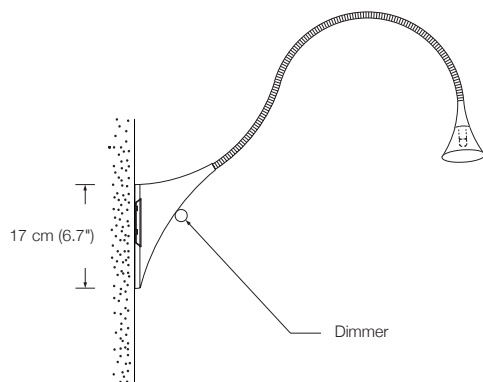
Wall lamp,
flexible and specially reinforced metal arm

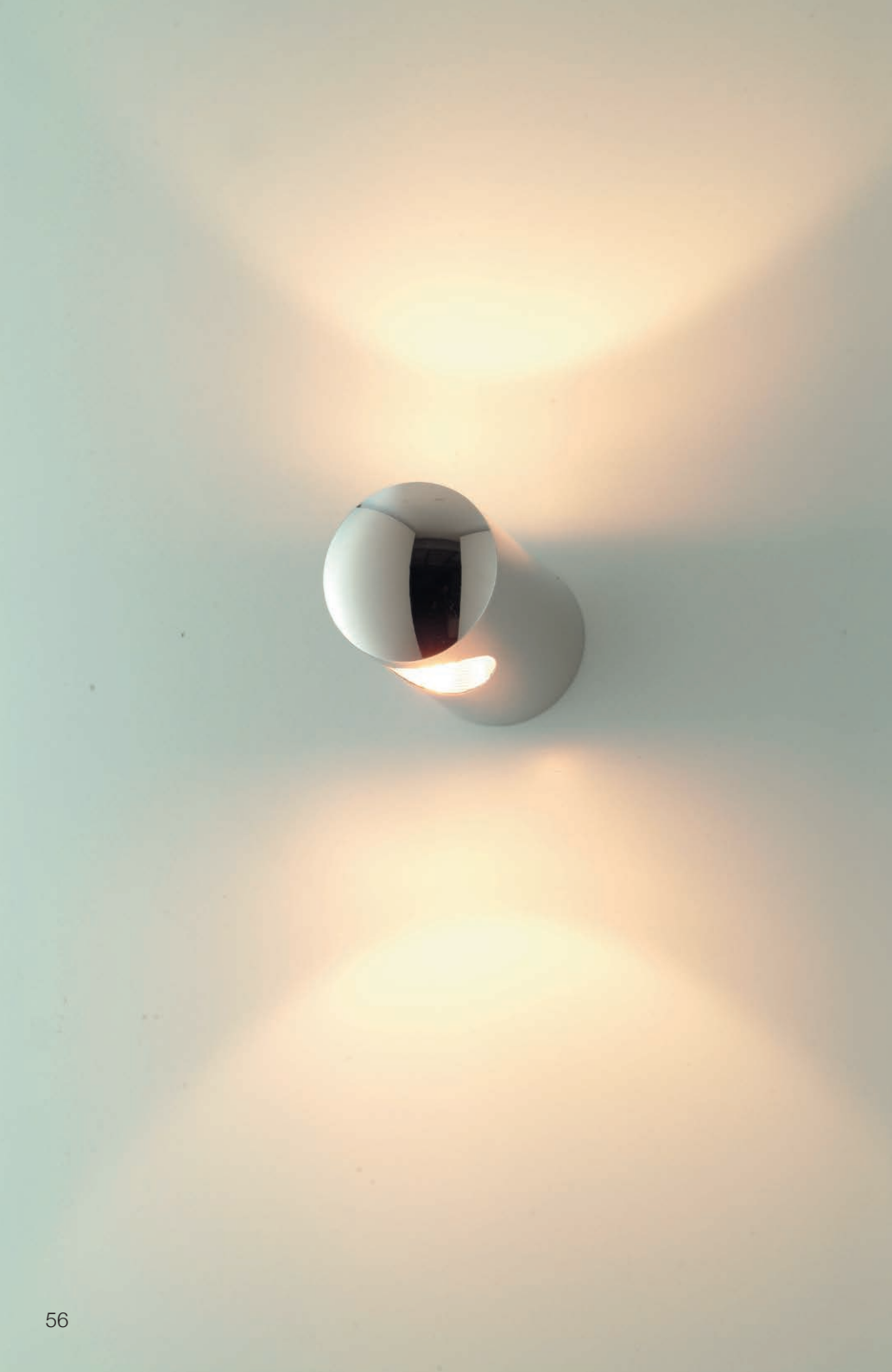
Designed by: Florian Schulz

Height: approx. 44 cm (17.3")
Shade: TEFLON white, Ø 7 cm (2.8")
Lampholder: GY6.35, max. 20 W / 12 V
Bulb: 1 x G6 incl., 35 W $\hat{=}$ 50 W, dimmable
Dimmer: built in

VAO – Ms	Solid brass polished, lacquered	765 €
VAO – Mt	Solid brass matt brushed, lacquered	840 €
VAO – Ni	Solid brass, nickel-plated	765 €
VAO – Nm	Solid brass nickel-plated, matt brushed	840 €
VAO – Cr	Solid brass, chrome-plated	840 €
VAO – Cu	Solid brass copper-plated, lacquered	842 €
VAO – Cm	Solid brass copper-plated, matt brushed, lacquered	880 €
VAO – Br	Solid brass bronzed, lacquered	918 €
VAO – Bd	Solid brass dark-bronzed, lacquered	995 €

*The listed net prices do not include shipping costs
- according to price table on pages 82/83.*





CINA W

Wall lamp

Discontinued Model

Designed by: Florian Schulz

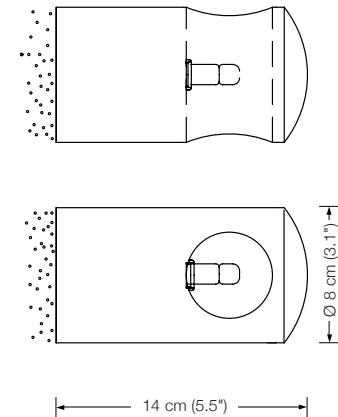
Width: approx. 14 cm (5.5")

Lampholder: G9, max 75 W

Bulb: 1 x G9 incl.

CINA W – Ms	Solid brass polished, lacquered	632 €
CINA W – Mt	Solid brass matt brushed, lacquered	695 €
CINA W – Ni	Solid brass, nickel-plated	632 €
CINA W – Nm	Solid brass nickel-plated, matt brushed	695 €
CINA W – Cr	Solid brass, chrome-plated	695 €
CINA W – Cu	Solid brass copper-plated, lacquered	696 €
CINA W – Cm	Solid brass copper-plated, matt brushed, lacquered	727 €
CINA W – Br	Solid brass bronzed, lacquered	759 €
CINA W – Bd	Solid brass dark-bronzed, lacquered	822 €

*The listed net prices do not include shipping costs
- according to price table on pages 82/83.*



BLOC

Wall lamp

Discontinued Model

Designed by: Florian Schulz

Height: 5 cm (1.97")

Width: 32 cm (12.6")

Depth: 4 cm (1.6")

Bulb: 2 x LED 150 (approx. 12 Watt) incl.
exchangeable
approx. 1200 Lumen

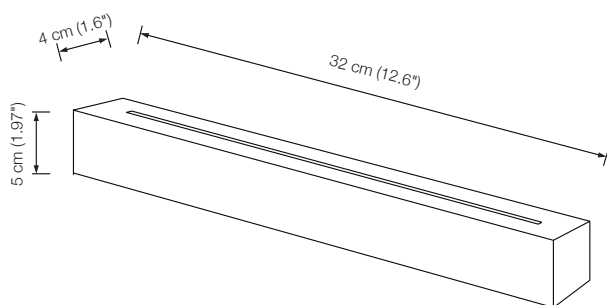
Color temperature: warmwhite 2700 K

Color rendering: > 90 Ra

BLOC – Ms	Solid brass polished, lacquered	514 €
BLOC – Mt	Solid brass matt brushed, lacquered	557 €
BLOC – Ni	Solid brass, nickel-plated	514 €
BLOC – Nm	Solid brass nickel-plated, matt brushed	557 €
BLOC – Cr	Solid brass, chrome-plated	557 €
BLOC – Cu	Solid brass copper-plated, lacquered	565 €
BLOC – Cm	Solid brass copper-plated, matt brushed, lacquered	591 €
BLOC – Br	Solid brass bronzed, lacquered	617 €
BLOC – Bd	Solid brass dark-bronzed, lacquered	668 €

The listed net prices do not include shipping costs

- according to price table on pages 82/83.





EREA 55

Ceiling lamp

Designed by: Florian Schulz

Height: standard 60 cm (23.6")
or on request
(min. 40 cm (15.7") to max. 200 cm (78.7"))

Shade: glass white-opal Ø 55 cm (21.7")

Lampholder: 6 x E14, max. 6 x 60 W

Dimmer: possible via house installation (standard)*

EREA 55 – Ms	Solid brass polished, lacquered	2.047 €
EREA 55 – Mt	Solid brass matt brushed, lacquered	2.190 €
EREA 55 – Ni	Solid brass, nickel-plated	2.047 €
EREA 55 – Nm	Solid brass nickel-plated, matt brushed	2.190 €
EREA 55 – Cr	Solid brass, chrome-plated	2.190 €
EREA 55 – Cu	Solid brass copper-plated, lacquered	2.252 €
EREA 55 – Cm	Solid brass copper-plated, matt brushed, lacquered	2.354 €
EREA 55 – Br	Solid brass bronzed, lacquered	2.457 €
EREA 55 – Bd	Solid brass dark-bronzed, lacquered	2.661 €

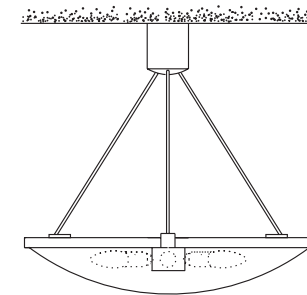
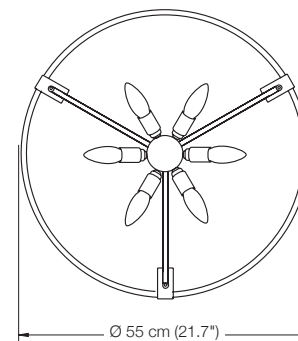
*The listed net prices do not include shipping costs
- according to price table on pages 82/83.*

* DALI-Modul with Casambi Dimmer

165 €

Alternatively, we recommend (*non-binding*)
the following dimmer brands:

- Jung 1731DD
- Feller 40300.RC
- Arditì 027505
- Kopp 8033



Height on request
standard 60 cm (23.6")
(min. 40 cm (15.7"))

EREA 80

Ceiling lamp

Designed by: Florian Schulz

Height: standard 100 cm (39.4")
or on request
(min. 60 cm (23.6") to max. 200 cm (78.7"))

Shade: glass white-opal Ø 80 cm (31.5")

Lampholder: 6 x E27, max. 6 x 205 W

Dimmer: possible via house installation (standard)*

EREA 80 – Ms	Solid brass polished, lacquered	2.115 €
EREA 80 – Mt	Solid brass matt brushed, lacquered	2.263 €
EREA 80 – Ni	Solid brass, nickel-plated	2.115 €
EREA 80 – Nm	Solid brass nickel-plated, matt brushed	2.263 €
EREA 80 – Cr	Solid brass, chrome-plated	2.263 €
EREA 80 – Cu	Solid brass copper-plated, lacquered	2.327 €
EREA 80 – Cm	Solid brass copper-plated, matt brushed, lacquered	2.433 €
EREA 80 – Br	Solid brass bronzed, lacquered	2.539 €
EREA 80 – Bd	Solid brass dark-bronzed, lacquered	2.750 €

The listed net prices do not include shipping costs

- according to price table on pages 82/83.

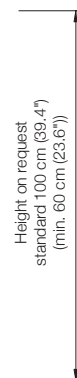
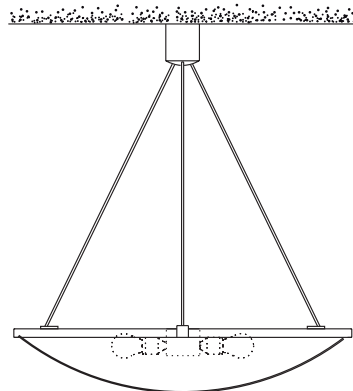
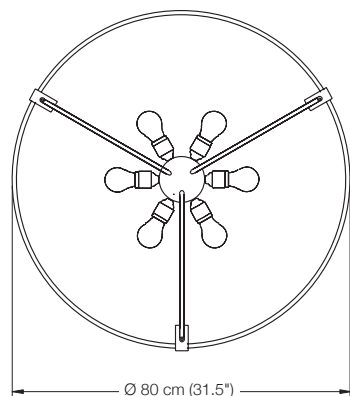
* DALI-Modul with Casambi Dimmer

165 €

Alternatively, we recommend (*non-binding*)

the following dimmer brands:

- Jung 1731DD
- Feller 40300.RC
- Arditì 027505
- Kopp 8033





SOLA 80

Ceiling lamp
direct and indirect light
bottom glass diffuser

Designed by: Florian Schulz

Height: 36 - 65 cm (14.2" - 25.6") adjustable
special length on request
Shade: metal Ø 80 cm (31.5")
Lampholder: R7s, max. 500 W
Bulb: 1 x R7s incl.
Dimmer: possible via house installation (standard)*

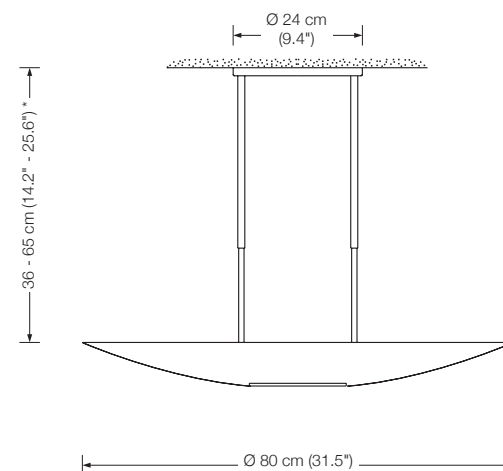
SOLA 80 – Ms	Solid brass polished, lacquered	2.976 €
SOLA 80 – Mt	Solid brass matt brushed, lacquered	3.274 €
SOLA 80 – Ni	Solid brass, nickel-plated	2.976 €
SOLA 80 – Nm	Solid brass nickel-plated, matt brushed	3.274 €
SOLA 80 – Cr	Solid brass, chrome-plated	3.274 €
SOLA 80 – Cu	Solid brass copper-plated, lacquered	3.274 €
SOLA 80 – Cm	Solid brass copper-plated, matt brushed, lacquered	3.423 €
SOLA 80 – Br	Solid brass bronzed, lacquered	3.572 €
SOLA 80 – Bd	Solid brass dark-bronzed, lacquered	3.869 €

*The listed net prices do not include shipping costs
- according to price table on pages 82/83.*

* DALI-Modul with Casambi Dimmer 165 €

Alternatively, we recommend (*non-binding*)
the following dimmer brands:

- Jung 1731DD
- Feller 40300.RC
- Arditi 027505
- Kopp 8033



SELA 55

Ceiling lamp, indirect lighting

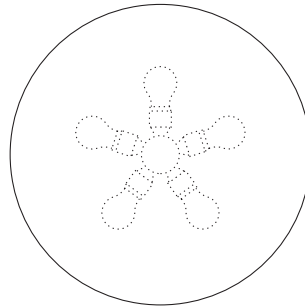
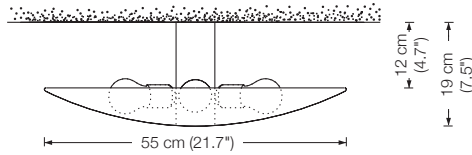
Designed by: Florian Schulz

Shade: metal Ø 55 cm (21.7")
 Lampholder: 5 x E27, max. 5 x 100 W
 Dimmer: possible via house installation (standard)*

SELA 55 – Ms	Solid brass polished, lacquered	900 €
SELA 55 – Mt	Solid brass matt brushed, lacquered	989 €
SELA 55 – Ni	Solid brass, nickel-plated	900 €
SELA 55 – Nm	Solid brass nickel-plated, matt brushed	989 €
SELA 55 – Cr	Solid brass, chrome-plated	989 €
SELA 55 – Cu	Solid brass copper-plated, lacquered	990 €
SELA 55 – Cm	Solid brass copper-plated, matt brushed, lacquered	1.035 €
SELA 55 – Br	Solid brass bronzed, lacquered	1.080 €
SELA 55 – Bd	Solid brass dark-bronzed, lacquered	1.170 €
By request: 5 x E27 LED-bulb (75 W)		61 €

Please indicate with order.

The listed net prices do not include shipping costs
 - according to price table on pages 82/83.



SELA 40

Ceiling lamp, indirect lighting

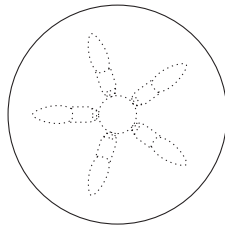
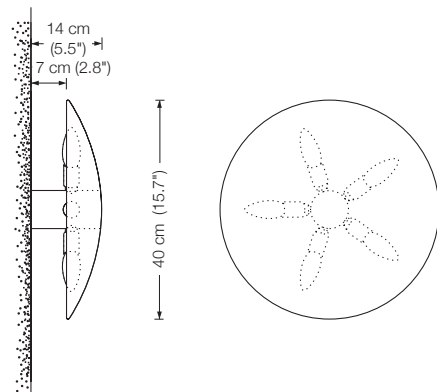
Designed by: Florian Schulz

Shade: metal Ø 40 cm (15.7")
 Lampholder: 5 x E14, max. 5 x 60 W
 Dimmer: possible via house installation (standard)*

SELA 40 – Ms	Solid brass polished, lacquered	804 €
SELA 40 – Mt	Solid brass matt brushed, lacquered	883 €
SELA 40 – Ni	Solid brass, nickel-plated	804 €
SELA 40 – Nm	Solid brass nickel-plated, matt brushed	883 €
SELA 40 – Cr	Solid brass, chrome-plated	883 €
SELA 40 – Cu	Solid brass copper-plated, lacquered	884 €
SELA 40 – Cm	Solid brass copper-plated, matt brushed, lacquered	924 €
SELA 40 – Br	Solid brass bronzed, lacquered	965 €
SELA 40 – Bd	Solid brass dark-bronzed, lacquered	1.045 €
By request: 5 x E14 LED-bulb (60 W)		100 €

Please indicate with order.

The listed net prices do not include shipping costs
 - according to price table on pages 82/83.



Special length (distance to wall / ceiling) on request.

* DALI-Modul with Casambi Dimmer 165 €

Alternatively, we recommend (non-binding)

the following dimmer brands:

- Jung 1731DD
- Feller 40300.RC
- Arditì 027505
- Kopp 8033



GELA 40

Wall-/ Ceiling lamp

Designed by: Florian Schulz

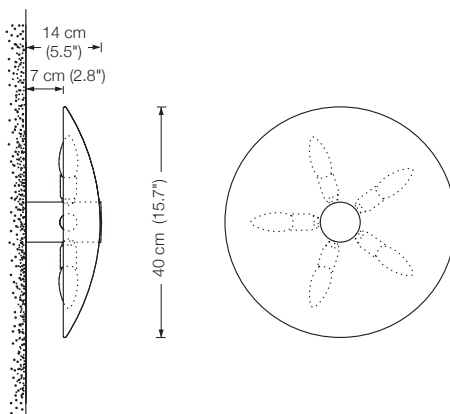
Shade: glass white-opal Ø 40 cm (15.7")
 Lampholder: 5 x E14, max. 5 x 60 W
 Dimmer: possible via house installation (standard)*

GELA 40 – Ms	Solid brass polished, lacquered	660 €
GELA 40 – Mt	Solid brass matt brushed, lacquered	693 €
GELA 40 – Ni	Solid brass, nickel-plated	660 €
GELA 40 – Nm	Solid brass nickel-plated, matt brushed	693 €
GELA 40 – Cr	Solid brass, chrome-plated	693 €
GELA 40 – Cu	Solid brass copper-plated, lacquered	726 €
GELA 40 – Cm	Solid brass copper-plated, matt brushed, lacquered	759 €
GELA 40 – Br	Solid brass bronzed, lacquered	792 €
GELA 40 – Bd	Solid brass dark-bronzed, lacquered	858 €
By request: 5 x E14 LED-bulb (60 W)		56 €

Please indicate with order.

The listed net prices do not include shipping costs
 - according to price table on pages 82/83.

Special length (distance to wall / ceiling) on request.



GELA 55

Ceiling lamp

Designed by: Florian Schulz

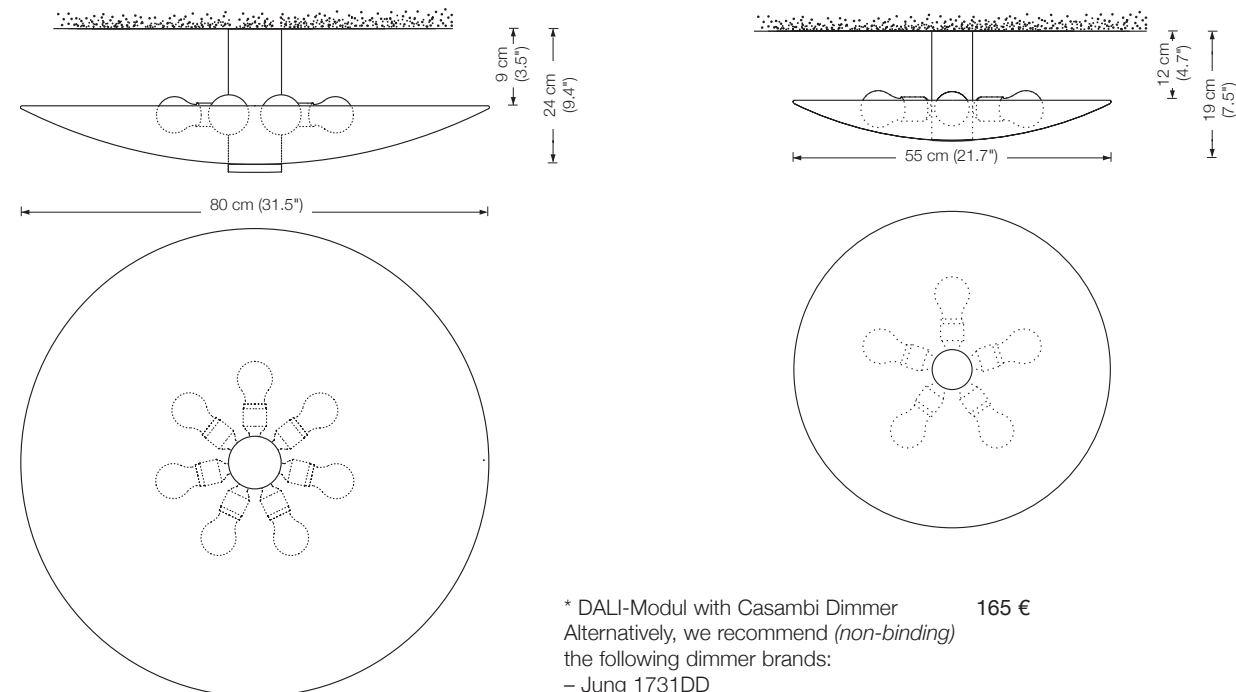
Shade: glass white-opal Ø 55 cm (21.7")
 Lampholder: 5 x E27, max. 5 x 100 W
 Dimmer: possible via house installation (standard)*

GELA 55 – Ms	Solid brass polished, lacquered	684 €
GELA 55 – Mt	Solid brass matt brushed, lacquered	719 €
GELA 55 – Ni	Solid brass, nickel-plated	684 €
GELA 55 – Nm	Solid brass nickel-plated, matt brushed	719 €
GELA 55 – Cr	Solid brass, chrome-plated	719 €
GELA 55 – Cu	Solid brass copper-plated, lacquered	753 €
GELA 55 – Cm	Solid brass copper-plated, matt brushed, lacquered	787 €
GELA 55 – Br	Solid brass bronzed, lacquered	821 €
GELA 55 – Bd	Solid brass dark-bronzed, lacquered	890 €
By request: 5 x E27 LED-bulb (75 W)		61 €

Please indicate with order.

The listed net prices do not include shipping costs
 - according to price table on pages 82/83.

Special length (distance to wall / ceiling) on request.



GELA 80

Ceiling lamp

Designed by: Florian Schulz

Shade: glass white-opal Ø 80 cm (31.5")
 Lampholder: 7 x E27, max. 7 x 100 W
 Dimmer: possible via house installation (standard)*

GELA 80 – Ms	Solid brass polished, lacquered	1.413 €
GELA 80 – Mt	Solid brass matt brushed, lacquered	1.483 €
GELA 80 – Ni	Solid brass, nickel-plated	1.413 €
GELA 80 – Nm	Solid brass nickel-plated, matt brushed	1.483 €
GELA 80 – Cr	Solid brass, chrome-plated	1.483 €
GELA 80 – Cu	Solid brass copper-plated, lacquered	1.554 €
GELA 80 – Cm	Solid brass copper-plated, matt brushed, lacquered	1.625 €
GELA 80 – Br	Solid brass bronzed, lacquered	1.695 €
GELA 80 – Bd	Solid brass dark-bronzed, lacquered	1.837 €
By request: 7 x E27 LED-bulb (75 W)		86 €

Please indicate with order.

The listed net prices do not include shipping costs
 - according to price table on pages 82/83.

Special length (distance to wall / ceiling) on request.

* DALI-Modul with Casambi Dimmer **165 €**

Alternatively, we recommend (*non-binding*)

the following dimmer brands:

- Jung 1731DD
- Feller 40300.RC
- Arditi 027505
- Kopp 8033



OLA 25

Ceiling lamp

Designed by: Florian Schulz

Height: 14 cm (5.5")

Shade: glass white-opal, Ø 25 cm (9.8")

Lampholder: 2 x E27, max. 2 x 100 W

Bulb: 2 x E27 LED á 1055 Lumen, 10,5 W incl., dimmable
2700° K, 10,5 W \triangleq 75 W

Dimmer: possible via house installation*

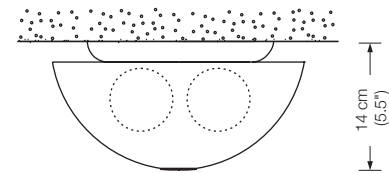
OLA 25 – Ms	Solid brass polished, lacquered	444 €
OLA 25 – Mt	Solid brass matt brushed, lacquered	466 €
OLA 25 – Ni	Solid brass, nickel-plated	444 €
OLA 25 – Nm	Solid brass nickel-plated, matt brushed	466 €
OLA 25 – Cr	Solid brass, chrome-plated	466 €
OLA 25 – Cu	Solid brass copper-plated, lacquered	488 €
OLA 25 – Cm	Solid brass copper-plated, matt brushed, lacquered	510 €
OLA 25 – Br	Solid brass bronzed, lacquered	532 €
OLA 25 – Bd	Solid brass dark-bronzed, lacquered	577 €

The listed net prices do not include shipping costs

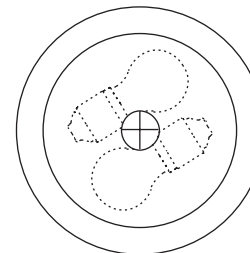
- according to price table on pages 82/83.

*DALI-Modul LUN-DALI

236 €



Ø 25 cm (9.8")



OLA 36

Ceiling lamp

Designed by: Florian Schulz

Height: 20 cm (7.9")
Shade: glass white-opal, Ø 36 cm (14.2")
Lampholder: 3 x E27, max. 3 x 100 W
Bulb: 3 x E27 LED á 1055 Lumen, 10,5 W incl., dimmable
2700° K, 10,5 W \triangleq 75 W
Dimmer: possible via house installation*

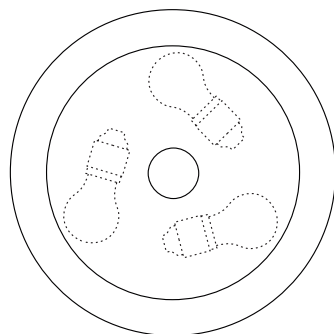
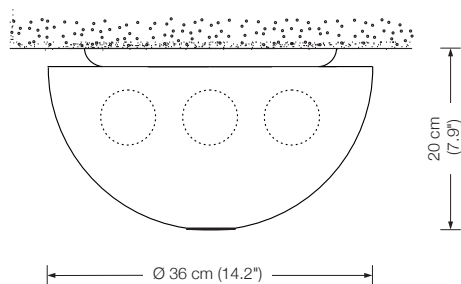
OLA 36 – Ms	Solid brass polished, lacquered	518 €
OLA 36 – Mt	Solid brass matt brushed, lacquered	544 €
OLA 36 – Ni	Solid brass, nickel-plated	518 €
OLA 36 – Nm	Solid brass nickel-plated, matt brushed	544 €
OLA 36 – Cr	Solid brass, chrome-plated	544 €
OLA 36 – Cu	Solid brass copper-plated, lacquered	570 €
OLA 36 – Cm	Solid brass copper-plated, matt brushed, lacquered	596 €
OLA 36 – Br	Solid brass bronzed, lacquered	622 €
OLA 36 – Bd	Solid brass dark-bronzed, lacquered	674 €

*The listed net prices do not include shipping costs
- according to price table on pages 82/83.*

* DALI-Modul with Casambi Dimmer 165 €

Alternatively, we recommend (*non-binding*)
the following dimmer brands:

- Jung 1731DD
- Feller 40300.RC
- Arditì 027505
- Kopp 8033





DUOS 36 P – Pendant

Pendant lamp

Canopy: Ø 12 cm (4.7")
 Shade: metal Ø 36 cm (14.2")
 Lampholder: E27, max. 100 W

DUOS 36 P – Ms	Solid brass polished, lacquered	857 €
DUOS 36 P – Mt	Solid brass matt brushed, lacquered	942 €
DUOS 36 P – Ni	Solid brass, nickel-plated	857 €
DUOS 36 P – Nm	Solid brass nickel-plated, matt brushed	942 €
DUOS 36 P – Cr	Solid brass, chrome-plated	942 €
DUOS 36 P – Cu	Solid brass copper-plated, lacquered	942 €
DUOS 36 P – Cm	Solid brass copper-plated, matt brushed, lacquered	985 €
DUOS 36 P – Br	Solid brass bronzed, lacquered	1.028 €
DUOS 36 P – Bd	Solid brass dark-bronzed, lacquered	1.114 €



DUOS 36 M – Center pull

Adjustable pendant lamp

Canopy: Ø 9 cm (3.5")
 Shade: metal Ø 36 cm (14.2")
 Lampholder: E27, max. 100 W

DUOS 36 M – Ms	Solid brass polished, lacquered	1.155 €
DUOS 36 M – Mt	Solid brass matt brushed, lacquered	1.270 €
DUOS 36 M – Ni	Solid brass, nickel-plated	1.155 €
DUOS 36 M – Nm	Solid brass nickel-plated, matt brushed	1.270 €
DUOS 36 M – Cr	Solid brass, chrome-plated	1.270 €
DUOS 36 M – Cu	Solid brass copper-plated, lacquered	1.270 €
DUOS 36 M – Cm	Solid brass copper-plated, matt brushed, lacquered	1.328 €
DUOS 36 M – Br	Solid brass bronzed, lacquered	1.386 €
DUOS 36 M – Bd	Solid brass dark-bronzed, lacquered	1.501 €



DUOS 36 S – Side pull

Adjustable pendant lamp

Canopy: Ø 7 cm (2.8")
 Shade: metal Ø 36 cm (14.2")
 Lampholder: E27, max. 100 W

DUOS 36 S – Ms	Solid brass polished, lacquered	1.071 €
DUOS 36 S – Mt	Solid brass matt brushed, lacquered	1.178 €
DUOS 36 S – Ni	Solid brass, nickel-plated	1.071 €
DUOS 36 S – Nm	Solid brass nickel-plated, matt brushed	1.178 €
DUOS 36 S – Cr	Solid brass, chrome-plated	1.178 €
DUOS 36 S – Cu	Solid brass copper-plated, lacquered	1.178 €
DUOS 36 S – Cm	Solid brass copper-plated, matt brushed, lacquered	1.232 €
DUOS 36 S – Br	Solid brass bronzed, lacquered	1.285 €
DUOS 36 S – Bd	Solid brass dark-bronzed, lacquered	1.392 €



DUOS 36 R – Straight pull ceiling mounted

Adjustable pendant lamp

Shade: metal Ø 36 cm (14.2")
Lampholder: E27, max. 100 W

DUOS 36 R – Ms	Solid brass polished, lacquered	1.283 €
DUOS 36 R – Mt	Solid brass matt brushed, lacquered	1.412 €
DUOS 36 R – Ni	Solid brass, nickel-plated	1.283 €
DUOS 36 R – Nm	Solid brass nickel-plated, matt brushed	1.412 €
DUOS 36 R – Cr	Solid brass, chrome-plated	1.412 €
DUOS 36 R – Cu	Solid brass copper-plated, lacquered	1.411 €
DUOS 36 R – Cm	Solid brass copper-plated, matt brushed, lacquered	1.476 €
DUOS 36 R – Br	Solid brass bronzed, lacquered	1.540 €
DUOS 36 R – Bd	Solid brass dark-bronzed, lacquered	1.668 €

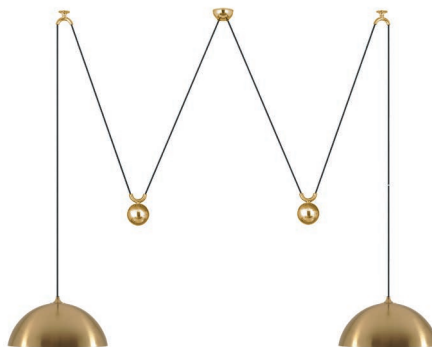


DUOS 36 D – Double pull

Adjustable pendant lamp

Canopy: Ø 7 cm (2.8")
Shade: metal Ø 36 cm (14.2")
Lampholder: 2 x E27, max. 2 x 100 W

DUOS 36 D – Ms	Solid brass polished, lacquered	2.142 €
DUOS 36 D – Mt	Solid brass matt brushed, lacquered	2.356 €
DUOS 36 D – Ni	Solid brass, nickel-plated	2.142 €
DUOS 36 D – Nm	Solid brass nickel-plated, matt brushed	2.356 €
DUOS 36 D – Cr	Solid brass, chrome-plated	2.356 €
DUOS 36 D – Cu	Solid brass copper-plated, lacquered	2.356 €
DUOS 36 D – Cm	Solid brass copper-plated, matt brushed, lacquered	2.463 €
DUOS 36 D – Br	Solid brass bronzed, lacquered	2.570 €
DUOS 36 D – Bd	Solid brass dark-bronzed, lacquered	2.785 €



*The listed net prices do not include shipping costs
- according to price table on pages 82/83.*

Designed by: Florian Schulz + Jens Schump

Textile cable black. On request: brown, gold, silver.





POSA 36 P – Pendant

Pendant lamp

Canopy: Ø 12 cm (4.7")
 Shade: glass white-opal, Ø 36 cm (14.2")
 Lampholder: E27, max. 100 W

POSA 36 P – Ms	Solid brass polished, lacquered	536 €
POSA 36 P – Mt	Solid brass matt brushed, lacquered	562 €
POSA 36 P – Ni	Solid brass, nickel-plated	536 €
POSA 36 P – Nm	Solid brass nickel-plated, matt brushed	562 €
POSA 36 P – Cr	Solid brass, chrome-plated	562 €
POSA 36 P – Cu	Solid brass copper-plated, lacquered	589 €
POSA 36 P – Cm	Solid brass copper-plated, matt brushed, lacquered	616 €
POSA 36 P – Br	Solid brass bronzed, lacquered	643 €
POSA 36 P – Bd	Solid brass dark-bronzed, lacquered	696 €



POSA 36 M – Center pull

Adjustable pendant lamp

Canopy: Ø 9 cm (3.5")
 Shade: glass white-opal, Ø 36 cm (14.2")
 Lampholder: E27, max. 100 W

POSA 36 M – Ms	Solid brass polished, lacquered	826 €
POSA 36 M – Mt	Solid brass matt brushed, lacquered	868 €
POSA 36 M – Ni	Solid brass, nickel-plated	826 €
POSA 36 M – Nm	Solid brass nickel-plated, matt brushed	868 €
POSA 36 M – Cr	Solid brass, chrome-plated	868 €
POSA 36 M – Cu	Solid brass copper-plated, lacquered	909 €
POSA 36 M – Cm	Solid brass copper-plated, matt brushed, lacquered	950 €
POSA 36 M – Br	Solid brass bronzed, lacquered	991 €
POSA 36 M – Bd	Solid brass dark-bronzed, lacquered	1.074 €



POSA 36 S – Side pull

Adjustable pendant lamp

Canopy: Ø 7 cm (2.8")
 Shade: glass white-opal, Ø 36 cm (14.2")
 Lampholder: E27, max. 100 W

POSA 36 S – Ms	Solid brass polished, lacquered	826 €
POSA 36 S – Mt	Solid brass matt brushed, lacquered	868 €
POSA 36 S – Ni	Solid brass, nickel-plated	826 €
POSA 36 S – Nm	Solid brass nickel-plated, matt brushed	868 €
POSA 36 S – Cr	Solid brass, chrome-plated	868 €
POSA 36 S – Cu	Solid brass copper-plated, lacquered	909 €
POSA 36 S – Cm	Solid brass copper-plated, matt brushed, lacquered	950 €
POSA 36 S – Br	Solid brass bronzed, lacquered	991 €
POSA 36 S – Bd	Solid brass dark-bronzed, lacquered	1.074 €



POSA 36 R – Straight pull ceiling mounted

Adjustable pendant lamp

Shade: glass white-opal, Ø 36 cm (14.2")
Lampholder: E27, max. 100 W

POSA 36 R – Ms	Solid brass polished, lacquered	930 €
POSA 36 R – Mt	Solid brass matt brushed, lacquered	977 €
POSA 36 R – N	Solid brass, nickel-plated	930 €
POSA 36 R – Nm	Solid brass nickel-plated, matt brushed	977 €
POSA 36 R – Cr	Solid brass, chrome-plated	977 €
POSA 36 R – Cu	Solid brass copper-plated, lacquered	1.023 €
POSA 36 R – Cm	Solid brass copper-plated, matt brushed, lacquered	1.070 €
POSA 36 R – Br	Solid brass bronzed, lacquered	1.116 €
POSA 36 R – Bd	Solid brass dark-bronzed, lacquered	1.209 €



POSA 36 D – Double pull

Adjustable pendant lamp

Canopy: Ø 7 cm (2.8")
Shade: glass white-opal, Ø 36 cm (14.2")
Lampholder: 2 x E27, max. 2 x 100 W

POSA 36 D – Ms	Solid brass polished, lacquered	1.449 €
POSA 36 D – Mt	Solid brass matt brushed, lacquered	1.521 €
POSA 36 D – Ni	Solid brass, nickel-plated	1.449 €
POSA 36 D – Nm	Solid brass nickel-plated, matt brushed	1.521 €
POSA 36 D – Cr	Solid brass, chrome-plated	1.521 €
POSA 36 D – Cu	Solid brass copper-plated, lacquered	1.594 €
POSA 36 D – Cm	Solid brass copper-plated, matt brushed, lacquered	1.667 €
POSA 36 D – Br	Solid brass bronzed, lacquered	1.739 €
POSA 36 D – Bd	Solid brass dark-bronzed, lacquered	1.884 €



*The listed net prices do not include shipping costs
- according to price table on pages 82/83.*

Designed by: Florian Schulz

Textile cable black. On request: brown, gold, silver.



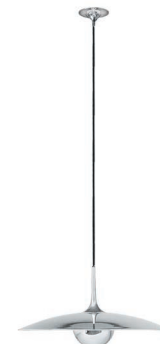


ONOS 55 P – Pendant

Pendant lamp

Canopy: Ø 12 cm (4.7")
 Shade: metal Ø 55 cm (21.7"), metal light diffuser
 Lampholder: E27, max. 100 W

ONOS 55 P – Ms	Solid brass polished, lacquered	1.157 €
ONOS 55 P – Mt	Solid brass matt brushed, lacquered	1.272 €
ONOS 55 P – Ni	Solid brass, nickel-plated	1.157 €
ONOS 55 P – Nm	Solid brass nickel-plated, matt brushed	1.272 €
ONOS 55 P – Cr	Solid brass, chrome-plated	1.272 €
ONOS 55 P – Cu	Solid brass copper-plated, lacquered	1.272 €
ONOS 55 P – Cm	Solid brass copper-plated, matt brushed, lacquered	1.330 €
ONOS 55 P – Br	Solid brass bronzed, lacquered	1.388 €
ONOS 55 P – Bd	Solid brass dark-bronzed, lacquered	1.504 €

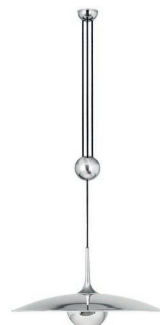


ONOS 55 M – Center pull

Adjustable pendant lamp

Canopy: Ø 9 cm (3.5")
 Shade: metal Ø 55 cm (21.7"), metal light diffuser
 Lampholder: E27, max. 100 W

ONOS 55 M – Ms	Solid brass polished, lacquered	1.425 €
ONOS 55 M – Mt	Solid brass matt brushed, lacquered	1.567 €
ONOS 55 M – Ni	Solid brass, nickel-plated	1.425 €
ONOS 55 M – Nm	Solid brass nickel-plated, matt brushed	1.567 €
ONOS 55 M – Cr	Solid brass, chrome-plated	1.567 €
ONOS 55 M – Cu	Solid brass copper-plated, lacquered	1.567 €
ONOS 55 M – Cm	Solid brass copper-plated, matt brushed, lacquered	1.639 €
ONOS 55 M – Br	Solid brass bronzed, lacquered	1.710 €
ONOS 55 M – Bd	Solid brass dark-bronzed, lacquered	1.852 €



ONOS 55 S – Side pull

Adjustable pendant lamp

Canopy: Ø 7 cm (2.8")
 Shade: metal Ø 55 cm (21.7"), metal light diffuser
 Lampholder: E27, max. 100 W

ONOS 55 S – Ms	Solid brass polished, lacquered	1.425 €
ONOS 55 S – Mt	Solid brass matt brushed, lacquered	1.567 €
ONOS 55 S – Ni	Solid brass, nickel-plated	1.425 €
ONOS 55 S – Nm	Solid brass nickel-plated, matt brushed	1.567 €
ONOS 55 S – Cr	Solid brass, chrome-plated	1.567 €
ONOS 55 S – Cu	Solid brass copper-plated, lacquered	1.567 €
ONOS 55 S – Cm	Solid brass copper-plated, matt brushed, lacquered	1.639 €
ONOS 55 S – Br	Solid brass bronzed, lacquered	1.710 €
ONOS 55 S – Bd	Solid brass dark-bronzed, lacquered	1.852 €



ONOS 55 R – Straight pull ceiling mounted

Adjustable pendant lamp

Shade: metal Ø 55 cm (21.7"), metal light diffuser
Lampholder: E27, max. 100 W

ONOS 55 R – Ms	Solid brass polished, lacquered	1.607 €
ONOS 55 R – Mt	Solid brass matt brushed, lacquered	1.768 €
ONOS 55 R – Ni	Solid brass, nickel-plated	1.607 €
ONOS 55 R – Nm	Solid brass nickel-plated, matt brushed	1.768 €
ONOS 55 R – Cr	Solid brass, chrome-plated	1.768 €
ONOS 55 R – Cu	Solid brass copper-plated, lacquered	1.767 €
ONOS 55 R – Cm	Solid brass copper-plated, matt brushed, lacquered	1.847 €
ONOS 55 R – Br	Solid brass bronzed, lacquered	1.928 €
ONOS 55 R – Bd	Solid brass dark-bronzed, lacquered	2.088 €



ONOS 55 D – Double pull

Adjustable pendant lamp

Canopy: Ø 7 cm (2.8")
Shade: metal Ø 55 cm (21.7"), metal light diffuser
Lampholder: 2 x E27, max. 2 x 100 W

ONOS 55 D – Ms	Solid brass polished, lacquered	2.613 €
ONOS 55 D – Mt	Solid brass matt brushed, lacquered	2.874 €
ONOS 55 D – Ni	Solid brass, nickel-plated	2.613 €
ONOS 55 D – Nm	Solid brass nickel-plated, matt brushed	2.874 €
ONOS 55 D – Cr	Solid brass, chrome-plated	2.874 €
ONOS 55 D – Cu	Solid brass copper-plated, lacquered	2.875 €
ONOS 55 D – Cm	Solid brass copper-plated, matt brushed, lacquered	3.005 €
ONOS 55 D – Br	Solid brass bronzed, lacquered	3.136 €
ONOS 55 D – Bd	Solid brass dark-bronzed, lacquered	3.397 €



*The listed net prices do not include shipping costs
- according to price table on pages 82/83.*

Designed by: Florian Schulz

Textile cable black. On request: brown, gold, silver.





ONOS 40 P – Pendant

Pendant lamp

Canopy: Ø 12 cm (4.7")
 Shade: metal Ø 40 cm (15.7"), metal light diffuser
 Lampholder: E27, max. 100 W

ONOS 40 P – Ms	Solid brass polished, lacquered	942 €
ONOS 40 P – Mt	Solid brass matt brushed, lacquered	1.036 €
ONOS 40 P – Ni	Solid brass, nickel-plated	942 €
ONOS 40 P – Nm	Solid brass nickel-plated, matt brushed	1.036 €
ONOS 40 P – Cr	Solid brass, chrome-plated	1.036 €
ONOS 40 P – Cu	Solid brass copper-plated, lacquered	1.037 €
ONOS 40 P – Cm	Solid brass copper-plated, matt brushed, lacquered	1.084 €
ONOS 40 P – Br	Solid brass bronzed, lacquered	1.131 €
ONOS 40 P – Bd	Solid brass dark-bronzed, lacquered	1.225 €



ONOS 40 M – Center pull

Adjustable pendant lamp

Canopy: Ø 9 cm (3.5")
 Shade: metal Ø 40 cm (15.7"), metal light diffuser
 Lampholder: E27, max. 100 W

ONOS 40 M – Ms	Solid brass polished, lacquered	1.264 €
ONOS 40 M – Mt	Solid brass matt brushed, lacquered	1.390 €
ONOS 40 M – Ni	Solid brass, nickel-plated	1.264 €
ONOS 40 M – Nm	Solid brass nickel-plated, matt brushed	1.390 €
ONOS 40 M – Cr	Solid brass, chrome-plated	1.390 €
ONOS 40 M – Cu	Solid brass copper-plated, lacquered	1.390 €
ONOS 40 M – Cm	Solid brass copper-plated, matt brushed, lacquered	1.453 €
ONOS 40 M – Br	Solid brass bronzed, lacquered	1.517 €
ONOS 40 M – Bd	Solid brass dark-bronzed, lacquered	1.643 €



ONOS 40 S – Side pull

Adjustable pendant lamp

Canopy: Ø 7 cm (2.8")
 Shade: metal Ø 40 cm (15.7"), metal light diffuser
 Lampholder: E27, max. 100 W

ONOS 40 S – Ms	Solid brass polished, lacquered	1.264 €
ONOS 40 S – Mt	Solid brass matt brushed, lacquered	1.390 €
ONOS 40 S – Ni	Solid brass, nickel-plated	1.264 €
ONOS 40 S – Nm	Solid brass nickel-plated, matt brushed	1.390 €
ONOS 40 S – Cr	Solid brass, chrome-plated	1.390 €
ONOS 40 S – Cu	Solid brass copper-plated, lacquered	1.390 €
ONOS 40 S – Cm	Solid brass copper-plated, matt brushed, lacquered	1.453 €
ONOS 40 S – Br	Solid brass bronzed, lacquered	1.517 €
ONOS 40 S – Bd	Solid brass dark-bronzed, lacquered	1.643 €



ONOS 40 R – Straight pull ceiling mounted

Adjustable pendant lamp

Shade: metal Ø 40 cm (15.7"), metal light diffuser
 Lampholder: E27, max. 100 W

ONOS 40 R – Ms	Solid brass polished, lacquered	1.446 €
ONOS 40 R – Mt	Solid brass matt brushed, lacquered	1.590 €
ONOS 40 R – Ni	Solid brass, nickel-plated	1.446 €
ONOS 40 R – Nm	Solid brass nickel-plated, matt brushed	1.590 €
ONOS 40 R – Cr	Solid brass, chrome-plated	1.590 €
ONOS 40 R – Cu	Solid brass copper-plated, lacquered	1.591 €
ONOS 40 R – Cm	Solid brass copper-plated, matt brushed, lacquered	1.663 €
ONOS 40 R – Br	Solid brass bronzed, lacquered	1.736 €
ONOS 40 R – Bd	Solid brass dark-bronzed, lacquered	1.880 €

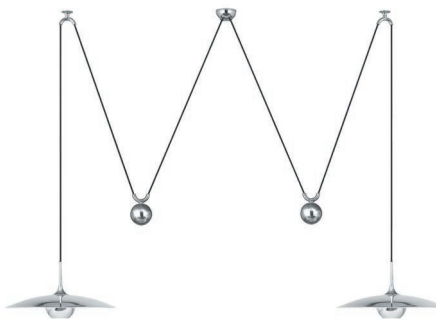


ONOS 40 D – Double pull

Adjustable pendant lamp

Canopy: Ø 7 cm (2.8")
 Shade: metal Ø 40 cm (15.7"), metal light diffuser
 Lampholder: 2 x E27, max. 2 x 100 W

ONOS 40 D – Ms	Solid brass polished, lacquered	2.356 €
ONOS 40 D – Mt	Solid brass matt brushed, lacquered	2.592 €
ONOS 40 D – Ni	Solid brass, nickel-plated	2.356 €
ONOS 40 D – Nm	Solid brass nickel-plated, matt brushed	2.592 €
ONOS 40 D – Cr	Solid brass, chrome-plated	2.592 €
ONOS 40 D – Cu	Solid brass copper-plated, lacquered	2.592 €
ONOS 40 D – Cm	Solid brass copper-plated, matt brushed, lacquered	2.710 €
ONOS 40 D – Br	Solid brass bronzed, lacquered	2.827 €
ONOS 40 D – Bd	Solid brass dark-bronzed, lacquered	3.063 €



*The listed net prices do not include shipping costs
 - according to price table on pages 82/83.*

Designed by: Florian Schulz

Textile cable black. On request: brown, gold, silver.





P80-1

Pendant lamp, height adjustable

Designed by: Jens Schump

Height: from 65 cm (25.6") – 135 cm (53.15") (standard)*
 Canopy: Ø 6 cm (2.36")
 Shade: Ø 8 cm (3.15"), 16,5 cm (6.5") high
 Bulb: 1 x LED (20 Watt) incl., 2000 Lumen
 Color temperature: Dim-to-Warm from 3100° – 1850 °K
 Color rendering: > 90 Ra
 Dimmer: possible via house installation (standard)**

P80-1 – Ms	Solid brass polished, lacquered	677 €
P80-1 – Mt	Solid brass matt brushed, lacquered	745 €
P80-1 – Ni	Solid brass, nickel-plated	677 €
P80-1 – Nm	Solid brass nickel-plated, matt brushed	745 €
P80-1 – Cr	Solid brass, chrome-plated	745 €
P80-1 – Cu	Solid brass copper-plated, lacquered	745 €
P80-1 – Cm	Solid brass copper-plated, matt brushed, lacquered	779 €
P80-1 – Br	Solid brass bronzed, lacquered	813 €
P80-1 – Bd	Solid brass dark-bronzed, lacquered	880 €

*The listed net prices do not include shipping costs
 - according to price table on pages 82/83.*

P80-3

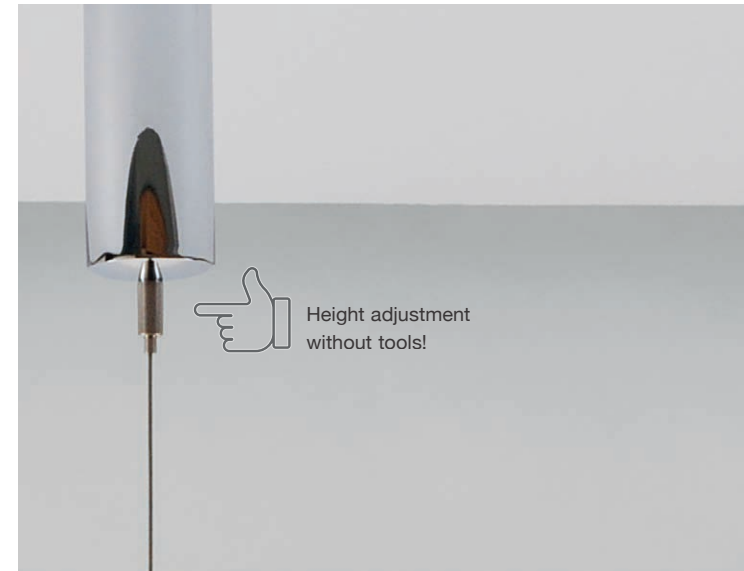
Triple pendant lamp, individually height-adjustable

Designed by: Jens Schump

Height: 3 x from 65 cm (25.6") – 135 cm (53.15") (standard)*
 Canopy: 132 cm (51.97") long, 8 cm (3.15") wide, 4 cm (1.57") high
 Shade: 3 x Ø 8 cm (3.15"), 16,5 cm (6.5") high
 Bulb: 3 x LED (3 x 20 Watt) incl., 6000 Lumen
 Color temperature: Dim-to-Warm from 3100° – 1850 °K
 Color rendering: > 90 Ra
 Dimmer: possible via house installation (standard)**

P80-3 – Ms	Solid brass polished, lacquered	1.705 €
P80-3 – Mt	Solid brass matt brushed, lacquered	1.875 €
P80-3 – Ni	Solid brass, nickel-plated	1.705 €
P80-3 – Nm	Solid brass nickel-plated, matt brushed	1.875 €
P80-3 – Cr	Solid brass, chrome-plated	1.875 €
P80-3 – Cu	Solid brass copper-plated, lacquered	1.876 €
P80-3 – Cm	Solid brass copper-plated, matt brushed, lacquered	1.961 €
P80-3 – Br	Solid brass bronzed, lacquered	2.047 €
P80-3 – Bd	Solid brass dark-bronzed, lacquered	2.217 €

*The listed net prices do not include shipping costs
 - according to price table on pages 82/83.*



Height adjustment
without tools!

* Other suspension heights on request.

** DALI-Modul with Casambi Dimmer 165 €

Alternatively, we recommend (*non-binding*)
the following dimmer brands:

- Jung 1731DD
- Feller 40300.RC
- Arditi 027505
- Kopp 8033





PEN 100

**Pendant lamp, adjustable height
both light elements can be rotated (360°)**

Designed by: Florian Schulz

Length: 100 cm (39.4")

Canopy: 15 x 15 x 5 cm (5.9" x 5.9" x 2.0")

Height: 80 to 140 cm (31.5" to 55.1") adjustable (standard)*

Bulb: 2 x LED 150 (approx. 12 watts in total) incl.
exchangeable
approx. 1200 Lumen

Color temperature: warmwhite 2700 K

Color rendering: > 90 Ra

Dimmer: possible via house installation (standard)**

PEN 100 – Ms	Solid brass polished, lacquered	1.371 €
PEN 100 – Mt	Solid brass matt brushed, lacquered	1.478 €
PEN 100 – Ni	Solid brass, nickel-plated	1.371 €
PEN 100 – Nm	Solid brass nickel-plated, matt brushed	1.478 €
PEN 100 – Cr	Solid brass, chrome-plated	1.478 €
PEN 100 – Cu	Solid brass copper-plated, lacquered	1.508 €
PEN 100 – Cm	Solid brass copper-plated, matt brushed, lacquered	1.577 €
PEN 100 – Br	Solid brass bronzed, lacquered	1.645 €
PEN 100 – Bd	Solid brass dark-bronzed, lacquered	1.782 €

The listed net prices do not include shipping costs

- according to price table on pages 82/83.

* The following suspensions on request (without surcharge):

Overall height 105 – 200 cm (41.3" – 78.7")

Overall height 130 – 250 cm (51.2" – 98.4")

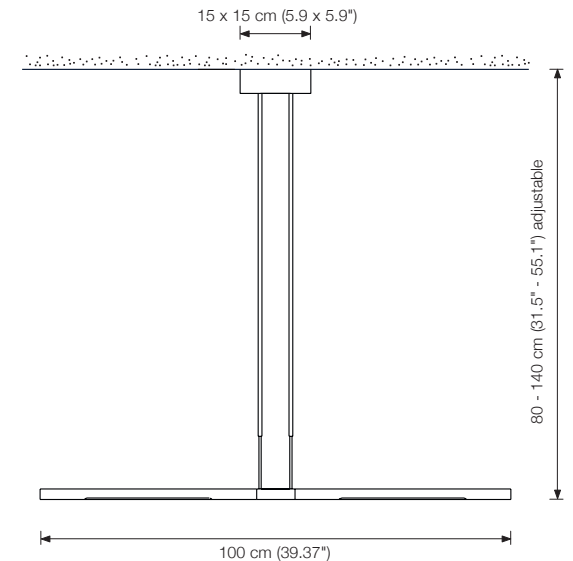
Other pendulum lengths possible on request (with additional charge of 286 €)

** DALI-Modul with Casambi Dimmer **165 €**

Alternatively, we recommend (*non-binding*)

the following dimmer brands:

- Jung 1731DD
- Feller 40300.RC
- Arditì 027505
- Kopp 8033



PEN 121

Pendant lamp, adjustable height
outer light elements can be rotated (360°)

Designed by: Florian Schulz

Length: 121 cm (47.6")
 Canopy: 46,5 x 5 x 5 cm (18.3" x 2.0" x 2.0")
 Height: 80 to 140 cm (31.5" to 55.1") adjustable (standard)*
 Bulb: 3 x LED 150 (approx. 24 watts in total) incl.
 exchangeable
 approx. 2200 Lumen

Color temperature: warmwhite 2700 K

Color rendering: > 90 Ra

Dimmer: possible via house installation (standard)**

PEN 121 – Ms	Solid brass polished, lacquered	1.692 €
PEN 121 – Mt	Solid brass matt brushed, lacquered	1.853 €
PEN 121 – Ni	Solid brass, nickel-plated	1.692 €
PEN 121 – Nm	Solid brass nickel-plated, matt brushed	1.853 €
PEN 121 – Cr	Solid brass, chrome-plated	1.853 €
PEN 121 – Cu	Solid brass copper-plated, lacquered	1.861 €
PEN 121 – Cm	Solid brass copper-plated, matt brushed, lacquered	1.946 €
PEN 121 – Br	Solid brass bronzed, lacquered	2.031 €
PEN 121 – Bd	Solid brass dark-bronzed, lacquered	2.200 €

The listed net prices do not include shipping costs

- according to price table on pages 82/83.

* The following suspensions on request (without surcharge):

Overall height 105 – 200 cm (41.3" – 78.7")

Overall height 130 – 250 cm (51.2" – 98.4")

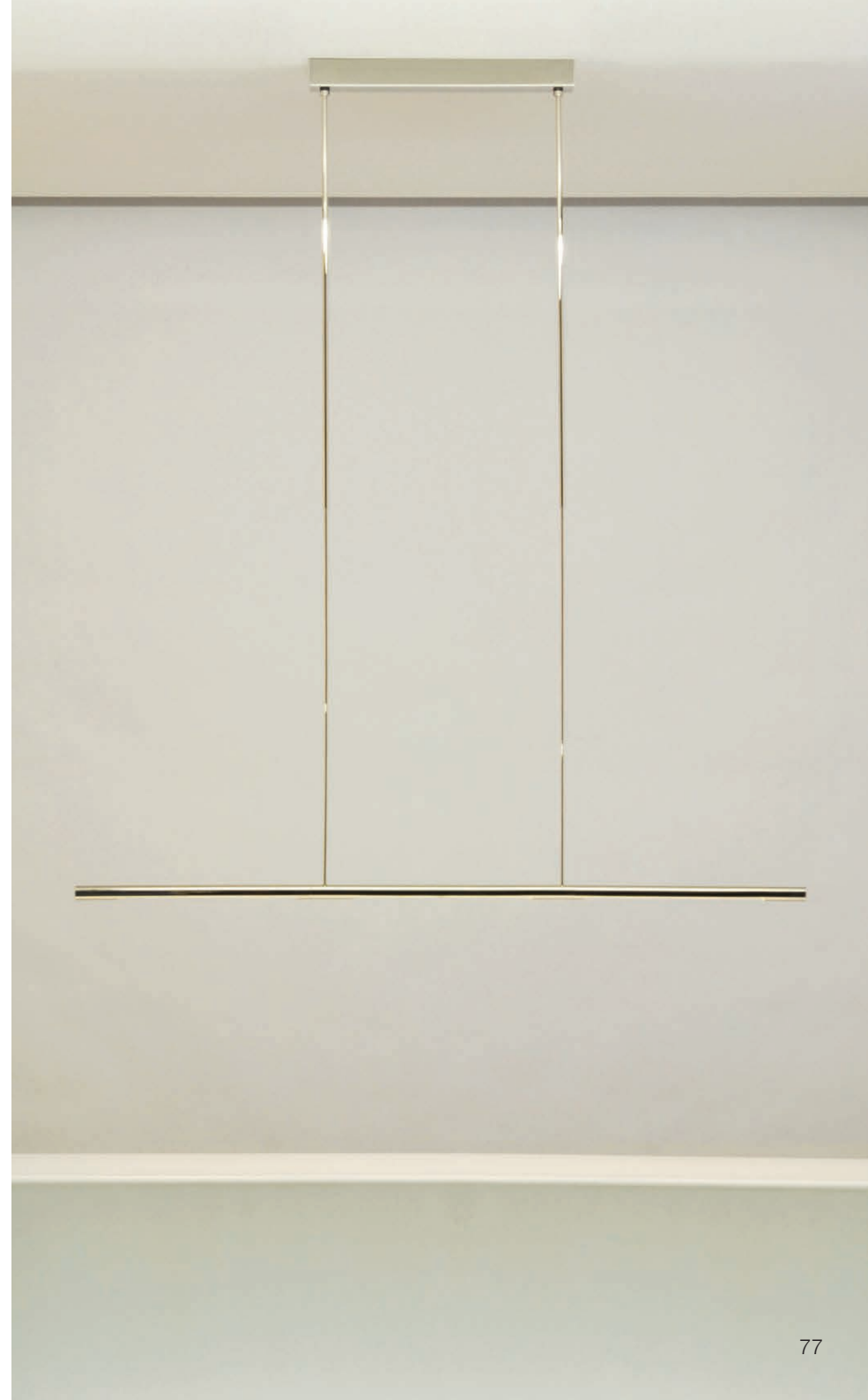
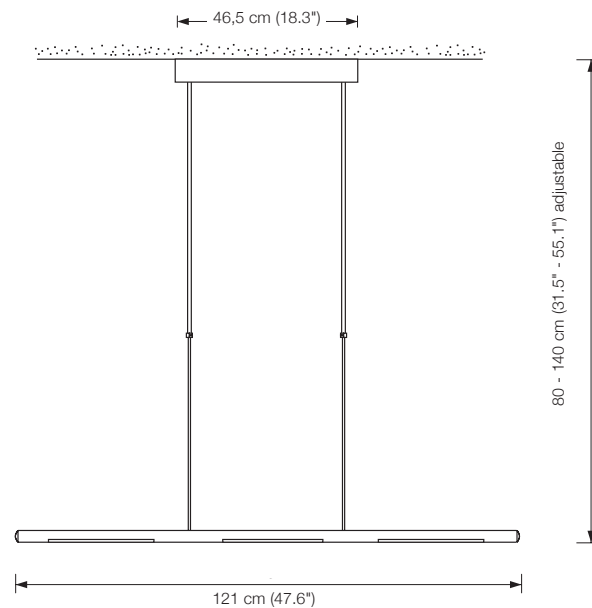
Other pendulum lengths possible on request (with additional charge of 286 €)

** DALI-Modul with Casambi Dimmer **165 €**

Alternatively, we recommend (*non-binding*)

the following dimmer brands:

- Jung 1731DD
- Feller 40300.RC
- Arditì 027505
- Kopp 8033





PEN 142

Pendant lamp, adjustable height
all light elements can be rotated (360°)

Designed by: Florian Schulz

Length: 142 cm (55.9")
 Canopy: 53 x 5 x 5 cm (20.9" x 2.0" x 2.0")
 Height: 80 to 140 cm (31.5" to 55.1") adjustable (standard)*
 Bulb: 3 x LED 150 (approx. 24 watts in total) incl. exchangeable approx. 2200 Lumen

Color temperature: warmwhite 2700 K
 Color rendering: > 90 Ra
 Dimmer: possible via house installation (standard)**

PEN 142 – Ms	Solid brass polished, lacquered	1.692 €
PEN 142 – Mt	Solid brass matt brushed, lacquered	1.853 €
PEN 142 – Ni	Solid brass, nickel-plated	1.692 €
PEN 142 – Nm	Solid brass nickel-plated, matt brushed	1.853 €
PEN 142 – Cr	Solid brass, chrome-plated	1.853 €
PEN 142 – Cu	Solid brass copper-plated, lacquered	1.861 €
PEN 142 – Cm	Solid brass copper-plated, matt brushed, lacquered	1.946 €
PEN 142 – Br	Solid brass bronzed, lacquered	2.031 €
PEN 142 – Bd	Solid brass dark-bronzed, lacquered	2.200 €

The listed net prices do not include shipping costs
- according to price table on pages 82/83.

* The following suspensions on request (without surcharge):

Overall height 105 – 200 cm (41.3" – 78.7")

Overall height 130 – 250 cm (51.2" – 98.4")

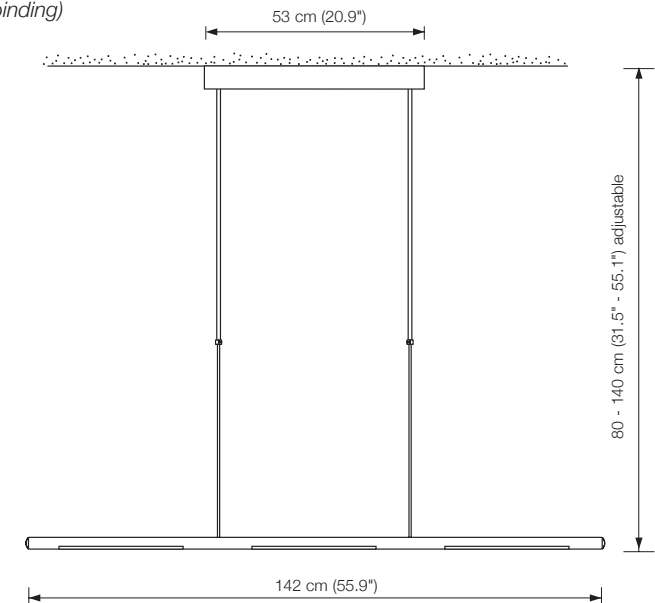
Other pendulum lengths possible on request (with additional charge of 286 €)

** DALI-Modul with Casambi Dimmer 165 €

Alternatively, we recommend (*non-binding*)

the following dimmer brands:

- Jung 1731DD
- Feller 40300.RC
- Arditì 027505
- Kopp 8033







OY Discontinued Model

Spot
rotatable 360°

Designed by: Florian Schulz

Height of Shade: 8,4 cm (3.3")

Ø Shade: 5,5 cm (2.2")

Ø Wall installation: 9 cm (3.5")

Lampholder: GU10 (high-voltage)

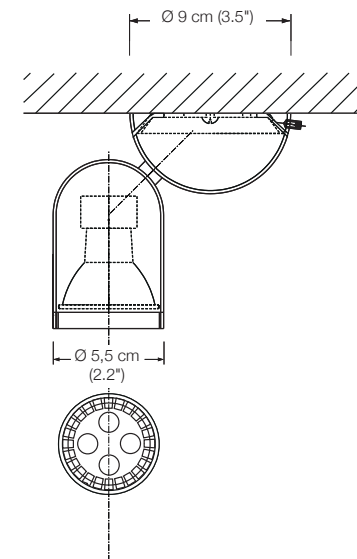
Bulb: 1 x GU10, 575 Lumen incl.
dimmable
exchangeable

Color temperature: warmwhite 2700 K

Color rendering: > 90 Ra

OY – Ms	Solid brass polished, lacquered	514 €
OY – Mt	Solid brass matt brushed, lacquered	557 €
OY – Ni	Solid brass, nickel-plated	514 €
OY – Nm	Solid brass nickel-plated, matt brushed	557 €
OY – Cr	Solid brass, chrome-plated	557 €
OY – Cu	Solid brass copper-plated, lacquered	565 €
OY – Cm	Solid brass copper-plated, matt brushed, lacquered	591 €
OY – Br	Solid brass bronzed, lacquered	617 €
OY – Bd	Solid brass dark-bronzed, lacquered	668 €

*The listed net prices do not include shipping costs
- according to price table on pages 82/83.*



OYO Discontinued Model

Spotlight
swivelling to all sides
for reflector lights

Designed by: Florian Schulz

Ø Wall installation: approx. 12 cm (4.7")

Ø Shade: approx. 13 cm (5.1")

Lampholder: G53

Bulb: 1 x GU53 LED Spot (8,5 W $\hat{=}$ 50 W), 24 ° incl.*
 dimmable
 exchangeable
 approx. 450 Lumen

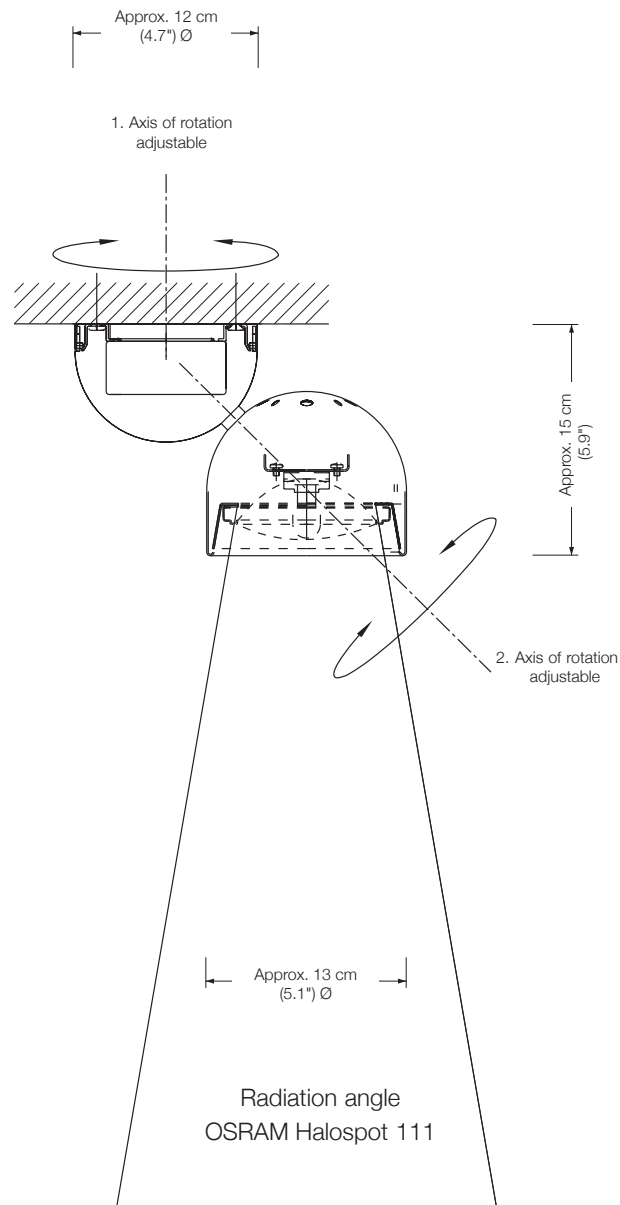
Color temperature: warmwhite 2700 K

Color rendering: > 90 Ra

OYO – Ms	Solid brass polished, lacquered	750 €
OYO – Mt	Solid brass matt brushed, lacquered	825 €
OYO – Ni	Solid brass, nickel-plated	750 €
OYO – Nm	Solid brass nickel-plated, matt brushed	825 €
OYO – Cr	Solid brass, chrome-plated	825 €
OYO – Cu	Solid brass copper-plated, lacquered	825 €
OYO – Cm	Solid brass copper-plated, matt brushed, lacquered	862 €
OYO – Br	Solid brass bronzed, lacquered	900 €
OYO – Bd	Solid brass dark-bronzed, lacquered	975 €

*The listed net prices do not include shipping costs
 - according to price table on pages 82/83.*

* Other bulbs available on request.



Shipping Prices *

Model	Germany	Group A	Group B	Group C
ALEA	6,46 €	12,62 €	18,96 €	57,96 €
ALIA	6,10 €	12,08 €	18,00 €	46,37 €
BEO	6,10 €	12,08 €	18,00 €	46,37 €
BLOC	6,10 €	12,08 €	18,00 €	46,37 €
CERVANTES	7,79 €	15,51 €	23,98 €	102,88 €
CINA W	6,10 €	12,08 €	18,00 €	46,37 €
DROP	7,79 €	15,51 €	23,98 €	102,88 €
DUOS 36-D	13,78 €	27,53 €	41,65 €	147,80 €
DUOS 36-M	7,79 €	15,51 €	23,98 €	102,88 €
DUOS 36-P	6,46 €	12,62 €	18,96 €	57,96 €
DUOS 36-R	6,89 €	13,77 €	20,83 €	73,90 €
DUOS 36-S	6,89 €	13,77 €	20,83 €	73,90 €
ELAS	6,10 €	12,08 €	18,00 €	46,37 €
ELAS S	11,17 €	21,84 €	32,43 €	81,55 €
ERA 33	6,10 €	12,08 €	18,00 €	46,37 €
ERA 40	6,10 €	12,08 €	18,00 €	46,37 €
EREA 55	7,79 €	15,51 €	23,98 €	102,88 €
EREA 80 **	-	-	-	-
ESA	6,46 €	12,62 €	18,96 €	57,96 €
GEA	6,46 €	12,62 €	18,96 €	57,96 €
GELA 40	6,46 €	12,62 €	18,96 €	57,96 €
GELA 55	6,46 €	12,62 €	18,96 €	57,96 €
GELA 80 **	-	-	-	-
GO 30	6,89 €	13,77 €	20,83 €	73,90 €
INAS	12,44 €	24,63 €	36,77 €	105,05 €
INAS SD	13,34 €	26,38 €	39,92 €	134,03 €
LESAN M	7,79 €	15,51 €	23,98 €	102,88 €
LESAN S	12,44 €	24,63 €	36,77 €	105,05 €
LIN	6,46 €	12,62 €	18,96 €	57,96 €
LONEA	7,79 €	15,51 €	23,98 €	102,88 €
LONEA SD	7,79 €	15,51 €	23,98 €	102,88 €

Model	Germany	Group A	Group B	Group C
LOT	6,46 €	12,62 €	18,96 €	57,96 €
MESA 18	5,99 €	11,97 €	18,11 €	64,26 €
MESA 24	14,25 €	28,13 €	42,94 €	160,84 €
MYOS	13,88 €	27,59 €	41,98 €	149,25 €
MYOS T 40	13,88 €	27,59 €	41,98 €	149,25 €
MYOS T 55	15,46 €	30,73 €	46,49 €	198,51 €
OKON **	-	-	-	-
OLA 25	6,10 €	12,08 €	18,00 €	46,37 €
OLA 36	6,46 €	12,62 €	18,96 €	57,96 €
ONE 58	6,89 €	13,77 €	20,83 €	73,90 €
ONE 80	7,79 €	15,51 €	23,98 €	102,88 €
ONOS 40-D	14,25 €	28,13 €	42,94 €	160,84 €
ONOS 40-M	6,89 €	13,77 €	20,83 €	73,90 €
ONOS 40-P	6,89 €	13,77 €	20,83 €	73,90 €
ONOS 40-R	6,89 €	13,77 €	20,83 €	73,90 €
ONOS 40-S	6,89 €	13,77 €	20,83 €	73,90 €
ONOS 55-D	15,57 €	31,03 €	47,96 €	205,76 €
ONOS 55-M	7,79 €	15,51 €	23,98 €	102,88 €
ONOS 55-P	6,46 €	12,62 €	18,96 €	57,96 €
ONOS 55-R	7,79 €	15,51 €	23,98 €	102,88 €
ONOS 55-S	7,79 €	15,51 €	23,98 €	102,88 €
ORA 20	11,65 €	22,94 €	33,94 €	77,52 €
ORA 25	12,19 €	24,15 €	36,00 €	92,74 €
OVA	8,99 €	18,11 €	27,53 €	140,55 €
OY	6,10 €	12,08 €	18,00 €	46,37 €
OYO	6,10 €	12,08 €	18,00 €	46,37 €
P80-1	6,10 €	12,08 €	18,00 €	46,37 €
P80-3	7,79 €	15,51 €	23,98 €	102,88 €
PEN 100	6,46 €	12,62 €	18,96 €	57,96 €
PEN 121	6,89 €	13,77 €	20,83 €	73,90 €
PEN 142	7,79 €	15,51 €	23,98 €	102,88 €

Model	Germany	Group A	Group B	Group C
PIN	7,79 €	15,51 €	23,98 €	102,88 €
PIN d	6,89 €	13,77 €	20,83 €	73,90 €
PIN T	6,89 €	13,77 €	20,83 €	73,90 €
PIN W dim	6,89 €	13,77 €	20,83 €	73,90 €
POSA 36-D	19,08 €	37,92 €	56,82 €	166,64 €
POSA 36-M	6,46 €	12,62 €	18,96 €	57,96 €
POSA 36-P	6,10 €	12,08 €	18,00 €	46,37 €
POSA 36-R	6,46 €	12,62 €	18,96 €	57,96 €
POSA 36-S	6,89 €	13,77 €	20,83 €	73,90 €
SELA 40	6,46 €	12,62 €	18,96 €	57,96 €
SELA 55	6,89 €	13,77 €	20,83 €	73,90 €
SOLA 80	15,46 €	30,73 €	46,49 €	198,51 €
STE	13,34 €	26,38 €	39,92 €	134,03 €
TAOS 40	13,88 €	27,59 €	41,98 €	149,25 €
TAOS 40 SD	13,88 €	27,59 €	41,98 €	149,25 €
TAOS 55	14,25 €	28,13 €	42,94 €	160,84 €
TAOS 55 SD	14,25 €	28,13 €	42,94 €	160,84 €
TAU	12,56 €	24,69 €	36,96 €	104,33 €
TES	6,89 €	13,77 €	20,83 €	73,90 €
TOA	6,46 €	12,62 €	18,96 €	57,96 €
TOLED	6,46 €	12,62 €	18,96 €	57,96 €
TOPAN	6,89 €	13,77 €	20,83 €	73,90 €
UNA	7,79 €	15,51 €	23,98 €	102,88 €
VAO	6,10 €	12,08 €	18,00 €	46,37 €
VAYO	7,79 €	15,51 €	23,98 €	102,88 €
VEA	6,10 €	12,08 €	18,00 €	46,37 €
WED	6,10 €	12,08 €	18,00 €	46,37 €
WIN	6,46 €	12,62 €	18,96 €	57,96 €
YON	6,89 €	13,77 €	20,83 €	73,90 €
YON G	8,99 €	18,11 €	27,53 €	140,55 €
YON T	6,89 €	13,77 €	20,83 €	73,90 €

Country Groups:

Group A: Belgium, Luxemburg, Netherlands, Austria, Poland, Czech Republic, Hungary, Denmark, France, Italy, Croatia, Romania, Portugal, Slovenia, Spain

Group B: England, Scotland, Wales

Group C: Hong Kong, India, Japan, Canada, Macedonia, Mexico, Montenegro, Russia, Saudi Arabia, Serbia, Singapore, Taiwan, Turkey, Ukraine, United Arab Emirates (UAE), United States of America (USA), Vietnam, China (PRC), Belarus, Andorra, Canary Islands (Guernsey & Jersey), Norway, San Marino, Switzerland

All other countries, please inquire directly.

The listed net prices do not include value-added tax which will be calculated additionally.

Shipping can also be managed independently, if preferred.

* Additional fee for direct shipping (to residential addresses): 2,50 €

** EREA 80, GELA 80 and OKON will only be shipped with a delivery agent, due to its size. Freight shipment per request.



VS Manufaktur
Wahlwiesenstr. 1
71711 Steinheim an der Murr
Germany

Tel. +49 (0)7144 889 110 5

Fax +49 (0)7144 889 110 7

www.vs-manufaktur.de

info@vs-manufaktur.de

All rights reserved.
Specifications and design subject to change without notice.