

VS manufaktur
licht + objekt



Timeless craftsmanship

Our mission is to manufacture lamps of lasting value,
in function and in form distinguished
by superior craftsmanship and timeless design.

VS manufaktur
licht + objekt

Collection 2020

Recommended retail price without VAT, valid with effect from February 1st 2020.

With immediate effect, only the models specified in this list are available.

The technical data in this price list shall apply exclusively.

Alphabetical index

| | page | | page | | page |
|-----------|---------|-----------|---------|------------|---------|
| ALIA | 43 | MESA 24 | 11 | POSA 36 | 60 – 61 |
| BEO | 44 | MYOS | 16 | SELA 40 | 53 |
| CERVANTES | 30 | MYOS T | 17 | SELA 55 | 53 |
| CINA W. | 46 | OKON | 13 | SOLA 80 | 52 |
| DROP | 22 – 23 | OLA 25 | 56 | STE | 21 |
| DUOS 36 | 58 – 59 | OLA 36 | 57 | TAOS 40 | 18 |
| ELAS | 37 | ONE 58 | 6 | TAOS 40 SD | 19 |
| ELAS S. | 37 | ONE 80 | 7 | TAOS 55 | 18 |
| ERA 33 | 45 | ONOS 40 | 64 – 65 | TAOS 55 SD | 19 |
| ERA 40 | 45 | ONOS 55 | 62 – 63 | TOA | 38 |
| EREA 55 | 50 | ORA 20 | 36 | TOLED | 33 |
| EREA 80 | 51 | ORA 25 | 36 | TOPAN | 32 |
| ESA | 39 | OVA | 8 – 9 | UNA | 20 |
| GEA | 42 | OY | 74 | VAO | 49 |
| GELA 40 | 54 – 55 | OYO | 75 | VAYO | 12 |
| GELA 55 | 54 – 55 | P80-1 | 68 – 69 | VEA | 48 |
| GELA 80 | 54 – 55 | P80-3 | 68 – 69 | WED | 41 |
| INAS | 26 | PEN 100 | 70 | WIN | 47 |
| INAS SD | 27 | PEN 121 | 71 | YON | 28 – 29 |
| LESAN M | 31 | PEN 142 | 72 – 73 | YON G | 28 – 29 |
| LESAN S. | 31 | PIN | 24 – 25 | YON T | 35 |
| LONEA | 14 | PIN d | 24 – 25 | | |
| LONEA SD | 15 | PIN T | 34 | | |
| MESA 18 | 10 | PIN W dim | 40 | | |

Collection

| | page |
|---------------------------|---------|
| Chandeliers: | 6 – 11 |
| Floorlamps: | 12 – 20 |
| Arc floor lamps: | 21 |
| Floor reading lamps: | 22 – 31 |
| Table lamps: | 32 – 39 |
| Wall sconces: | 40 – 49 |
| Ceiling lamps: | 50 – 57 |
| Adjustable pendant lamps: | 58 – 65 |
| Pendant lamps: | 68 – 73 |
| Spots: | 74 – 75 |

Prices for non-standard finishes

In addition to the metal finishes quoted in this price list, special finishes are available for most models.

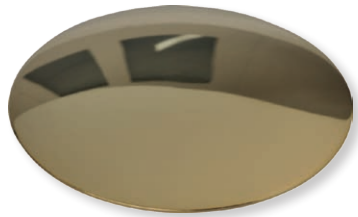
Surcharges are calculated from the basic price for brass (- Ms) or nickel (-Ni): *

| | | |
|---------|--|-------|
| Mp | Solid brass polished, unlacquered | + 10% |
| Ni-lack | Solid brass nickel-plated, lacquered | + 10% |
| Cu | Solid brass copper-plated, lacquered | + 10% |
| Cm | Solid brass copper-plated, matt brushed, lacquered | + 15% |
| Br | Solid brass bronzed, lacquered | + 20% |
| Bd | Solid brass dark-bronzed, lacquered | + 30% |

delivery times on request

* Prices can vary depending on model and technical feasibility.

Finishes



Ms
Solid brass polished, lacquered



Mt
Solid brass matt brushed, lacquered



Ni
Solid brass, nickel-plated

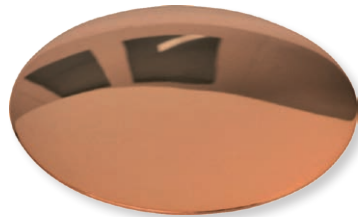


Nm
Solid brass nickel-plated, matt brushed



Cr
Solid brass, chrome-plated

Non-standard finishes



Cu
Solid brass copper-plated, lacquered



Cm
Solid brass copper-plated, matt brushed, lacquered



Br
Solid brass bronzed, lacquered



Bd
Solid brass dark-bronzed, lacquered

Note:

The special surfaces „Mp – Solid brass polished, unlacquered“, and „Ni-lack – Solid brass, nickel-plated, lacquered“ visually look the same, such as „Ms – Solid brass polished, lacquered“ and „Ni – Solid brass, nickel-plated“.



ONE 58

LED chandelier

height: adjustable 0,5 to 2 m (16.69" to 78.74") (standard)*

Ø ring: 58 cm (22.8")

Ø canopy: 25 cm (9.8")

illuminant: LED (31,4 Watt) with glare protection incl.
light upwards and downwards
approx. 3.020 Lumen

colour temperature: warm white 2700 K

colour rendering: > 90 Ra

dimmer: possible via house installation or Casambi**

| | |
|-------------|---|
| ONE 58 – Ms | Solid brass polished, lacquered |
| ONE 58 – Mt | Solid brass matt brushed, lacquered |
| ONE 58 – Ni | Solid brass, nickel-plated |
| ONE 58 – Nm | Solid brass nickel-plated, matt brushed |
| ONE 58 – Cr | Solid brass, chrome-plated |

Energy class: A++ to A.

110 Volt/USA: **not dimmable**

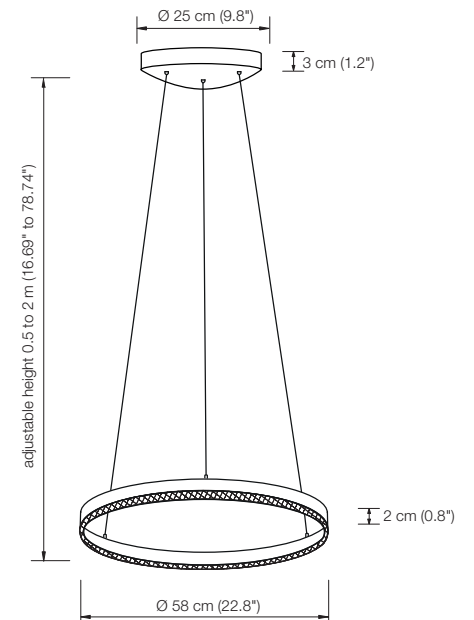
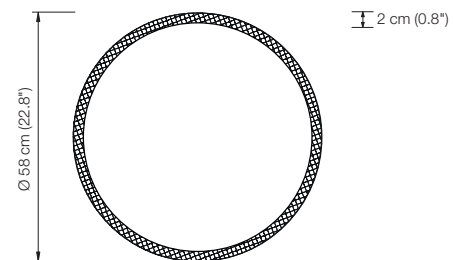
4" junction box: covered

Additional USA 110 V conversion kit: **available on request**

* Other heights: available on request

** We recommend (without obligation) the following dimmer brands:

- GIRA 0307 00/102
- JUNG 1731 DD
- BERKER 2874
- FELLER 40300.RC
- BUSCH-JÄGER 6523U
- ARDITI 027505
- CASAMBI Dimmer 800598 / 800680
- KOPP 8033



ONE 80

LED chandelier

height: adjustable 0.5 to 2 m (16.69" to 78.74") (standard)*

Ø ring: 80 cm (31.5")

Ø canopy: 25 cm (9.8")

illuminant: LED (43 Watt) with glare protection incl.
light upwards and downwards
approx. 4.200 Lumen

colour temperature: warm white 2700 K

colour rendering: > 90 Ra

dimmer: possible via house installation or Casambi**

| | |
|-------------|---|
| ONE 80 – Ms | Solid brass polished, lacquered |
| ONE 80 – Mt | Solid brass matt brushed, lacquered |
| ONE 80 – Ni | Solid brass, nickel-plated |
| ONE 80 – Nm | Solid brass nickel-plated, matt brushed |
| ONE 80 – Cr | Solid brass, chrome-plated |

Energy class: A++ to A.

110 Volt/USA: **not dimmable**

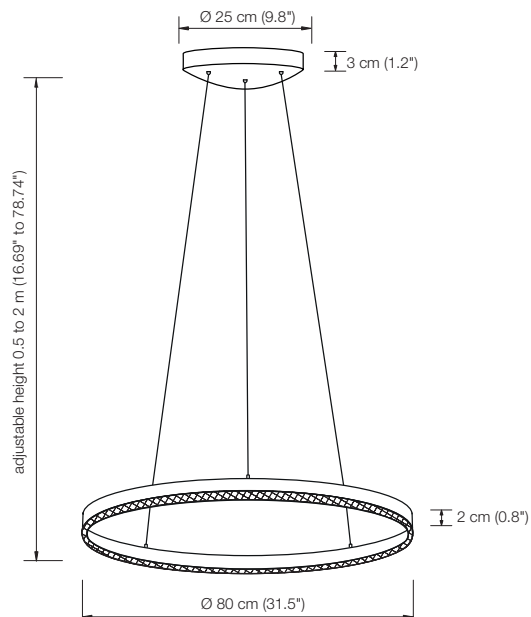
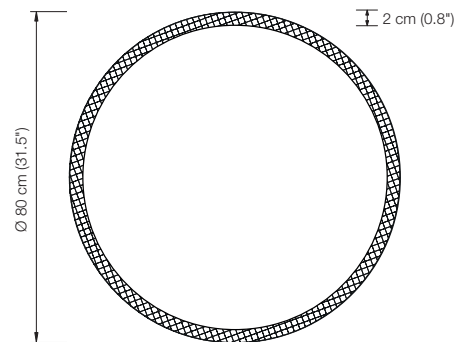
4" junction box: covered

Additional USA 110 V conversion kit: **available on request**

* Other heights: available on request

** We recommend (without obligation) the following dimmer brands:

- GIRA 0307 00/102
- JUNG 1731 DD
- BERKER 2874
- FELLER 40300.FC
- BUSCH-JÄGER 6523U
- ARDITI 027505
- CASAMBI Dimmer 800598 / 800680
- KOPP 8033





OVA

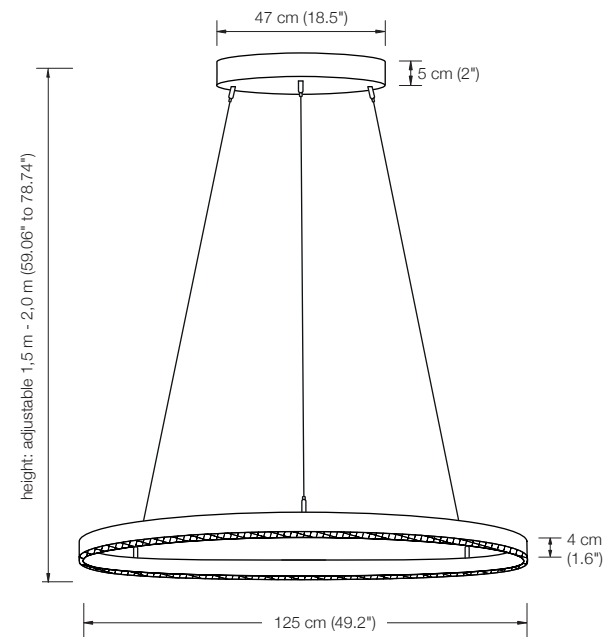
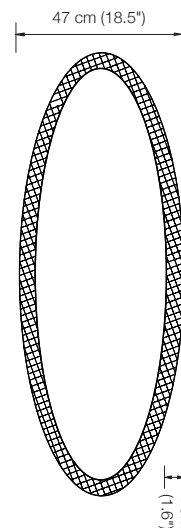
LED chandelier
 height: adjustable 1.5 to 2 m (59.06" to 78.74") (standard)*
 oval shade: 125 cm long, 47 wide, 4 cm high
 (49.2" long, 18.5" wide, 1.6" high)
 canopy: 47 cm long, 14 cm wide, 5 cm high
 (18.5" long, 5.5" wide, 2" high)
 illuminant: LED with glare protection incl.
 light upwards and downwards
 approx. 3.000 Lumen
 colour rendering: > 90 Ra
 dimmer: possible via house installation or Casambi**

OVA – Ms Solid brass polished, lacquered
 OVA – Mt Solid brass matt brushed, lacquered
 OVA – Ni Solid brass, nickel-plated
 OVA – Nm Solid brass nickel-plated, matt brushed
 OVA – Cr Solid brass, chrome-plated

Energy class: A++ to A.

110 Volt/USA: **not dimmable**
 4" junction box: covered
 Additional USA 110 V conversion kit: **available on request**

* Other heights possible, each with a range of 50 cm (19.7").
 ** We recommend (without obligation) the following dimmer brands:
 – GIRA 0307 00/102
 – JUNG 1731 DD
 – BERKER 2874
 – FELLER 40300.RC
 – BUSCH-JÄGER 6523U
 – ARDITI 027505
 – CASAMBI Dimmer 800598 / 800680
 – KOPP 8033







MESA 18

chandelier

18 removable metal arms

total height: min. 85 cm (33.5") - max. 305 cm (120.1") *

Ø: 88 cm (34.6")

lampholder: 18 x G 4, max. 18 x 20 W / 12 V

bulb: 20 x OSRAM HALOSTAR 20 W

dimmer: brightness control is possible **

MESA 18 – Ms Solid brass polished, lacquered

MESA 18 – Mt Solid brass matt brushed, lacquered

MESA 18 – Ni Solid brass, nickel-plated

MESA 18 – Nm Solid brass nickel-plated, matt brushed

MESA 18 – Cr Solid brass, chrome-plated

Energy class: C

4" junction box: covered

Additional USA 110 V conversion kit: **available on request**

* telescopic adjustment:

total height 85 – 125 cm (33.5" – 49.2") (standard)

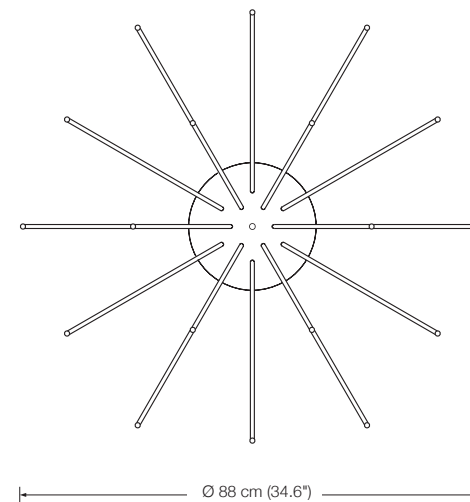
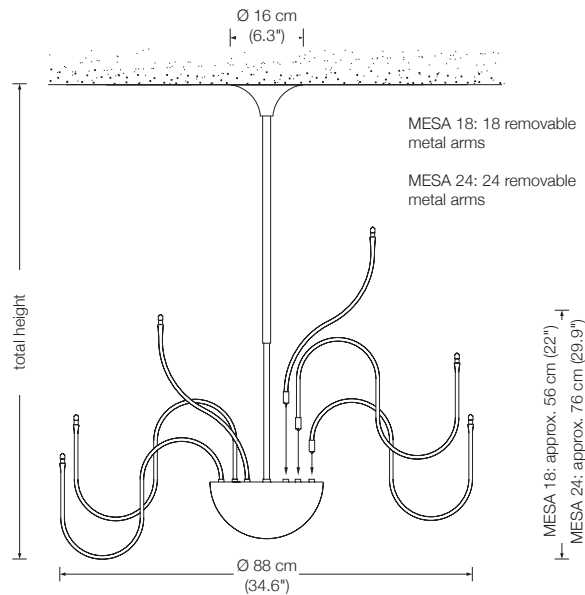
total height 115 – 185 cm (45.3" – 72.8")

total height 175 – 305 cm (68.9" – 120.1")

Other options available on request.

Please indicate with order.

** These lamps are equipped with 2 electronic transformers of 210 VA capacity each.



MESA 24

chandelier

24 removable metal arms

total height: min. 95 (37.4") - max. 315 cm (53.1") *

Ø: 140 cm (55.1")

lampholder: 24 x G4, max. 24 x 20 W / 12 V

bulb: 28 x OSRAM HALOSTAR 20 W

dimmer: brightness control is possible **

MESA 24 – Ms Solid brass polished, lacquered

MESA 24 – Mt Solid brass matt brushed, lacquered

MESA 24 – Ni Solid brass, nickel-plated

MESA 24 – Nm Solid brass nickel-plated, matt brushed

MESA 24 – Cr Solid brass, chrome-plated

Energy class: C

4" junction box: covered

Additional USA 110 V conversion kit: **available on request**

* telescopic adjustment:

total height 95 – 135 cm (37.4" – 53.1") (standard)

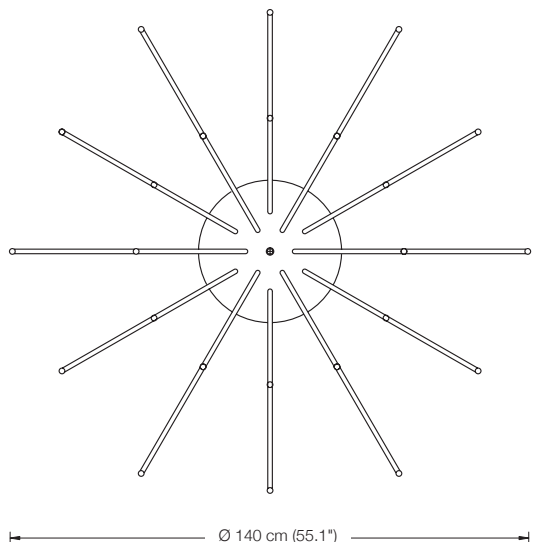
total height 125 – 195 cm (49.2" – 76.8")

total height 185 – 315 cm (72.8" – 124")

Other options available on request.

Please indicate with order.

** These lamps are equipped with 3 electronic transformers of 210 VA capacity each.





VAYO

floor lamp / reading lamp

| | |
|--------------------------|---|
| height: | 180 cm (70.9") |
| width reading lamp: | approx. 50 cm (19.7") |
| shade floor lamp: | glass white-opal, Ø 23 cm (9.1") |
| shade reading lamp: | TEFLON white Ø 7 cm (2.8") |
| lampholder floor lamp:: | E27, max. 250 W / 230 V |
| bulb floor lamp: | 1 x OS E27 Superstar, dimmable 2452 Lumen, 2700° K, 21 W $\hat{=}$ 150 W |
| lampholder reading lamp: | GY6.35, max. 50 W / 12 V |
| bulb reading lamp: | OSRAM HALOSTAR ECO 35 W $\hat{=}$ 50 W |
| electric wire: | 4 m (13.1 ft) |
| dimmer: | 2 x built in |

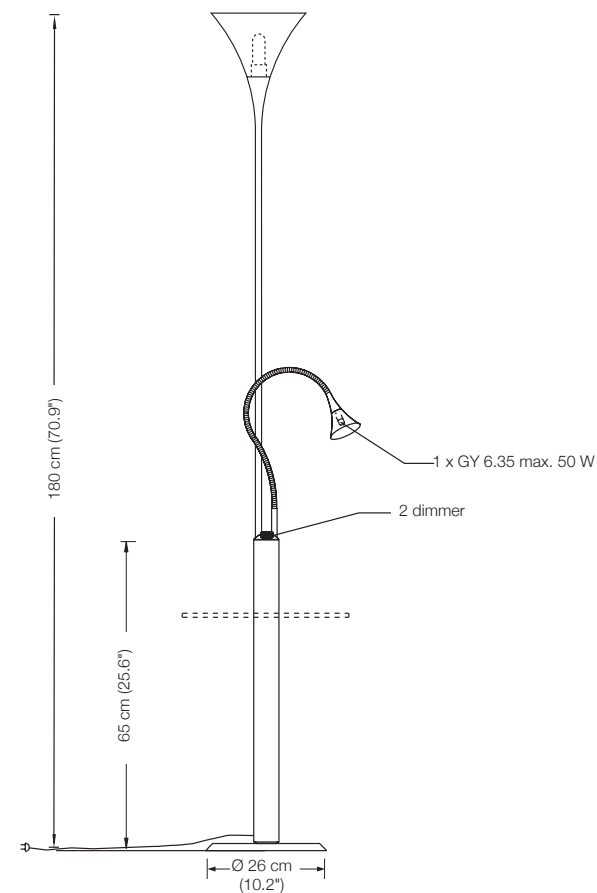
| | |
|-----------|---|
| VAYO – Ms | Solid brass polished, lacquered |
| VAYO – Mt | Solid brass matt brushed, lacquered |
| VAYO – Ni | Solid brass, nickel-plated |
| VAYO – Nm | Solid brass nickel-plated, matt brushed |
| VAYO – Cr | Solid brass, chrome-plated |

Optional: glass tabletop Ø 36 cm (14.2"), height 50 cm (19.7"), clear glass 10 mm (0.4")

Energy class floor lamp: A++ to E
(Depending on the used bulb.)

Energy class reading lamp: B

Additional USA 110 V conversion kit: available on request



OKON

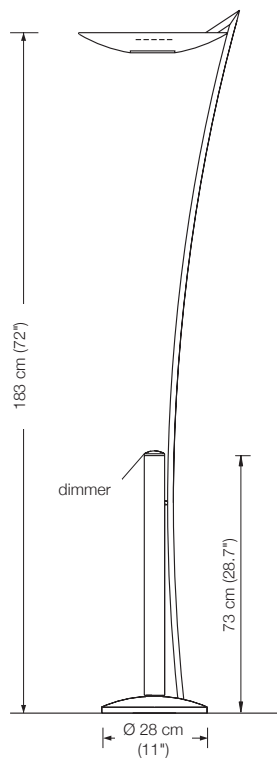
floor lamp

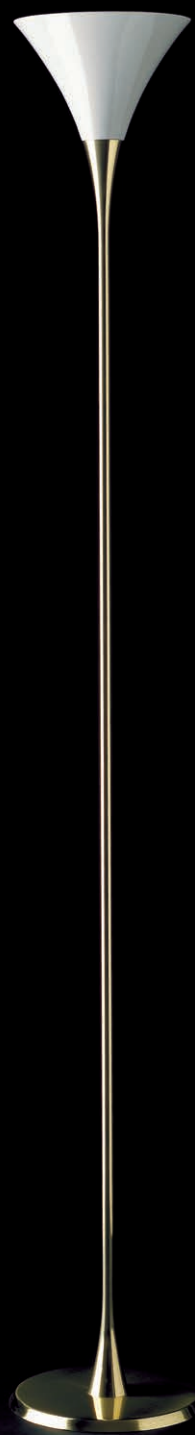
height: 183 cm (72")
shade: metal Ø 40 cm (15.7") bottom glass diffuser
lampholder: R7s, max. 500 W
bulb: OSRAM HALOLINE ECO 230 W
electric wire: 5 m (16.4 ft)
Dimmer: built in

OKON – Ms Solid brass polished, lacquered
OKON – Mt Solid brass matt brushed, lacquered
OKON – Ni Solid brass, nickel-plated
OKON – Nm Solid brass nickel-plated, matt brushed
OKON – Cr Solid brass, chrome-plated

Energy class: D

Additional USA 110 V conversion kit: **available on request**
110 V bulbs are not included





LONEA

floor lamp

height: 180 cm (70.9")
shade: glass white-opal, Ø 23 cm (9.1")
lampholder:: E27, max. 250 W
bulb: 1 x OS E27 Superstar, dimmable
2452 Lumen, 2700° K, 21 W $\hat{=}$ 150 W
electric wire: 3 m (9.8 ft)
dimmer: on cord

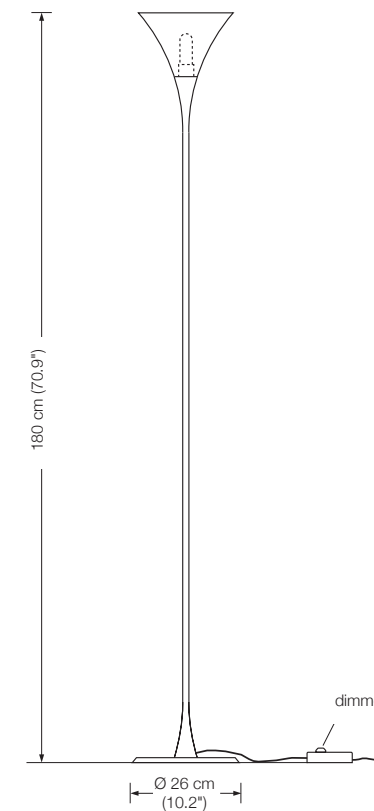
LONEA – Ms Solid brass polished, lacquered
LONEA – Mt Solid brass matt brushed, lacquered
LONEA – Ni Solid brass, nickel-plated
LONEA – Nm Solid brass nickel-plated, matt brushed
LONEA – Cr Solid brass, chrome-plated

Additional USA 110 V conversion kit: **available on request**
110 V bulbs are not included

Energy class floor lamp: A++ to E
(Depending on the used bulb.)



Ø 23 cm
(9.1")



LONEA SD

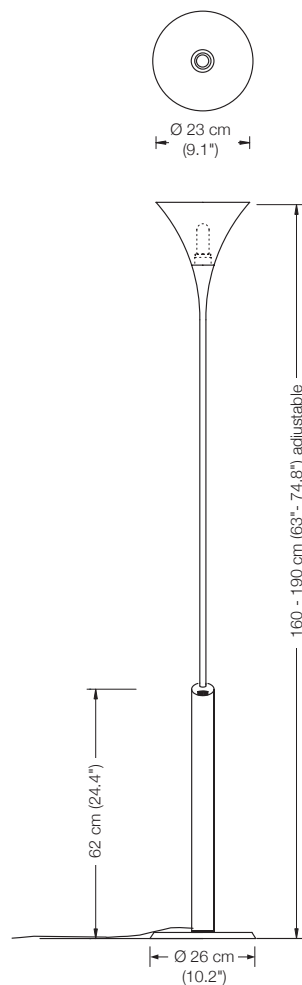
floor lamp

height: 160 - 190 cm (63" - 74.8") adjustable
shade: glass white-opal, Ø 23 cm (9.1")
lampholder:: E27, max. 250 W
bulb: 1 x OS E27 Superstar, dimmable
2452 Lumen, 2700° K, 21 W $\hat{=}$ 150 W
dimmer: built in

LONEA SD – Ms Solid brass polished, lacquered
LONEA SD – Mt Solid brass matt brushed, lacquered
LONEA SD – Ni Solid brass, nickel-plated
LONEA SD – Nm Solid brass nickel-plated, matt brushed
LONEA SD – Cr Solid brass, chrome-plated

Additional USA 110 V conversion kit: **available on request**
110 V bulbs are not included

Energy class floor lamp: A++ to E
(Depending on the used bulb.)





MYOS

floor lamp / reading lamp

| | |
|--------------------------|--|
| height: | 182 cm (71.7") |
| width reading lamp: | approx. 50 cm (19.7") |
| shade floor lamp: | glass white-opal, Ø 26 cm (10.2") |
| shade reading lamp: | metal Ø 12 cm (4.7"), adjustable |
| lampholder floor lamp: | E27, max. 250 W |
| bulb floor lamp: | 1 x OS E27 Superstar, dimmable 2452 Lumen, 2700° K, 21 W \triangleq 150 W |
| lampholder reading lamp: | GY6.35, max. 50 W / 12 V |
| bulb reading lamp: | OSRAM HALOSTAR ECO 35 W \triangleq 50 W |
| electric wire: | 4 m (13.1 ft) |
| dimmer: | 2 x built in |

| | |
|-----------|---|
| MYOS – Ms | Solid brass polished, lacquered |
| MYOS – Mt | Solid brass matt brushed, lacquered |
| MYOS – Ni | Solid brass, nickel-plated |
| MYOS – Nm | Solid brass nickel-plated, matt brushed |
| MYOS – Cr | Solid brass, chrome-plated |

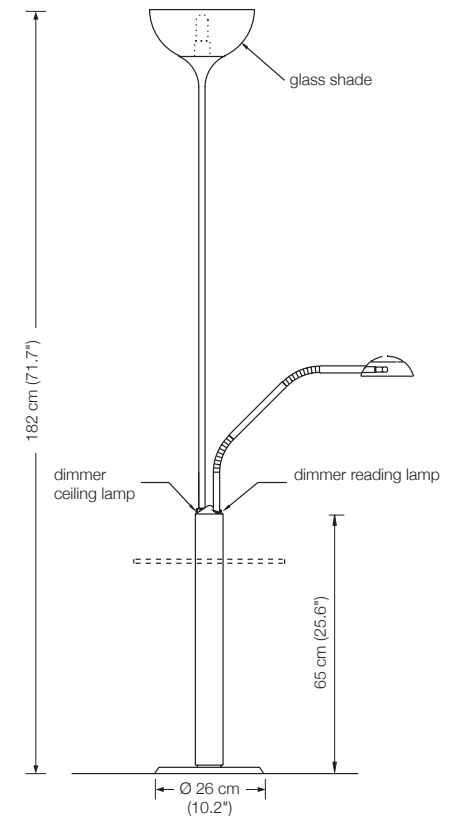
Optional:

glass tabletop Ø 36 cm (14.2"), height 50 cm (19.7"),
clear glass 10 mm (0.4")

Energy class floor lamp: A++ to E
(Depending on the used bulb.)

Energy class reading lamp: B

Additional USA 110 V conversion kit: available on request
110 V bulbs are not included



MYOS T 40

floor lamp / reading lamp

height: 182 cm (71.7")
width reading lamp: approx. 50 cm (19.7")
shade floor lamp: glass white-opal, Ø 40 cm (15.7")
shade reading lamp: metal Ø 12 cm (4.7"), adjustable
lampholder floor lamp: E27, max. 250 W
bulb floor lamp: 1 x OS E27 Parathom, dimmable
1080 Lumen, 2700° K, 11 W $\hat{=}$ 75 W
lampholder reading lamp: GY6.35, max. 50 W / 12 V
bulb reading lamp: OSRAM HALOSTAR ECO 35 W $\hat{=}$ 50 W
dimmer: 2 x built in

MYOS T 40 – Ms Solid brass polished, lacquered
MYOS T 40 – Mt Solid brass matt brushed, lacquered
MYOS T 40 – Ni Solid brass, nickel-plated
MYOS T 40 – Nm Solid brass nickel-plated, matt brushed
MYOS T 40 – Cr Solid brass, chrome-plated

Optional: glass tabletop Ø 36 cm (14.2"), height 50 cm (19.7"),
clear glass 10 mm (0.4")

MYOS T 55

floor lamp / reading lamp

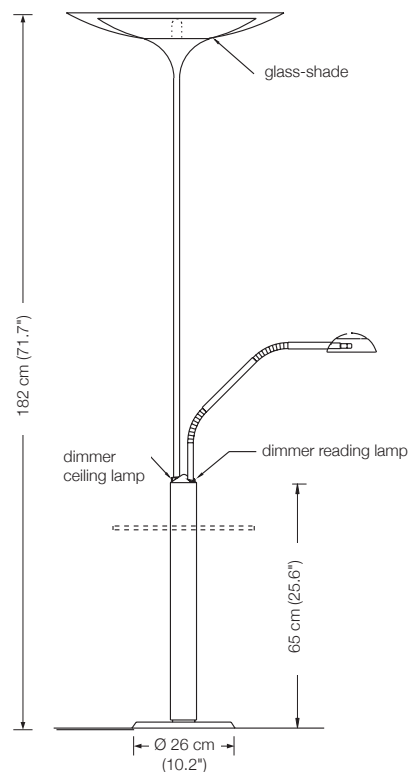
height: 182 cm (71.7")
width reading lamp: approx. 50 cm (19.7")
shade floor lamp: glass white-opal, Ø 55 cm (21.7")
shade reading lamp: metal Ø 12 cm (4.7"), adjustable
lampholder floor lamp: E27, max. 250 W
bulb floor lamp: 1 x OS E27 Parathom, dimmable
1080 Lumen, 2700° K, 11 W $\hat{=}$ 75 W incl.
lampholder reading lamp: GY6.35, max. 50 W / 12 V
bulb reading lamp: OSRAM HALOSTAR ECO 35 W $\hat{=}$ 50 W incl.
dimmer: 2 x built in

MYOS T 55 – Ms Solid brass polished, lacquered
MYOS T 55 – Mt Solid brass matt brushed, lacquered
MYOS T 55 – Ni Solid brass, nickel-plated
MYOS T 55 – Nm Solid brass nickel-plated, matt brushed
MYOS T 55 – Cr Solid brass, chrome-plated

Optional: glass tabletop Ø 36 cm (14.2"), height 50 cm (19.7"),
clear glass 10 mm (0.4")

Energy class floor lamp MYOS T 40 / 55: A++ bis E
(Depending on the used bulb.)

Energy class reading lamp MYOS T 40 / 55: B



Additional USA 110 V conversion kit
(MYOS / MYOS T): available on request
110 V bulbs are not included





TAOS 55
 floor lamp
 height: 160 - 210 cm (63" - 82.7") adjustable
 shade: glass white-opal Ø 55 cm (21.7")
 lampholder: E27, max. 250 W
 bulb: 1 x OS E27 Parathom, dimmable
 1080 Lumen, 2700° K, 11 W \triangleq 75 W
 electric wire: 3 m (9.8 ft)
 dimmer: on cord

TAOS 55 – Ms Solid brass polished, lacquered
 TAOS 55 – Mt Solid brass matt brushed, lacquered
 TAOS 55 – Ni Solid brass, nickel-plated
 TAOS 55 – Nm Solid brass nickel-plated, matt brushed
 TAOS 55 – Cr Solid brass, chrome-plated

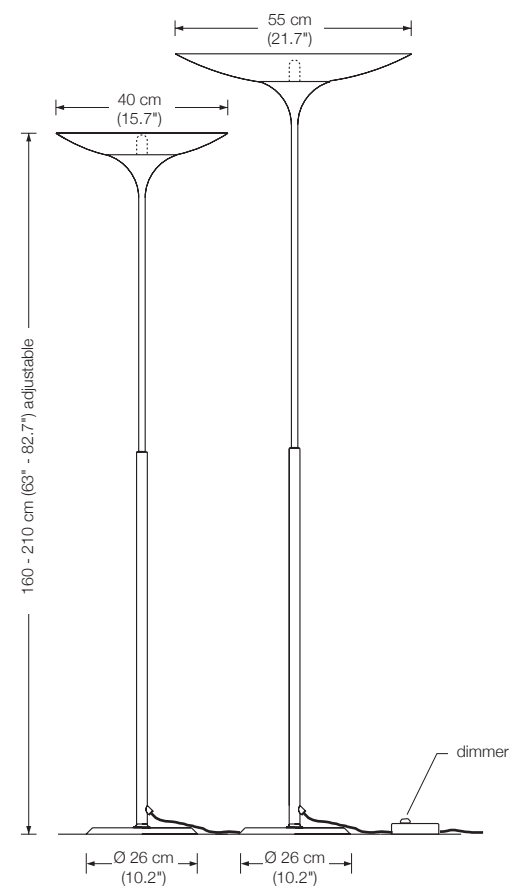
Additional USA 110 V conversion kit: **available on request**
 110 V bulbs are not included

TAOS 40
 floor lamp
 height: 160 - 210 cm (63" - 82.7") adjustable
 shade: glass white-opal Ø 40 cm (15.7")
 lampholder: E27, max. 250 W
 bulb: 1 x OS E27 Parathom, dimmable
 1080 Lumen, 2700° K, 11 W \triangleq 75 W
 electric wire: 3 m (9.8 ft)
 dimmer: on cord

TAOS 40 – Ms Solid brass polished, lacquered
 TAOS 40 – Mt Solid brass matt brushed, lacquered
 TAOS 40 – Ni Solid brass, nickel-plated
 TAOS 40 – Nm Solid brass nickel-plated, matt brushed
 TAOS 40 – Cr Solid brass, chrome-plated

Additional USA 110 V conversion kit: **available on request**
 110 V bulbs are not included

Energy class TAOS 55 / 40: A++ to E
 (Depending on the used bulb.)



TAOS 55 SD

floor lamp

height: 160 - 190 cm (63" - 74.8") adjustable

shade: glass white-opal Ø 55 cm (21.7")

lampholder: E27, max. 250 W

bulb: 1 x OS E27 Parathom, dimmable
1080 Lumen, 2700° K, 11 W \triangleq 75 W

electric wire: 3 m (9.8 ft)

dimmer: built in

TAOS 55 SD – Ms Solid brass polished, lacquered

TAOS 55 SD – Mt Solid brass matt brushed, lacquered

TAOS 55 SD – Ni Solid brass, nickel-plated

TAOS 55 SD – Nm Solid brass nickel-plated, matt brushed

TAOS 55 SD – Cr Solid brass, chrome-plated

Additional USA 110 V conversion kit: **available on request**

110 V bulbs are not included

TAOS 40 SD

floor lamp

height: 160 - 190 cm (63" - 74.8") adjustable

shade: glass white-opal Ø 40 cm (15.7")

lampholder: E27, max. 250 W

bulb: 1 x OS E27 Parathom, dimmable
1080 Lumen, 2700° K, 11 W \triangleq 75 W

electric wire: 3 m (9.8 ft)

dimmer: built in

TAOS 40 SD – Ms Solid brass polished, lacquered

TAOS 40 SD – Mt Solid brass matt brushed, lacquered

TAOS 40 SD – Ni Solid brass, nickel-plated

TAOS 40 SD – Nm Solid brass nickel-plated, matt brushed

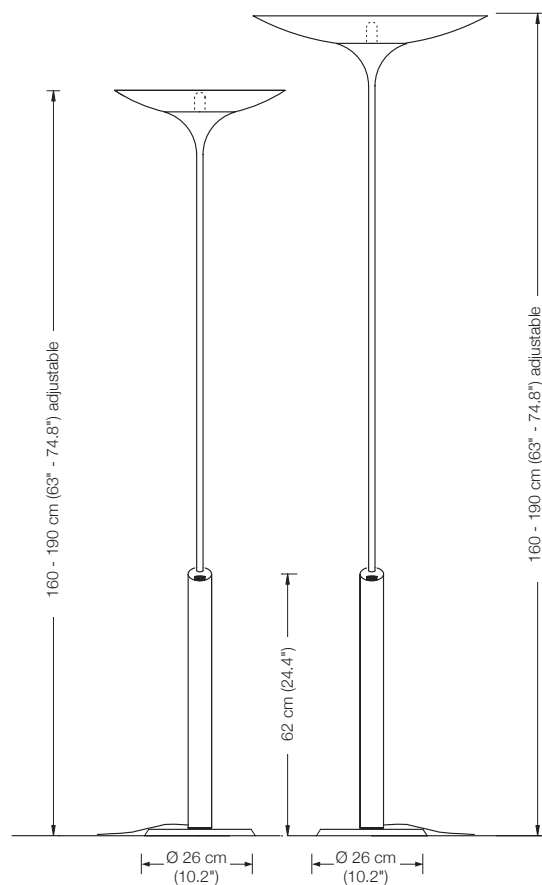
TAOS 40 SD – Cr Solid brass, chrome-plated

Additional USA 110 V conversion kit: **available on request**

110 V bulbs are not included

Energy class TAOS 55 SD / 40 SD: A++ to E

(Depending on the used bulb.)





UNA

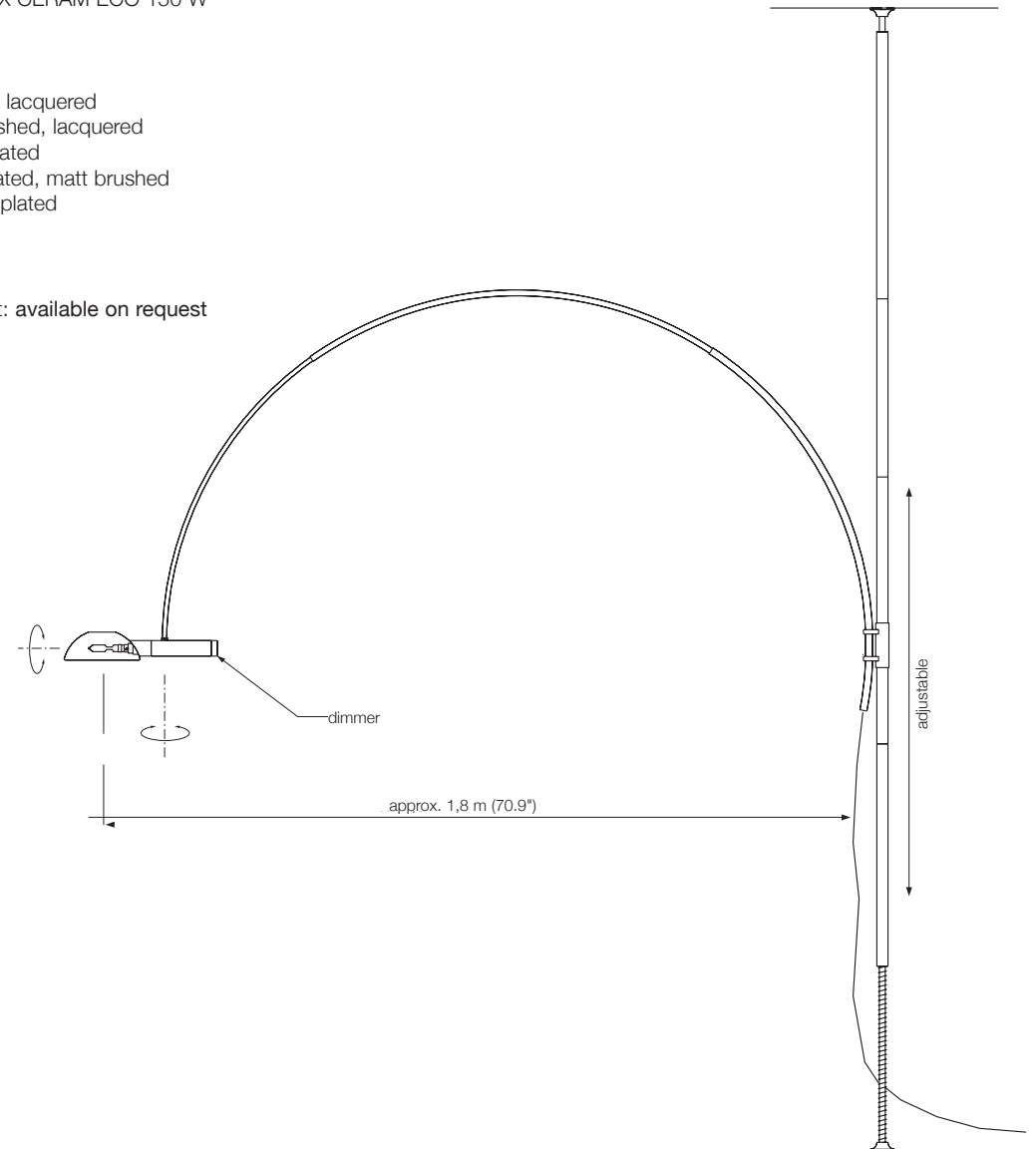
arc floor lamp
mounting between floor and ceiling
variable up to 3.20 m (126") room height
arc height adjustable

shade: metal, Ø 17 cm (6.7"), rotatable
lampholder: B15d, max. 250 W
bulb: OSRAM HALOLUX CERAM ECO 150 W
electric wire: 5 m (16.4 ft)
dimmer: built in

UNA – Ms Solid brass polished, lacquered
UNA – Mt Solid brass matt brushed, lacquered
UNA – Ni Solid brass, nickel-plated
UNA – Nm Solid brass nickel-plated, matt brushed
UNA – Cr Solid brass, chrome-plated

Energy class: D

Additional USA 110 V conversion kit: [available on request](#)



STE

floor reading lamp

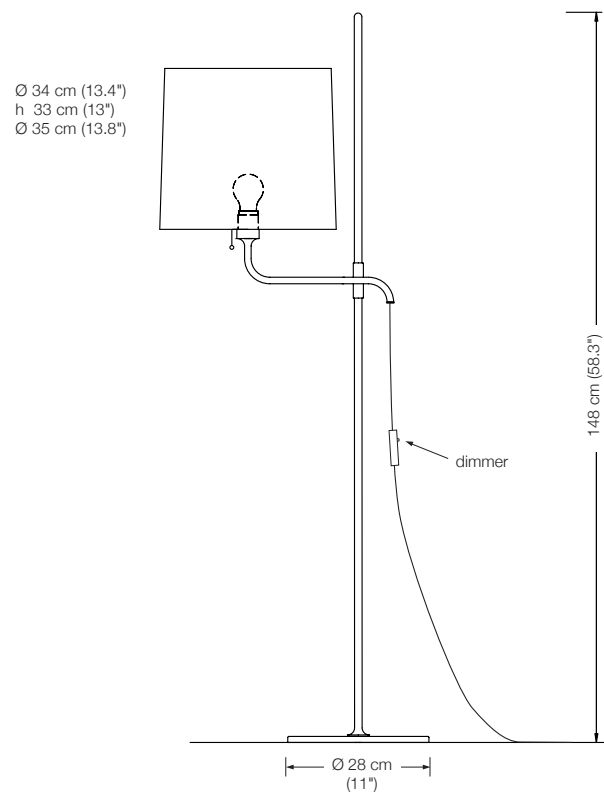
height: adjustable
shade: silk*
lampholder: E27, max. 250 W
bulb: 1 x OS E27 Parathom, dimmable
1080 Lumen, 2700° K, 11 W $\hat{=}$ 75 W
electric wire: 3 m (9.8 ft) textile cable black (standard)
dimmer: on cord

STE – Ms Solid brass polished, lacquered
STE – Mt Solid brass matt brushed, lacquered
STE – Ni Solid brass, nickel-plated
STE – Nm Solid brass nickel-plated, matt brushed
STE – Cr Solid brass, chrome-plated

Additional USA 110 V conversion kit: **available on request**

Energy class: A++ to E
(Depending on the used bulb.)

* fabric required: 120 x 60 cm (47.2" x 23.6")





DROP

floor reading lamp / piano light

height: adjustable from 80 – 135 cm (31.5" – 53.1")

width: 70 cm (27.6")

shade: Ø 3 cm (1.2"), approx. 34 cm (13.4") long, 180° rotatable

bulb: LED-Line TW (approx. 18,6 W) incl., exchangeable
approx. 1800 Lumen

color temperature: infinitely variable from 2700° – 5700° K

push button 1: tuning white

push button 2: on / off / dimming

colour rendering: > 92 Ra

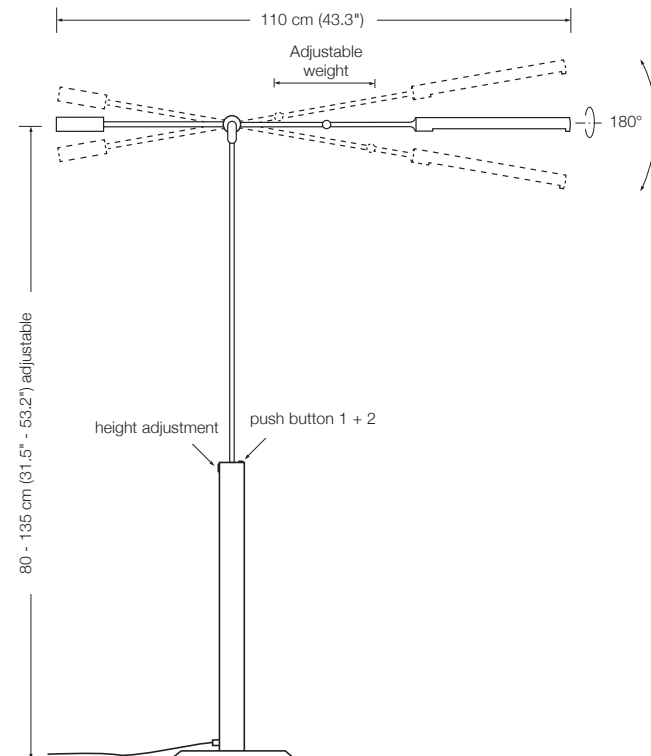
electric wire: 2,5 m (8.2 ft)

dimmer: built in

- DROP – Ms Solid brass polished, lacquered
- DROP – Mt Solid brass matt brushed, lacquered
- DROP – Ni Solid brass, nickel-plated
- DROP – Nm Solid brass nickel-plated, matt brushed
- DROP – Cr Solid brass, chrome-plated

US Plug Adapter: **available on request**

Energy class: A++ to A







PIN

floor reading lamp

height: 100 - 135 cm (39.4" - 53.2") adjustable
 width: approx. 52 cm (20.5")
 bulb: LED-Line 150 (approx. 6,4 Watt) incl.
 exchangeable
 approx. 650 Lumen
 color temperature: warmwhite 2700 Kelvin
 colour rendering: > 90 Ra
 electric wire: 3 m (9.8 ft)

PIN – Ms Solid brass polished, lacquered
 PIN – Mt Solid brass matt brushed, lacquered
 PIN – Ni Solid brass, nickel-plated
 PIN – Nm Solid brass nickel-plated, matt brushed
 PIN – Cr Solid brass, chrome-plated

Additional USA 110 V conversion kit: **available on request**

Energy class: A++ to A

PIN d

floor reading lamp

height: 105 - 140 cm (41.3" - 55.1") adjustable
 width: approx. 52 cm (20.5")
 bulb: LED-Line 150 (approx. 8,4 Watt) incl.
 exchangeable
 approx. 840 Lumen
 color temperature: warmwhite 2700 Kelvin
 colour rendering: > 90 Ra
 electric wire: 3 m (9.8 ft)
 dimmer: built in

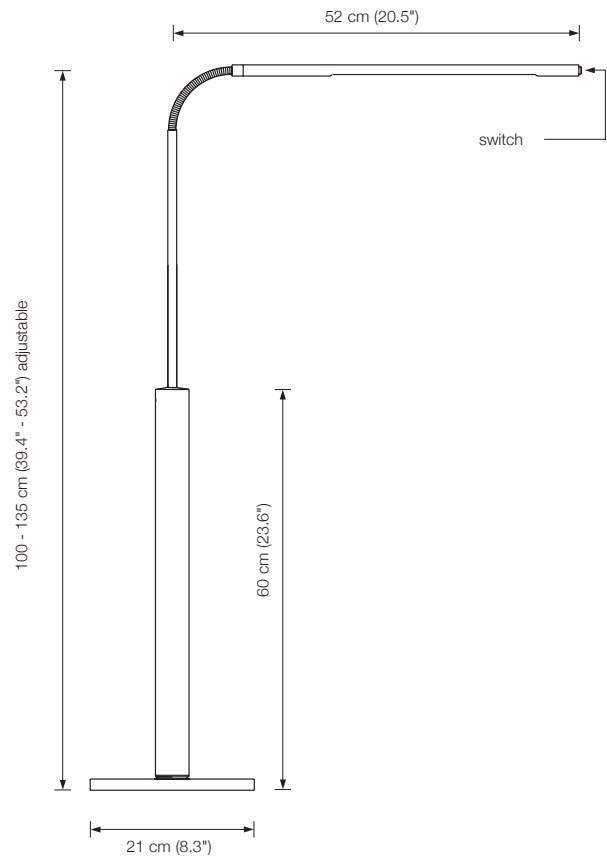
PIN d – Ms Solid brass polished, lacquered
 PIN d – Mt Solid brass matt brushed, lacquered
 PIN d – Ni Solid brass, nickel-plated
 PIN d – Nm Solid brass nickel-plated, matt brushed
 PIN d – Cr Solid brass, chrome-plated

Additional USA 110 V conversion kit: **available on request**

US Plug Adapter: **available on request**

Energy class: A++ to A







INAS

floor reading lamp

height: 132 - 170 cm (52" - 66.9") adjustable
 shade: silk, conical or straight*
 lampholder: E27, max. 250 W
 bulb: 1 x OS E27 Parathom, dimmable
 1080 Lumen, 2700° K, 11 W $\hat{=}$ 75 W
 electric wire: 4 m (13.1 ft)
 dimmer: on cord

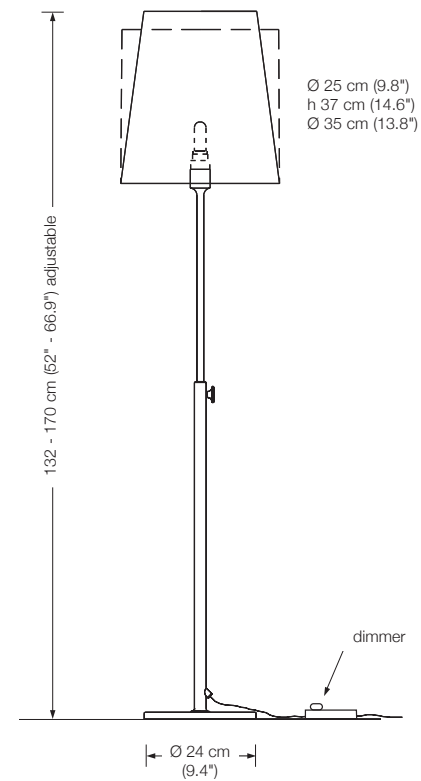
INAS – Ms Solid brass polished, lacquered
 INAS – Mt Solid brass matt brushed, lacquered
 INAS – Ni Solid brass, nickel-plated
 INAS – Nm Solid brass nickel-plated, matt brushed
 INAS – Cr Solid brass, chrome-plated

Energy class: A++ to E
 (Depending on the used bulb.)

Additional USA 110 V conversion kit: **available on request**
 110 V bulbs not incl.

* Please indicate with order.

fabric required: 120 x 60 cm (47.3" x 23.6")



INAS SD

floor reading lamp

height: 155 - 185 cm (61" - 72.8") adjustable
shade: silk, conical or straight*
lampholder: E27, max. 250 W
bulb: 1 x OS E27 Parathom, dimmable
1080 Lumen, 2700° K, 11 W $\hat{=}$ 75 W
electric wire: 4 m (13.1 ft)
dimmer: built in

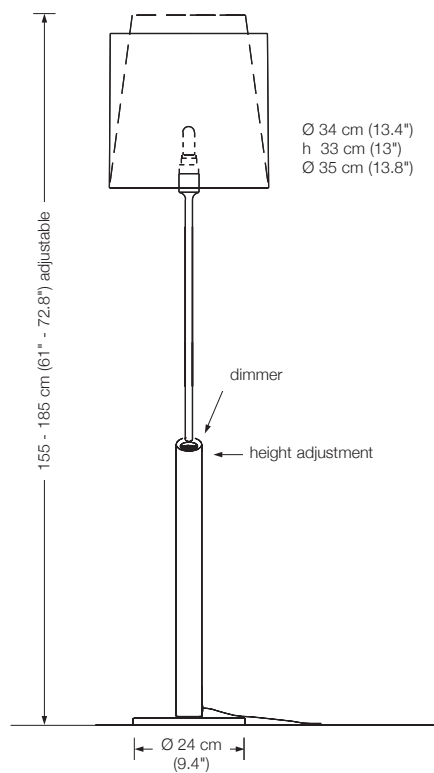
INAS SD – Ms Solid brass polished, lacquered
INAS SD – Mt Solid brass matt brushed, lacquered
INAS SD – Ni Solid brass, nickel-plated
INAS SD – Nm Solid brass nickel-plated, matt brushed
INAS SD – Cr Solid brass, chrome-plated

Energy class: A++ to E
(Depending on the used bulb.)

Additional USA 110 V conversion kit: **available on request**
110 V bulbs not incl.

* Please indicate with order.

fabric required: 120 x 60 cm (47.3" x 23.6")





YON

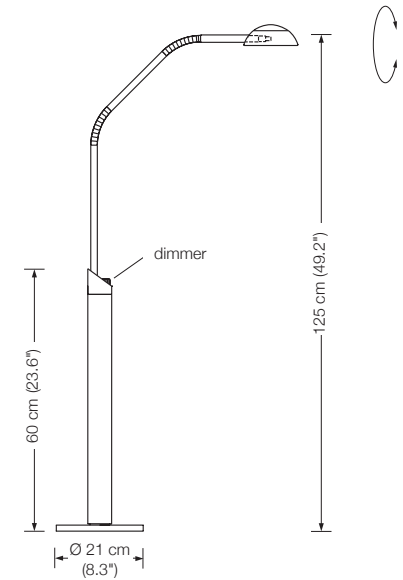
floor reading lamp

height: adjustable
 shade: metal Ø 12 cm (4.7"), rotatable
 lampholder: GY6.35, max. 50 W / 12 V
 bulb: OSRAM HALOSTAR ECO 35 W \triangleq 50 W
 electric wire: 4 m (13.1 ft)
 dimmer: on cord

YON – Ms Solid brass polished, lacquered
 YON – Mt Solid brass matt brushed, lacquered
 YON – Ni Solid brass, nickel-plated
 YON – Nm Solid brass nickel-plated, matt brushed
 YON – Cr Solid brass, chrome-plated

Energy class: B

Additional USA 110 V conversion kit: **available on request**



YON G

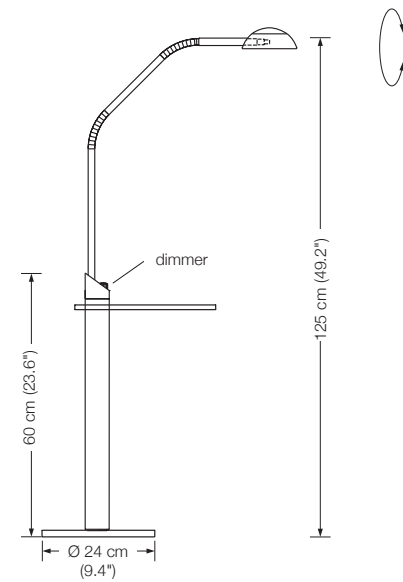
floor reading lamp

with glass tabletop Ø 30 cm (11.8"), clear glass
 height: adjustable
 shade: metal Ø 12 cm (4.7"), rotatable
 lampholder: GY6.35, max. 50 W / 12 V
 bulb: OSRAM HALOSTAR ECO 35 W \triangleq 50 W
 electric wire: 4 m (13.1 ft)
 dimmer: on cord

YON G – Ms Solid brass polished, lacquered
 YON G – Mt Solid brass matt brushed, lacquered
 YON G – Ni Solid brass, nickel-plated
 YON G – Nm Solid brass nickel-plated, matt brushed
 YON G – Cr Solid brass, chrome-plated

Energy class: B

Additional USA 110 V conversion kit: **available on request**







CERVANTES

floor reading lamp

height: 80 - 120 cm (31.5" - 47.2") adjustable

shade: metal, rotatable

lampholder: E27, max. 100 W

bulb: 1 x OS E27 Parathom, dimmable
1080 Lumen, 2700° K, 11 W $\hat{=}$ 75 W

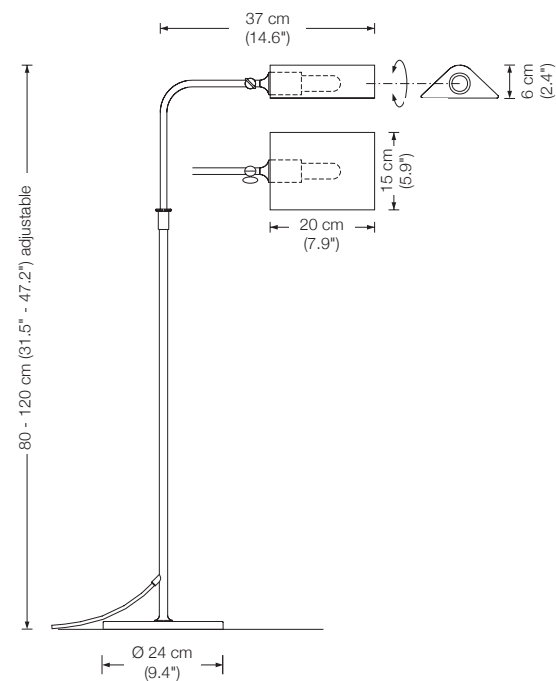
electric wire: 4 m (13.1 ft)

dimmer: on cord

| | |
|----------------|---|
| CERVANTES – Ms | Solid brass polished, lacquered |
| CERVANTES – Mt | Solid brass matt brushed, lacquered |
| CERVANTES – Ni | Solid brass, nickel-plated |
| CERVANTES – Nm | Solid brass nickel-plated, matt brushed |
| CERVANTES – Cr | Solid brass, chrome-plated |

Additional USA 110 V conversion kit: **available on request**
110 V bulbs not incl.

Energy class: A++ to E
(Depending on the used bulb.)





LESAN M

floor reading lamp

height: 90 - 135 cm (35.4" - 53.1") adjustable
 shade: metal Ø 28 cm (11")
 lampholder: E27, max. 100 W
 bulb: 1 x OS E27 Parathom, dimmable
 1080 Lumen, 2700° K, 11 W $\hat{=}$ 75 W
 electric wire: 3 m (9.8 ft)
 dimmer: on cord

LESAN M – Ms Solid brass polished, lacquered
 LESAN M – Mt Solid brass matt brushed, lacquered
 LESAN M – Ni Solid brass, nickel-plated
 LESAN M – Nm Solid brass nickel-plated, matt brushed
 LESAN M – Cr Solid brass, chrome-plated

Energy class: A++ to E
 (Depending on the used bulb.)

Additional USA 110 V conversion kit: **available on request**
 110 V bulbs not incl.

LESAN S

floor reading lamp

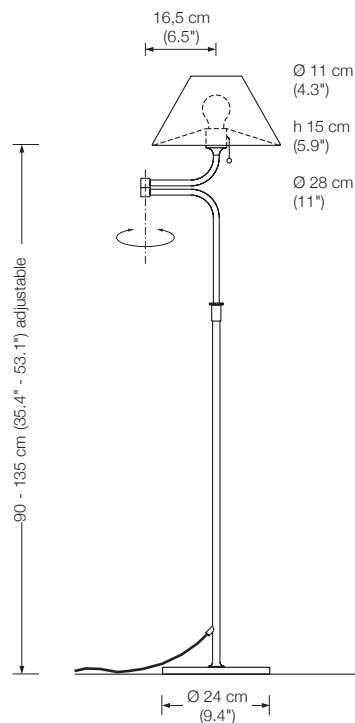
height: 90 - 135 cm (35.4" - 53.1") adjustable
 shade: silk* Ø 28 cm (11")
 lampholder: E27, max. 100 W
 bulb: 1 x OS E27 Parathom, dimmable
 1080 Lumen, 2700° K, 11 W $\hat{=}$ 75 W
 electric wire: 3 m (9.8 ft)
 dimmer: on cord

LESAN S – Ms Solid brass polished, lacquered
 LESAN S – Mt Solid brass matt brushed, lacquered
 LESAN S – Ni Solid brass, nickel-plated
 LESAN S – Nm Solid brass nickel-plated, matt brushed
 LESAN S – Cr Solid brass, chrome-plated

Energy class: A++ to E
 (Depending on the used bulb.)

Additional USA 110 V conversion kit: **available on request**
 110 V bulbs not incl.

* fabric required: 50 x 80 cm (19.7" x 31.5")





TOPAN

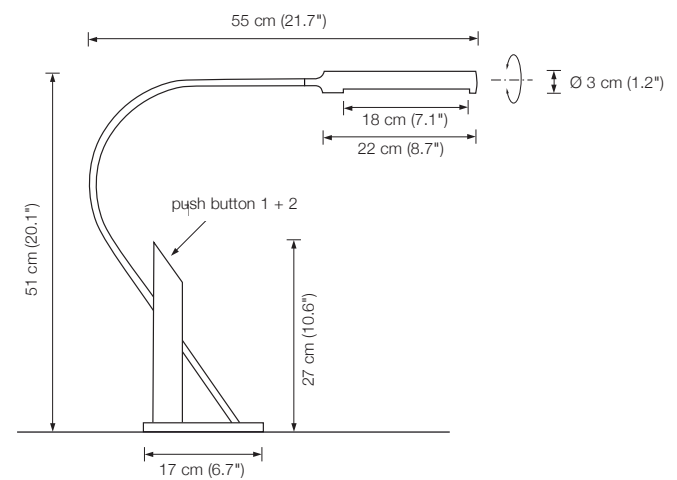
table lamp

height: 51 cm (20.1")
 width: 55 cm (21.7")
 shade: Ø 3 cm (1.2"), approx. 23 cm (9.1") long, 180° rotatable
 bulb: LED-Line TW (approx. 12,5 W) incl., exchangeable
 approx. 1330 Lumen
 color temperature: infinitely variable from 2700° – 5700° K
 push button 1: tuning white
 push button 2: on / off / dimming
 colour rendering: > 92 Ra
 electric wire: 2,5 m (8.2 ft)
 dimmer: built in

TOPAN – Ms Solid brass polished, lacquered
 TOPAN – Mt Solid brass matt brushed, lacquered
 TOPAN – Ni Solid brass, nickel-plated
 TOPAN – Nm Solid brass nickel-plated, matt brushed
 TOPAN – Cr Solid brass, chrome-plated

US Plug Adapter: available on request

Energy class: A++ to A



TOLED

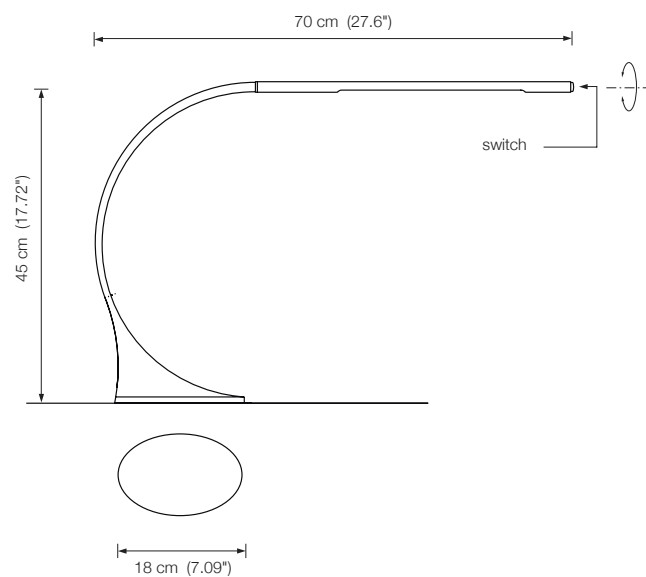
desk lamp

height: 45 cm (17.7")
width: 70 cm (27.6")
shade: rotatable
bulb: LED-Line 150 (approx. 6 Watt) incl.
exchangeable
approx. 600 Lumen
color temperature: warmwhite 2700 Kelvin
colour rendering: > 90 Ra
electric wire: 2,5 m (8.2 ft)

TOLED – Ms Solid brass polished, lacquered
TOLED – Mt Solid brass matt brushed, lacquered
TOLED – Ni Solid brass, nickel-plated
TOLED – Nm Solid brass nickel-plated, matt brushed
TOLED – Cr Solid brass, chrome-plated

Energy class: A++ to A

Additional USA 110 V conversion kit: **available on request**





PIN T

desk lamp

height: 45 cm (17.7")

width: 70 cm (27.6")

shade: rotatable

bulb: LED-Line 150 (approx. 6 Watt) incl.
exchangeable
approx. 600 Lumen

color temperature: warmwhite 2700 Kelvin

colour rendering: > 90 Ra

electric wire: 3 m (9.8 ft)

PIN T – Ms Solid brass polished, lacquered

PIN T – Mt Solid brass matt brushed, lacquered

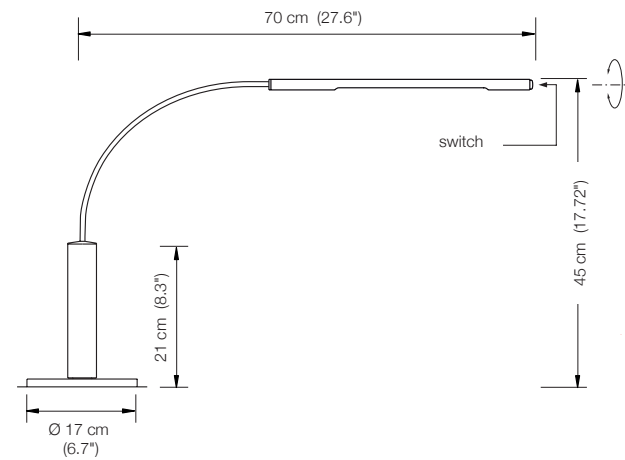
PIN T – Ni Solid brass, nickel-plated

PIN T – Nm Solid brass nickel-plated, matt brushed

PIN T – Cr Solid brass, chrome-plated

Energy class: A++ to A

Additional USA 110 V conversion kit: **available on request**



YON T

table lamp

shade: metal Ø 12 cm (4.7"), adjustable

lampholder: GY 6.35, max. 50 W / 12 V

bulb: OSRAM HALOSTAR ECO 35 W $\hat{=}$ 50 W

electric wire: 2,5 m (8.2 ft)

dimmer: built in

YON T – Ms Solid brass polished, lacquered

YON T – Mt Solid brass matt brushed, lacquered

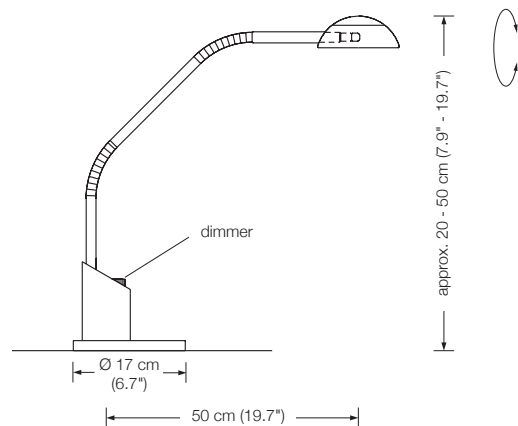
YON T – Ni Solid brass, nickel-plated

YON T – Nm Solid brass nickel-plated, matt brushed

YON T – Cr Solid brass, chrome-plated

Energy class: B

Additional USA 110 V conversion kit: available on request





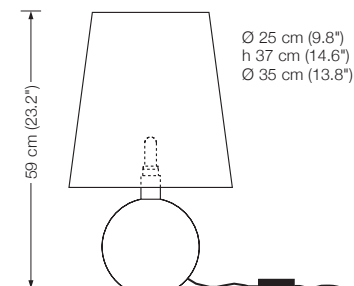
ORA 20

table lamp
 metal ball Ø 20 cm (7.9")
 height: 59 cm (23.2")
 shade: silk*
 lampholder: E27, max. 150 W
 bulb: 1 x OS E27 Parathom, dimmable
 1080 Lumen, 2700° K, 11 W $\hat{=}$ 75 W
 electric wire: 3 m (9.8 ft)
 dimmer: on cord

ORA 20 – Ms Solid brass polished, lacquered
 ORA 20 – Mt Solid brass matt brushed, lacquered
 ORA 20 – Ni Solid brass, nickel-plated
 ORA 20 – Nm Solid brass nickel-plated, matt brushed
 ORA 20 – Cr Solid brass, chrome-plated

Additional USA 110 V conversion kit: **available on request**
 110 V bulbs not included

* fabric required: 120 x 60 cm (47.2" x 23.6")



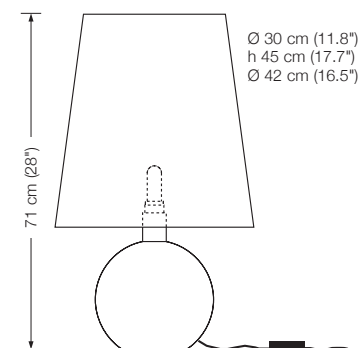
ORA 25

table lamp
 metal ball Ø 25 cm (9.8")
 height: 71 cm (28")
 shade: silk*
 lampholder: E27, max. 150 W
 bulb: 1 x OS E27 Parathom, dimmable
 1080 Lumen, 2700° K, 11 W $\hat{=}$ 75 W
 electric wire: 3 m (9.8 ft)
 dimmer: on cord

ORA 25 – Ms Solid brass polished, lacquered
 ORA 25 – Mt Solid brass matt brushed, lacquered
 ORA 25 – Ni Solid brass, nickel-plated
 ORA 25 – Nm Solid brass nickel-plated, matt brushed
 ORA 25 – Cr Solid brass, chrome-plated

Additional USA 110 V conversion kit: **available on request**
 110 V bulbs not included

* fabric required: 140 x 70 cm (55.1" x 27.6")



Energy class ORA 20 / 25: A++ to E
 (Depending on the used bulb.)

ELAS

table lamp

height: 50 - 70 cm (19.7" - 27.6") adjustable
shade: metal Ø 28 cm (11")
lampholder: E27, max. 100 W
bulb: 1 x OS E27 Parathom, dimmable
1080 Lumen, 2700° K, 11 W $\hat{=}$ 75 W
electric wire: 2,5 m (8.2 ft)
dimmer: on cord

ELAS – Ms Solid brass polished, lacquered
ELAS – Mt Solid brass matt brushed, lacquered
ELAS – Ni Solid brass, nickel-plated
ELAS – Nm Solid brass nickel-plated, matt brushed
ELAS – Cr Solid brass, chrome-plated

Energy class: A++ to E
(Depending on the used bulb.)

Additional USA 110 V conversion ki: **available on request**
110 V bulbs not included

ELAS S

table lamp

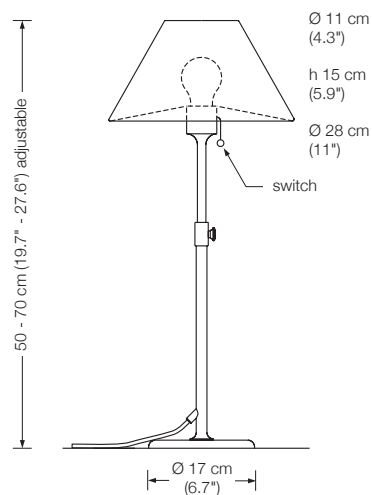
height: 50 - 70 cm (19.7" - 27.6") adjustable
shade: silk* Ø 28 cm (11")
lampholder: E27, max. 100 W
bulb: 1 x OS E27 Parathom, dimmable
1080 Lumen, 2700° K, 11 W $\hat{=}$ 75 W
electric wire: 2,5 m (8.2 ft)
dimmer: on cord

ELAS S – Ms Solid brass polished, lacquered
ELAS S – Mt Solid brass matt brushed, lacquered
ELAS S – Ni Solid brass, nickel-plated
ELAS S – Nm Solid brass nickel-plated, matt brushed
ELAS S – Cr Solid brass, chrome-plated

Energy class: A++ to E
(Depending on the used bulb.)

Additional USA 110 V conversion kit: **available on request**
110 V bulbs not included

* fabric required: 50 x 80 cm (19.7" x 31.5")





TOA

table lamp

flexible and specially reinforced metal arm

height: up to max. 50 cm (19.7")

shade: TEFLON white, Ø 7 cm (2.8")

lampholder: GY6.35, max. 20 W / 12 V

Leuchtmittel: OSRAM HALOSTAR ECO 35 W \triangleq 50 W

electric wire: 2,5 m (8.2 ft)

dimmer: built in

TOA – Ms Solid brass polished, lacquered

TOA – Mt Solid brass matt brushed, lacquered

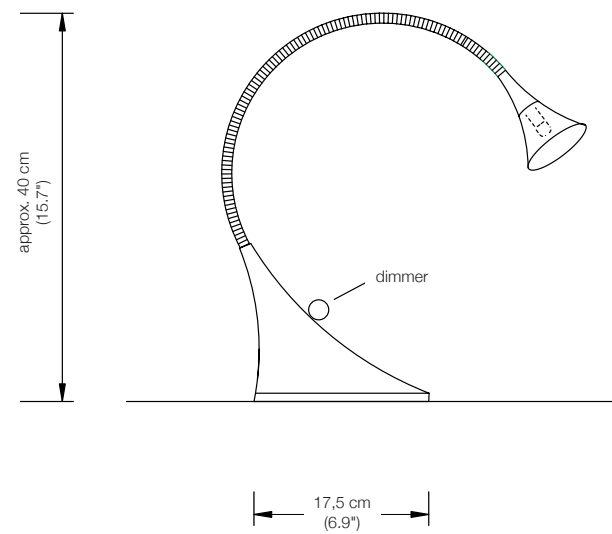
TOA – Ni Solid brass, nickel-plated

TOA – Nm Solid brass nickel-plated, matt brushed

TOA – Cr Solid brass, chrome-plated

Energy class: B

Additional USA 110 V conversion kit: **available on request**



ESA

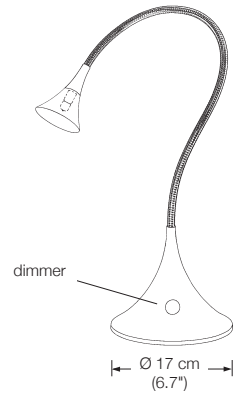
table lamp
flexible and specially reinforced metal arm

height: up to 50 cm (19.7")
shade: TEFLON white, Ø 7 cm (2.8")
lampholder: GY 6.35, max. 20 W
bulb: OSRAM HALOSTAR IRC 20 W
electric wire: 2,5 m (8.2 ft)
dimmer: built in

ESA – Ms Solid brass polished, lacquered
ESA – Mt Solid brass matt brushed, lacquered
ESA – Ni Solid brass, nickel-plated
ESA – Nm Solid brass nickel-plated, matt brushed
ESA – Cr Solid brass, chrome-plated

Energy class: C

Additional USA 110 V conversion kit: available on request





PIN W dim

wall lamp

height: 48 cm (18.9")

width: 65 cm (25.6")

bulb: LED-Line 150 (approx. 8,4 Watt) incl.
exchangeable
approx. 840 Lumen

color temperature: warmwhite 2700 Kelvin

colour rendering: > 90 Ra

dimmer: built in

PIN W dim – Ms Solid brass polished, lacquered

PIN W dim – Mt Solid brass matt brushed, lacquered

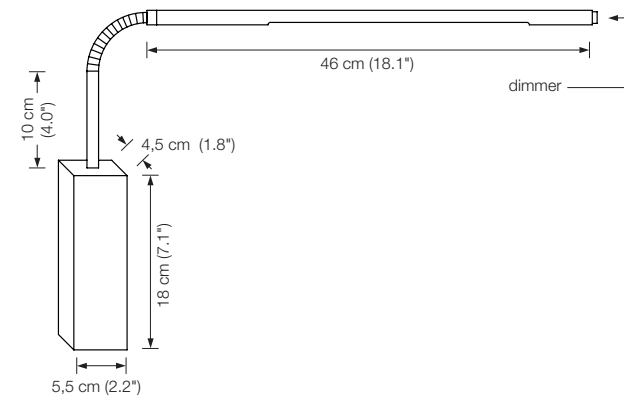
PIN W dim – Ni Solid brass, nickel-plated

PIN W dim – Nm Solid brass nickel-plated, matt brushed

PIN W dim – Cr Solid brass, chrome-plated

Energy class: A++ to A

Additional USA 110 V conversion kit: **available on request**



WED

wall lamp

width: 40 cm (15.7")

lampholder: GU5.3

bulb: Philips MASTER LEDspot 8 - 50 W incl.

MR16 830 36° DIM

approx. 660 Lumen

color temperature: warmwhite 2700 Kelvin

colour rendering: > 82 Ra

WED – Ms Solid brass polished, lacquered

WED – Mt Solid brass matt brushed, lacquered

WED – Ni Solid brass, nickel-plated

WED – Nm Solid brass nickel-plated, matt brushed

WED – Cr Solid brass, chrome-plated

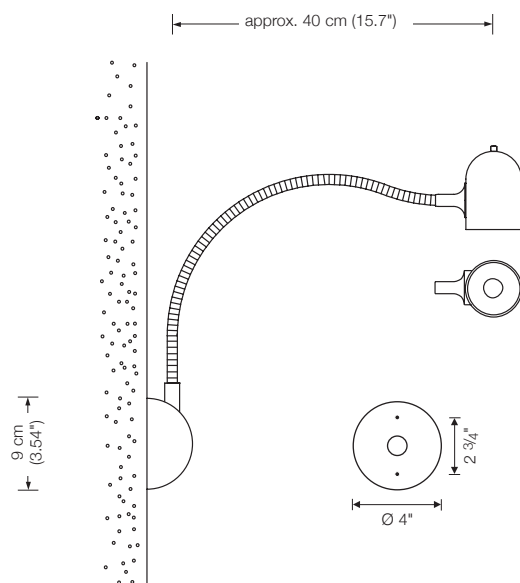
Energy class: A++ to A

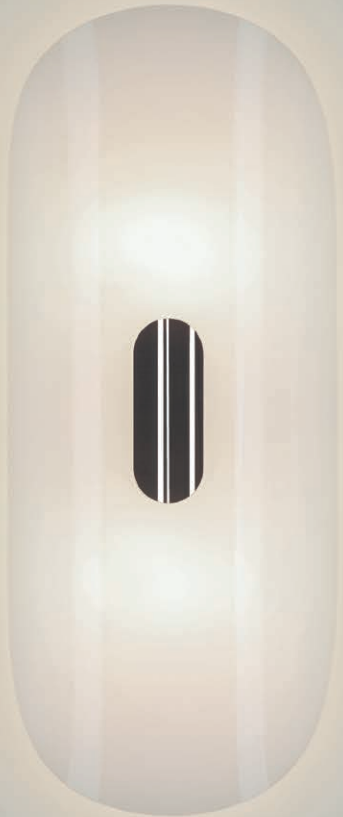
Replacement bulbs can be ordered through VS Manufaktur.

4" junction box: not covered

Backplate Ø 12 cm (4.72") (please indicate with order)

Additional USA 110 V conversion kit: **available on request**





GEA

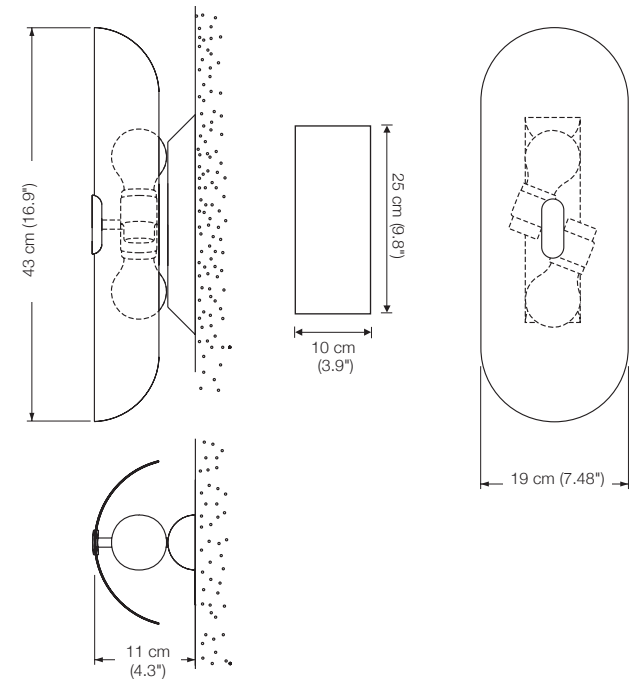
wall lamp
 height: 43 cm (16.9")
 shade: glass white-opal
 lampholder: 2 x E27, max. 2 x 100 W
 bulb: 2 x OS E27 Parathom, dimmable
 à 1080 Lumen, 2700° K, 11 W \triangleq 75 W

GEA – Ms Solid brass polished, lacquered
 GEA – Mt Solid brass matt brushed, lacquered
 GEA – Ni Solid brass, nickel-plated
 GEA – Nm Solid brass nickel-plated, matt brushed
 GEA – Cr Solid brass, chrome-plated

Energy class: A++ to E
 (Depending on the used bulb.)

4" junction box: not covered
 Backplate rectangular 25 x 10 cm (9.8" x 3.9", standard)
 or 25 x 12 cm (9.8" x 4.7", please indicate with order)

Additional USA 110 V conversion kit: **available on request**
 110 V bulbs not included



ALIA

wall lamp
indirect light

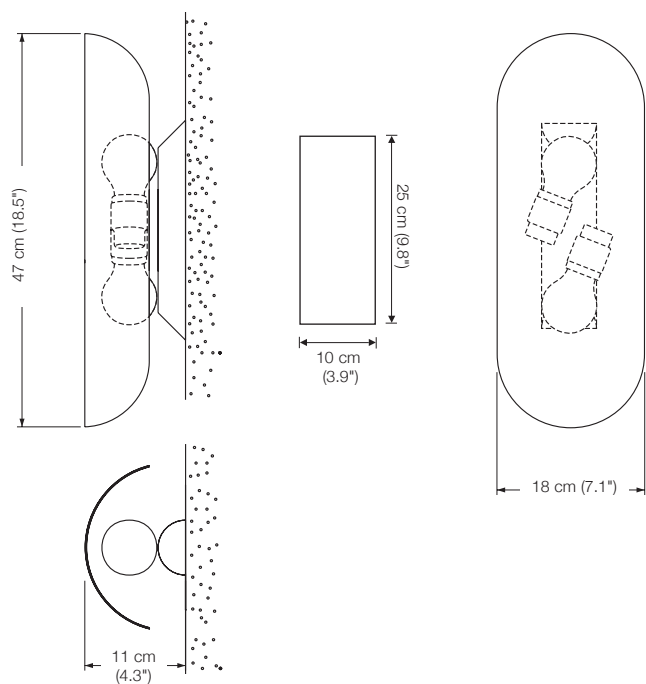
height: 47 cm (18.5")
shade: metal
lampholder: 2 x E27, max. 2 x 100 W
bulb: 2 x OS E27 Parathom, dimmable
à 1080 Lumen, 2700° K, 11 W $\hat{=}$ 75 W

ALIA – Ms Solid brass polished, lacquered
ALIA – Mt Solid brass matt brushed, lacquered
ALIA – Ni Solid brass, nickel-plated
ALIA – Nm Solid brass nickel-plated, matt brushed
ALIA – Cr Solid brass, chrome-plated

Energy class: A++ to E
(Depending on the used bulb.)

4" junction box: not covered
Backplate rectangular 25 x 10 cm (9.8" x 3.9", standard)
or 25 x 12 cm (9.8" x 4.7", please indicate with order)

Additional USA 110 V conversion kit: **available on request**
110 V bulbs not included





BEO

wall and stairway lamp

direct and indirect light

glass diffuser top and bottom

width: 36 cm (14.2")

lampholder: 2 x E27, max. 2 x 100 W

bulb: 2 x OS E27 Parathom, dimmable
à 1080 Lumen, 2700° K, 11 W $\hat{=}$ 75 W

BEO – Ms Solid brass polished, lacquered

BEO – Mt Solid brass matt brushed, lacquered

BEO – Ni Solid brass, nickel-plated

BEO – Nm Solid brass nickel-plated, matt brushed

BEO – Cr Solid brass, chrome-plated

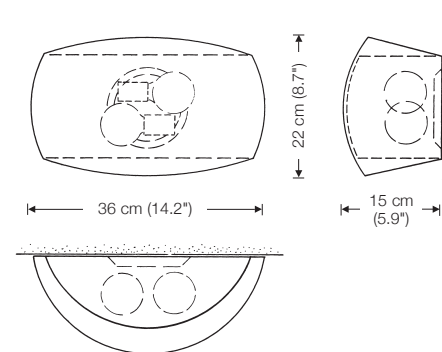
Energy class: A++ to E

(Depending on the used bulb.)

4" junction box: covered

Additional USA 110 V conversion kit: **available on request**

110 V bulbs not included



ERA 33

wall lamp

width: 33 cm (13")
bottom glass diffuser
lampholder: 2 x G9, max. 2 x 75 W / 230 V
bulb: 2 x OSRAM HALOPIN ECO 60 W

ERA 33 – Ms Solid brass polished, lacquered
ERA 33 – Mt Solid brass matt brushed, lacquered
ERA 33 – Ni Solid brass, nickel-plated
ERA 33 – Nm Solid brass nickel-plated, matt brushed
ERA 33 – Cr Solid brass, chrome-plated

Optional: additional top glass diffuser
Please indicate with order

Energy class: D

4" junction box: not covered
Additional USA 110 V conversion kit: **available on request**
110 V bulbs not included

ERA 40

wall lamp

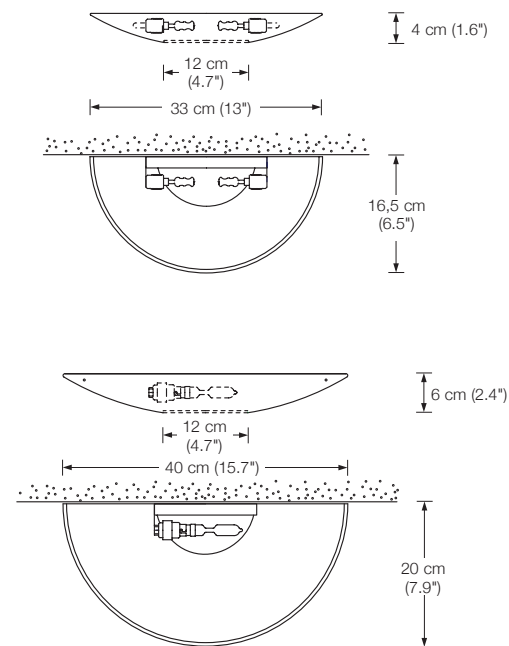
width: 40 cm (15.7")
bottom glass diffuser
lampholder: B15d, max. 150 W / 230 V
bulb: OSRAM HALOLUX CERAM ECO 100 W

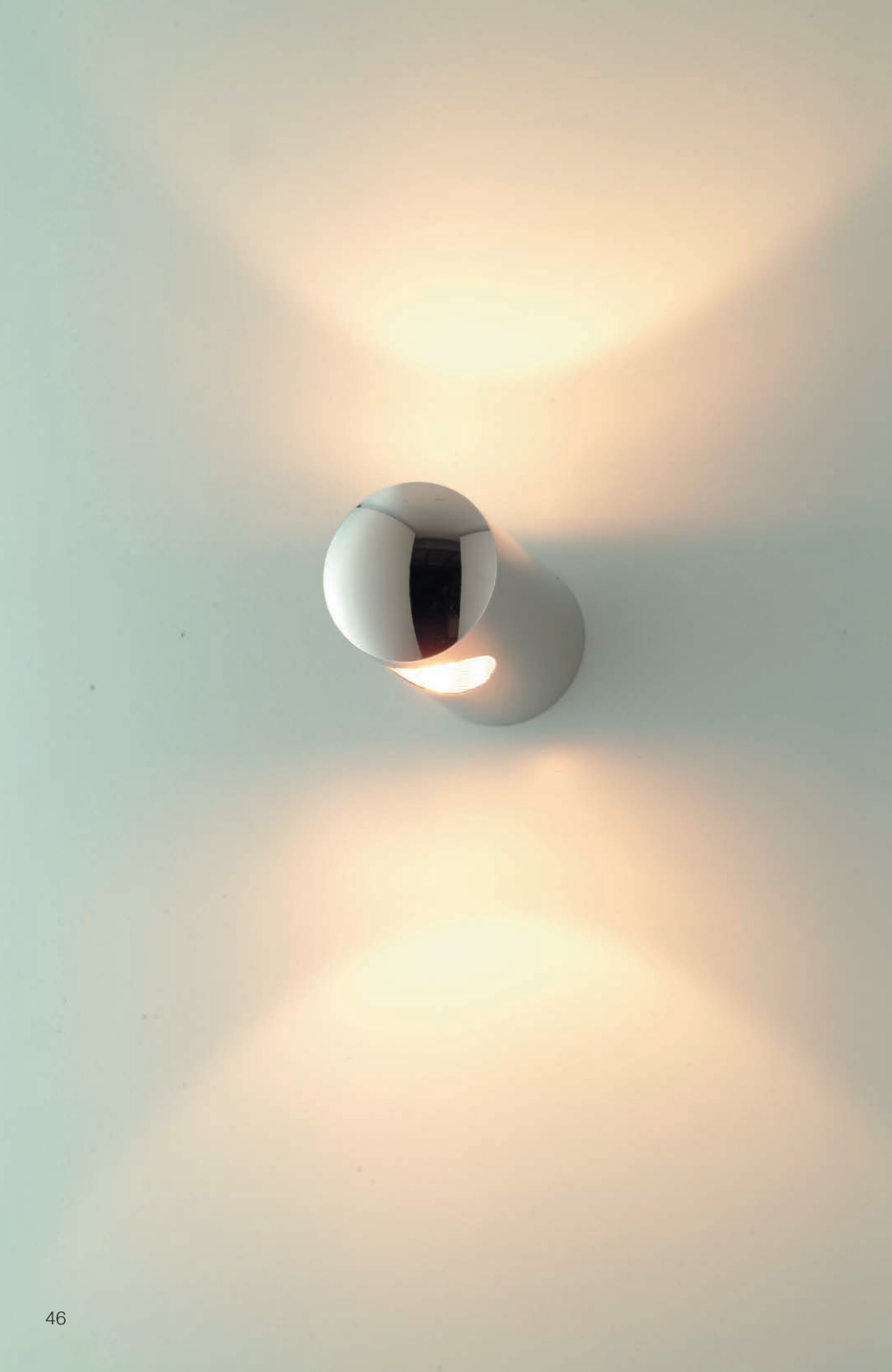
ERA 40 – Ms Solid brass polished, lacquered
ERA 40 – Mt Solid brass matt brushed, lacquered
ERA 40 – Ni Solid brass, nickel-plated
ERA 40 – Nm Solid brass nickel-plated, matt brushed
ERA 40 – Cr Solid brass, chrome-plated

Optional: additional top glass diffuser
Please indicate with order

Energy class: D

4" junction box: not covered
Additional USA 110 V conversion kit: **available on request**
110 V bulbs not included





CINA W

wall lamp

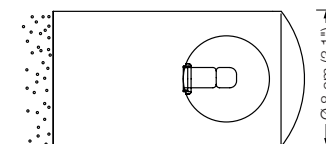
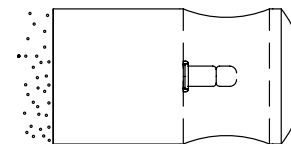
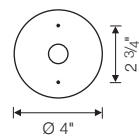
width: approx. 14 cm (5.5")
lampholder: G9, max 75 W
bulb: OSRAM HALOPIN ECO 33 W

CINA W – Ms Solid brass polished, lacquered
CINA W – Mt Solid brass matt brushed, lacquered
CINA W – Ni Solid brass, nickel-plated
CINA W – Nm Solid brass nickel-plated, matt brushed
CINA W – Cr Solid brass, chrome-plated

Energy class: D

Backplate Ø 12 cm (4.72") (please indicate with order)

Additional USA 110 V conversion kit: **available on request**
110 V bulbs not included



WIN

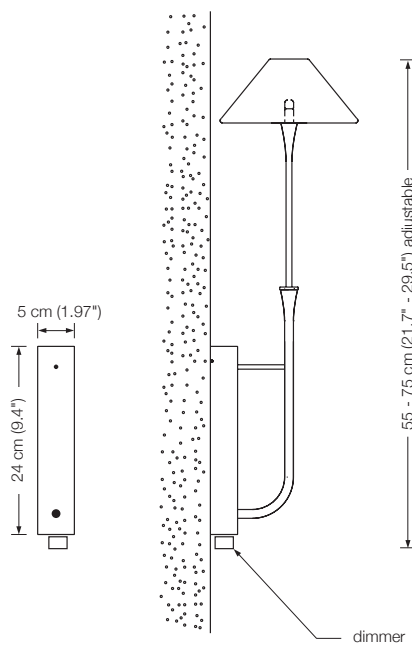
wall lamp

height: 55 - ca. 80 cm (21.7" - 31.5") adjustable
shade: TEFLON white Ø 18 cm (7.1")
lampholder: GY 6.35, max. 50 W / 12 V
bulb: OSRAM HALOSTAR ECO 35 W (equal 50 W)
dimmer: built in

WIN - Ms Solid brass polished, lacquered
WIN - Mt Solid brass matt brushed, lacquered
WIN - Ni Solid brass, nickel-plated
WIN - Nm Solid brass nickel-plated, matt brushed
WIN - Cr Solid brass, chrome-plated

Energy class: B

Additional USA 110 V conversion kit: **available on request**
110 V bulbs not included





VEA

wall lamp

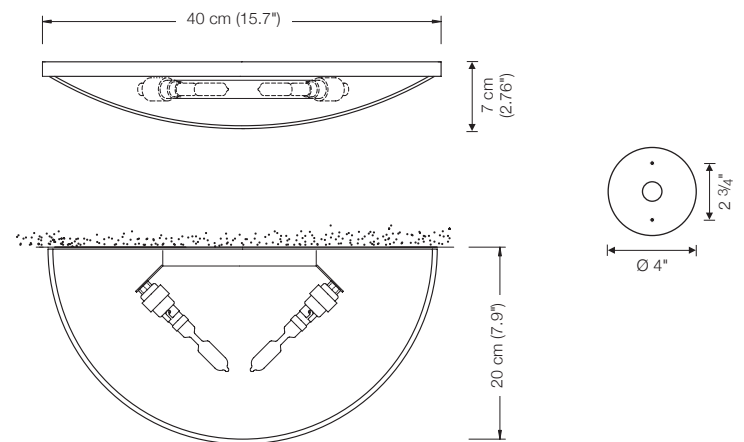
width: 40 cm (15.7")
shade: glass white-opal
top glass diffuser
lampholder:: 2 x B15d, max. 2 x 150 W
bulb:: 2 x OSRAM HALOLUX CERAM ECO 100 W

VEA – Ms Solid brass polished, lacquered
VEA – Mt Solid brass matt brushed, lacquered
VEA – Ni Solid brass, nickel-plated
VEA – Nm Solid brass nickel-plated, matt brushed
VEA – Cr Solid brass, chrome-plated

Energy class: D

4" junction box: not covered
Backplate Ø 12 cm (4.72") (please indicate with order)

Additional USA 110 V conversion kit: **available on request**



VAO

wall lamp
flexible and specially reinforced metal arm

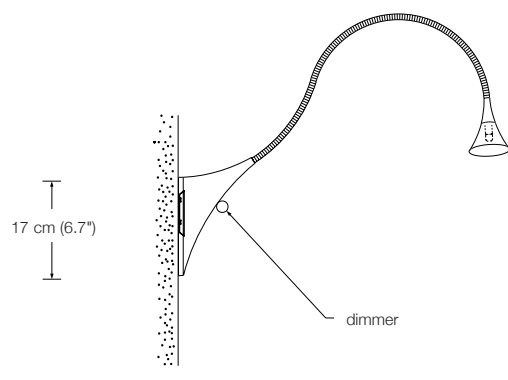
height: approx. 44 cm (17.3")
shade: TEFLON white, Ø 7 cm (2.8")
Fassung: GY6.35, max. 20 W / 12 V
Leuchtmittel: OSRAM HALOSTAR IRC 20 W
dimmer: built in

VAO – Ms Solid brass polished, lacquered
VAO – Mt Solid brass matt brushed, lacquered
VAO – Ni Solid brass, nickel-plated
VAO – Nm Solid brass nickel-plated, matt brushed
VAO – Cr Solid brass, chrome-plated

Energy class: C

4" junction box: covered

Additional USA 110 V conversion kit: available on request





EREA 55

ceiling lamp

height: standard 60 cm (23.6")
or on request
(min. 40 cm (15.7") to max. 200 cm (78.7"))

shade: glass white-opal Ø 55 cm (21.7")

lampholder: 6 x E14, max. 6 x 60 W

dimmer: possible via house installation or Casambi*

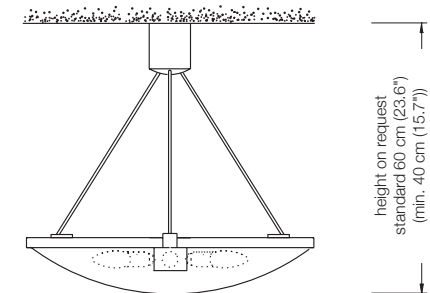
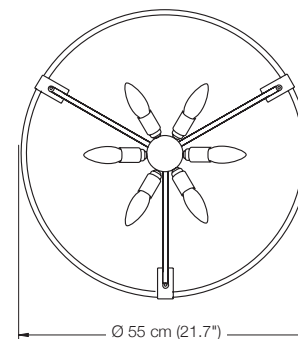
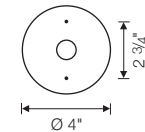
| | |
|--------------|---|
| EREA 55 – Ms | Solid brass polished, lacquered |
| EREA 55 – Mt | Solid brass matt brushed, lacquered |
| EREA 55 – Ni | Solid brass, nickel-plated |
| EREA 55 – Nm | Solid brass nickel-plated, matt brushed |
| EREA 55 – Cr | Solid brass, chrome-plated |

Energy class: A++ to E
(Depending on the used bulb.)

4" junction box: not covered
Backplate Ø 12 cm (4.72") (please indicate with order)
Additional 110 V conversion kit: **available on request**
110 V bulbs not included

* We recommend (without obligation) the following dimmer brands:

- GIRA 0307 00/102
- JUNG 1731 DD
- BERKER 2874
- FELLER 40300.RC
- BUSCH-JÄGER 6523U
- ARDITI 027505
- CASAMBI Dimmer 800598 / 800680
- KOPP 8033



EREA 80

ceiling lamp

height: standard 100 cm (39.4")
or on request
(min. 60 cm (23.6") to max. 200 cm (78.7"))

shade: glass white-opal Ø 80 cm (31.5")

lampholder: 6 x E27, max. 6 x 205 W

dimmer: possible via house installation or Casambi*

| | |
|--------------|---|
| EREA 80 – Ms | Solid brass polished, lacquered |
| EREA 80 – Mt | Solid brass matt brushed, lacquered |
| EREA 80 – Ni | Solid brass, nickel-plated |
| EREA 80 – Nm | Solid brass nickel-plated, matt brushed |
| EREA 80 – Cr | Solid brass, chrome-plated |

Energy class: A++ to E

(Depending on the used bulb.)

4" junction box: not covered

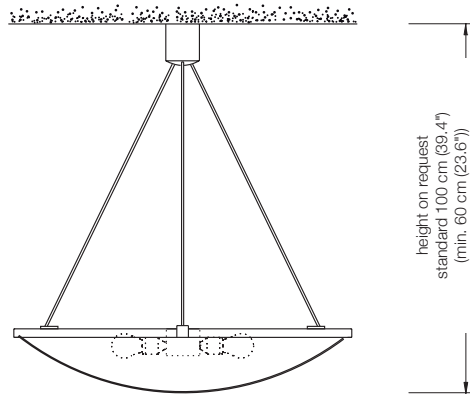
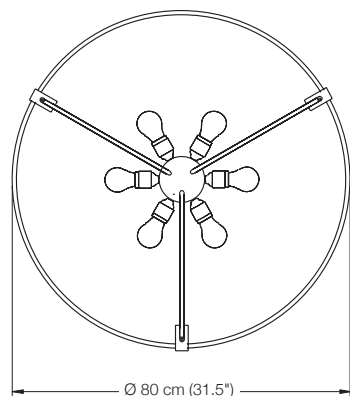
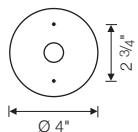
Backplate Ø 12 cm (4.72") (please indicate with order)

Additional 110 V conversion kit: **available on request**

110 V bulbs not included

* We recommend (without obligation) the following dimmer brands:

- GIRA 0307 00/102
- JUNG 1731 DD
- BERKER 2874
- FELLER 40300.FC
- BUSCH-JÄGER 6523U
- ARDITI 027505
- CASAMBI Dimmer 800598 / 800680
- KOPP 8033





SOLA 80

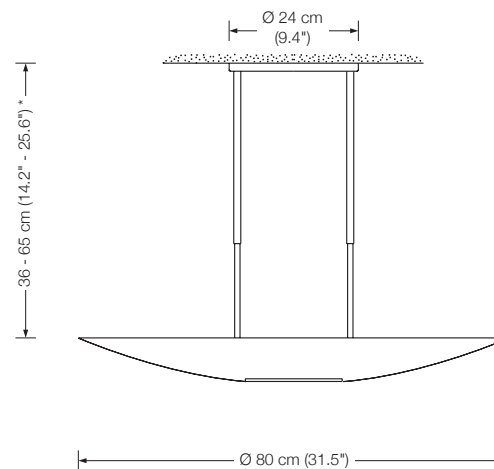
ceiling lamp
 direct and indirect light
 bottom glass diffuser
 height: 36 - 65 cm (14.2" - 25.6") adjustable *
 shade: metal Ø 80 cm (31.5")
 lampholder: R7s, max. 500 W
 bulb: OSRAM HALOLINE ECO 400 W incl.
 dimmer: possible via house installation

| | |
|--------------|---|
| SOLA 80 – Ms | Solid brass polished, lacquered |
| SOLA 80 – Mt | Solid brass matt brushed, lacquered |
| SOLA 80 – Ni | Solid brass, nickel-plated |
| SOLA 80 – Nm | Solid brass nickel-plated, matt brushed |
| SOLA 80 – Cr | Solid brass, chrome-plated |

Energy class: D
This model will be sold with a class D bulb.

4" junction box: covered
 Additional USA 110 V conversion kit: **available on request**
 110 V bulbs not included

* special length on request



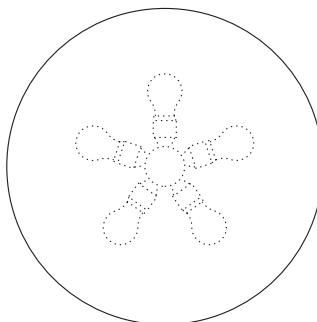
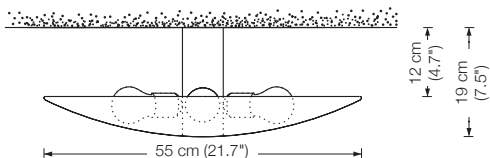
SELA 55

ceiling lamp
indirect lighting
shade:
lampholder:
dimmer:

metal Ø 55 cm (21.7")
5 x E27, max. 5 x 100 W
possible via house installation or Casambi*

SELA 55 – Ms
SELA 55 – Mt
SELA 55 – Ni
SELA 55 – Nm
SELA 55 – Cr

Solid brass polished, lacquered
Solid brass matt brushed, lacquered
Solid brass, nickel-plated
Solid brass nickel-plated, matt brushed
Solid brass, chrome-plated



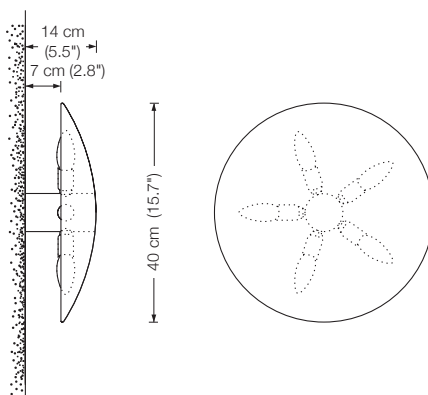
SELA 40

ceiling lamp
indirect lighting
shade:
lampholder:
dimmer:

metal Ø 40 cm (15.7")
5 x E27, max. 5 x 100 W
possible via house installation or Casambi*

SELA 40 – Ms
SELA 40 – Mt
SELA 40 – Ni
SELA 40 – Nm
SELA 40 – Cr

Solid brass polished, lacquered
Solid brass matt brushed, lacquered
Solid brass, nickel-plated
Solid brass nickel-plated, matt brushed
Solid brass, chrome-plated



special length (distance to wall / ceiling) on request

Energy class: A++ to E

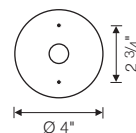
(Depending on the used bulb.)

* We recommend (without obligation) the following dimmer brands:

- GIRA 0307 00/102
- JUNG 1731 DD
- BERKER 2874
- FELLER 40300.RC
- BUSCH-JÄGER 6523U
- ARDITI 027505
- CASAMBI Dimmer 800598 / 800680
- KOPP 8033

SELA 40 / 55:

4" junction box: not covered
Backplate Ø 12 cm (4.72") (please indicate with order)
Additional 110 V conversion kit: **available on request**
110 V bulbs not included

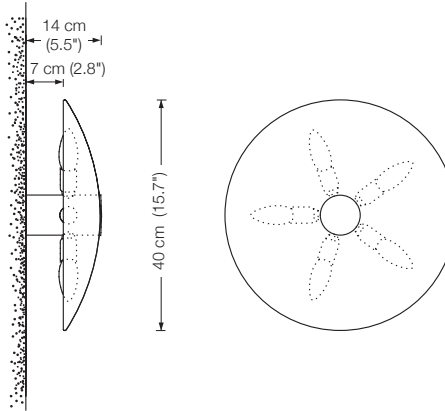


GELA 40
 wall / ceiling lamp
 shade: glass white-opal Ø 40 cm (15.7")
 lampholder: 5 x E14, max. 5 x 60 W
 dimmer: possible via house installation or Casambi*

GELA 40 – Ms Solid brass polished, lacquered
 GELA 40 – Mt Solid brass matt brushed, lacquered
 GELA 40 – Ni Solid brass, nickel-plated
 GELA 40 – Nm Solid brass nickel-plated, matt brushed
 GELA 40 – Cr Solid brass, chrome-plated

special length (distance to wall / ceiling) on request

Energy class: A++ to E
 (Depending on the used bulb.)

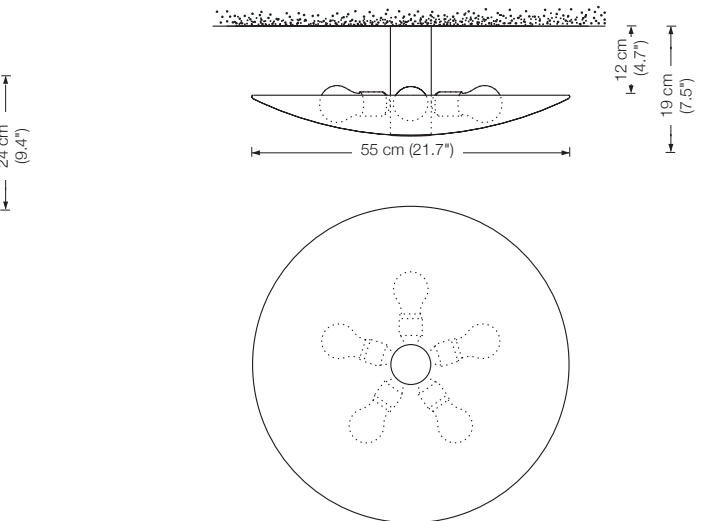


GELA 55
 ceiling lamp
 shade: glass white-opal Ø 55 cm (21.7")
 lampholder: 5 x E27, max. 5 x 100 W
 dimmer: possible via house installation or Casambi*

GELA 55 – Ms Solid brass polished, lacquered
 GELA 55 – Mt Solid brass matt brushed, lacquered
 GELA 55 – Ni Solid brass, nickel-plated
 GELA 55 – Nm Solid brass nickel-plated, matt brushed
 GELA 55 – Cr Solid brass, chrome-plated

special length (distance to ceiling) on request

Energy class: A++ to E
 (Depending on the used bulb.)

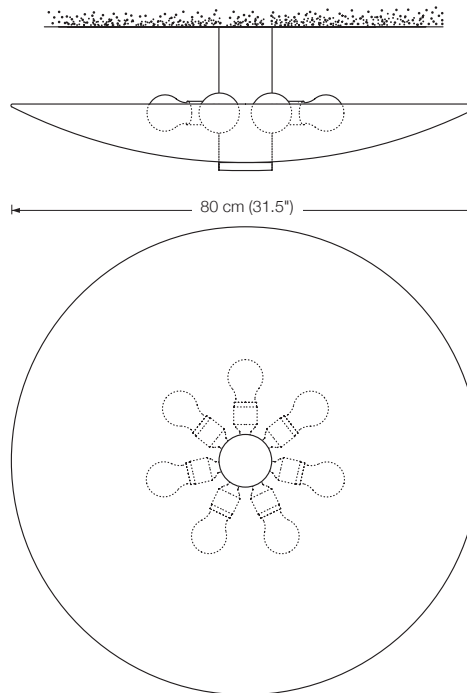


GELA 80
 ceiling lamp
 shade: glass white-opal Ø 80 cm (31.5")
 lampholder: 7 x E27, max. 7 x 100 W
 dimmer: possible via house installation or Casambi*

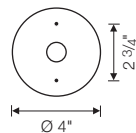
GELA 80 – Ms Solid brass polished, lacquered
 GELA 80 – Mt Solid brass matt brushed, lacquered
 GELA 80 – Ni Solid brass, nickel-plated
 GELA 80 – Nm Solid brass nickel-plated, matt brushed
 GELA 80 – Cr Solid brass, chrome-plated

special length (distance to ceiling) on request

Energy class: A++ to E
 (Depending on the used bulb.)



GELA 40 / 55 / 80:
 4" junction box: not covered
 Backplate Ø 12 cm (4.72") (please indicate with order)
 Additional 110 V conversion kit: **available on request**
 110 V bulbs not included



* We recommend (without obligation) the following dimmer brands:

- GIRA 0307 00/102
- JUNG 1731 DD
- BERKER 2874
- FELLER 40300.RC
- BUSCH-JÄGER 6523U
- ARDITI 027505
- CASAMBI Dimmer 800598 / 800680
- KOPP 8033





OLA 25

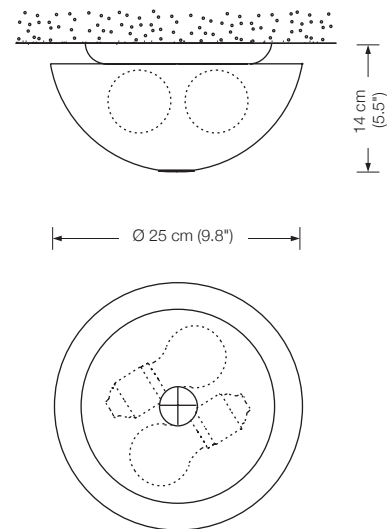
ceiling lamp

height: 14 cm (5.5")
shade: glass white-opal, Ø 25 cm (9.8")
lampholder: 2 x E27, max. 2 x 100 W
bulb: 2 x OS E27 Parathom, dimmable
à 1080 Lumen, 2700° K, 11 W $\hat{=}$ 75 W
dimmer: possible via house installation

OLA 25 – Ms Solid brass polished, lacquered
OLA 25 – Mt Solid brass matt brushed, lacquered
OLA 25 – Ni Solid brass, nickel-plated
OLA 25 – Nm Solid brass nickel-plated, matt brushed
OLA 25 – Cr Solid brass, chrome-plated

Energy class: A++ to E
(Depending on the used bulb.)

4" junction box: covered
Additional USA 110 V conversion kit: **available on request**
110 V bulbs not included



OLA 36

ceiling lamp

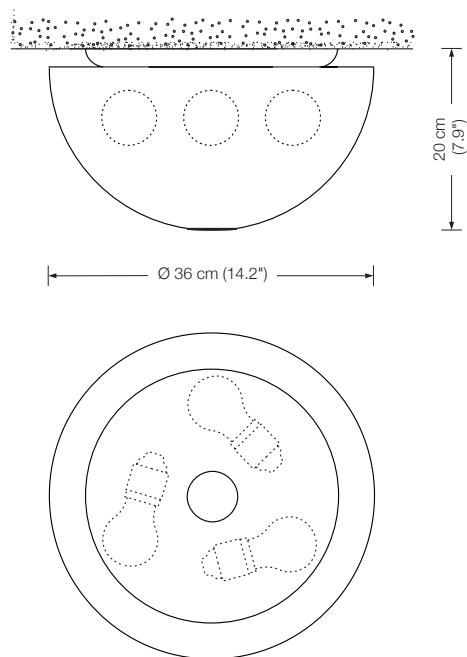
height: 20 cm (7.9")
shade: glass white-opal, Ø 36 cm (14.2")
lampholder: 3 x E27, max. 3 x 100 W
bulb: 3 x OS E27 Parathom, dimmable
à 1080 Lumen, 2700° K, 11 W $\hat{=}$ 75 W
dimmer: possible via house installation

OLA 36 – Ms Solid brass polished, lacquered
OLA 36 – Mt Solid brass matt brushed, lacquered
OLA 36 – Ni Solid brass, nickel-plated
OLA 36 – Nm Solid brass nickel-plated, matt brushed
OLA 36 – Cr Solid brass, chrome-plated

Energy class: A++ to E
(Depending on the used bulb.)

4" junction box: covered

Additional USA 110 V conversion kit: **available on request**
110 V bulbs not included





DUOS 36 P – pendant

Pendant lamp

shade: metal Ø 36 cm (14.2")

lampholder: E27, max. 100 W

- DUOS 36 P – Ms Solid brass polished, lacquered
- DUOS 36 P – Mt Solid brass matt brushed, lacquered
- DUOS 36 P – Ni Solid brass, nickel-plated
- DUOS 36 P – Nm Solid brass nickel-plated, matt brushed
- DUOS 36 P – Cr Solid brass, chrome-plated

4" junction box: covered

Additional USA 110 V conversion kit: **available on request**

110 V bulbs not included



DUOS 36 M – center pull

Adjustable pendant lamp

shade: metal Ø 36 cm (14.2")

lampholder: E27, max. 100 W

- DUOS 36 M – Ms Solid brass polished, lacquered
- DUOS 36 M – Mt Solid brass matt brushed, lacquered
- DUOS 36 M – Ni Solid brass, nickel-plated
- DUOS 36 M – Nm Solid brass nickel-plated, matt brushed
- DUOS 36 M – Cr Solid brass, chrome-plated

4" junction box: covered by US canopy Ø 12 cm (4.7")

(please indicate with order)

Additional USA 110 V conversion kit: **available on request**

110 V bulbs not included



DUOS 36 S – side pull

Adjustable pendant lamp

shade: metal Ø 36 cm (14.2")

lampholder: E27, max. 100 W

- DUOS 36 S – Ms Solid brass polished, lacquered
- DUOS 36 S – Mt Solid brass matt brushed, lacquered
- DUOS 36 S – Ni Solid brass, nickel-plated
- DUOS 36 S – Nm Solid brass nickel-plated, matt brushed
- DUOS 36 S – Cr Solid brass, chrome-plated

4" junction box: covered by US canopy Ø 12 cm (4.7")

(please indicate with order)

Additional USA 110 V conversion kit: **available on request**

110 V bulbs not included



DUOS 36 R – straight pull ceiling mounted

Adjustable pendant lamp

shade: metal Ø 36 cm (14.2")

lampholder: E27, max. 100 W

| | |
|----------------|---|
| DUOS 36 R – Ms | Solid brass polished, lacquered |
| DUOS 36 R – Mt | Solid brass matt brushed, lacquered |
| DUOS 36 R – Ni | Solid brass, nickel-plated |
| DUOS 36 R – Nm | Solid brass nickel-plated, matt brushed |
| DUOS 36 R – Cr | Solid brass, chrome-plated |

4" junction box: not necessary

Additional USA 110 V conversion kit: **available on request**

110 V bulbs not included



DUOS 36 D – double pull

Adjustable pendant lamp

shade: metal Ø 36 cm (14.2")

lampholder: 2 x E27, max. 2 x 100 W

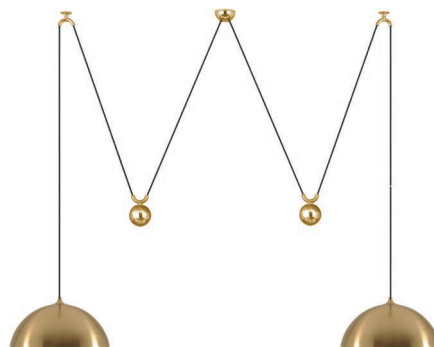
| | |
|----------------|---|
| DUOS 36 D – Ms | Solid brass polished, lacquered |
| DUOS 36 D – Mt | Solid brass matt brushed, lacquered |
| DUOS 36 D – Ni | Solid brass, nickel-plated |
| DUOS 36 D – Nm | Solid brass nickel-plated, matt brushed |
| DUOS 36 D – Cr | Solid brass, chrome-plated |

4" junction box: covered by US canopy Ø 12 cm (4.7")

(please indicate with order)

Additional USA 110 V conversion kit: **available on request**

110 V bulbs not included



Energy class: A++ to E

(Depending on the used bulb.)

Textile cable black. On request: brown, gold, silver.





POSA 36 P – pendant

Pendant lamp

shade: glass white-opal, Ø 36 cm (14.2")

lampholder: E27, max. 100 W

- POSA 36 P – Ms Solid brass polished, lacquered
- POSA 36 P – Mt Solid brass matt brushed, lacquered
- POSA 36 P – Ni Solid brass, nickel-plated
- POSA 36 P – Nm Solid brass nickel-plated, matt brushed
- POSA 36 P – Cr Solid brass, chrome-plated

4" junction box: covered

Additional USA 110 V conversion kit: **available on request**

110 V bulbs not included



POSA 36 M – center pull

Adjustable pendant lamp

shade: glass white-opal, Ø 36 cm (14.2")

lampholder: E27, max. 100 W

- POSA 36 M – Ms Solid brass polished, lacquered
- POSA 36 M – Mt Solid brass matt brushed, lacquered
- POSA 36 M – Ni Solid brass, nickel-plated
- POSA 36 M – Nm Solid brass nickel-plated, matt brushed
- POSA 36 M – Cr Solid brass, chrome-plated

4" junction box: covered by US canopy Ø 12 cm (4.7")

(please indicate with order)

Additional USA 110 V conversion kit: **available on request**

110 V bulbs not included



POSA 36 S – side pull

Adjustable pendant lamp

shade: glass white-opal, Ø 36 cm (14.2")

lampholder: E27, max. 100 W

- POSA 36 S – Ms Solid brass polished, lacquered
- POSA 36 S – Mt Solid brass matt brushed, lacquered
- POSA 36 S – Ni Solid brass, nickel-plated
- POSA 36 S – Nm Solid brass nickel-plated, matt brushed
- POSA 36 S – Cr Solid brass, chrome-plated

4" junction box: covered by US canopy Ø 12 cm (4.7")

(please indicate with order)

Additional USA 110 V conversion kit: **available on request**

110 V bulbs not included



POSA 36 R – straight pull ceiling mounted

Adjustable pendant lamp

shade: glass white-opal, Ø 36 cm (14.2")

lampholder: E27, max. 100 W

| | |
|----------------|---|
| POSA 36 R – Ms | Solid brass polished, lacquered |
| POSA 36 R – Mt | Solid brass matt brushed, lacquered |
| POSA 36 R – Ni | Solid brass, nickel-plated |
| POSA 36 R – Nm | Solid brass nickel-plated, matt brushed |
| POSA 36 R – Cr | Solid brass, chrome-plated |

4" junction box: not necessary

Additional USA 110 V conversion kit: **available on request**

110 V bulbs not included



POSA 36 D – double pull

Adjustable pendant lamp

shade: glass white-opal, Ø 36 cm (14.2")

lampholder: 2 x E27, max. 2 x 100 W

| | |
|----------------|---|
| POSA 36 D – Ms | Solid brass polished, lacquered |
| POSA 36 D – Mt | Solid brass matt brushed, lacquered |
| POSA 36 D – Ni | Solid brass, nickel-plated |
| POSA 36 D – Nm | Solid brass nickel-plated, matt brushed |
| POSA 36 D – Cr | Solid brass, chrome-plated |

4" junction box: covered by US canopy Ø 12 cm (4.7")

(please indicate with order)

Additional USA 110 V conversion kit: **available on request**

110 V bulbs not included



Energy class: A++ to E

(Depending on the used bulb.)

Textile cable black. On request: brown, gold, silver.





ONOS 55 P – pendant

Pendant lamp

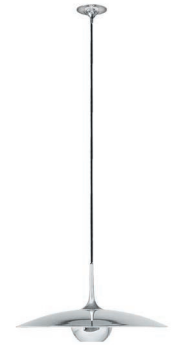
shade: metal Ø 55 cm (21.7")
metal light diffuser

lampholder: E27, max. 100 W

ONOS 55 P – Ms Solid brass polished, lacquered
ONOS 55 P – Mt Solid brass matt brushed, lacquered
ONOS 55 P – Ni Solid brass, nickel-plated
ONOS 55 P – Nm Solid brass nickel-plated, matt brushed
ONOS 55 P – Cr Solid brass, chrome-plated

4" junction box: covered

Additional USA 110 V conversion kit: **available on request**
110 V bulbs not included



ONOS 55 M – center pull

Adjustable pendant lamp

shade: metal Ø 55 cm (21.7")
metal light diffuser

lampholder: E27, max. 100 W

ONOS 55 M – Ms Solid brass polished, lacquered
ONOS 55 M – Mt Solid brass matt brushed, lacquered
ONOS 55 M – Ni Solid brass, nickel-plated
ONOS 55 M – Nm Solid brass nickel-plated, matt brushed
ONOS 55 M – Cr Solid brass, chrome-plated

4" junction box: covered by US canopy Ø 12 cm (4.7")
(please indicate with order)

Additional USA 110 V conversion kit: **available on request**
110 V bulbs not included



ONOS 55 S – side pull

Adjustable pendant lamp

shade: metal Ø 55 cm (21.7")
metal light diffuser

lampholder: E27, max. 100 W

ONOS 55 S – Ms Solid brass polished, lacquered
ONOS 55 S – Mt Solid brass matt brushed, lacquered
ONOS 55 S – Ni Solid brass, nickel-plated
ONOS 55 S – Nm Solid brass nickel-plated, matt brushed
ONOS 55 S – Cr Solid brass, chrome-plated

4" junction box: covered by US canopy Ø 12 cm (4.7")
(please indicate with order)

Additional USA 110 V conversion kit: **available on request**
110 V bulbs not included



ONOS 55 R – straight pull ceiling mounted

Adjustable pendant lamp

shade: metal Ø 55 cm (21.7")
metal light diffuser
lampholder: E27, max. 100 W

ONOS 55 R – Ms Solid brass polished, lacquered
ONOS 55 R – Mt Solid brass matt brushed, lacquered
ONOS 55 R – Ni Solid brass, nickel-plated
ONOS 55 R – Nm Solid brass nickel-plated, matt brushed
ONOS 55 R – Cr Solid brass, chrome-plated

4" junction box: not necessary

Additional USA 110 V conversion kit: **available on request**

110 V bulbs not included



ONOS 55 D – double pull

Adjustable pendant lamp

shade: metal Ø 55 cm (21.7")
metal light diffuser
lampholder: 2 x E27, max. 2 x 100 W

ONOS 55 D – Ms Solid brass polished, lacquered
ONOS 55 D – Mt Solid brass matt brushed, lacquered
ONOS 55 D – Ni Solid brass, nickel-plated
ONOS 55 D – Nm Solid brass nickel-plated, matt brushed
ONOS 55 D – Cr Solid brass, chrome-plated

4" junction box: covered by US canopy Ø 12 cm (4.7")

(please indicate with order)

Additional USA 110 V conversion kit: **available on request**

110 V bulbs not included



Energy class: A++ to E

(Depending on the used bulb.)

Textile cable black. On request: brown, gold, silver.





ONOS 40 P – pendant

Pendant lamp

shade: metal Ø 40 cm (15.7")
metal light diffuser

lampholder: E27, max. 100 W

ONOS 40 P – Ms Solid brass polished, lacquered
ONOS 40 P – Mt Solid brass matt brushed, lacquered
ONOS 40 P – Ni Solid brass, nickel-plated
ONOS 40 P – Nm Solid brass nickel-plated, matt brushed
ONOS 40 P – Cr Solid brass, chrome-plated

4" junction box: covered

Additional USA 110 V conversion kit: **available on request**

110 V bulbs not included



ONOS 40 M – center pull

Adjustable pendant lamp

shade: metal Ø 40 cm (15.7")
metal light diffuser

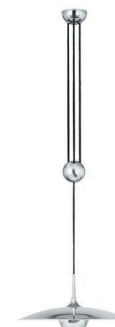
lampholder: E27, max. 100 W

ONOS 40 M – Ms Solid brass polished, lacquered
ONOS 40 M – Mt Solid brass matt brushed, lacquered
ONOS 40 M – Ni Solid brass, nickel-plated
ONOS 40 M – Nm Solid brass nickel-plated, matt brushed
ONOS 40 M – Cr Solid brass, chrome-plated

4" junction box: covered by US canopy Ø 12 cm (4.7")
(please indicate with order)

Additional USA 110 V conversion kit: **available on request**

110 V bulbs not included



ONOS 40 S – side pull

Adjustable pendant lamp

shade: metal Ø 40 cm (15.7")
metal light diffuser

lampholder: E27, max. 100 W

ONOS 40 S – Ms Solid brass polished, lacquered
ONOS 40 S – Mt Solid brass matt brushed, lacquered
ONOS 40 S – Ni Solid brass, nickel-plated
ONOS 40 S – Nm Solid brass nickel-plated, matt brushed
ONOS 40 S – Cr Solid brass, chrome-plated

4" junction box: covered by US canopy Ø 12 cm (4.7")
(please indicate with order)

Additional USA 110 V conversion kit: **available on request**

110 V bulbs not included



ONOS 40 R – straight pull ceiling mounted

Adjustable pendant lamp

shade: metal Ø 40 cm (15.7")
metal light diffuser
lampholder: E27, max. 100 W

ONOS 40 R – Ms Solid brass polished, lacquered
ONOS 40 R – Mt Solid brass matt brushed, lacquered
ONOS 40 R – Ni Solid brass, nickel-plated
ONOS 40 R – Nm Solid brass nickel-plated, matt brushed
ONOS 40 R – Cr Solid brass, chrome-plated

4" junction box: not necessary

Additional USA 110 V conversion kit: **available on request**

110 V bulbs not included



ONOS 40 D – double pull

Adjustable pendant lamp

shade: metal Ø 40 cm (15.7")
metal light diffuser
lampholder: 2 x E27, max. 2 x 100 W

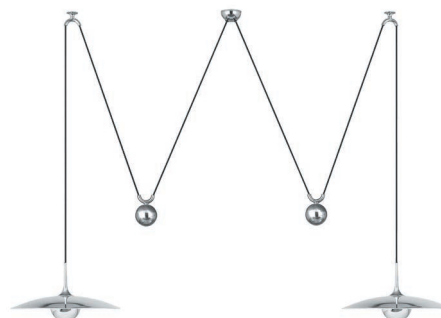
ONOS 40 D – Ms Solid brass polished, lacquered
ONOS 40 D – Mt Solid brass matt brushed, lacquered
ONOS 40 D – Ni Solid brass, nickel-plated
ONOS 40 D – Nm Solid brass nickel-plated, matt brushed
ONOS 40 D – Cr Solid brass, chrome-plated

4" junction box: covered by US canopy Ø 12 cm (4.7")

(please indicate with order)

Additional USA 110 V conversion kit: **available on request**

110 V bulbs not included



Energy class: A++ to E

(Depending on the used bulb.)

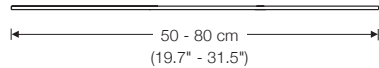
Textile cable black. On request: brown, gold, silver.



Ceiling guiding system for pendant lamps DESY

With the elements of this system ceiling guides for pendant lamp groups are combinable.

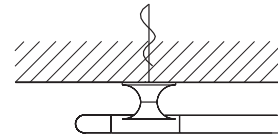
A simple rehanging of the shades allows an illumination even of temporary table combinations (e.g. long table, around the corner etc).



DESY-ST

rod max. 80 cm (31.5")

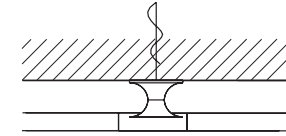
- Ms Solid brass polished, lacquered
- Mt Solid brass matt brushed, lacquered
- Ni Solid brass, nickel-plated
- Nm Solid brass nickel-plated, matt brushed
- Cr Solid brass, chrome-plated



DESY-E

end piece

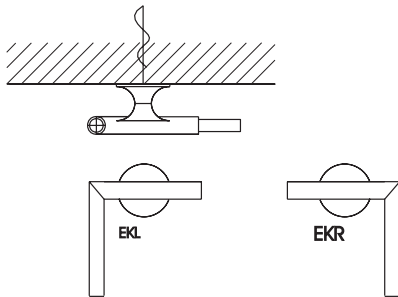
- Ms Solid brass polished, lacquered
- Mt Solid brass matt brushed, lacquered
- Ni Solid brass, nickel-plated
- Nm Solid brass nickel-plated, matt brushed
- Cr Solid brass, chrome-plated



DESY-M

center piece

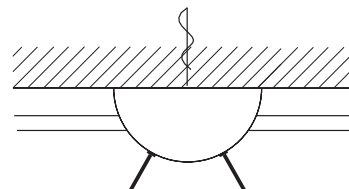
- Ms Solid brass polished, lacquered
- Mt Solid brass matt brushed, lacquered
- Ni Solid brass, nickel-plated
- Nm Solid brass nickel-plated, matt brushed
- Cr Solid brass, chrome-plated



DESY-Ekl corner piece left side (standard)

DESY-Ekr corner piece right side

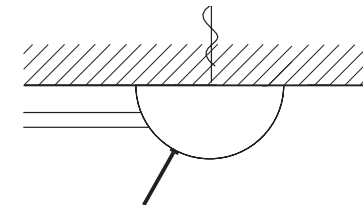
- Ms Solid brass polished, lacquered
- Mt Solid brass matt brushed, lacquered
- Ni Solid brass, nickel-plated
- Nm Solid brass nickel-plated, matt brushed
- Cr Solid brass, chrome-plated



DESY-D

canopy for center cable outlet

- Ms Solid brass polished, lacquered
- Mt Solid brass matt brushed, lacquered
- Ni Solid brass, nickel-plated
- Nm Solid brass nickel-plated, matt brushed
- Cr Solid brass, chrome-plated

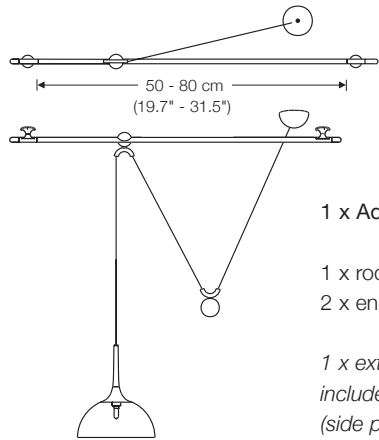


DESY-S

canopy for end cable outlet

- Ms Solid brass polished, lacquered
- Mt Solid brass matt brushed, lacquered
- Ni Solid brass, nickel-plated
- Nm Solid brass nickel-plated, matt brushed
- Cr Solid brass, chrome-plated

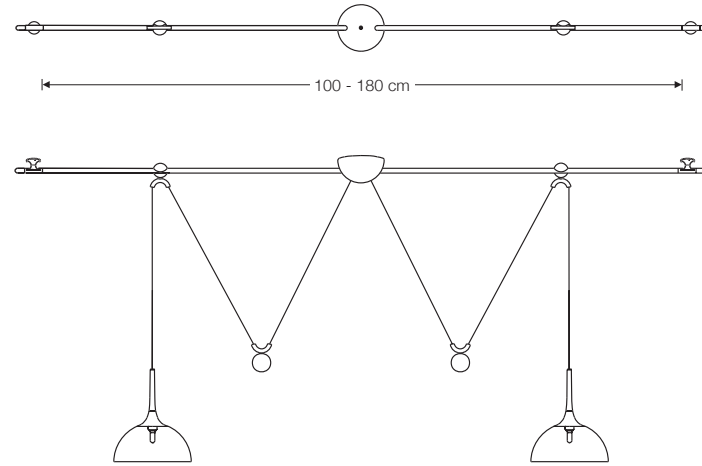
DESY Example



1 x Adjustable pendant lamp – S (side pull)

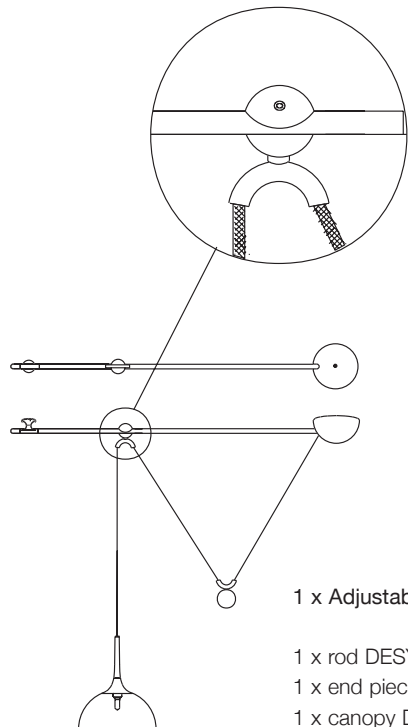
1 x rod DESY-ST
2 x end pieces DESY-E

1 x external canopy
included in Adjustable pendant lamp – S
(side pull).



1 x Adjustable pendant lamp – D
(double pull)

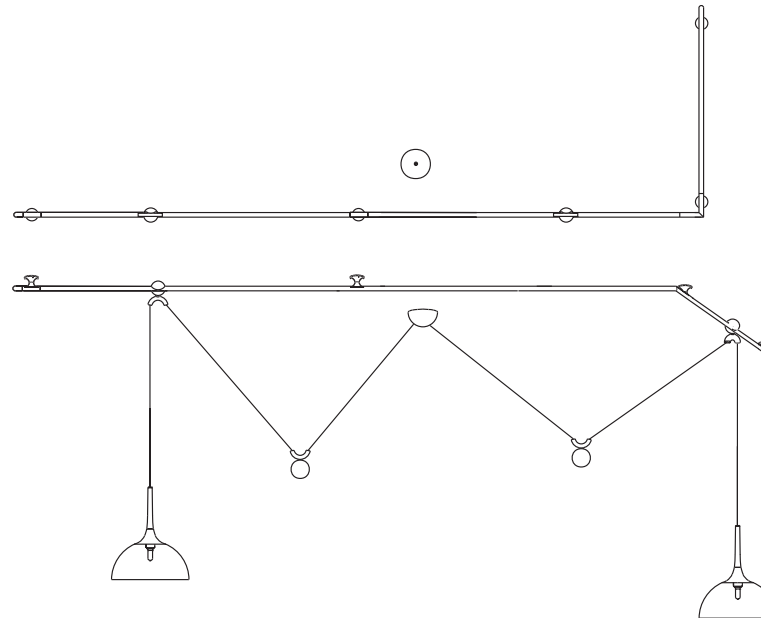
2 x rods DESY-ST
2 x end pieces DESY-E
1 x canopy DESY-D



This upper
cable guide is a
lockable hook.

1 x Adjustable pendant lamp – S (side pull)

1 x rod DESY-ST
1 x end piece DESY-E
1 x canopy DESY-S



1 x Adjustable pendant lamp – D
(double pull)

3 x rods DESY-ST
2 x end pieces DESY-E
1 x center piece DESY-M
1 x corner piece DESY-EK

1 x external canopy
included in Adjustable pendant lamp – D
(double pull)



P80-1

pendant lamp, height adjustable

height: from 65 cm (25.6") – 135 cm (53.15") (standard)*
 canopy: Ø 6 cm (2.36")
 shade: Ø 8 cm (3.15")
 illuminant: LED (20 Watt) incl., 6000 Lumen
 color temperature: Dim-to-Warm from 3100° – 1850 °K
 colour rendering: > 90 Ra
 dimmer: possible via house installation**

P80-1 – Ms Solid brass polished, lacquered
 P80-1 – Mt Solid brass matt brushed, lacquered
 P80-1 – Ni Solid brass, nickel-plated
 P80-1 – Nm Solid brass nickel-plated, matt brushed
 P80-1 – Cr Solid brass, chrome-plated

P80-3

triple pendant lamp, individually height-adjustable

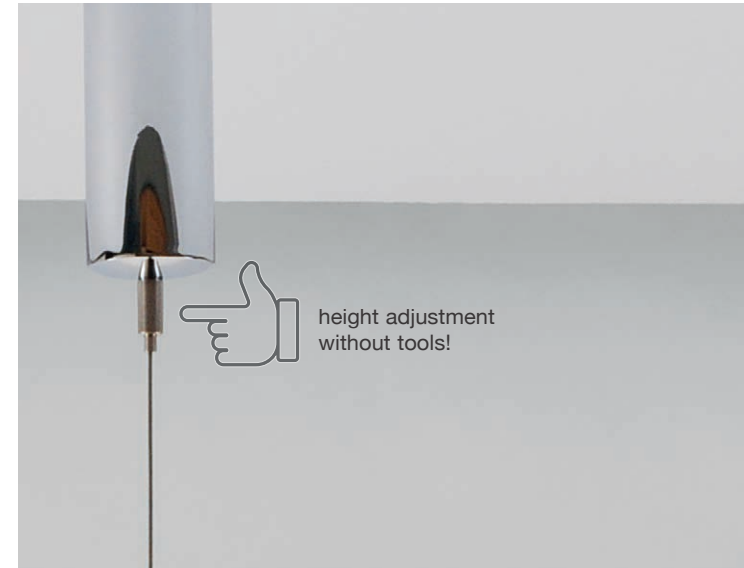
height: 3 x from 65 cm (25.6") – 135 cm (53.15") (standard)*
 canopy: 132 cm (51.97") long, 8 cm (3.15") wide, 4 cm (1.57") high
 shade: 3 x Ø 8 cm (3.15")
 illuminant: 3 x LED (3 x 20 Watt) incl., 6000 Lumen
 color temperature: Dim-to-Warm from 3100° – 1850 °K
 colour rendering: > 90 Ra
 dimmer: possible via house installation**

P80-3 – Ms Solid brass polished, lacquered
 P80-3 – Mt Solid brass matt brushed, lacquered
 P80-3 – Ni Solid brass, nickel-plated
 P80-3 – Nm Solid brass nickel-plated, matt brushed
 P80-3 – Cr Solid brass, chrome-plated

Energy class: A++ to A

*other suspension heights on request

** e.g. JUNG 1224 LED UDE







PEN 100

pendant lamp, height adjustable
 both light elements can be rotated (360°)
 length: 100 cm (39.4")
 canopy: 15 x 15 x 5 cm (5.9" x 5.9" x 2.0")
 height: 80 to 140 cm (31.5" to 55.1") adjustable (standard)*
 illuminant: 2 x LED-Line 150 (approx. 12 watts in total) incl. exchangeable
 approx. 1200 Lumen
 color temperature: warmwhite 2700 K
 colour rendering: > 90 Ra
 dimmer: possible via house installation or Casambi**

PEN 100 – Ms Solid brass polished, lacquered
 PEN 100 – Mt Solid brass matt brushed, lacquered
 PEN 100 – Ni Solid brass, nickel-plated
 PEN 100 – Nm Solid brass nickel-plated, matt brushed
 PEN 100 – Cr Solid brass, chrome-plated

Energy class: A++ to A

4" junction box: covered

Additional USA 110 V conversion kit: **available on request**

* The following suspensions on request (without surcharge):

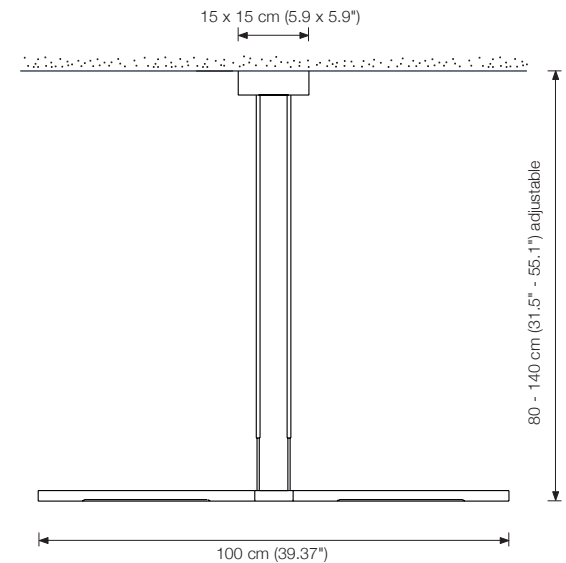
Overall height 105 – 200 cm (41.3" – 78.7")

Overall height 130 – 250 cm (51.2" – 98.4")

Other pendulum lengths possible on request (with additional charge)

** We recommend (without obligation) the following dimmer brands:

- GIRA 0307 00/102
- JUNG 1731 DD
- BERKER 2874
- FELLER 40300.RC
- BUSCH-JÄGER 6523U
- ARDITI 027505
- CASAMBI Dimmer 800598 / 800680
- KOPP 8033



PEN 121

pendant lamp, height adjustable

outer light elements can be rotated (360°)

length: 121 cm (47.6")

canopy: 46,5 x 5 x 5 cm (18.3" x 2.0" x 2.0")

height: 80 to 140 cm (31.5" to 55.1") adjustable (standard)*

bulb: 3 x LED-Line 150 (approx. 24 watts in total) incl.

exchangeable

approx. 2200 Lumen

color temperature: warmwhite 2700 K

colour rendering: > 90 Ra

dimmer: possible via house installation or Casambi**

PEN 121 – Ms Solid brass polished, lacquered

PEN 121 – Mt Solid brass matt brushed, lacquered

PEN 121 – Ni Solid brass, nickel-plated

PEN 121 – Nm Solid brass nickel-plated, matt brushed

PEN 121 – Cr Solid brass, chrome-plated

Energy class: A++ to A

4" junction box: not covered

Additional USA 110 V conversion kit: **available on request**

including a rectangular backplate of

51 x 12 cm (20.1" x 4.7")

* The following suspensions on request (without surcharge):

Overall height 105 – 200 cm (41.3" – 78.7")

Overall height 130 – 250 cm (51.2" – 98.4")

Other pendulum lengths possible on request (with additional charge)

** We recommend (without obligation) the following dimmer brands:

– GIRA 0307 00/102

– JUNG 1731 DD

– BERKER 2874

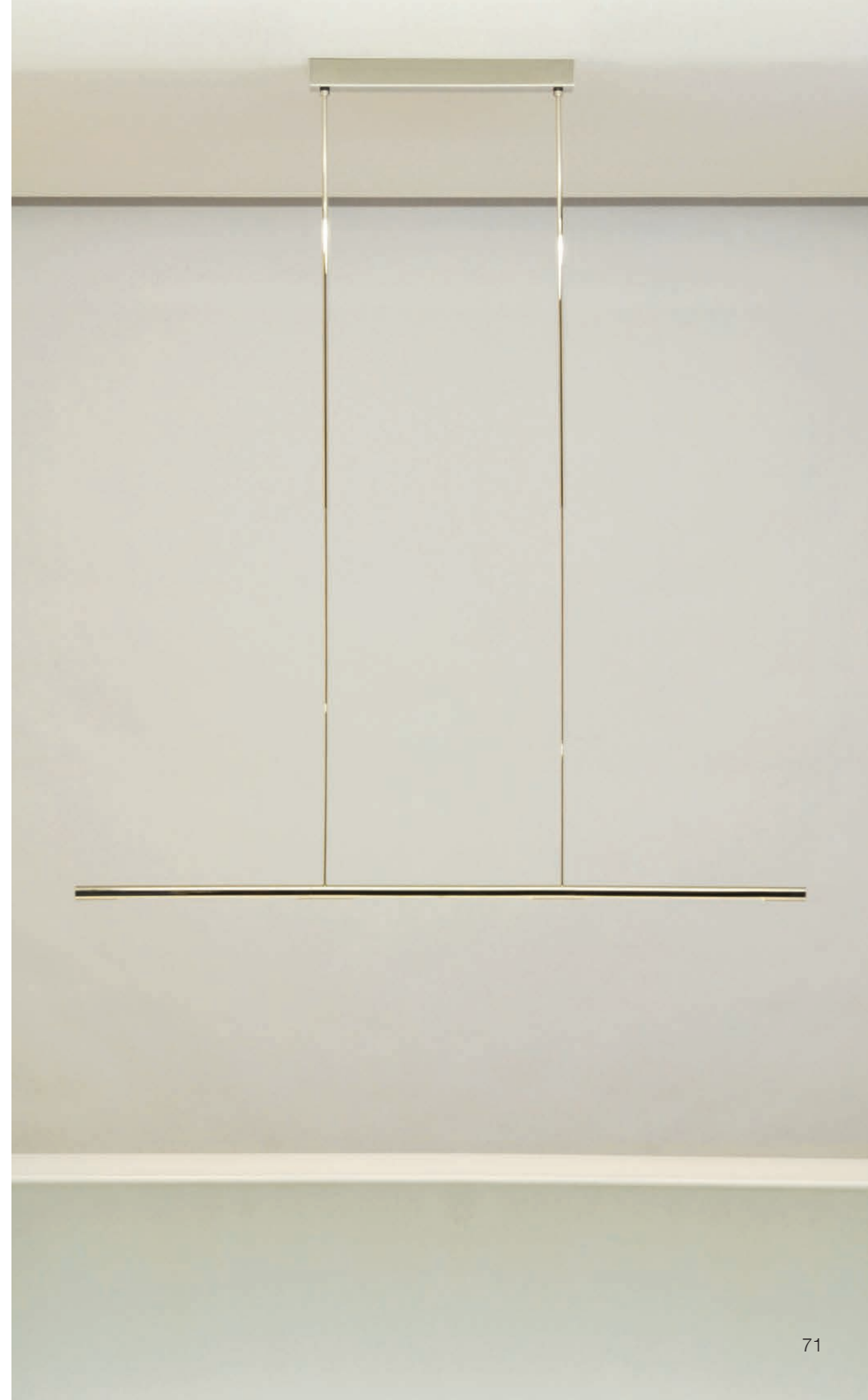
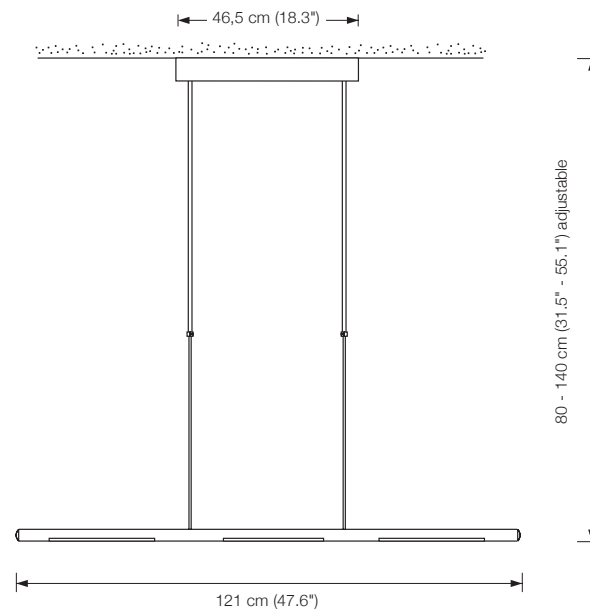
– FELLER 40300.RC

– BUSCH-JÄGER 6523U

– ARDITI 027505

– CASAMBI Dimmer 800598 / 800680

– KOPP 8033





PEN 142

pendant lamp, height adjustable

all light elements can be rotated (360°)

length: 142 cm (55.9")

canopy: 53 x 5 x 5 cm (20.9" x 2.0" x 2.0")

height: 80 to 140 cm (31.5" to 55.1") adjustable (standard)*

bulb: 3 x LED-Line 150 (approx. 24 watts in total) incl.

exchangeable

approx. 2200 Lumen

color temperature: warmwhite 2700 K

colour rendering: > 90 Ra

dimmer: possible via house installation or Casambi**

PEN 142 – Ms Solid brass polished, lacquered

PEN 142 – Mt Solid brass matt brushed, lacquered

PEN 142 – Ni Solid brass, nickel-plated

PEN 142 – Nm Solid brass nickel-plated, matt brushed

PEN 142 – Cr Solid brass, chrome-plated

Energy class: A++ to A

4" junction box: not covered

Additional USA 110 V conversion kit: **available on request**

including a rectangular backplate of

57,5 x 12 cm (22.6" x 4.7")

* The following suspensions on request (without surcharge):

Overall height 105 – 200 cm (41.3" – 78.7")

Overall height 130 – 250 cm (51.2" – 98.4")

Other pendulum lengths possible on request (with additional charge)

** We recommend (without obligation) the following dimmer brands:

– GIRA 0307 00/102

– JUNG 1731 DD

– BERKER 2874

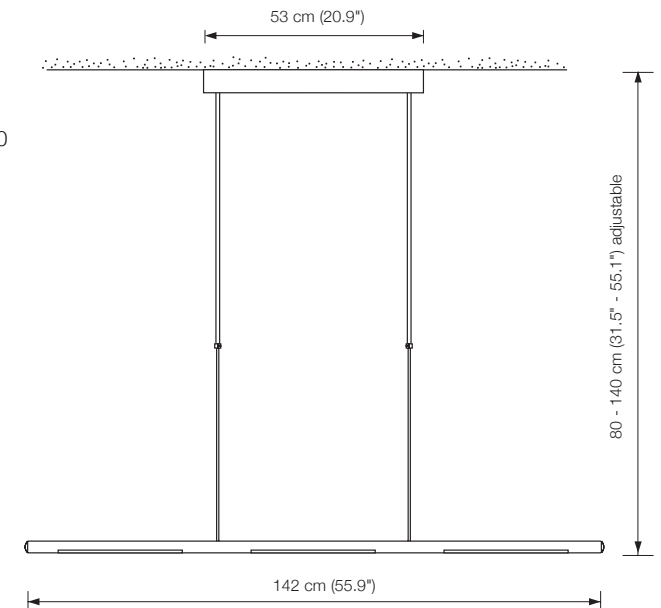
– FELLER 40300.RC

– BUSCH-JÄGER 6523U

– ARDITI 027505

– CASAMBI Dimmer 800598 / 800680

– KOPP 8033







OY

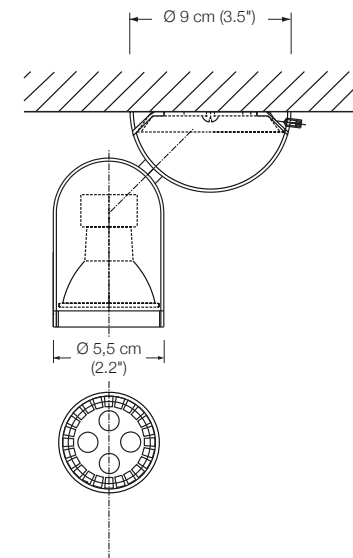
spot
rotatable 360°
height of shade: 8,4 cm (3.3")
Ø shade: 5,5 cm (2.2")
Ø canopy: 9 cm (3.5")
lampholder: GU 10 (high-voltage)
bulb: LED Spot Retrofit (4,6 Watt) incl.
dimnable
exchangeable
approx. 575 Lumen
color temperature: warmwhite 2700 Kelvin
colour rendering: > 90 Ra

OY – Ms Solid brass polished, lacquered
OY – Mt Solid brass matt brushed, lacquered
OY – Ni Solid brass, nickel-plated
OY – Nm Solid brass nickel-plated, matt brushed
OY – Cr Solid brass, chrome-plated

Energy class: A++ to A

Replacement bulbs can be ordered through VS Manufaktur.

Additional USA 110 V conversion kit: **available on request**
110 V bulbs not incl.



OYO

spotlight
swivelling to all sides
for reflector-lights

Ø wall installation: approx. 12 cm (4.7")
 Ø shade: approx. 13 cm (5.1")
 lampholder: G53
 bulb: LED Spot (8,5 W $\hat{=}$ 50 W), 24 ° incl.*
 dimmable
 exchangeable
 approx. 450 Lumen
 color temperature: warmwhite 2700 K
 colour rendering: > 90 Ra

OYO – Ms Solid brass polished, lacquered
 OYO – Mt Solid brass matt brushed, lacquered
 OYO – Ni Solid brass, nickel-plated
 OYO – Nm Solid brass nickel-plated, matt brushed
 OYO – Cr Solid brass, chrome-plated

* optional:

LED Spot (8,5 W $\hat{=}$ 50 W), 24 ° - 4000 K
 LED Spot (8,5 W $\hat{=}$ 50 W), 40 ° - 2700 K
 LED Spot (15,5 W $\hat{=}$ 75 W), 24 ° - 2700 K
 LED Spot (15,5 W $\hat{=}$ 75 W), 24 ° - 4000 K
 LED Spot (15,5 W $\hat{=}$ 75 W), 40 ° - 2700 K

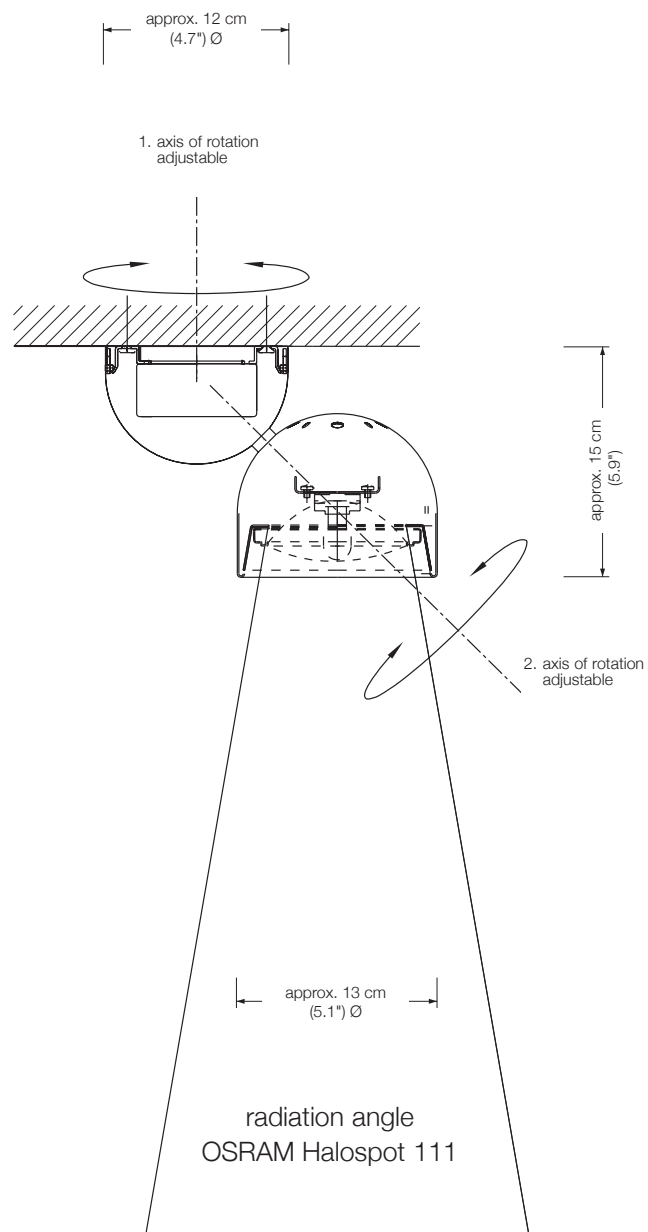
Please indicate with order.

Energy class: A

This model will be sold with a class A bulb.

4" junction box: covered

Additional USA 110 V conversion kit: **available on request**





VS Manufaktur
Wahlwiesenstr. 1
71711 Steinheim
Germany

Tel +49 7144 / 889 110 5
Fax +49 7144 / 889 110 7

www.vs-manufaktur.de
info@vs-manufaktur.de

All rights reserved.
Specifications and design subject to change without notice.