

VS manufaktur
licht + objekt



Timeless craftsmanship

Our mission is to manufacture lamps of lasting value,
in function and in form distinguished
by superior craftsmanship and timeless design.

VS manufaktur
licht + objekt

Collection 2020

Recommended retail price without VAT, valid with effect from February 1st 2020.

With immediate effect, only the models specified in this list are available.

The technical data in this price list shall apply exclusively.

Alphabetical index

	page		page
ALIA	43	MESA 24	11
BEO	44	MYOS	16
CERVANTES	30	MYOS T	17
CINA W.	46	OKON	13
DROP	22 – 23	OLA 25	56
DUOS 36	58 – 59	OLA 36	57
ELAS	37	ONE 58	6
ELAS S.	37	ONE 80	7
ERA 33	45	ONOS 40	64 – 65
ERA 40	45	ONOS 55	62 – 63
EREA 55	50	ORA 20	36
EREA 80	51	ORA 25	36
ESA	39	OVA	8 – 9
GEA	42	OY	74
GELA 40	54 – 55	OYO	75
GELA 55	54 – 55	P80-1	68 – 69
GELA 80	54 – 55	P80-3	68 – 69
INAS	26	PEN 100	70
INAS SD	27	PEN 121	71
LESAN M	31	PEN 142	72 – 73
LESAN S.	31	PIN	24 – 25
LONEA	14	PIN d	24 – 25
LONEA SD	15	PIN T	34
MESA 18	10	PIN W dim	40

Collection

	page
Chandeliers:	6 – 11
Floorlamps:	12 – 20
Arc floor lamps:	21
Floor reading lamps:	22 – 31
Table lamps:	32 – 39
Wall sconces:	40 – 49
Ceiling lamps:	50 – 57
Adjustable pendant lamps:	58 – 65
Pendant lamps:	68 – 73
Spots:	74 – 75
POSA 36	60 – 61
SELA 40	53
SELA 55	53
SOLA 80	52
STE	21
TAOS 40	18
TAOS 40 SD	19
TAOS 55	18
TAOS 55 SD	19
TOA	38
TOLED	33
TOPAN	32
UNA	20
VAO	49
VAYO	12
VEA	48
WED	41
WIN	47
YON	28 – 29
YON G	28 – 29
YON T	35

Prices for non-standard finishes

In addition to the metal finishes quoted in this price list, special finishes are available for most models.

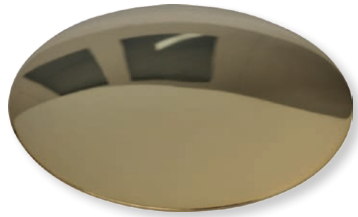
Surcharges are calculated from the basic price for brass (- Ms) or nickel (-Ni): *

Mp	Solid brass polished, unlacquered	+ 10%
Ni-lack	Solid brass nickel-plated, lacquered	+ 10%
Cu	Solid brass copper-plated, lacquered	+ 10%
Cm	Solid brass copper-plated, matt brushed, lacquered	+ 15%
Br	Solid brass bronzed, lacquered	+ 20%
Bd	Solid brass dark-bronzed, lacquered	+ 30%

delivery times on request

* Prices can vary depending on model and technical feasibility.

Finishes



Ms
Solid brass polished, lacquered



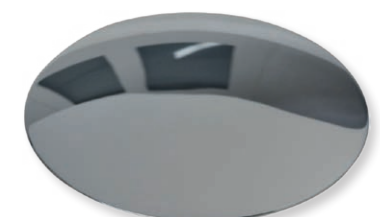
Mt
Solid brass matt brushed, lacquered



Ni
Solid brass, nickel-plated

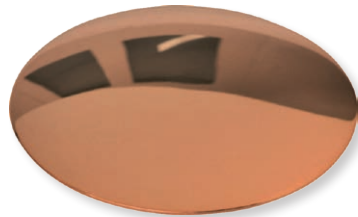


Nm
Solid brass nickel-plated, matt brushed



Cr
Solid brass, chrome-plated

Non-standard finishes



Cu
Solid brass copper-plated, lacquered



Cm
Solid brass copper-plated, matt brushed, lacquered



Br
Solid brass bronzed, lacquered



Bd
Solid brass dark-bronzed, lacquered

Note:

The special surfaces „Mp – Solid brass polished, unlacquered“, and „Ni-lack – Solid brass, nickel-plated, lacquered“ visually look the same, such as „Ms – Solid brass polished, lacquered“ and „Ni – Solid brass, nickel-plated“.



ONE 58

LED chandelier

height: adjustable 0,5 to 2 m (16.69" to 78.74") (standard)*

Ø ring: 58 cm (22.8")

Ø canopy: 25 cm (9.8")

illuminant: LED (31,4 Watt) with glare protection incl.
light upwards and downwards
approx. 3.020 Lumen

colour temperature: warm white 2700 K

colour rendering: > 90 Ra

dimmer: possible via house installation or Casambi**

		€
ONE 58 – Ms	Solid brass polished, lacquered	2948.–
ONE 58 – Mt	Solid brass matt brushed, lacquered	3243.–
ONE 58 – Ni	Solid brass, nickel-plated	2948.–
ONE 58 – Nm	Solid brass nickel-plated, matt brushed	3243.–
ONE 58 – Cr	Solid brass, chrome-plated	3243.–

Energy class: A++ to A.

110 Volt/USA: **not dimmable**

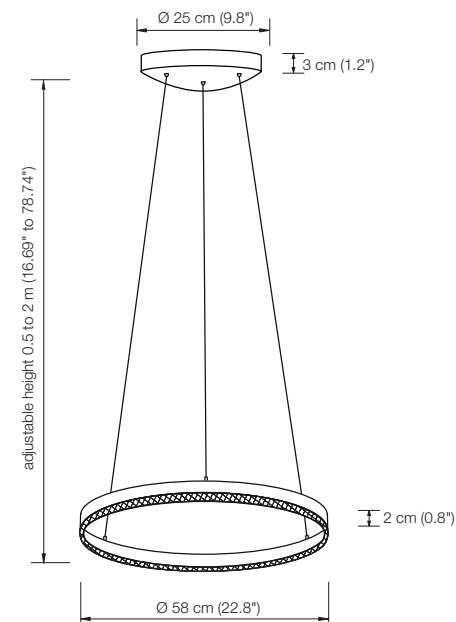
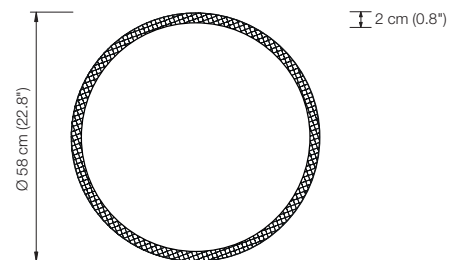
4" junction box: covered

Additional USA 110 V conversion kit: **84.–**

* Other heights: available on request

** We recommend (without obligation) the following dimmer brands:

- GIRA 0307 00/102
- JUNG 1731 DD
- BERKER 2874
- FELLER 40300.RC
- BUSCH-JÄGER 6523U
- ARDITI 027505
- CASAMBI Dimmer 800598 / 800680
- KOPP 8033



ONE 80

LED chandelier

height: adjustable 0.5 to 2 m (16.69" to 78.74") (standard)*

Ø ring: 80 cm (31.5")

Ø canopy: 25 cm (9.8")

illuminant: LED (43 Watt) with glare protection incl.
light upwards and downwards
approx. 4.200 Lumen

colour temperature: warm white 2700 K

colour rendering: > 90 Ra

dimmer: possible via house installation or Casambi**

		€
ONE 80 – Ms	Solid brass polished, lacquered	3800.–
ONE 80 – Mt	Solid brass matt brushed, lacquered	4180.–
ONE 80 – Ni	Solid brass, nickel-plated	3800.–
ONE 80 – Nm	Solid brass nickel-plated, matt brushed	4180.–
ONE 80 – Cr	Solid brass, chrome-plated	4180.–

Energy class: A++ to A.

110 Volt/USA: **not dimmable**

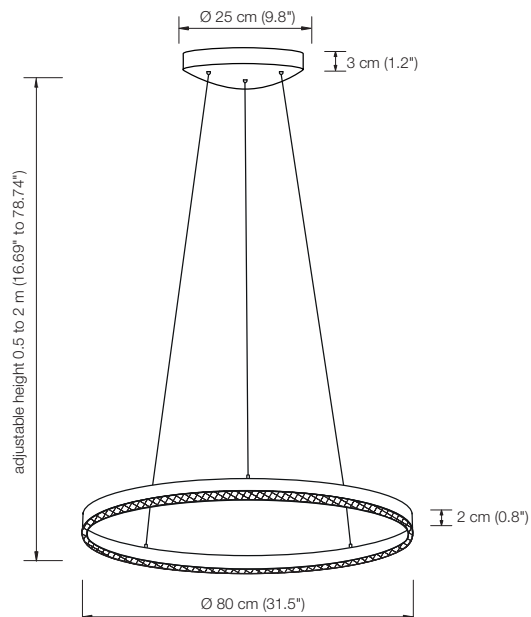
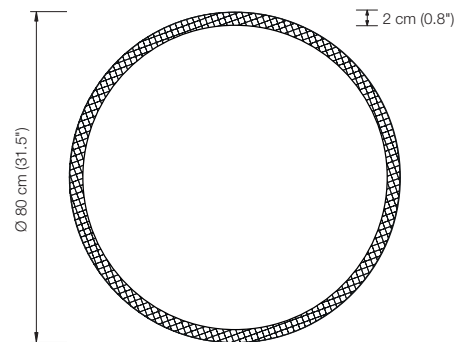
4" junction box: covered

Additional USA 110 V conversion kit: 84.–

* Other heights: available on request

** We recommend (without obligation) the following dimmer brands:

- GIRA 0307 00/102
- JUNG 1731 DD
- BERKER 2874
- FELLER 40300.RC
- BUSCH-JÄGER 6523U
- ARDITI 027505
- CASAMBI Dimmer 800598 / 800680
- KOPP 8033





OVA

LED chandelier
 height: adjustable 1.5 to 2 m (59.06" to 78.74") (standard)*
 oval shade: 125 cm long, 47 wide, 4 cm high
 (49.2" long, 18.5" wide, 1.6" high)
 canopy: 47 cm long, 14 cm wide, 5 cm high
 (18.5" long, 5.5" wide, 2" high)
 illuminant: LED with glare protection incl.
 light upwards and downwards
 approx. 3.000 Lumen
 colour rendering: > 90 Ra
 dimmer: possible via house installation or Casambi**

		€
OVA – Ms	Solid brass polished, lacquered	4900.–
OVA – Mt	Solid brass matt brushed, lacquered	5390.–
OVA – Ni	Solid brass, nickel-plated	4900.–
OVA – Nm	Solid brass nickel-plated, matt brushed	5390.–
OVA – Cr	Solid brass, chrome-plated	5390.–

Energy class: A++ to A.

110 Volt/USA: **not dimmable**

4" junction box: covered

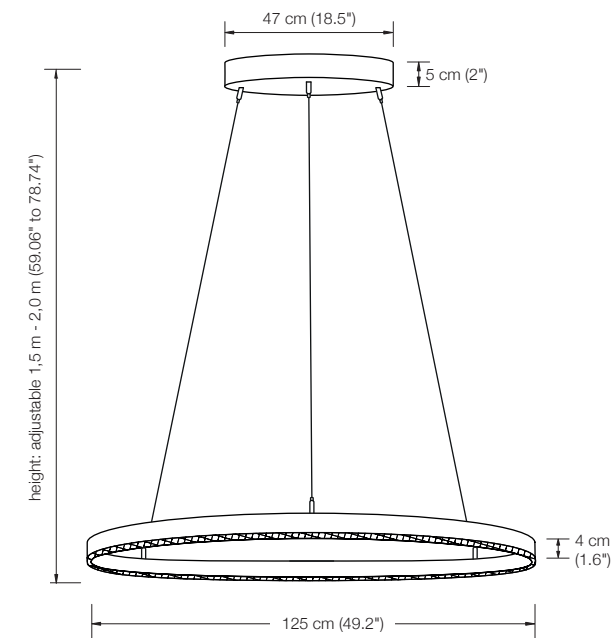
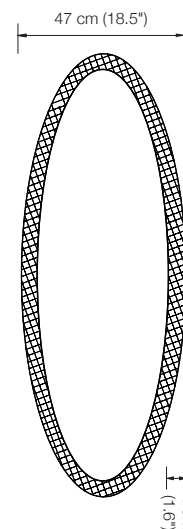
Additional USA 110 V conversion kit:

84.–

* Other heights possible, each with a range of 50 cm (19.7").

** We recommend (without obligation) the following dimmer brands:

- GIRA 0307 00/102
- JUNG 1731 DD
- BERKER 2874
- FELLER 40300.RC
- BUSCH-JÄGER 6523U
- ARDITI 027505
- CASAMBI Dimmer 800598 / 800680
- KOPP 8033







MESA 18

chandelier

18 removable metal arms

total height: min. 85 cm (33.5") - max. 305 cm (120.1") *

Ø: 88 cm (34.6")

lampholder: 18 x G 4, max. 18 x 20 W / 12 V

bulb: 20 x OSRAM HALOSTAR 20 W

dimmer: brightness control is possible **

		€
MESA 18 – Ms	Solid brass polished, lacquered	3623.–
MESA 18 – Mt	Solid brass matt brushed, lacquered	3985.–
MESA 18 – Ni	Solid brass, nickel-plated	3623.–
MESA 18 – Nm	Solid brass nickel-plated, matt brushed	3985.–
MESA 18 – Cr	Solid brass, chrome-plated	3985.–

Energy class: C

4" junction box: covered

Additional USA 110 V conversion kit: 166.–

* telescopic adjustment:

total height 85 – 125 cm (33.5" – 49.2") (standard)

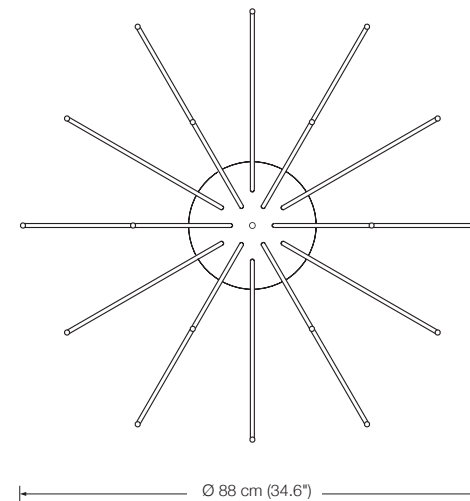
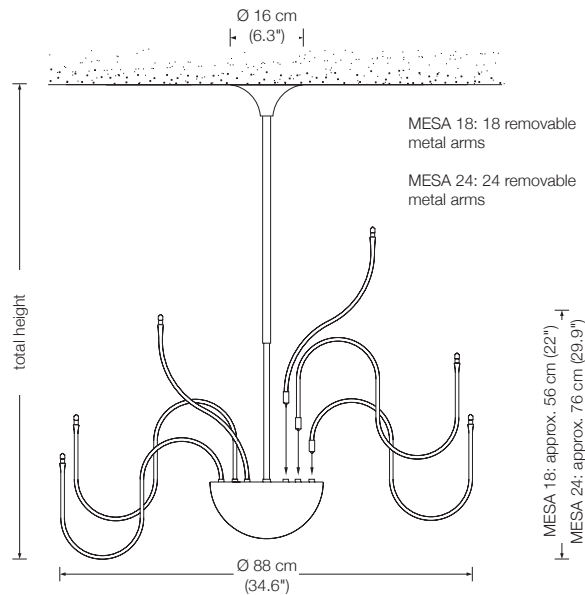
total height 115 – 185 cm (45.3" – 72.8")

total height 175 – 305 cm (68.9" – 120.1")

Other options available on request.

Please indicate with order.

** These lamps are equipped with 2 electronic transformers of 210 VA capacity each.



MESA 24

chandelier

24 removable metal arms

total height: min. 95 (37.4") - max. 315 cm (53.1") *

Ø: 140 cm (55.1")

lampholder: 24 x G4, max. 24 x 20 W / 12 V

bulb: 28 x OSRAM HALOSTAR 20 W

dimmer: brightness control is possible **

		€
MESA 24 – Ms	Solid brass polished, lacquered	4379.–
MESA 24 – Mt	Solid brass matt brushed, lacquered	4816.–
MESA 24 – Ni	Solid brass, nickel-plated	4379.–
MESA 24 – Nm	Solid brass nickel-plated, matt brushed	4816.–
MESA 24 – Cr	Solid brass, chrome-plated	4816.–

Energy class: C

4" junction box: covered

Additional USA 110 V conversion kit: 210.–

* telescopic adjustment:

total height 95 – 135 cm (37.4" – 53.1") (standard)

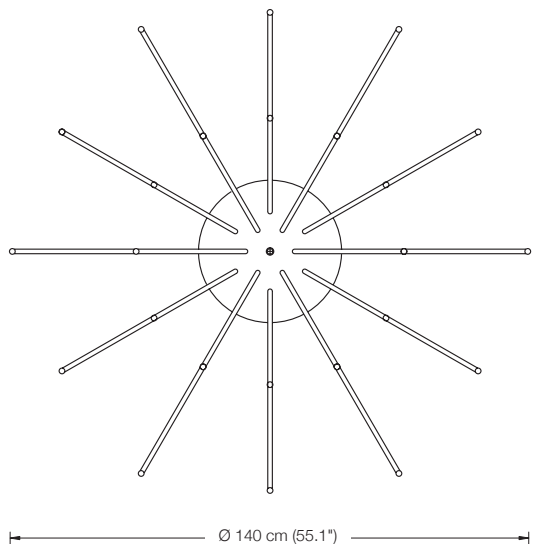
total height 125 – 195 cm (49.2" – 76.8")

total height 185 – 315 cm (72.8" – 124")

Other options available on request.

Please indicate with order.

** These lamps are equipped with 3 electronic transformers of 210 VA capacity each.





VAYO

floor lamp / reading lamp

height:	180 cm (70.9")
width reading lamp:	approx. 50 cm (19.7")
shade floor lamp:	glass white-opal, Ø 23 cm (9.1")
shade reading lamp:	TEFLON white Ø 7 cm (2.8")
lampholder floor lamp::	E27, max. 250 W / 230 V
bulb floor lamp:	1 x OS E27 Superstar, dimmable 2452 Lumen, 2700° K, 21 W ≙ 150 W
lampholder reading lamp:	GY6.35, max. 50 W / 12 V
bulb reading lamp:	OSRAM HALOSTAR ECO 35 W ≙ 50 W
electric wire:	4 m (13.1 ft)
dimmer:	2 x built in

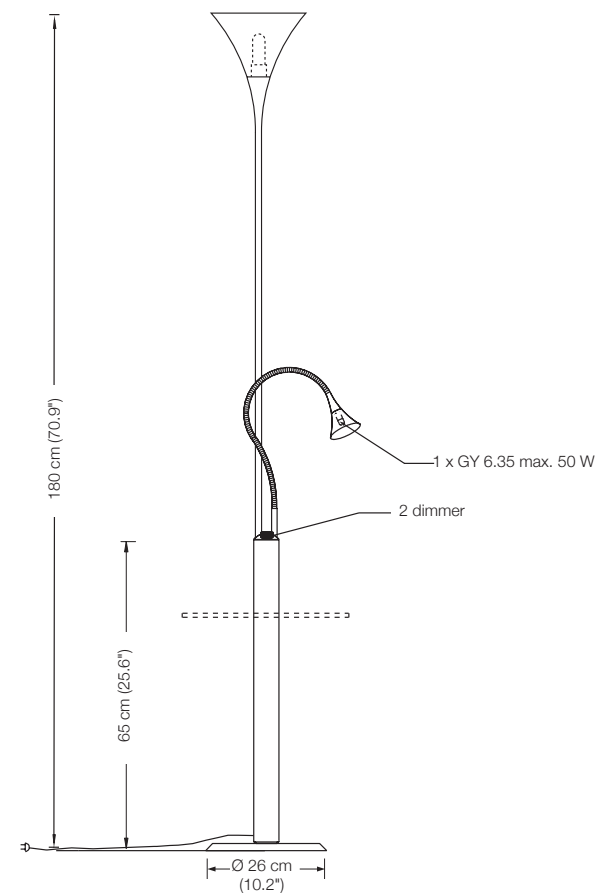
		€
VAYO – Ms	Solid brass polished, lacquered	1571.–
VAYO – Mt	Solid brass matt brushed, lacquered	1696.–
VAYO – Ni	Solid brass, nickel-plated	1571.–
VAYO – Nm	Solid brass nickel-plated, matt brushed	1696.–
VAYO – Cr	Solid brass, chrome-plated	1696.–

glass tabletop Ø 36 cm (14.2"), height 50 cm (19.7"),
clear glass 10 mm (0.4") 300.–

Energy class floor lamp: A++ to E
(Depending on the used bulb.)

Energy class reading lamp: B

Additional USA 110 V conversion kit: 64.–



OKON

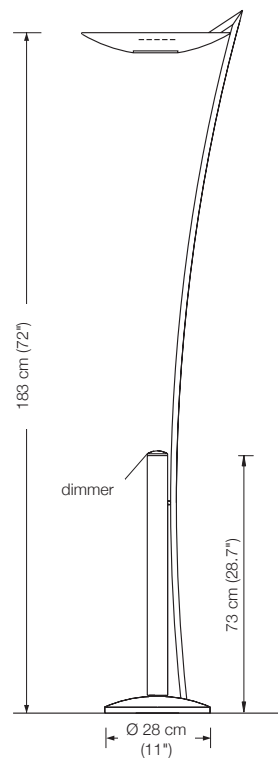
floor lamp

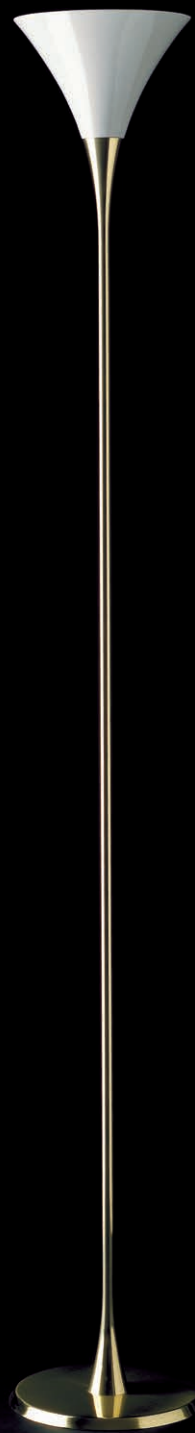
height: 183 cm (72")
shade: metal Ø 40 cm (15.7") bottom glass diffuser
lampholder: R7s, max. 500 W
bulb: OSRAM HALOLINE ECO 230 W
electric wire: 5 m (16.4 ft)
Dimmer: built in

		€
OKON – Ms	Solid brass polished, lacquered	2513.–
OKON – Mt	Solid brass matt brushed, lacquered	2764.–
OKON – Ni	Solid brass, nickel-plated	2513.–
OKON – Nm	Solid brass nickel-plated, matt brushed	2764.–
OKON – Cr	Solid brass, chrome-plated	2764.–

Energy class: D

Additional USA 110 V conversion kit: 18.–
110 V bulbs are not included





LONEA

floor lamp

height: 180 cm (70.9")
 shade: glass white-opal, Ø 23 cm (9.1")
 lampholder:: E27, max. 250 W
 bulb: 1 x OS E27 Superstar, dimmable
 2452 Lumen, 2700° K, 21 W $\hat{=}$ 150 W
 electric wire: 3 m (9.8 ft)
 dimmer: on cord

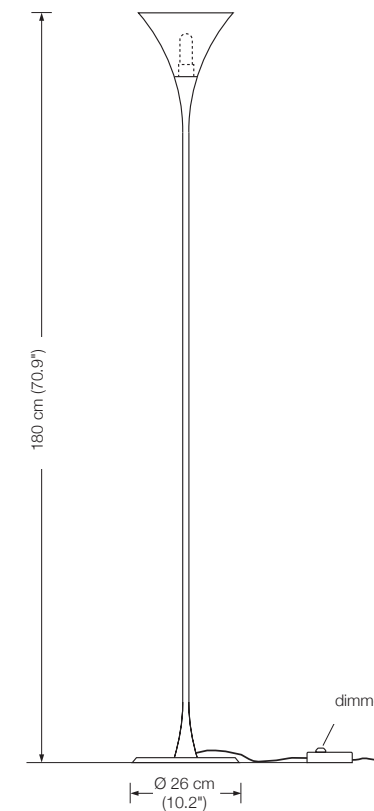
		€
LONEA – Ms	Solid brass polished, lacquered	1121.–
LONEA – Mt	Solid brass matt brushed, lacquered	1234.–
LONEA – Ni	Solid brass, nickel-plated	1121.–
LONEA – Nm	Solid brass nickel-plated, matt brushed	1234.–
LONEA – Cr	Solid brass, chrome-plated	1234.–

Additional USA 110 V conversion kit: 24.–
 110 V bulbs are not included

Energy class floor lamp: A++ to E
 (Depending on the used bulb.)



Ø 23 cm
(9.1")



LONEA SD

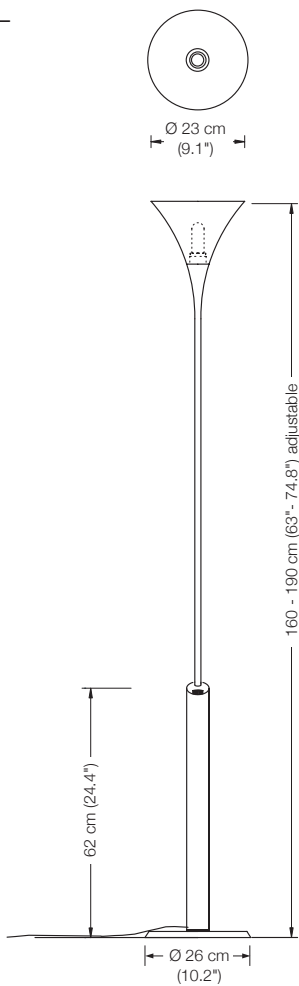
floor lamp

height: 160 - 190 cm (63" - 74.8") adjustable
shade: glass white-opal, Ø 23 cm (9.1")
lampholder:: E27, max. 250 W
bulb: 1 x OS E27 Superstar, dimmable
2452 Lumen, 2700° K, 21 W $\hat{=}$ 150 W
dimmer: built in

		€
LONEA SD – Ms	Solid brass polished, lacquered	1374.–
LONEA SD – Mt	Solid brass matt brushed, lacquered	1512.–
LONEA SD – Ni	Solid brass, nickel-plated	1374.–
LONEA SD – Nm	Solid brass nickel-plated, matt brushed	1512.–
LONEA SD – Cr	Solid brass, chrome-plated	1512.–

Additional USA 110 V conversion kit: 18.–
110 V bulbs are not included

Energy class floor lamp: A++ to E
(Depending on the used bulb.)





MYOS

floor lamp / reading lamp

height:	182 cm (71.7")
width reading lamp:	approx. 50 cm (19.7")
shade floor lamp:	glass white-opal, Ø 26 cm (10.2")
shade reading lamp:	metal Ø 12 cm (4.7"), adjustable
lampholder floor lamp:	E27, max. 250 W
bulb floor lamp:	1 x OS E27 Superstar, dimmable 2452 Lumen, 2700° K, 21 W \triangleq 150 W
lampholder reading lamp:	GY6.35, max. 50 W / 12 V
bulb reading lamp:	OSRAM HALOSTAR ECO 35 W \triangleq 50 W
electric wire:	4 m (13.1 ft)
dimmer:	2 x built in

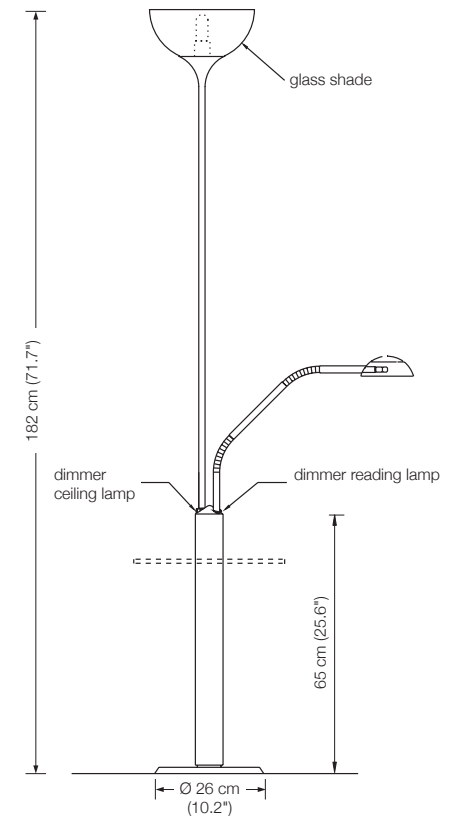
		€
MYOS – Ms	Solid brass polished, lacquered	2134.–
MYOS – Mt	Solid brass matt brushed, lacquered	2347.–
MYOS – Ni	Solid brass, nickel-plated	2134.–
MYOS – Nm	Solid brass nickel-plated, matt brushed	2347.–
MYOS – Cr	Solid brass, chrome-plated	2347.–

glass tabletop Ø 36 cm (14.2"), height 50 cm (19.7"),
clear glass 10 mm (0.4") 300.–

Energy class floor lamp: A++ to E
(Depending on the used bulb.)

Energy class reading lamp: B

Additional USA 110 V conversion kit: 64.–
110 V bulbs are not included



MYOS T 40

floor lamp / reading lamp

height:	182 cm (71.7")
width reading lamp:	approx. 50 cm (19.7")
shade floor lamp:	glass white-opal, Ø 40 cm (15.7")
shade reading lamp:	metal Ø 12 cm (4.7"), adjustable
lampholder floor lamp:	E27, max. 250 W
bulb floor lamp:	1 x OS E27 Parathom, dimmable 1080 Lumen, 2700° K, 11 W $\hat{=}$ 75 W
lampholder reading lamp:	GY6.35, max. 50 W / 12 V
bulb reading lamp:	OSRAM HALOSTAR ECO 35 W $\hat{=}$ 50 W
dimmer:	2 x built in

		€
MYOS T 40 – Ms	Solid brass polished, lacquered	2181.–
MYOS T 40 – Mt	Solid brass matt brushed, lacquered	2399.–
MYOS T 40 – Ni	Solid brass, nickel-plated	2181.–
MYOS T 40 – Nm	Solid brass nickel-plated, matt brushed	2399.–
MYOS T 40 – Cr	Solid brass, chrome-plated	2399.–

glass tabletop Ø 36 cm (14.2"), height 50 cm (19.7"),
clear glass 10 mm (0.4") 300.–

MYOS T 55

floor lamp / reading lamp

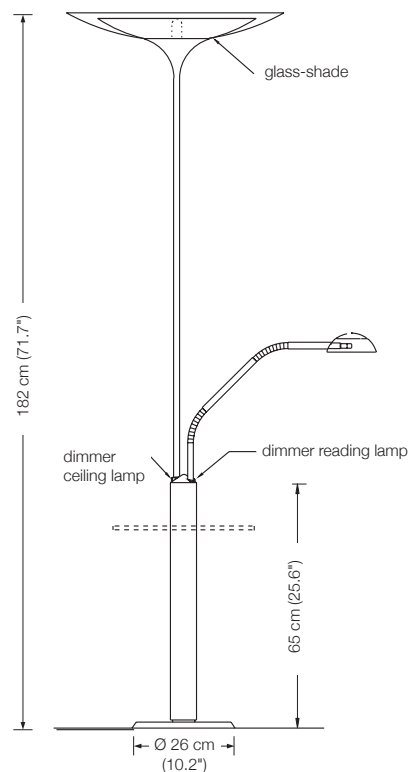
height:	182 cm (71.7")
width reading lamp:	approx. 50 cm (19.7")
shade floor lamp:	glass white-opal, Ø 55 cm (21.7")
shade reading lamp:	metal Ø 12 cm (4.7"), adjustable
lampholder floor lamp:	E27, max. 250 W
bulb floor lamp:	1 x OS E27 Parathom, dimmable 1080 Lumen, 2700° K, 11 W $\hat{=}$ 75 W
lampholder reading lamp:	GY6.35, max. 50 W / 12 V
bulb reading lamp:	OSRAM HALOSTAR ECO 35 W $\hat{=}$ 50 W
dimmer:	2 x built in

		€
MYOS T 55 – Ms	Solid brass polished, lacquered	2188.–
MYOS T 55 – Mt	Solid brass matt brushed, lacquered	2407.–
MYOS T 55 – Ni	Solid brass, nickel-plated	2188.–
MYOS T 55 – Nm	Solid brass nickel-plated, matt brushed	2407.–
MYOS T 55 – Cr	Solid brass, chrome-plated	2407.–

glass tabletop Ø 36 cm (14.2"), height 50 cm (19.7"),
clear glass 10 mm (0.4") 300.–

Energy class floor lamp MYOS T 40 / 55: A++ bis E
(Depending on the used bulb.)

Energy class reading lamp MYOS T 40 / 55: B



Additional USA 110 V conversion kit
(MYOS / MYOS T):
110 V bulbs are not included

64.–





TAOS 55

floor lamp
 height: 160 - 210 cm (63" - 82.7") adjustable
 shade: glass white-opal Ø 55 cm (21.7")
 lampholder: E27, max. 250 W
 bulb: 1 x OS E27 Parathom, dimmable
 1080 Lumen, 2700° K, 11 W ≙ 75 W
 electric wire: 3 m (9.8 ft)
 dimmer: on cord

		€
TAOS 55 – Ms	Solid brass polished, lacquered	1244.–
TAOS 55 – Mt	Solid brass matt brushed, lacquered	1344.–
TAOS 55 – Ni	Solid brass, nickel-plated	1244.–
TAOS 55 – Nm	Solid brass nickel-plated, matt brushed	1344.–
TAOS 55 – Cr	Solid brass, chrome-plated	1344.–

Additional USA 110 V conversion kit: 24.–
 110 V bulbs are not included

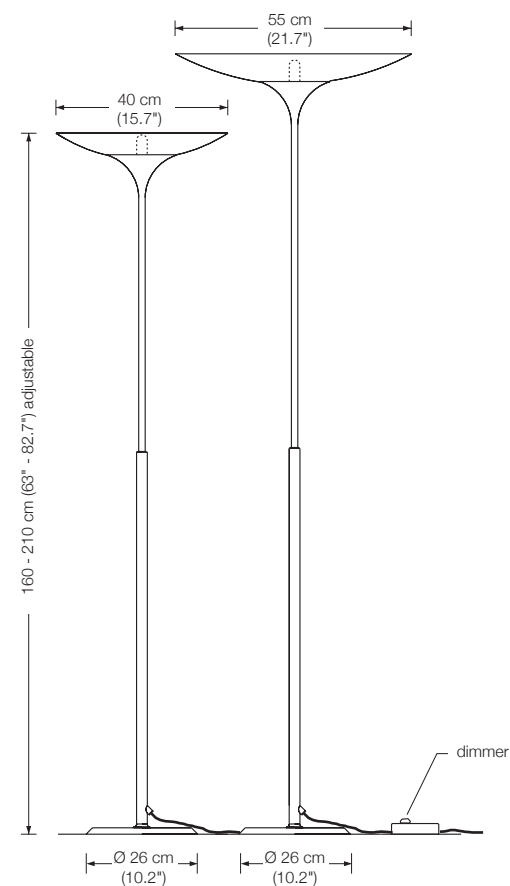
TAOS 40

floor lamp
 height: 160 - 210 cm (63" - 82.7") adjustable
 shade: glass white-opal Ø 40 cm (15.7")
 lampholder: E27, max. 250 W
 bulb: 1 x OS E27 Parathom, dimmable
 1080 Lumen, 2700° K, 11 W ≙ 75 W
 electric wire: 3 m (9.8 ft)
 dimmer: on cord

		€
TAOS 40 – Ms	Solid brass polished, lacquered	1229.–
TAOS 40 – Mt	Solid brass matt brushed, lacquered	1327.–
TAOS 40 – Ni	Solid brass, nickel-plated	1229.–
TAOS 40 – Nm	Solid brass nickel-plated, matt brushed	1327.–
TAOS 40 – Cr	Solid brass, chrome-plated	1327.–

Additional USA 110 V conversion kit: 24.–
 110 V bulbs are not included

Energy class TAOS 55 / 40: A++ to E
 (Depending on the used bulb.)



TAOS 55 SD

floor lamp

height: 160 - 190 cm (63" - 74.8") adjustable

shade: glass white-opal Ø 55 cm (21.7")

lampholder: E27, max. 250 W

bulb: 1 x OS E27 Parathom, dimmable
1080 Lumen, 2700° K, 11 W $\hat{=}$ 75 W

electric wire: 3 m (9.8 ft)

dimmer: built in

		€
TAOS 55 SD – Ms	Solid brass polished, lacquered	1461.–
TAOS 55 SD – Mt	Solid brass matt brushed, lacquered	1577.–
TAOS 55 SD – Ni	Solid brass, nickel-plated	1461.–
TAOS 55 SD – Nm	Solid brass nickel-plated, matt brushed	1577.–
TAOS 55 SD – Cr	Solid brass, chrome-plated	1577.–

Additional USA 110 V conversion kit: 12.–
110 V bulbs are not included

TAOS 40 SD

floor lamp

height: 160 - 190 cm (63" - 74.8") adjustable

shade: glass white-opal Ø 40 cm (15.7")

lampholder: E27, max. 250 W

bulb: 1 x OS E27 Parathom, dimmable
1080 Lumen, 2700° K, 11 W $\hat{=}$ 75 W

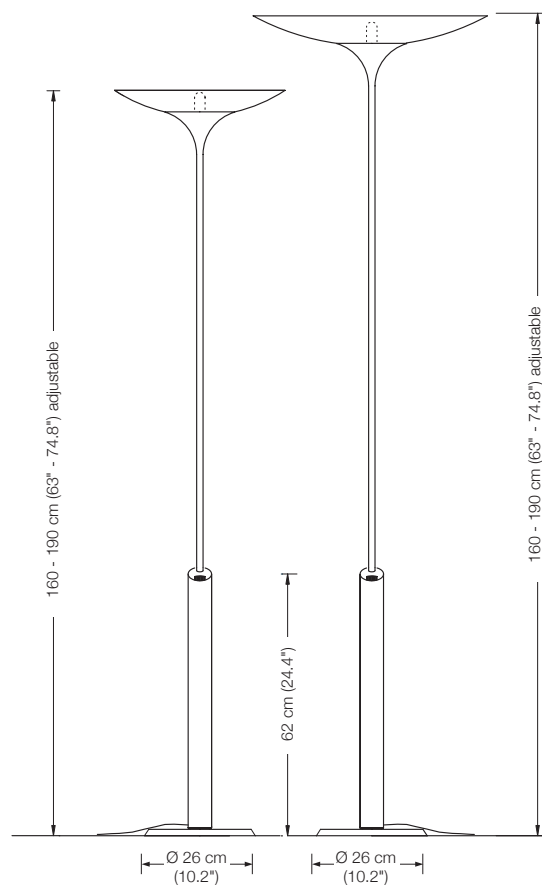
electric wire: 3 m (9.8 ft)

dimmer: built in

		€
TAOS 40 SD – Ms	Solid brass polished, lacquered	1423.–
TAOS 40 SD – Mt	Solid brass matt brushed, lacquered	1536.–
TAOS 40 SD – Ni	Solid brass, nickel-plated	1423.–
TAOS 40 SD – Nm	Solid brass nickel-plated, matt brushed	1536.–
TAOS 40 SD – Cr	Solid brass, chrome-plated	1536.–

Additional USA 110 V conversion kit: 12.–
110 V bulbs are not included

Energy class TAOS 55 SD / 40 SD: A++ to E
(Depending on the used bulb.)





UNA

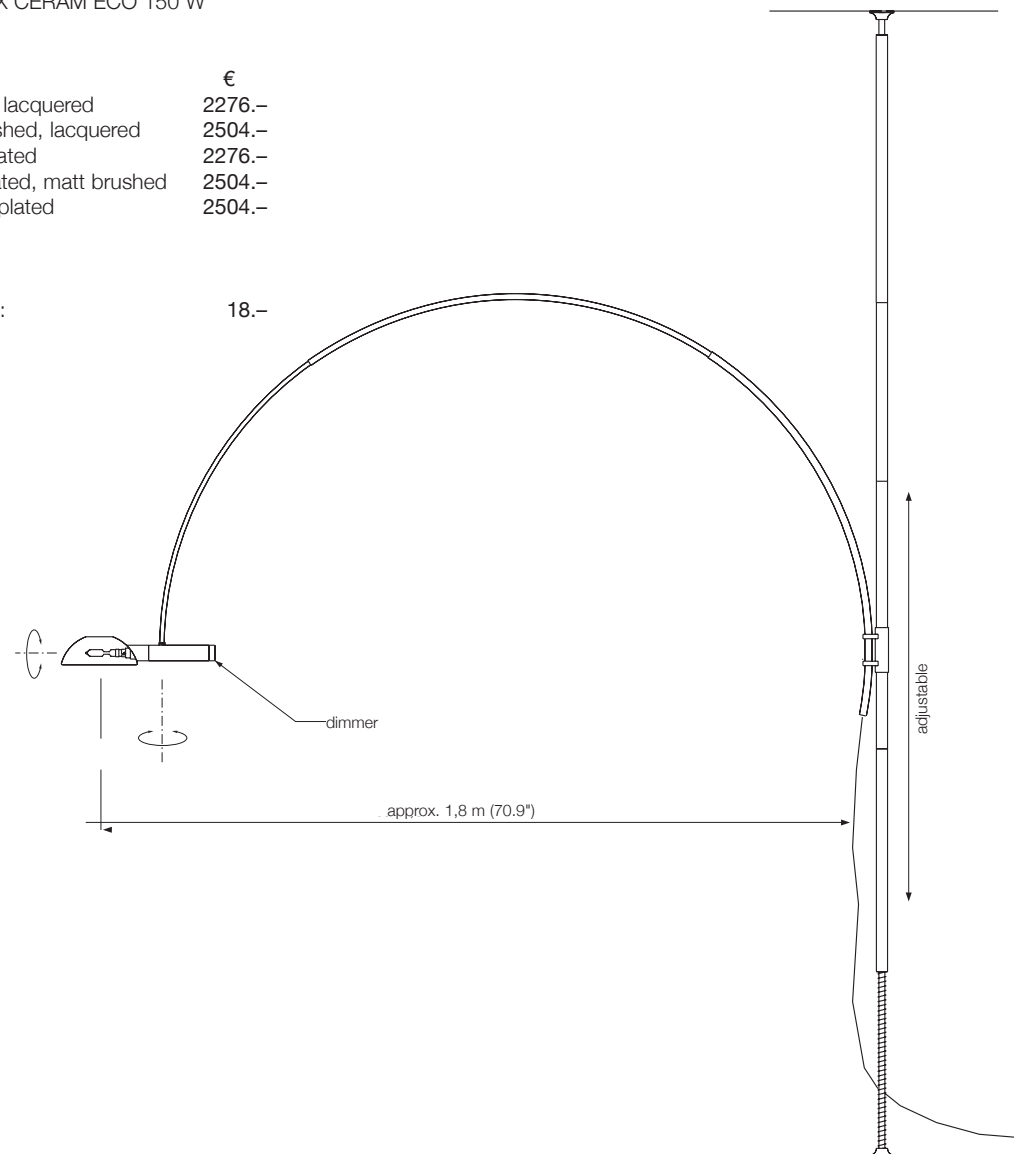
arc floor lamp
 mounting between floor and ceiling
 variable up to 3.20 m (126") room height
 arc height adjustable

shade: metal, Ø 17 cm (6.7"), rotatable
 lampholder: B15d, max. 250 W
 bulb: OSRAM HALOLUX CERAM ECO 150 W
 electric wire: 5 m (16.4 ft)
 dimmer: built in

		€
UNA – Ms	Solid brass polished, lacquered	2276.–
UNA – Mt	Solid brass matt brushed, lacquered	2504.–
UNA – Ni	Solid brass, nickel-plated	2276.–
UNA – Nm	Solid brass nickel-plated, matt brushed	2504.–
UNA – Cr	Solid brass, chrome-plated	2504.–

Energy class: D

Additional USA 110 V conversion kit: 18.–



STE

floor reading lamp

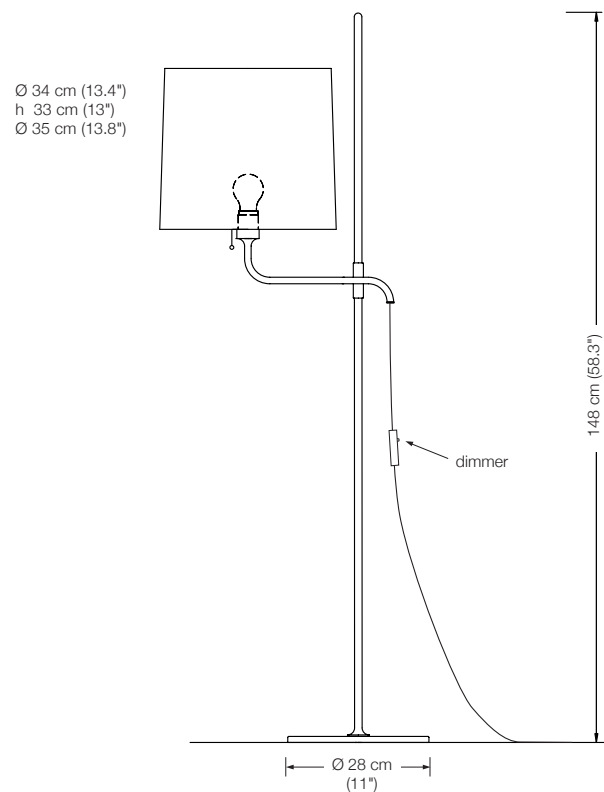
height: adjustable
shade: silk*
lampholder: E27, max. 250 W
bulb: 1 x OS E27 Parathom, dimmable
1080 Lumen, 2700° K, 11 W $\hat{=}$ 75 W
electric wire: 3 m (9.8 ft) textile cable black (standard)
dimmer: on cord

		€
STE – Ms	Solid brass polished, lacquered	1034.–
STE – Mt	Solid brass matt brushed, lacquered	1117.–
STE – Ni	Solid brass, nickel-plated	1034.–
STE – Nm	Solid brass nickel-plated, matt brushed	1117.–
STE – Cr	Solid brass, chrome-plated	1117.–

Additional USA 110 V conversion kit: 24.–

Energy class: A++ to E
(Depending on the used bulb.)

* fabric required: 120 x 60 cm (47.2" x 23.6")





DROP

floor reading lamp / piano light

height: adjustable from 80 – 135 cm (31.5" – 53.1")

width: 70 cm (27.6")

shade: Ø 3 cm (1.2"), approx. 34 cm (13.4") long, 180° rotatable

bulb: LED-Line TW (approx. 18,6 W) incl., exchangeable
approx. 1800 Lumen

color temperature: infinitely variable from 2700° – 5700° K

push button 1: tuning white

push button 2: on / off / dimming

colour rendering: > 92 Ra

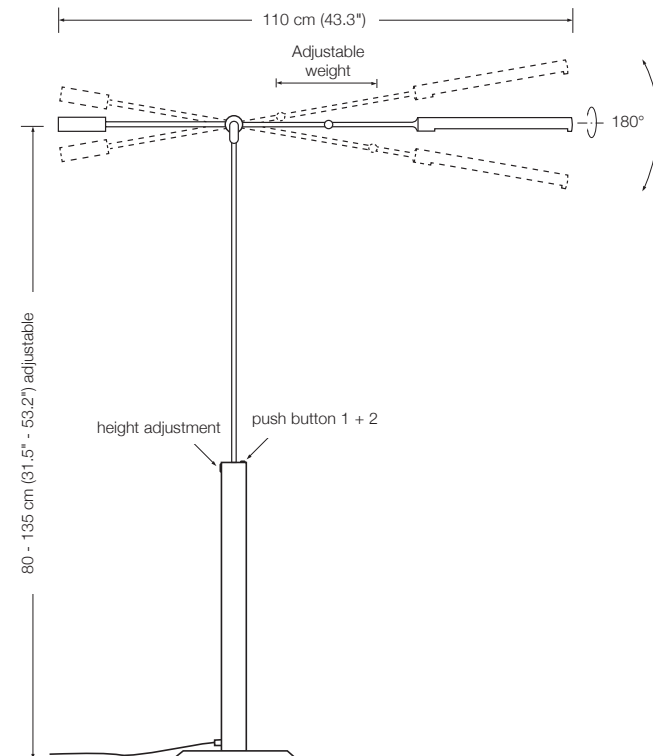
electric wire: 2,5 m (8.2 ft)

dimmer: built in

		€
DROP – Ms	Solid brass polished, lacquered	1592.–
DROP – Mt	Solid brass matt brushed, lacquered	1751.–
DROP – Ni	Solid brass, nickel-plated	1592.–
DROP – Nm	Solid brass nickel-plated, matt brushed	1751.–
DROP – Cr	Solid brass, chrome-plated	1751.–

US Plug Adapter: 20.–

Energy class: A++ to A







PIN

floor reading lamp

height: 100 - 135 cm (39.4" - 53.2") adjustable

width: approx. 52 cm (20.5")

bulb: LED-Line 150 (approx. 6,4 Watt) incl.

exchangeable

approx. 650 Lumen

color temperature: warmwhite 2700 Kelvin

colour rendering: > 90 Ra

electric wire: 3 m (9.8 ft)

PIN – Ms	Solid brass polished, lacquered	€ 861.–
PIN – Mt	Solid brass matt brushed, lacquered	945.–
PIN – Ni	Solid brass, nickel-plated	861.–
PIN – Nm	Solid brass nickel-plated, matt brushed	945.–
PIN – Cr	Solid brass, chrome-plated	945.–

Additional USA 110 V conversion kit: 31.–

Energy class: A++ to A

PIN d

floor reading lamp

height: 105 - 140 cm (41.3" - 55.1") adjustable

width: approx. 52 cm (20.5")

bulb: LED-Line 150 (approx. 8,4 Watt) incl.

exchangeable

approx. 840 Lumen

color temperature: warmwhite 2700 Kelvin

colour rendering: > 90 Ra

electric wire: 3 m (9.8 ft)

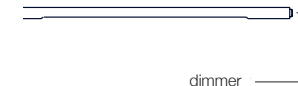
dimmer: built in

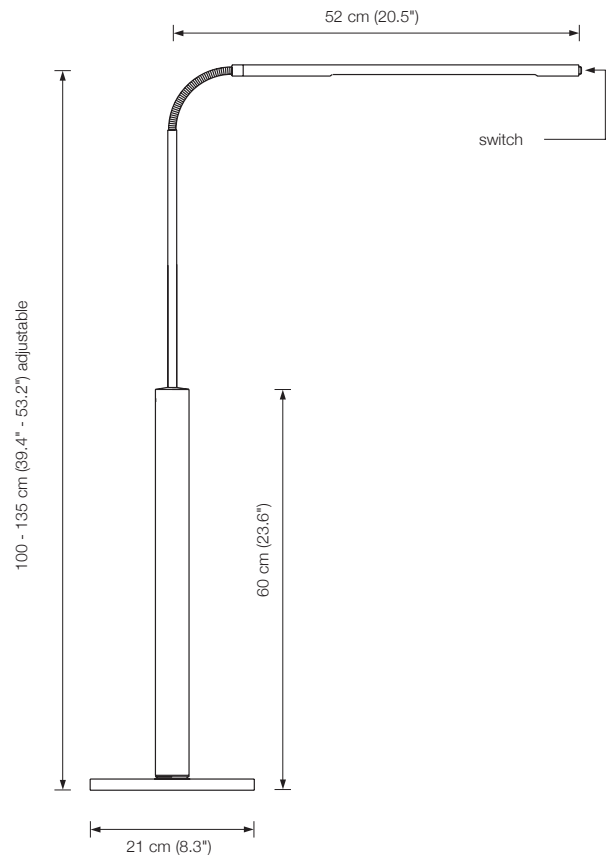
PIN d – Ms	Solid brass polished, lacquered	€ 987.–
PIN d – Mt	Solid brass matt brushed, lacquered	1082.–
PIN d – Ni	Solid brass, nickel-plated	987.–
PIN d – Nm	Solid brass nickel-plated, matt brushed	1082.–
PIN d – Cr	Solid brass, chrome-plated	1082.–

Additional USA 110 V conversion kit: 42.–

US Plug Adapter: 20.–

Energy class: A++ to A







INAS

floor reading lamp

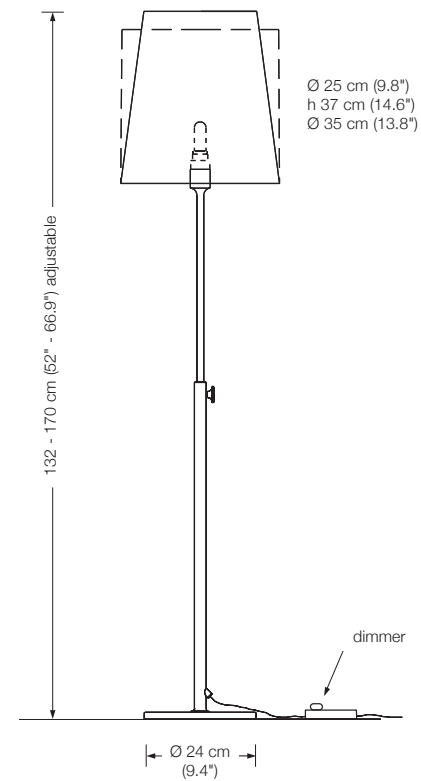
height: 132 - 170 cm (52" - 66.9") adjustable
 shade: silk, conical or straight*
 lampholder: E27, max. 250 W
 bulb: 1 x OS E27 Parathom, dimmable
 1080 Lumen, 2700° K, 11 W $\hat{=}$ 75 W
 electric wire: 4 m (13.1 ft)
 dimmer: on cord

		€
INAS – Ms	Solid brass polished, lacquered	1044.–
INAS – Mt	Solid brass matt brushed, lacquered	1128.–
INAS – Ni	Solid brass, nickel-plated	1044.–
INAS – Nm	Solid brass nickel-plated, matt brushed	1128.–
INAS – Cr	Solid brass, chrome-plated	1128.–

Energy class: A++ to E
 (Depending on the used bulb.)

Additional USA 110 V conversion kit: 24.–
 110 V bulbs not incl.

* Please indicate with order.
 fabric required: 120 x 60 cm (47.3" x 23.6")



INAS SD

floor reading lamp

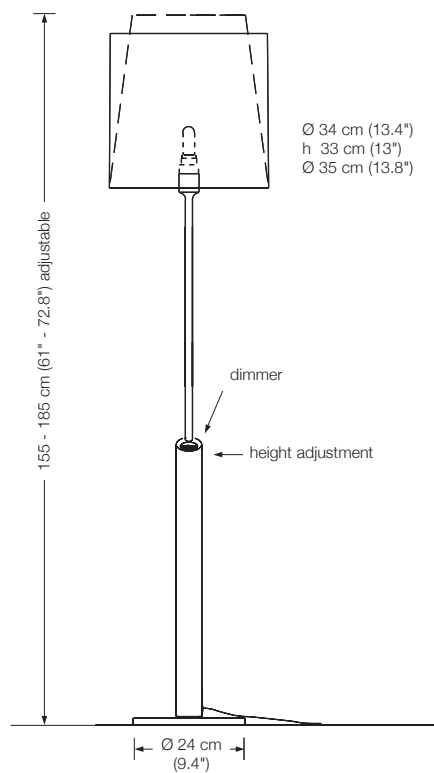
height: 155 - 185 cm (61" - 72.8") adjustable
 shade: silk, conical or straight*
 lampholder: E27, max. 250 W
 bulb: 1 x OS E27 Parathom, dimmable
 1080 Lumen, 2700° K, 11 W $\hat{=}$ 75 W
 electric wire: 4 m (13.1 ft)
 dimmer: built in

		€
INAS SD – Ms	Solid brass polished, lacquered	1281.–
INAS SD – Mt	Solid brass matt brushed, lacquered	1407.–
INAS SD – Ni	Solid brass, nickel-plated	1281.–
INAS SD – Nm	Solid brass nickel-plated, matt brushed	1407.–
INAS SD – Cr	Solid brass, chrome-plated	1407.–

Energy class: A++ to E
 (Depending on the used bulb.)

Additional USA 110 V conversion kit: 12.–
 110 V bulbs not incl.

* Please indicate with order.
 fabric required: 120 x 60 cm (47.3" x 23.6")





YON

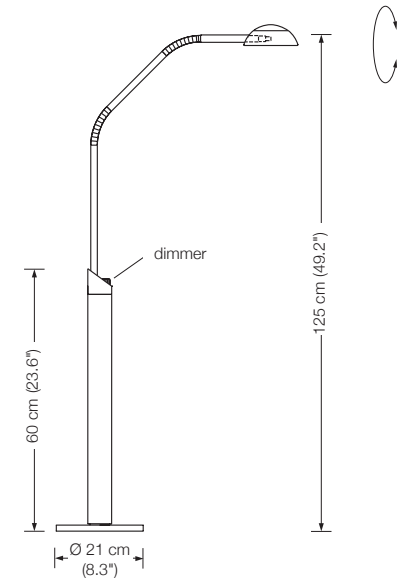
floor reading lamp

height: adjustable
 shade: metal Ø 12 cm (4.7"), rotatable
 lampholder: GY6.35, max. 50 W / 12 V
 bulb: OSRAM HALOSTAR ECO 35 W \triangleq 50 W
 electric wire: 4 m (13.1 ft)
 dimmer: on cord

YON – Ms	Solid brass polished, lacquered	€ 1197.–
YON – Mt	Solid brass matt brushed, lacquered	1317.–
YON – Ni	Solid brass, nickel-plated	1197.–
YON – Nm	Solid brass nickel-plated, matt brushed	1317.–
YON – Cr	Solid brass, chrome-plated	1317.–

Energy class: B

Additional USA 110 V conversion kit: 64.–



YON G

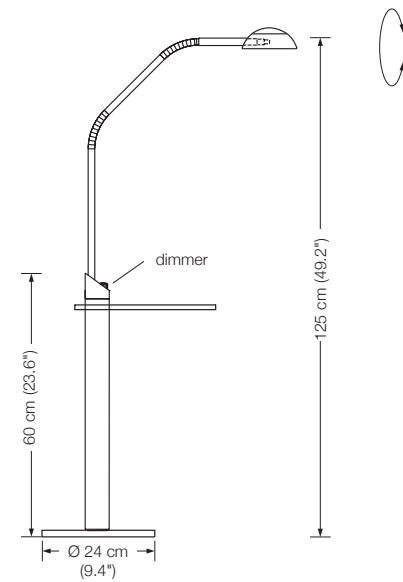
floor reading lamp

with glass tabletop Ø 30 cm (11.8"), clear glass
 height: adjustable
 shade: metal Ø 12 cm (4.7"), rotatable
 lampholder: GY6.35, max. 50 W / 12 V
 bulb: OSRAM HALOSTAR ECO 35 W \triangleq 50 W
 electric wire: 4 m (13.1 ft)
 dimmer: on cord

YON G – Ms	Solid brass polished, lacquered	€ 1323.–
YON G – Mt	Solid brass matt brushed, lacquered	1455.–
YON G – Ni	Solid brass, nickel-plated	1323.–
YON G – Nm	Solid brass nickel-plated, matt brushed	1455.–
YON G – Cr	Solid brass, chrome-plated	1455.–

Energy class: B

Additional USA 110 V conversion kit: 64.–







CERVANTES

floor reading lamp

height: 80 - 120 cm (31.5" - 47.2") adjustable

shade: metal, rotatable

lampholder: E27, max. 100 W

bulb: 1 x OS E27 Parathom, dimmable
1080 Lumen, 2700° K, 11 W $\hat{=}$ 75 W

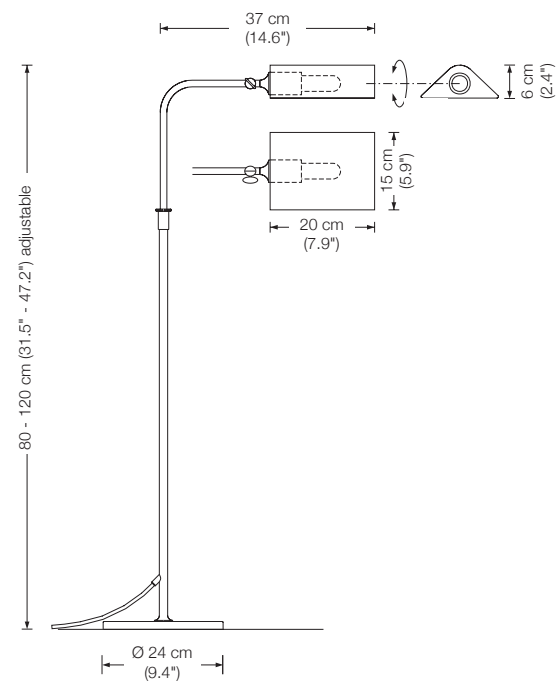
electric wire: 4 m (13.1 ft)

dimmer: on cord

		€
CERVANTES – Ms	Solid brass polished, lacquered	992.–
CERVANTES – Mt	Solid brass matt brushed, lacquered	1092.–
CERVANTES – Ni	Solid brass, nickel-plated	992.–
CERVANTES – Nm	Solid brass nickel-plated, matt brushed	1092.–
CERVANTES – Cr	Solid brass, chrome-plated	1092.–

Additional USA 110 V conversion kit: 12.–
110 V bulbs not incl.

Energy class: A++ to E
(Depending on the used bulb.)





LESAN M

floor reading lamp

height: 90 - 135 cm (35.4" - 53.1") adjustable
 shade: metal Ø 28 cm (11")
 lampholder: E27, max. 100 W
 bulb: 1 x OS E27 Parathom, dimmable
 1080 Lumen, 2700° K, 11 W $\hat{=}$ 75 W
 electric wire: 3 m (9.8 ft)
 dimmer: on cord

		€
LESAN M – Ms	Solid brass polished, lacquered	1204.–
LESAN M – Mt	Solid brass matt brushed, lacquered	1325.–
LESAN M – Ni	Solid brass, nickel-plated	1204.–
LESAN M – Nm	Solid brass nickel-plated, matt brushed	1325.–
LESAN M – Cr	Solid brass, chrome-plated	1325.–

Energy class: A++ to E
 (Depending on the used bulb.)

Additional USA 110 V conversion kit: 24.–
 110 V bulbs not incl.

LESAN S

floor reading lamp

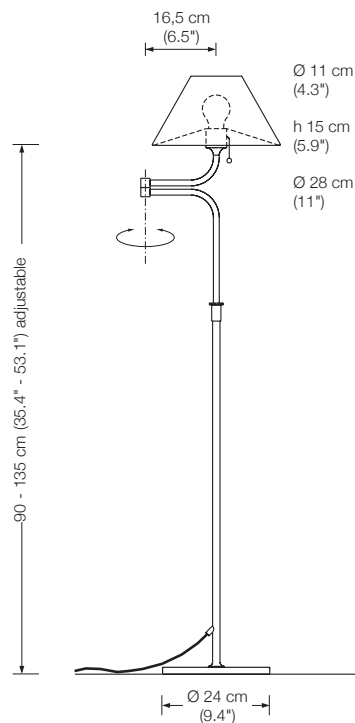
height: 90 - 135 cm (35.4" - 53.1") adjustable
 shade: silk* Ø 28 cm (11")
 lampholder: E27, max. 100 W
 bulb: 1 x OS E27 Parathom, dimmable
 1080 Lumen, 2700° K, 11 W $\hat{=}$ 75 W
 electric wire: 3 m (9.8 ft)
 dimmer: on cord

		€
LESAN S – Ms	Solid brass polished, lacquered	1047.–
LESAN S – Mt	Solid brass matt brushed, lacquered	1120.–
LESAN S – Ni	Solid brass, nickel-plated	1047.–
LESAN S – Nm	Solid brass nickel-plated, matt brushed	1120.–
LESAN S – Cr	Solid brass, chrome-plated	1120.–

Energy class: A++ to E
 (Depending on the used bulb.)

Additional USA 110 V conversion kit: 24.–
 110 V bulbs not incl.

* fabric required: 50 x 80 cm (19.7" x 31.5")





TOPAN

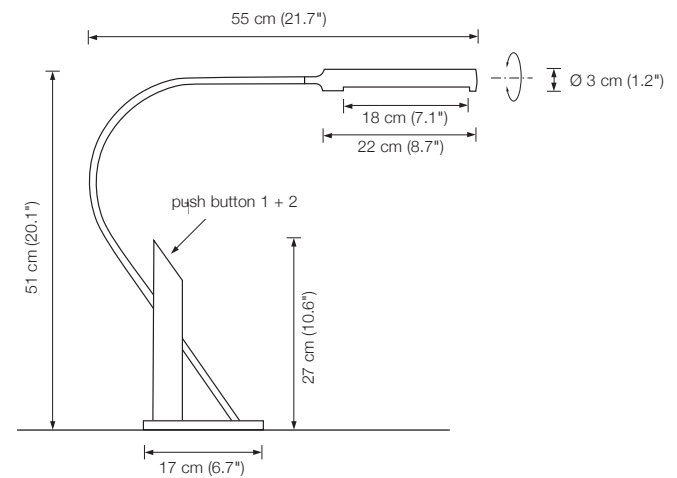
table lamp

height: 51 cm (20.1")
 width: 55 cm (21.7")
 shade: Ø 3 cm (1.2"), approx. 23 cm (9.1") long, 180° rotatable
 bulb: LED-Line TW (approx. 12,5 W) incl., exchangeable
 approx. 1330 Lumen
 color temperature: infinitely variable from 2700° – 5700° K
 push button 1: tuning white
 push button 2: on / off / dimming
 colour rendering: > 92 Ra
 electric wire: 2,5 m (8.2 ft)
 dimmer: built in

		€
TOPAN – Ms	Solid brass polished, lacquered	1340.–
TOPAN – Mt	Solid brass matt brushed, lacquered	1480.–
TOPAN – Ni	Solid brass, nickel-plated	1340.–
TOPAN – Nm	Solid brass nickel-plated, matt brushed	1480.–
TOPAN – Cr	Solid brass, chrome-plated	1480.–

US Plug Adapter: 20.–

Energy class: A++ to A



TOLED

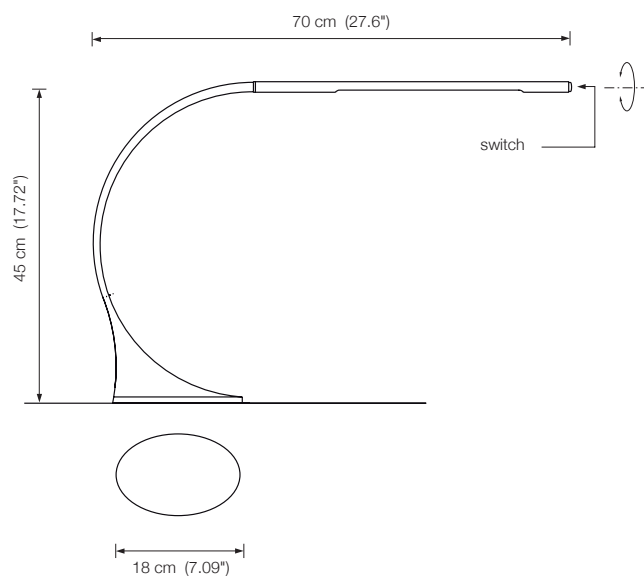
desk lamp

height: 45 cm (17.7")
 width: 70 cm (27.6")
 shade: rotatable
 bulb: LED-Line 150 (approx. 6 Watt) incl.
 exchangeable
 approx. 600 Lumen
 color temperature: warmwhite 2700 Kelvin
 colour rendering: > 90 Ra
 electric wire: 2,5 m (8.2 ft)

		€
TOLED – Ms	Solid brass polished, lacquered	1340.–
TOLED – Mt	Solid brass matt brushed, lacquered	1480.–
TOLED – Ni	Solid brass, nickel-plated	1340.–
TOLED – Nm	Solid brass nickel-plated, matt brushed	1480.–
TOLED – Cr	Solid brass, chrome-plated	1480.–

Energy class: A++ to A

Additional USA 110 V conversion kit: 31.–





PIN T

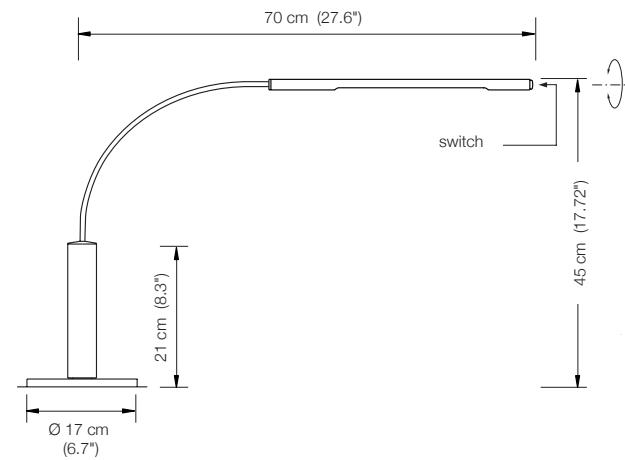
desk lamp

height: 45 cm (17.7")
width: 70 cm (27.6")
shade: rotatable
bulb: LED-Line 150 (approx. 6 Watt) incl.
exchangeable
approx. 600 Lumen
color temperature: warmwhite 2700 Kelvin
colour rendering: > 90 Ra
electric wire: 3 m (9.8 ft)

		€
PIN T – Ms	Solid brass polished, lacquered	882.–
PIN T – Mt	Solid brass matt brushed, lacquered	966.–
PIN T – Ni	Solid brass, nickel-plated	882.–
PIN T – Nm	Solid brass nickel-plated, matt brushed	966.–
PIN T – Cr	Solid brass, chrome-plated	966.–

Energy class: A++ to A

Additional USA 110 V conversion kit: 31.–



YON T

table lamp

shade: metal Ø 12 cm (4.7"), adjustable

lampholder: GY 6.35, max. 50 W / 12 V

bulb: OSRAM HALOSTAR ECO 35 W $\hat{=}$ 50 W

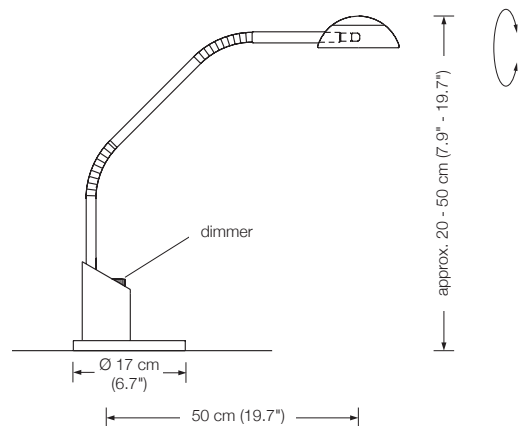
electric wire: 2,5 m (8.2 ft)

dimmer: built in

		€
YON T – Ms	Solid brass polished, lacquered	1232.–
YON T – Mt	Solid brass matt brushed, lacquered	1355.–
YON T – Ni	Solid brass, nickel-plated	1232.–
YON T – Nm	Solid brass nickel-plated, matt brushed	1355.–
YON T – Cr	Solid brass, chrome-plated	1355.–

Energy class: B

Additional USA 110 V conversion kit: 64.–





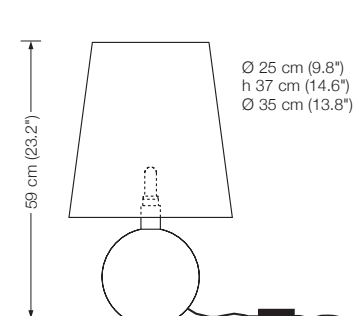
ORA 20

table lamp
 metal ball Ø 20 cm (7.9")
 height: 59 cm (23.2")
 shade: silk*
 lampholder: E27, max. 150 W
 bulb: 1 x OS E27 Parathom, dimmable
 1080 Lumen, 2700° K, 11 W ≙ 75 W
 electric wire: 3 m (9.8 ft)
 dimmer: on cord

ORA 20 – Ms	Solid brass polished, lacquered	€ 928.–
ORA 20 – Mt	Solid brass matt brushed, lacquered	€ 1003.–
ORA 20 – Ni	Solid brass, nickel-plated	€ 928.–
ORA 20 – Nm	Solid brass nickel-plated, matt brushed	€ 1003.–
ORA 20 – Cr	Solid brass, chrome-plated	€ 1003.–

Additional USA 110 V conversion kit: € 12.–
 110 V bulbs not included

* fabric required: 120 x 60 cm (47.2" x 23.6")



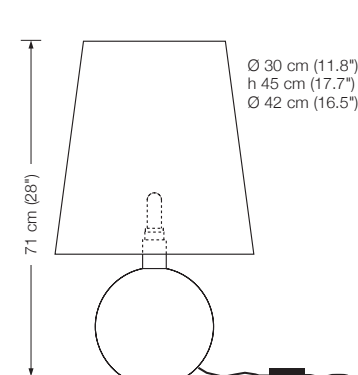
ORA 25

table lamp
 metal ball Ø 25 cm (9.8")
 height: 71 cm (28")
 shade: silk*
 lampholder: E27, max. 150 W
 bulb: 1 x OS E27 Parathom, dimmable
 1080 Lumen, 2700° K, 11 W ≙ 75 W
 electric wire: 3 m (9.8 ft)
 dimmer: on cord

ORA 25 – Ms	Solid brass polished, lacquered	€ 1037.–
ORA 25 – Mt	Solid brass matt brushed, lacquered	€ 1120.–
ORA 25 – Ni	Solid brass, nickel-plated	€ 1037.–
ORA 25 – Nm	Solid brass nickel-plated, matt brushed	€ 1120.–
ORA 25 – Cr	Solid brass, chrome-plated	€ 1120.–

Additional USA 110 V conversion kit: € 12.–
 110 V bulbs not included

* fabric required: 140 x 70 cm (55.1" x 27.6")



Energy class ORA 20 / 25: A++ to E
 (Depending on the used bulb.)

ELAS

table lamp

height: 50 - 70 cm (19.7" - 27.6") adjustable
 shade: metal Ø 28 cm (11")
 lampholder: E27, max. 100 W
 bulb: 1 x OS E27 Parathom, dimmable
 1080 Lumen, 2700° K, 11 W $\hat{=}$ 75 W
 electric wire: 2,5 m (8.2 ft)
 dimmer: on cord

		€
ELAS – Ms	Solid brass polished, lacquered	933.–
ELAS – Mt	Solid brass matt brushed, lacquered	1027.–
ELAS – Ni	Solid brass, nickel-plated	933.–
ELAS – Nm	Solid brass nickel-plated, matt brushed	1027.–
ELAS – Cr	Solid brass, chrome-plated	1027.–

Energy class: A++ to E
 (Depending on the used bulb.)

Additional USA 110 V conversion kit 24.–
 110 V bulbs not included

ELAS S

table lamp

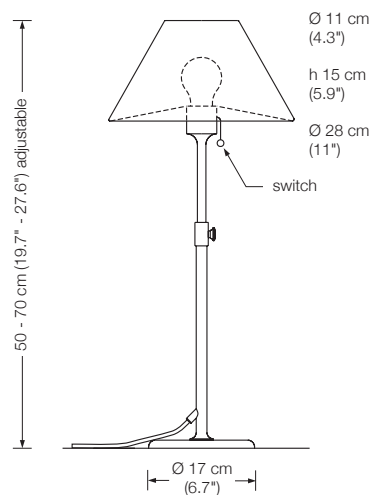
height: 50 - 70 cm (19.7" - 27.6") adjustable
 shade: silk* Ø 28 cm (11")
 lampholder: E27, max. 100 W
 bulb: 1 x OS E27 Parathom, dimmable
 1080 Lumen, 2700° K, 11 W $\hat{=}$ 75 W
 electric wire: 2,5 m (8.2 ft)
 dimmer: on cord

		€
ELAS S – Ms	Solid brass polished, lacquered	717.–
ELAS S – Mt	Solid brass matt brushed, lacquered	768.–
ELAS S – Ni	Solid brass, nickel-plated	717.–
ELAS S – Nm	Solid brass nickel-plated, matt brushed	768.–
ELAS S – Cr	Solid brass, chrome-plated	768.–

Energy class: A++ to E
 (Depending on the used bulb.)

Additional USA 110 V conversion kit 24.–
 110 V bulbs not included

* fabric required: 50 x 80 cm (19.7" x 31.5")





TOA

table lamp

flexible and specially reinforced metal arm

height: up to max. 50 cm (19.7")

shade: TEFLON white, Ø 7 cm (2.8")

lampholder: GY6.35, max. 20 W / 12 V

Leuchtmittel: OSRAM HALOSTAR ECO 35 W \triangleq 50 W

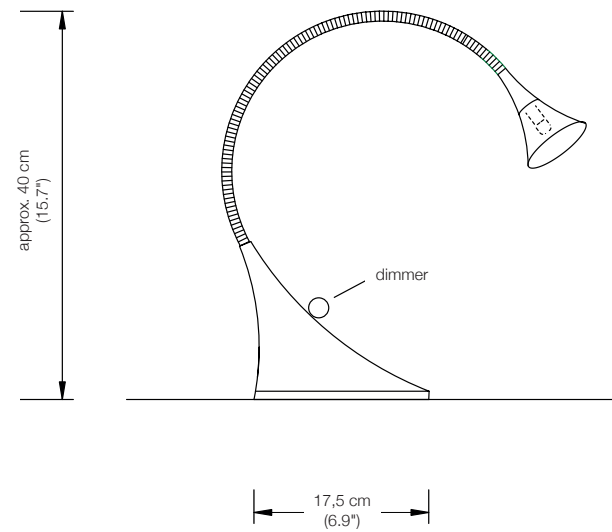
electric wire: 2,5 m (8.2 ft)

dimmer: built in

		€
TOA – Ms	Solid brass polished, lacquered	814.–
TOA – Mt	Solid brass matt brushed, lacquered	896.–
TOA – Ni	Solid brass, nickel-plated	814.–
TOA – Nm	Solid brass nickel-plated, matt brushed	896.–
TOA – Cr	Solid brass, chrome-plated	896.–

Energy class: B

Additional USA 110 V conversion kit: 80.–



ESA

table lamp

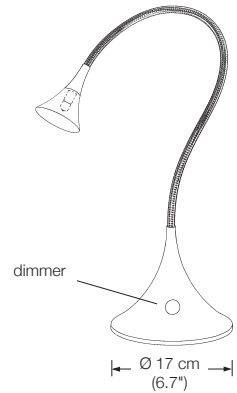
flexible and specially reinforced metal arm

height: up to 50 cm (19.7")
shade: TEFLON white, Ø 7 cm (2.8")
lampholder: GY 6.35, max. 20 W
bulb: OSRAM HALOSTAR IRC 20 W
electric wire: 2,5 m (8.2 ft)
dimmer: built in

		€
ESA – Ms	Solid brass polished, lacquered	610.–
ESA – Mt	Solid brass matt brushed, lacquered	671.–
ESA – Ni	Solid brass, nickel-plated	610.–
ESA – Nm	Solid brass nickel-plated, matt brushed	671.–
ESA – Cr	Solid brass, chrome-plated	671.–

Energy class: C

Additional USA 110 V conversion kit: 80.–





PIN W dim

wall lamp

height: 48 cm (18.9")

width: 65 cm (25.6")

bulb: LED-Line 150 (approx. 8,4 Watt) incl.
exchangeable
approx. 840 Lumen

color temperature: warmwhite 2700 Kelvin

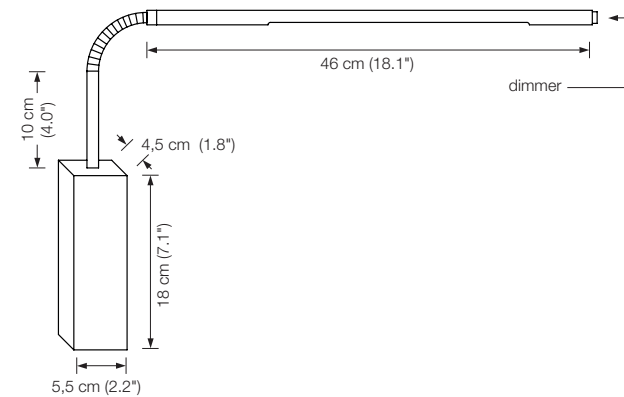
colour rendering: > 90 Ra

dimmer: built in

		€
PIN W dim – Ms	Solid brass polished, lacquered	714.–
PIN W dim – Mt	Solid brass matt brushed, lacquered	785.–
PIN W dim – Ni	Solid brass, nickel-plated	714.–
PIN W dim – Nm	Solid brass nickel-plated, matt brushed	785.–
PIN W dim – Cr	Solid brass, chrome-plated	785.–

Energy class: A++ to A

Additional USA 110 V conversion kit 12.–



WED

wall lamp

width: 40 cm (15.7")

lampholder: GU5.3

bulb: Philips MASTER LEDspot 8 - 50 W incl.

MR16 830 36° DIM

approx. 660 Lumen

color temperature: warmwhite 2700 Kelvin

colour rendering: > 82 Ra

		€
WED – Ms	Solid brass polished, lacquered	609.–
WED – Mt	Solid brass matt brushed, lacquered	670.–
WED – Ni	Solid brass, nickel-plated	609.–
WED – Nm	Solid brass nickel-plated, matt brushed	670.–
WED – Cr	Solid brass, chrome-plated	670.–

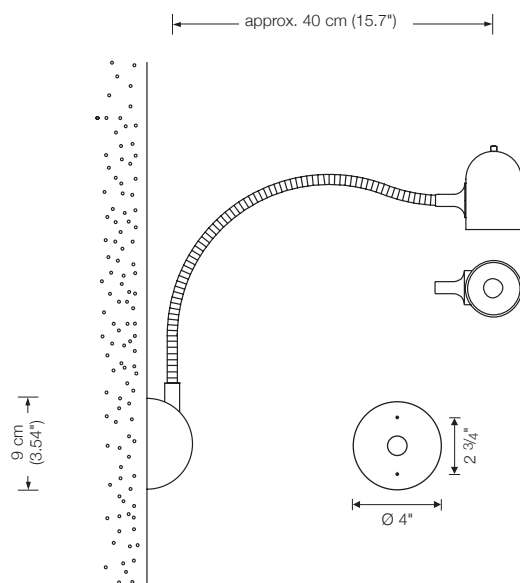
Energy class: A++ to A

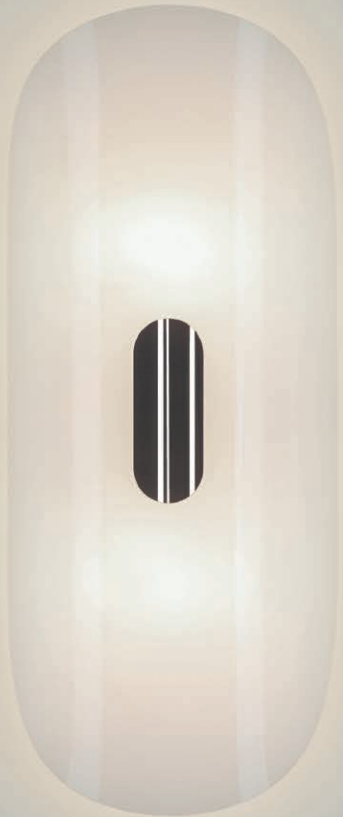
Replacement bulbs can be ordered through VS Manufaktur.

4" junction box: not covered

Backplate Ø 12 cm (4.72") 68.–

Additional USA 110 V conversion kit 12.–





GEA

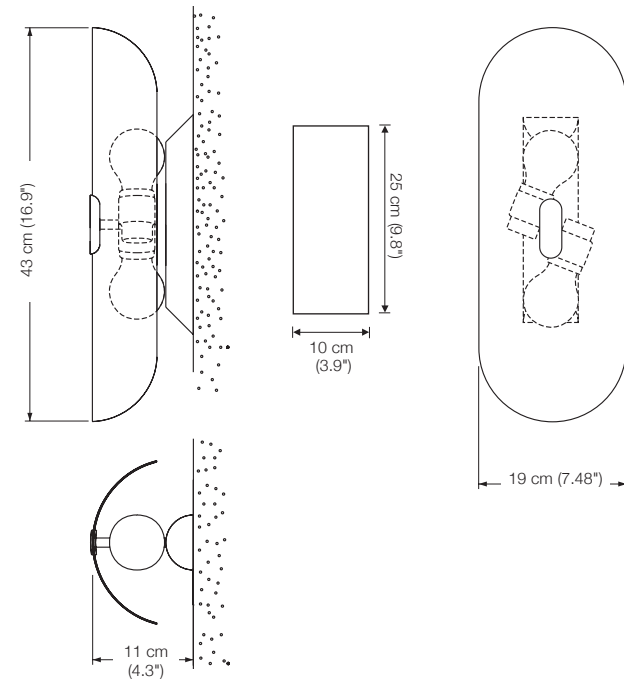
wall lamp
 height: 43 cm (16.9")
 shade: glass white-opal
 lampholder: 2 x E27, max. 2 x 100 W
 bulb: 2 x OS E27 Parathom, dimmable
 à 1080 Lumen, 2700° K, 11 W \triangleq 75 W

		€
GEA – Ms	Solid brass polished, lacquered	618.–
GEA – Mt	Solid brass matt brushed, lacquered	649.–
GEA – Ni	Solid brass, nickel-plated	618.–
GEA – Nm	Solid brass nickel-plated, matt brushed	649.–
GEA – Cr	Solid brass, chrome-plated	649.–

Energy class: A++ to E
 (Depending on the used bulb.)

4" junction box: not covered
 Backplate rectangular 25 x 10 cm (9.8" x 3.9", standard)
 or 25 x 12 cm (9.8" x 4.7", please indicate with order) 166.–

Additional USA 110 V conversion kit: 12.–
 110 V bulbs not included



ALIA

wall lamp
indirect light

height: 47 cm (18.5")
shade: metal
lampholder: 2 x E27, max. 2 x 100 W
bulb: 2 x OS E27 Parathom, dimmable
à 1080 Lumen, 2700° K, 11 W $\hat{=}$ 75 W

		€
ALIA – Ms	Solid brass polished, lacquered	746.–
ALIA – Mt	Solid brass matt brushed, lacquered	820.–
ALIA – Ni	Solid brass, nickel-plated	746.–
ALIA – Nm	Solid brass nickel-plated, matt brushed	820.–
ALIA – Cr	Solid brass, chrome-plated	820.–

Energy class: A++ to E

(Depending on the used bulb.)

4" junction box: not covered

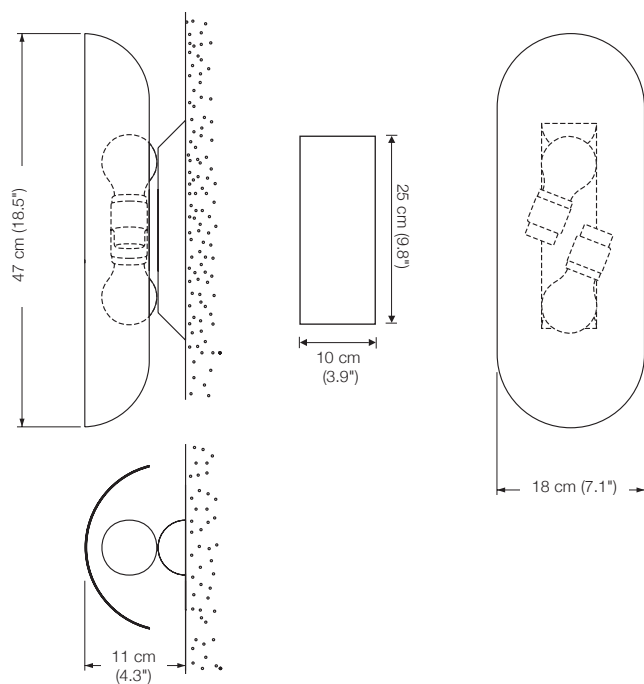
Backplate rectangular 25 x 10 cm (9.8" x 3.9", standard)
or 25 x 12 cm (9.8" x 4.7", please indicate with order)

166.–

Additional USA 110 V conversion kit:

12.–

110 V bulbs not included





BEO

wall and stairway lamp

direct and indirect light

glass diffuser top and bottom

width: 36 cm (14.2")

lampholder: 2 x E27, max. 2 x 100 W

bulb: 2 x OS E27 Parathom, dimmable
à 1080 Lumen, 2700° K, 11 W $\hat{=}$ 75 W

		€
BEO – Ms	Solid brass polished, lacquered	929.–
BEO – Mt	Solid brass matt brushed, lacquered	1023.–
BEO – Ni	Solid brass, nickel-plated	929.–
BEO – Nm	Solid brass nickel-plated, matt brushed	1023.–
BEO – Cr	Solid brass, chrome-plated	1023.–

Energy class: A++ to E

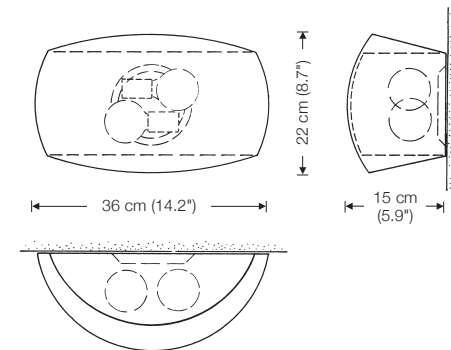
(Depending on the used bulb.)

4" junction box: covered

Additional USA 110 V conversion kit

12.–

110 V bulbs not included



ERA 33

wall lamp

width: 33 cm (13")
 bottom glass diffuser
 lampholder: 2 x G9, max. 2 x 75 W / 230 V
 bulb: 2 x OSRAM HALOPIN ECO 60 W

		€
ERA 33 – Ms	Solid brass polished, lacquered	609.–
ERA 33 – Mt	Solid brass matt brushed, lacquered	670.–
ERA 33 – Ni	Solid brass, nickel-plated	609.–
ERA 33 – Nm	Solid brass nickel-plated, matt brushed	670.–
ERA 33 – Cr	Solid brass, chrome-plated	670.–

additional top glass diffuser 25.–
 Please indicate with order

Energy class: D

4" junction box: not covered
 Additional USA 110 V conversion kit 12.–
 110 V bulbs not included

ERA 40

wall lamp

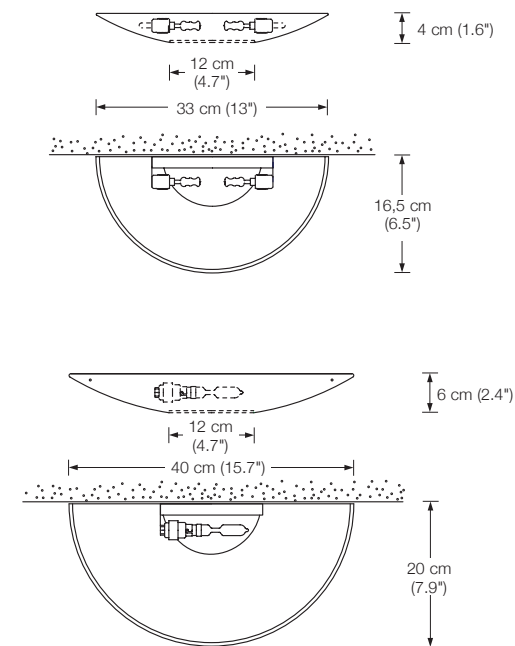
width: 40 cm (15.7")
 bottom glass diffuser
 lampholder: B15d, max. 150 W / 230 V
 bulb: OSRAM HALOLUX CERAM ECO 100 W

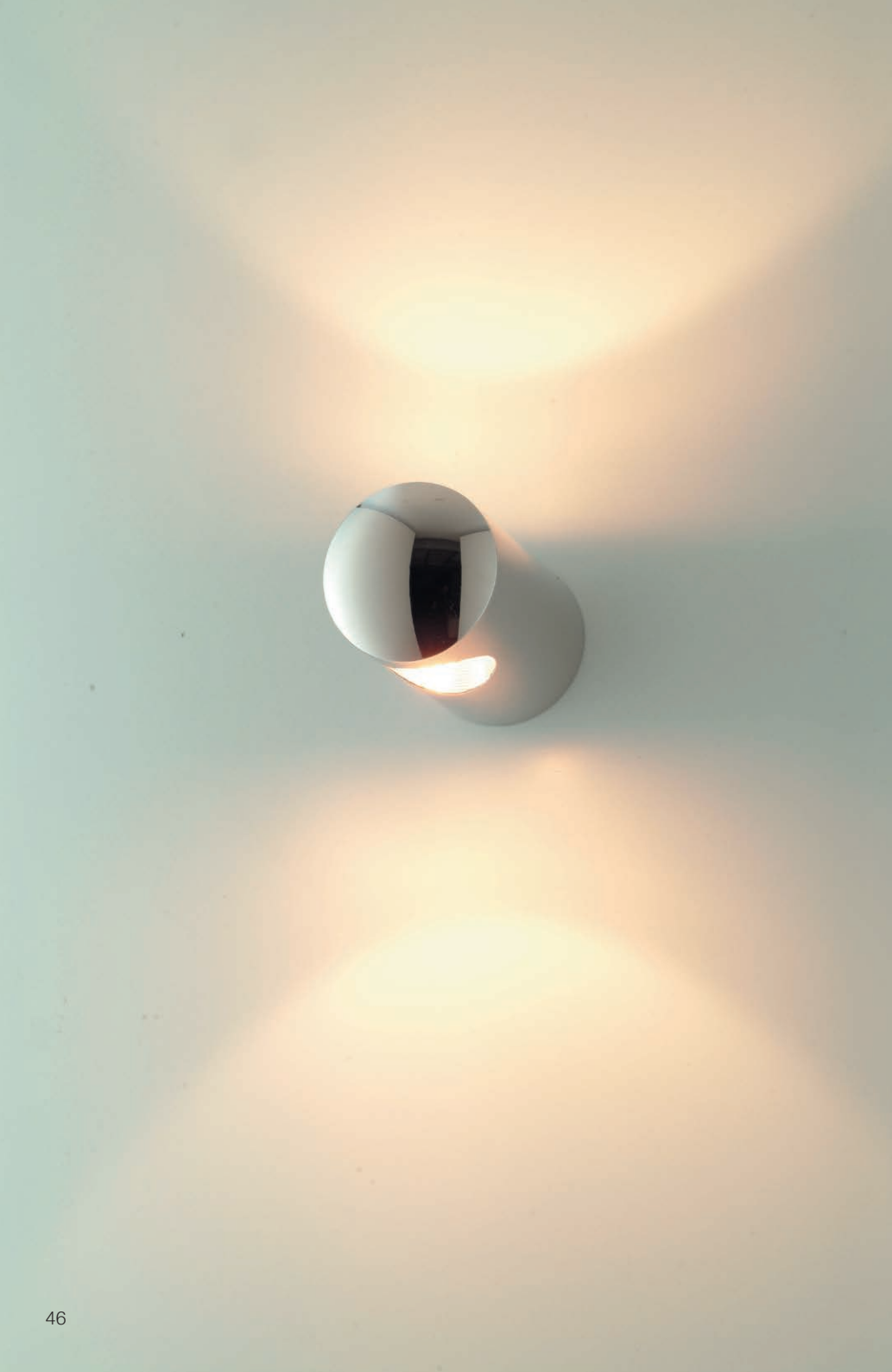
		€
ERA 40 – Ms	Solid brass polished, lacquered	714.–
ERA 40 – Mt	Solid brass matt brushed, lacquered	785.–
ERA 40 – Ni	Solid brass, nickel-plated	714.–
ERA 40 – Nm	Solid brass nickel-plated, matt brushed	785.–
ERA 40 – Cr	Solid brass, chrome-plated	785.–

additional top glass diffuser 27.–
 Please indicate with order

Energy class: D

4" junction box: not covered
 Additional USA 110 V conversion kit 12.–
 110 V bulbs not included





CINA W

wall lamp

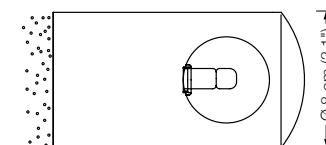
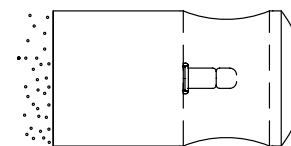
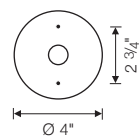
width: approx. 14 cm (5.5")
 lampholder: G9, max 75 W
 bulb: OSRAM HALOPIN ECO 33 W

		€
CINA W – Ms	Solid brass polished, lacquered	620.–
CINA W – Mt	Solid brass matt brushed, lacquered	681.–
CINA W – Ni	Solid brass, nickel-plated	620.–
CINA W – Nm	Solid brass nickel-plated, matt brushed	681.–
CINA W – Cr	Solid brass, chrome-plated	681.–

Energy class: D

Backplate Ø 12 cm (4.72") 68.–

Additional USA 110 V conversion kit 12.–
 110 V bulbs not included



14 cm (5.5")

WIN

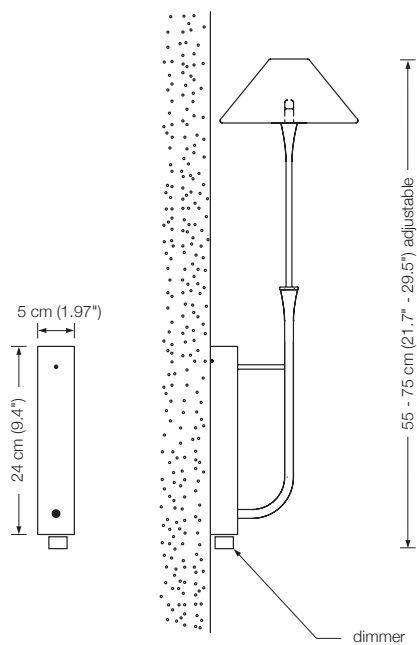
wall lamp

height: 55 - ca. 80 cm (21.7" - 31.5") adjustable
 shade: TEFLON white Ø 18 cm (7.1")
 lampholder: GY 6.35, max. 50 W / 12 V
 bulb: OSRAM HALOSTAR ECO 35 W (equal 50 W)
 dimmer: built in

		€
WIN – Ms	Solid brass polished, lacquered	1043.–
WIN – Mt	Solid brass matt brushed, lacquered	1147.–
WIN – Ni	Solid brass, nickel-plated	1043.–
WIN – Nm	Solid brass nickel-plated, matt brushed	1147.–
WIN – Cr	Solid brass, chrome-plated	1147.–

Energy class: B

Additional USA 110 V conversion kit: 12.–
 110 V bulbs not included





VEA

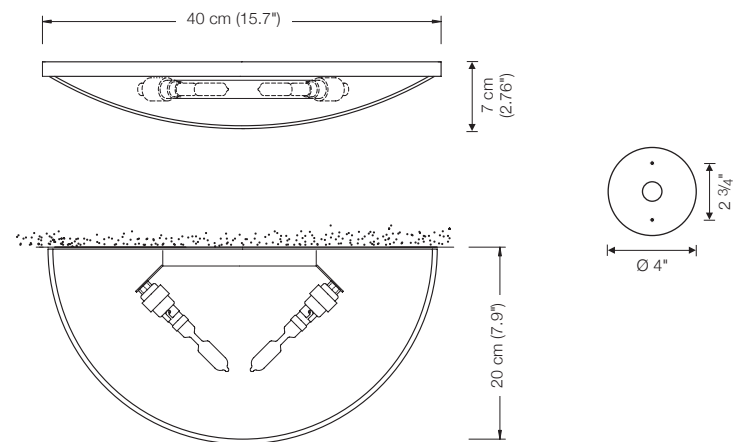
wall lamp

width: 40 cm (15,7")
 shade: glass white-opal
 top glass diffuser
 lampholder:: 2 x B15d, max. 2 x 150 W
 bulb:: 2 x OSRAM HALOLUX CERAM ECO 100 W

		€
VEA – Ms	Solid brass polished, lacquered	918.–
VEA – Mt	Solid brass matt brushed, lacquered	991.–
VEA – Ni	Solid brass, nickel-plated	918.–
VEA – Nm	Solid brass nickel-plated, matt brushed	991.–
VEA – Cr	Solid brass, chrome-plated	991.–

Energy class: D

4" junction box: not covered	
Backplate Ø 12 cm (4.72")	68.–
Additional USA 110 V conversion kit	12.–



VAO

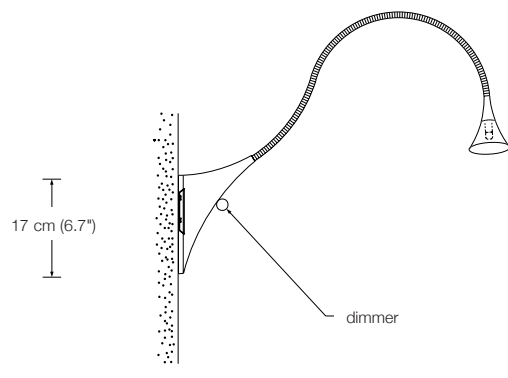
wall lamp
flexible and specially reinforced metal arm

height: approx. 44 cm (17.3")
shade: TEFLON white, Ø 7 cm (2.8")
Fassung: GY6.35, max. 20 W / 12 V
Leuchtmittel: OSRAM HALOSTAR IRC 20 W
dimmer: built in

		€
VAO – Ms	Solid brass polished, lacquered	750.–
VAO – Mt	Solid brass matt brushed, lacquered	824.–
VAO – Ni	Solid brass, nickel-plated	750.–
VAO – Nm	Solid brass nickel-plated, matt brushed	824.–
VAO – Cr	Solid brass, chrome-plated	824.–

Energy class: C

4" junction box: covered
Additional USA 110 V conversion kit 80.–





EREA 55

ceiling lamp

height: standard 60 cm (23.6")
or on request
(min. 40 cm (15.7") to max. 200 cm (78.7"))

shade: glass white-opal Ø 55 cm (21.7")

lampholder: 6 x E14, max. 6 x 60 W

dimmer: possible via house installation or Casambi*

		€
EREA 55 – Ms	Solid brass polished, lacquered	2007.–
EREA 55 – Mt	Solid brass matt brushed, lacquered	2147.–
EREA 55 – Ni	Solid brass, nickel-plated	2007.–
EREA 55 – Nm	Solid brass nickel-plated, matt brushed	2147.–
EREA 55 – Cr	Solid brass, chrome-plated	2147.–

Energy class: A++ to E
(Depending on the used bulb.)

4" junction box: not covered 68.–

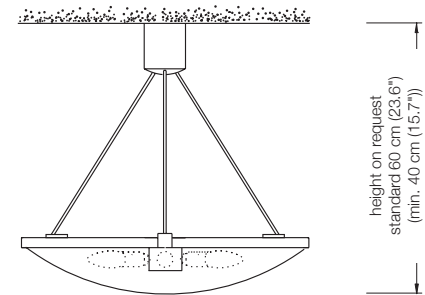
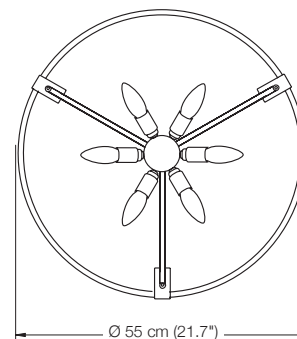
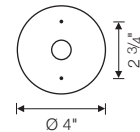
Backplate Ø 12 cm (4.72")

Additional 110 V conversion kit: 36.–

110 V bulbs not included

* We recommend (without obligation) the following dimmer brands:

- GIRA 0307 00/102
- JUNG 1731 DD
- BERKER 2874
- FELLER 40300.RC
- BUSCH-JÄGER 6523U
- ARDITI 027505
- CASAMBI Dimmer 800598 / 800680
- KOPP 8033



EREA 80

ceiling lamp
height:

standard 100 cm (39.4")
or on request
(min. 60 cm (23.6") to max. 200 cm (78.7"))

shade:

glass white-opal Ø 80 cm (31.5")

lampholder:

6 x E27, max. 6 x 205 W

dimmer:

possible via house installation or Casambi*

		€
EREA 80 – Ms	Solid brass polished, lacquered	2074.–
EREA 80 – Mt	Solid brass matt brushed, lacquered	2219.–
EREA 80 – Ni	Solid brass, nickel-plated	2074.–
EREA 80 – Nm	Solid brass nickel-plated, matt brushed	2219.–
EREA 80 – Cr	Solid brass, chrome-plated	2219.–

Energy class: A++ to E

(Depending on the used bulb.)

4" junction box: not covered

Backplate Ø 12 cm (4.72")

Additional 110 V conversion kit:

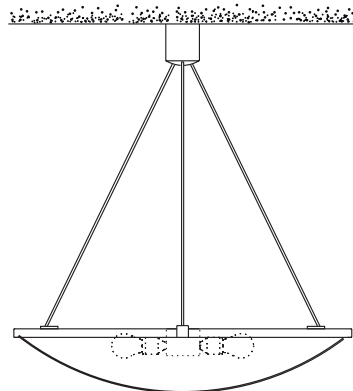
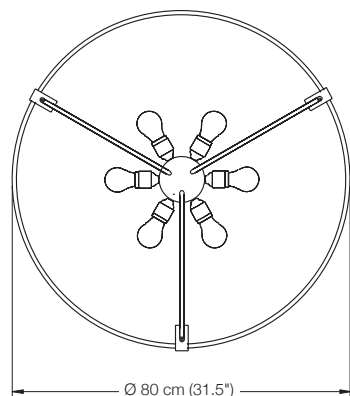
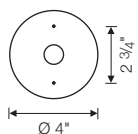
110 V bulbs not included

68.–

36.–

* We recommend (without obligation) the following dimmer brands:

- GIRA 0307 00/102
- JUNG 1731 DD
- BERKER 2874
- FELLER 40300.RC
- BUSCH-JÄGER 6523U
- ARDITI 027505
- CASAMBI Dimmer 800598 / 800680
- KOPP 8033





SOLA 80

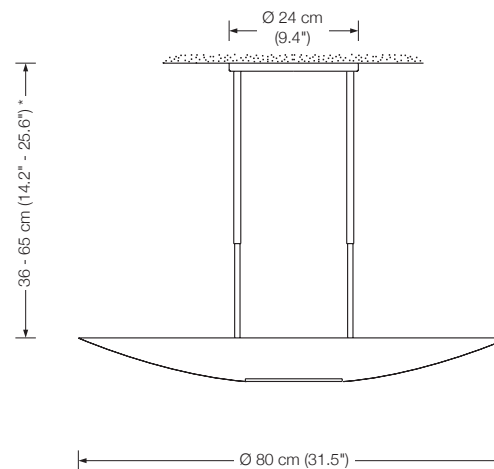
ceiling lamp
 direct and indirect light
 bottom glass diffuser
 height: 36 - 65 cm (14.2" - 25.6") adjustable *
 shade: metal Ø 80 cm (31.5")
 lampholder: R7s, max. 500 W
 bulb: OSRAM HALOLINE ECO 400 W incl.
 dimmer: possible via house installation

		€
SOLA 80 – Ms	Solid brass polished, lacquered	2918.-
SOLA 80 – Mt	Solid brass matt brushed, lacquered	3210.-
SOLA 80 – Ni	Solid brass, nickel-plated	2918.-
SOLA 80 – Nm	Solid brass nickel-plated, matt brushed	3210.-
SOLA 80 – Cr	Solid brass, chrome-plated	3210.-

Energy class: D
This model will be sold with a class D bulb.

4" junction box: covered
 Additional USA 110 V conversion kit 12.-
 110 V bulbs not included

* special length on request

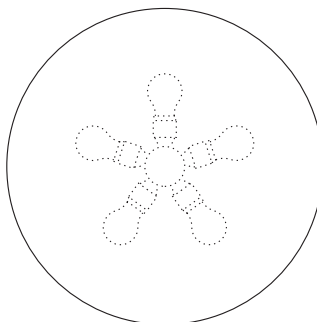
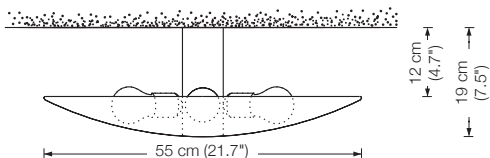


SELA 55

ceiling lamp
indirect lighting
shade:
lampholder:
dimmer:

metal Ø 55 cm (21.7")
5 x E27, max. 5 x 100 W
possible via house installation or Casambi*

SELA 55 – Ms	Solid brass polished, lacquered	882.–
SELA 55 – Mt	Solid brass matt brushed, lacquered	970.–
SELA 55 – Ni	Solid brass, nickel-plated	882.–
SELA 55 – Nm	Solid brass nickel-plated, matt brushed	970.–
SELA 55 – Cr	Solid brass, chrome-plated	970.–

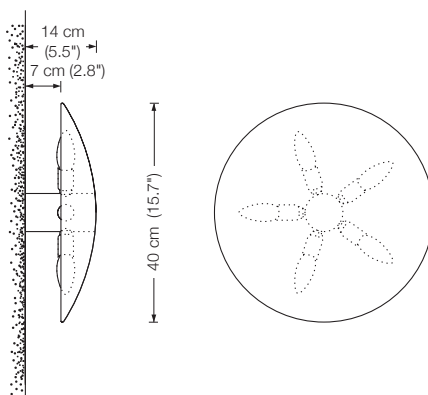


SELA 40

ceiling lamp
indirect lighting
shade:
lampholder:
dimmer:

metal Ø 40 cm (15.7")
5 x E27, max. 5 x 100 W
possible via house installation or Casambi*

SELA 40 – Ms	Solid brass polished, lacquered	788.–
SELA 40 – Mt	Solid brass matt brushed, lacquered	866.–
SELA 40 – Ni	Solid brass, nickel-plated	788.–
SELA 40 – Nm	Solid brass nickel-plated, matt brushed	866.–
SELA 40 – Cr	Solid brass, chrome-plated	866.–



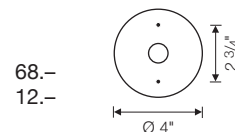
special length (distance to wall / ceiling) on request

Energy class: A++ to E
(Depending on the used bulb.)

* We recommend (without obligation) the following dimmer brands:

- GIRA 0307 00/102
- JUNG 1731 DD
- BERKER 2874
- FELLER 40300.FC
- BUSCH-JÄGER 6523U
- ARDITI 027505
- CASAMBI Dimmer 800598 / 800680
- KOPP 8033

SELA 40 / 55:
4" junction box: not covered
Backplate Ø 12 cm (4.72")
Additional 110 V conversion kit:
110 V bulbs not included

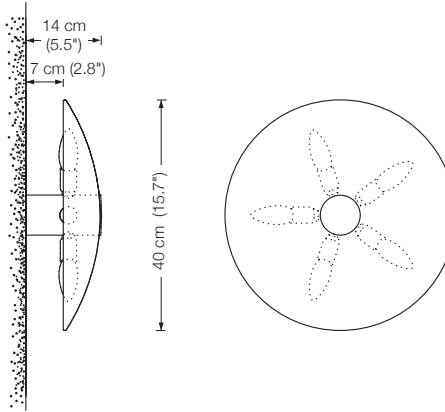


GELA 40
 wall / ceiling lamp
 shade: glass white-opal Ø 40 cm (15.7")
 lampholder: 5 x E14, max. 5 x 60 W
 dimmer: possible via house installation or Casambi*

GELA 40 – Ms	Solid brass polished, lacquered	€ 647.–
GELA 40 – Mt	Solid brass matt brushed, lacquered	€ 679.–
GELA 40 – Ni	Solid brass, nickel-plated	€ 647.–
GELA 40 – Nm	Solid brass nickel-plated, matt brushed	€ 679.–
GELA 40 – Cr	Solid brass, chrome-plated	€ 679.–

special length (distance to wall / ceiling) on request

Energy class: A++ to E
 (Depending on the used bulb.)



GELA 55
 ceiling lamp
 shade: glass white-opal Ø 55 cm (21.7")
 lampholder: 5 x E27, max. 5 x 100 W
 dimmer: possible via house installation or Casambi*

GELA 55 – Ms	Solid brass polished, lacquered	€ 671.–
GELA 55 – Mt	Solid brass matt brushed, lacquered	€ 705.–
GELA 55 – Ni	Solid brass, nickel-plated	€ 671.–
GELA 55 – Nm	Solid brass nickel-plated, matt brushed	€ 705.–
GELA 55 – Cr	Solid brass, chrome-plated	€ 705.–

special length (distance to ceiling) on request

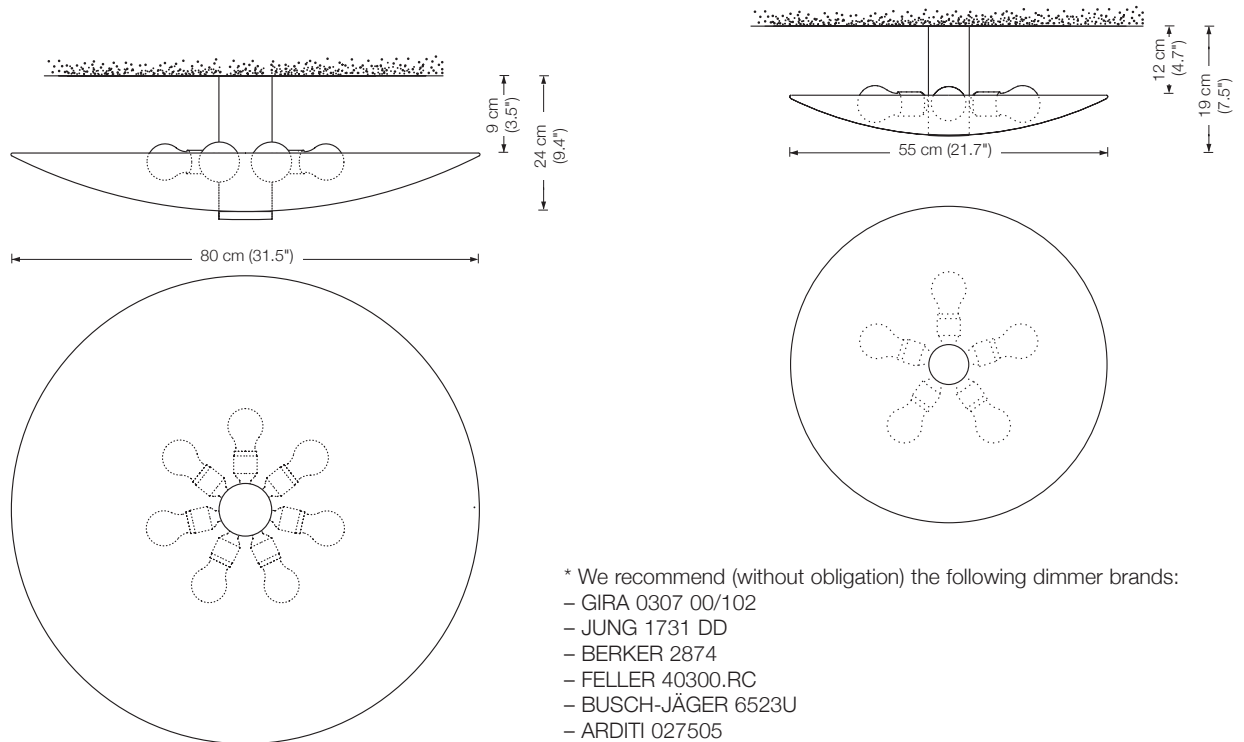
Energy class: A++ to E
 (Depending on the used bulb.)

GELA 80
 ceiling lamp
 shade: glass white-opal Ø 80 cm (31.5")
 lampholder: 7 x E27, max. 7 x 100 W
 dimmer: possible via house installation or Casambi*

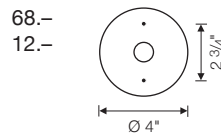
GELA 80 – Ms	Solid brass polished, lacquered	€ 1385.–
GELA 80 – Mt	Solid brass matt brushed, lacquered	€ 1454.–
GELA 80 – Ni	Solid brass, nickel-plated	€ 1385.–
GELA 80 – Nm	Solid brass nickel-plated, matt brushed	€ 1454.–
GELA 80 – Cr	Solid brass, chrome-plated	€ 1454.–

special length (distance to ceiling) on request

Energy class: A++ to E
 (Depending on the used bulb.)



GELA 40 / 55 / 80:
 4" junction box: not covered
 Backplate Ø 12 cm (4.72")
 Additional 110 V conversion kit:
 110 V bulbs not included



* We recommend (without obligation) the following dimmer brands:

- GIRA 0307 00/102
- JUNG 1731 DD
- BERKER 2874
- FELLER 40300.RC
- BUSCH-JÄGER 6523U
- ARDITI 027505
- CASAMBI Dimmer 800598 / 800680
- KOPP 8033





OLA 25

ceiling lamp

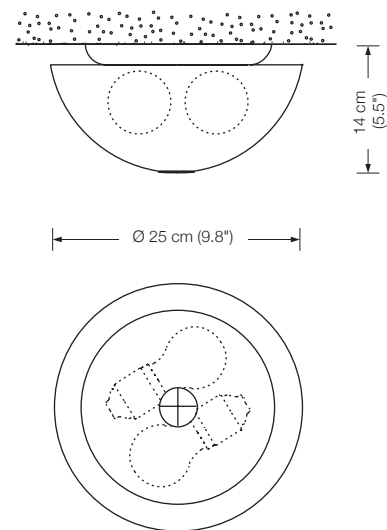
height: 14 cm (5.5")
 shade: glass white-opal, Ø 25 cm (9.8")
 lampholder: 2 x E27, max. 2 x 100 W
 bulb: 2 x OS E27 Parathom, dimmable
 à 1080 Lumen, 2700° K, 11 W $\hat{=}$ 75 W
 dimmer: possible via house installation

		€
OLA 25 – Ms	Solid brass polished, lacquered	435.–
OLA 25 – Mt	Solid brass matt brushed, lacquered	457.–
OLA 25 – Ni	Solid brass, nickel-plated	435.–
OLA 25 – Nm	Solid brass nickel-plated, matt brushed	457.–
OLA 25 – Cr	Solid brass, chrome-plated	457.–

Energy class: A++ to E
 (Depending on the used bulb.)

4" junction box: covered
 Additional USA 110 V conversion kit
 110 V bulbs not included

18.–



OLA 36

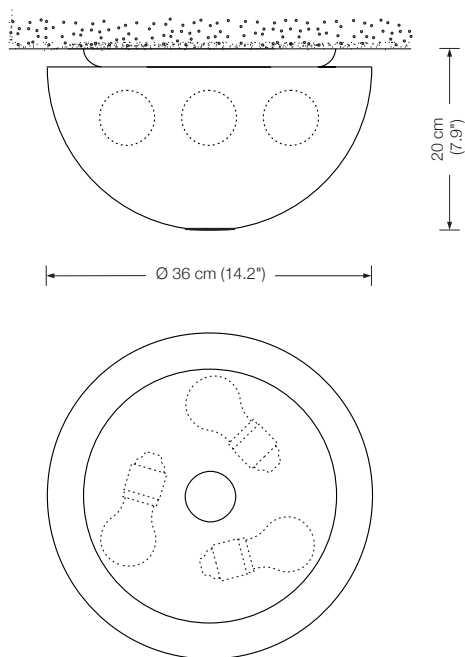
ceiling lamp

height: 20 cm (7.9")
 shade: glass white-opal, Ø 36 cm (14.2")
 lampholder: 3 x E27, max. 3 x 100 W
 bulb: 3 x OS E27 Parathom, dimmable
 à 1080 Lumen, 2700° K, 11 W $\hat{=}$ 75 W
 dimmer: possible via house installation

		€
OLA 36 – Ms	Solid brass polished, lacquered	508.–
OLA 36 – Mt	Solid brass matt brushed, lacquered	533.–
OLA 36 – Ni	Solid brass, nickel-plated	508.–
OLA 36 – Nm	Solid brass nickel-plated, matt brushed	533.–
OLA 36 – Cr	Solid brass, chrome-plated	533.–

Energy class: A++ to E
 (Depending on the used bulb.)

4" junction box: covered
 Additional USA 110 V conversion kit
 110 V bulbs not included 24.–



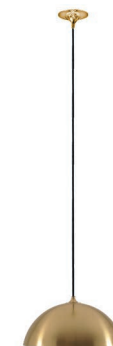


DUOS 36 P – pendant

Pendant lamp
 shade: metal Ø 36 cm (14.2")
 lampholder: E27, max. 100 W

DUOS 36 P – Ms	Solid brass polished, lacquered	€ 840.–
DUOS 36 P – Mt	Solid brass matt brushed, lacquered	924.–
DUOS 36 P – Ni	Solid brass, nickel-plated	840.–
DUOS 36 P – Nm	Solid brass nickel-plated, matt brushed	924.–
DUOS 36 P – Cr	Solid brass, chrome-plated	924.–

4" junction box: covered
 Additional USA 110 V conversion kit 12.–
 110 V bulbs not included



DUOS 36 M – center pull

Adjustable pendant lamp
 shade: metal Ø 36 cm (14.2")
 lampholder: E27, max. 100 W

DUOS 36 M – Ms	Solid brass polished, lacquered	€ 1132.–
DUOS 36 M – Mt	Solid brass matt brushed, lacquered	1245.–
DUOS 36 M – Ni	Solid brass, nickel-plated	1132.–
DUOS 36 M – Nm	Solid brass nickel-plated, matt brushed	1245.–
DUOS 36 M – Cr	Solid brass, chrome-plated	1245.–

4" junction box: covered by US canopy Ø 12 cm (4.7") 152.–
 Additional USA 110 V conversion kit: 12.–
 110 V bulbs not included



DUOS 36 S – side pull

Adjustable pendant lamp
 shade: metal Ø 36 cm (14.2")
 lampholder: E27, max. 100 W

DUOS 36 S – Ms	Solid brass polished, lacquered	€ 1050.–
DUOS 36 S – Mt	Solid brass matt brushed, lacquered	1155.–
DUOS 36 S – Ni	Solid brass, nickel-plated	1050.–
DUOS 36 S – Nm	Solid brass nickel-plated, matt brushed	1155.–
DUOS 36 S – Cr	Solid brass, chrome-plated	1155.–

4" junction box: covered by US canopy Ø 12 cm (4.7") 84.–
 Additional USA 110 V conversion kit: 12.–
 110 V bulbs not included



DUOS 36 R – straight pull ceiling mounted

Adjustable pendant lamp

shade: metal Ø 36 cm (14.2")

lampholder: E27, max. 100 W

DUOS 36 R – Ms	Solid brass polished, lacquered	€ 1258.–
DUOS 36 R – Mt	Solid brass matt brushed, lacquered	€ 1384.–
DUOS 36 R – Ni	Solid brass, nickel-plated	€ 1258.–
DUOS 36 R – Nm	Solid brass nickel-plated, matt brushed	€ 1384.–
DUOS 36 R – Cr	Solid brass, chrome-plated	€ 1384.–

4" junction box: not necessary

Additional USA 110 V conversion kit

110 V bulbs not included

€ 12.–



DUOS 36 D – double pull

Adjustable pendant lamp

shade: metal Ø 36 cm (14.2")

lampholder: 2 x E27, max. 2 x 100 W

DUOS 36 D – Ms	Solid brass polished, lacquered	€ 2100.–
DUOS 36 D – Mt	Solid brass matt brushed, lacquered	€ 2310.–
DUOS 36 D – Ni	Solid brass, nickel-plated	€ 2100.–
DUOS 36 D – Nm	Solid brass nickel-plated, matt brushed	€ 2310.–
DUOS 36 D – Cr	Solid brass, chrome-plated	€ 2310.–

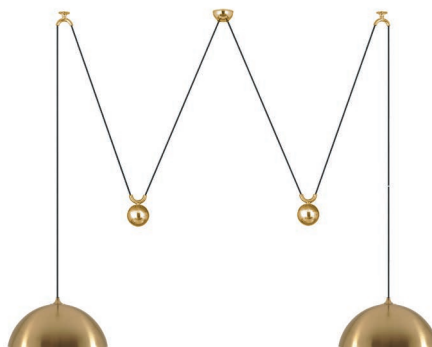
4" junction box: covered by US canopy Ø 12 cm (4.7")

Additional USA 110 V conversion kit:

110 V bulbs not included

€ 88.–

€ 12.–



Energy class: A++ to E

(Depending on the used bulb.)

Textile cable black. On request: brown, gold, silver.





POSA 36 P – pendant

Pendant lamp

shade: glass white-opal, Ø 36 cm (14.2")

lampholder: E27, max. 100 W

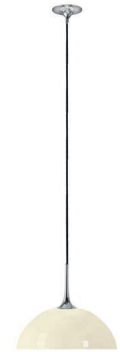
		€
POSA 36 P – Ms	Solid brass polished, lacquered	525.–
POSA 36 P – Mt	Solid brass matt brushed, lacquered	551.–
POSA 36 P – Ni	Solid brass, nickel-plated	525.–
POSA 36 P – Nm	Solid brass nickel-plated, matt brushed	551.–
POSA 36 P – Cr	Solid brass, chrome-plated	551.–

4" junction box: covered

Additional USA 110 V conversion kit

110 V bulbs not included

12.–



POSA 36 M – center pull

Adjustable pendant lamp

shade: glass white-opal, Ø 36 cm (14.2")

lampholder: E27, max. 100 W

		€
POSA 36 M – Ms	Solid brass polished, lacquered	810.–
POSA 36 M – Mt	Solid brass matt brushed, lacquered	851.–
POSA 36 M – Ni	Solid brass, nickel-plated	810.–
POSA 36 M – Nm	Solid brass nickel-plated, matt brushed	851.–
POSA 36 M – Cr	Solid brass, chrome-plated	851.–

4" junction box: covered by US canopy Ø 12 cm (4.7")

Additional USA 110 V conversion kit:

110 V bulbs not included

152.–

12.–



POSA 36 S – side pull

Adjustable pendant lamp

shade: glass white-opal, Ø 36 cm (14.2")

lampholder: E27, max. 100 W

		€
POSA 36 S – Ms	Solid brass polished, lacquered	810.–
POSA 36 S – Mt	Solid brass matt brushed, lacquered	851.–
POSA 36 S – Ni	Solid brass, nickel-plated	810.–
POSA 36 S – Nm	Solid brass nickel-plated, matt brushed	851.–
POSA 36 S – Cr	Solid brass, chrome-plated	851.–

4" junction box: covered by US canopy Ø 12 cm (4.7")

Additional USA 110 V conversion kit:

110 V bulbs not included

84.–

12.–



POSA 36 R – straight pull ceiling mounted

Adjustable pendant lamp

shade: glass white-opal, Ø 36 cm (14.2")

lampholder: E27, max. 100 W

POSA 36 R – Ms	Solid brass polished, lacquered	€ 912.–
POSA 36 R – Mt	Solid brass matt brushed, lacquered	€ 958.–
POSA 36 R – Ni	Solid brass, nickel-plated	€ 912.–
POSA 36 R – Nm	Solid brass nickel-plated, matt brushed	€ 958.–
POSA 36 R – Cr	Solid brass, chrome-plated	€ 958.–

4" junction box: not necessary

Additional USA 110 V conversion kit

110 V bulbs not included

€ 12.–



POSA 36 D – double pull

Adjustable pendant lamp

shade: glass white-opal, Ø 36 cm (14.2")

lampholder: 2 x E27, max. 2 x 100 W

POSA 36 D – Ms	Solid brass polished, lacquered	€ 1421.–
POSA 36 D – Mt	Solid brass matt brushed, lacquered	€ 1491.–
POSA 36 D – Ni	Solid brass, nickel-plated	€ 1421.–
POSA 36 D – Nm	Solid brass nickel-plated, matt brushed	€ 1491.–
POSA 36 D – Cr	Solid brass, chrome-plated	€ 1491.–

4" junction box: covered by US canopy Ø 12 cm (4.7")

Additional USA 110 V conversion kit:

110 V bulbs not included

€ 88.–

€ 12.–



Energy class: A++ to E

(Depending on the used bulb.)

Textile cable black. On request: brown, gold, silver.





ONOS 55 P – pendant

Pendant lamp

shade: metal Ø 55 cm (21.7")
metal light diffuser

lampholder: E27, max. 100 W

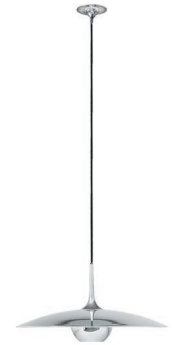
		€
ONOS 55 P – Ms	Solid brass polished, lacquered	1134.–
ONOS 55 P – Mt	Solid brass matt brushed, lacquered	1247.–
ONOS 55 P – Ni	Solid brass, nickel-plated	1134.–
ONOS 55 P – Nm	Solid brass nickel-plated, matt brushed	1247.–
ONOS 55 P – Cr	Solid brass, chrome-plated	1247.–

4" junction box: covered

Additional USA 110 V conversion kit

12.–

110 V bulbs not included



ONOS 55 M – center pull

Adjustable pendant lamp

shade: metal Ø 55 cm (21.7")
metal light diffuser

lampholder: E27, max. 100 W

		€
ONOS 55 M – Ms	Solid brass polished, lacquered	1397.–
ONOS 55 M – Mt	Solid brass matt brushed, lacquered	1536.–
ONOS 55 M – Ni	Solid brass, nickel-plated	1397.–
ONOS 55 M – Nm	Solid brass nickel-plated, matt brushed	1536.–
ONOS 55 M – Cr	Solid brass, chrome-plated	1536.–

4" junction box: covered by US canopy Ø 12 cm (4.7")

152.–

Additional USA 110 V conversion kit:

12.–

110 V bulbs not included



ONOS 55 S – side pull

Adjustable pendant lamp

shade: metal Ø 55 cm (21.7")
metal light diffuser

lampholder: E27, max. 100 W

		€
ONOS 55 S – Ms	Solid brass polished, lacquered	1397.–
ONOS 55 S – Mt	Solid brass matt brushed, lacquered	1536.–
ONOS 55 S – Ni	Solid brass, nickel-plated	1397.–
ONOS 55 S – Nm	Solid brass nickel-plated, matt brushed	1536.–
ONOS 55 S – Cr	Solid brass, chrome-plated	1536.–

4" junction box: covered by US canopy Ø 12 cm (4.7")

84.–

Additional USA 110 V conversion kit:

12.–

110 V bulbs not included



ONOS 55 R – straight pull ceiling mounted

Adjustable pendant lamp

shade: metal Ø 55 cm (21.7")
metal light diffuser
lampholder: E27, max. 100 W

ONOS 55 R – Ms	Solid brass polished, lacquered	€ 1575.–
ONOS 55 R – Mt	Solid brass matt brushed, lacquered	1733.–
ONOS 55 R – Ni	Solid brass, nickel-plated	1575.–
ONOS 55 R – Nm	Solid brass nickel-plated, matt brushed	1733.–
ONOS 55 R – Cr	Solid brass, chrome-plated	1733.–

4" junction box: not necessary
Additional USA 110 V conversion kit 12.–
110 V bulbs not included



ONOS 55 D – double pull

Adjustable pendant lamp

shade: metal Ø 55 cm (21.7")
metal light diffuser
lampholder: 2 x E27, max. 2 x 100 W

ONOS 55 D – Ms	Solid brass polished, lacquered	€ 2562.–
ONOS 55 D – Mt	Solid brass matt brushed, lacquered	2818.–
ONOS 55 D – Ni	Solid brass, nickel-plated	2562.–
ONOS 55 D – Nm	Solid brass nickel-plated, matt brushed	2818.–
ONOS 55 D – Cr	Solid brass, chrome-plated	2818.–

4" junction box: covered by US canopy Ø 12 cm (4.7") 88.–
Additional USA 110 V conversion kit: 12.–
110 V bulbs not included



Energy class: A++ to E
(Depending on the used bulb.)

Textile cable black. On request: brown, gold, silver.





ONOS 40 P – pendant

Pendant lamp

shade: metal Ø 40 cm (15.7")
metal light diffuser

lampholder: E27, max. 100 W

		€
ONOS 40 P – Ms	Solid brass polished, lacquered	924.–
ONOS 40 P – Mt	Solid brass matt brushed, lacquered	1016.–
ONOS 40 P – Ni	Solid brass, nickel-plated	924.–
ONOS 40 P – Nm	Solid brass nickel-plated, matt brushed	1016.–
ONOS 40 P – Cr	Solid brass, chrome-plated	1016.–

4" junction box: covered

Additional USA 110 V conversion kit 12.–

110 V bulbs not included



ONOS 40 M – center pull

Adjustable pendant lamp

shade: metal Ø 40 cm (15.7")
metal light diffuser

lampholder: E27, max. 100 W

		€
ONOS 40 M – Ms	Solid brass polished, lacquered	1239.–
ONOS 40 M – Mt	Solid brass matt brushed, lacquered	1363.–
ONOS 40 M – Ni	Solid brass, nickel-plated	1239.–
ONOS 40 M – Nm	Solid brass nickel-plated, matt brushed	1363.–
ONOS 40 M – Cr	Solid brass, chrome-plated	1363.–

4" junction box: covered by US canopy Ø 12 cm (4.7")

Additional USA 110 V conversion kit: 12.–

110 V bulbs not included



ONOS 40 S – side pull

Adjustable pendant lamp

shade: metal Ø 40 cm (15.7")
metal light diffuser

lampholder: E27, max. 100 W

		€
ONOS 40 S – Ms	Solid brass polished, lacquered	1239.–
ONOS 40 S – Mt	Solid brass matt brushed, lacquered	1363.–
ONOS 40 S – Ni	Solid brass, nickel-plated	1239.–
ONOS 40 S – Nm	Solid brass nickel-plated, matt brushed	1363.–
ONOS 40 S – Cr	Solid brass, chrome-plated	1363.–

4" junction box: covered by US canopy Ø 12 cm (4.7")

Additional USA 110 V conversion kit: 84.–

110 V bulbs not included



ONOS 40 R – straight pull ceiling mounted

Adjustable pendant lamp

shade: metal Ø 40 cm (15.7")
metal light diffuser
lampholder: E27, max. 100 W

ONOS 40 R – Ms	Solid brass polished, lacquered	€ 1418.–
ONOS 40 R – Mt	Solid brass matt brushed, lacquered	€ 1559.–
ONOS 40 R – Ni	Solid brass, nickel-plated	€ 1418.–
ONOS 40 R – Nm	Solid brass nickel-plated, matt brushed	€ 1559.–
ONOS 40 R – Cr	Solid brass, chrome-plated	€ 1559.–

4" junction box: not necessary
Additional USA 110 V conversion kit: 12.–
110 V bulbs not included



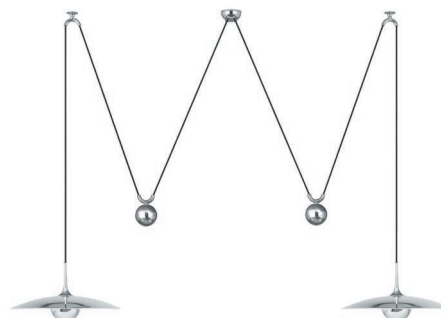
ONOS 40 D – double pull

Adjustable pendant lamp

shade: metal Ø 40 cm (15.7")
metal light diffuser
lampholder: 2 x E27, max. 2 x 100 W

ONOS 40 D – Ms	Solid brass polished, lacquered	€ 2310.–
ONOS 40 D – Mt	Solid brass matt brushed, lacquered	€ 2541.–
ONOS 40 D – Ni	Solid brass, nickel-plated	€ 2310.–
ONOS 40 D – Nm	Solid brass nickel-plated, matt brushed	€ 2541.–
ONOS 40 D – Cr	Solid brass, chrome-plated	€ 2541.–

4" junction box: covered by US canopy Ø 12 cm (4.7") 88.–
Additional USA 110 V conversion kit: 12.–
110 V bulbs not included



Energy class: A++ to E

(Depending on the used bulb.)

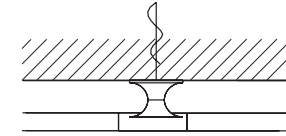
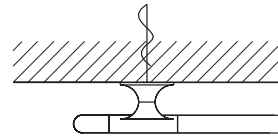
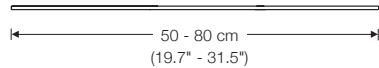
Textile cable black. On request: brown, gold, silver.



Ceiling guiding system for pendant lamps DESY

With the elements of this system ceiling guides for pendant lamp groups are combinable.

A simple rehanging of the shades allows an illumination even of temporary table combinations (e.g. long table, around the corner etc).



DESY-ST

rod max. 80 cm (31.5")

		€
Ms	Solid brass polished, lacquered	48.-
Mt	Solid brass matt brushed, lacquered	54.-
Ni	Solid brass, nickel-plated	48.-
Nm	Solid brass nickel-plated, matt brushed	54.-
Cr	Solid brass, chrome-plated	54.-

DESY-E

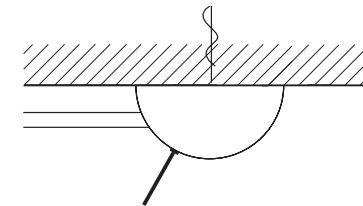
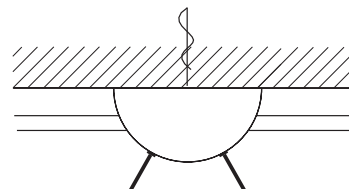
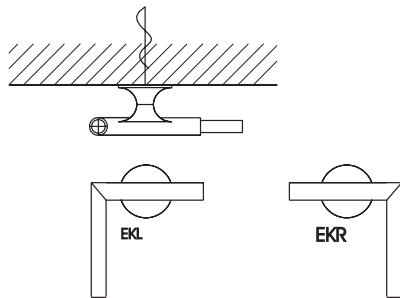
end piece

		€
Ms	Solid brass polished, lacquered	91.-
Mt	Solid brass matt brushed, lacquered	101.-
Ni	Solid brass, nickel-plated	91.-
Nm	Solid brass nickel-plated, matt brushed	101.-
Cr	Solid brass, chrome-plated	101.-

DESY-M

center piece

		€
Ms	Solid brass polished, lacquered	64.-
Mt	Solid brass matt brushed, lacquered	70.-
Ni	Solid brass, nickel-plated	64.-
Nm	Solid brass nickel-plated, matt brushed	70.-
Cr	Solid brass, chrome-plated	70.-



DESY-Ekl corner piece left side (standard)

DESY-Ekr corner piece right side

		€
Ms	Solid brass polished, lacquered	127.-
Mt	Solid brass matt brushed, lacquered	140.-
Ni	Solid brass, nickel-plated	127.-
Nm	Solid brass nickel-plated, matt brushed	140.-
Cr	Solid brass, chrome-plated	140.-

DESY-D

canopy for center cable outlet

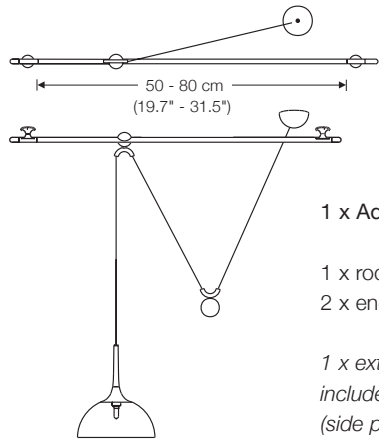
		€
Ms	Solid brass polished, lacquered	141.-
Mt	Solid brass matt brushed, lacquered	154.-
Ni	Solid brass, nickel-plated	141.-
Nm	Solid brass nickel-plated, matt brushed	154.-
Cr	Solid brass, chrome-plated	154.-

DESY-S

canopy for end cable outlet

		€
Ms	Solid brass polished, lacquered	134.-
Mt	Solid brass matt brushed, lacquered	148.-
Ni	Solid brass, nickel-plated	134.-
Nm	Solid brass nickel-plated, matt brushed	148.-
Cr	Solid brass, chrome-plated	148.-

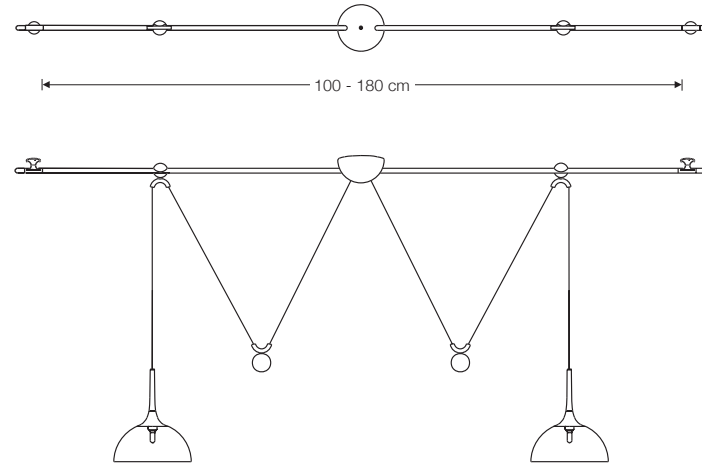
DESY Example



1 x Adjustable pendant lamp – S (side pull)

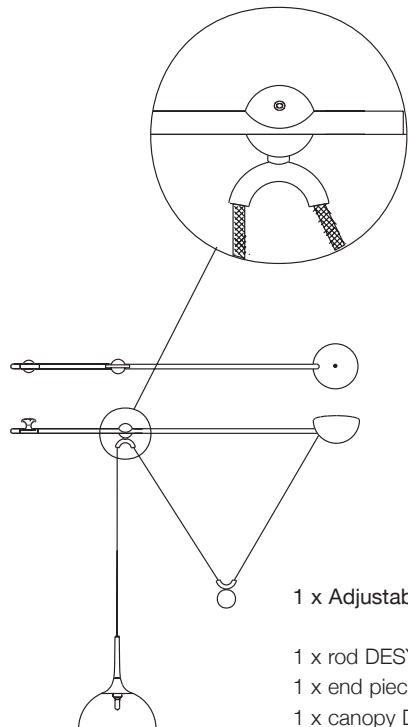
1 x rod DESY-ST
2 x end pieces DESY-E

1 x external canopy
included in Adjustable pendant lamp – S
(side pull).



1 x Adjustable pendant lamp – D
(double pull)

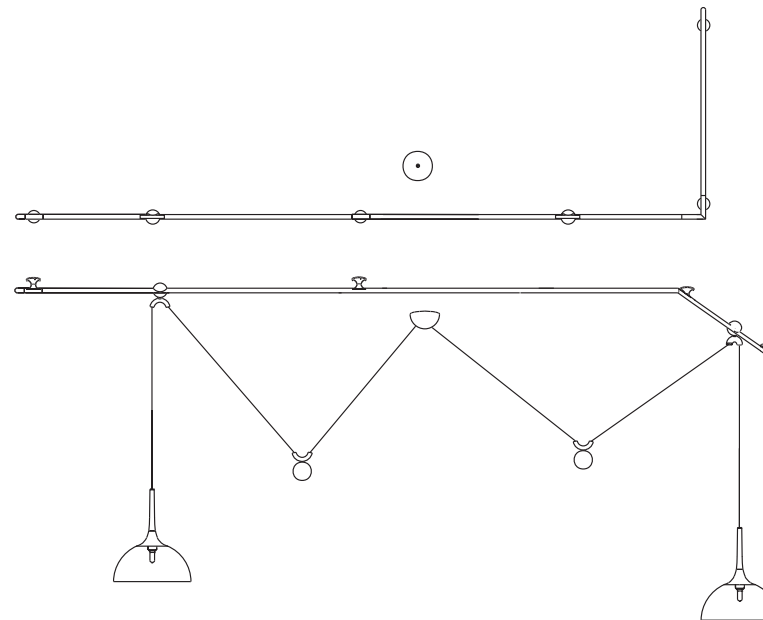
2 x rods DESY-ST
2 x end pieces DESY-E
1 x canopy DESY-D



This upper
cable guide is a
lockable hook.

1 x Adjustable pendant lamp – S (side pull)

1 x rod DESY-ST
1 x end piece DESY-E
1 x canopy DESY-S



1 x Adjustable pendant lamp – D
(double pull)

3 x rods DESY-ST
2 x end pieces DESY-E
1 x center piece DESY-M
1 x corner piece DESY-EK

1 x external canopy
included in Adjustable pendant lamp – D
(double pull)



P80-1

pendant lamp, height adjustable

height: from 65 cm (25.6") – 135 cm (53.15") (standard)*
 canopy: Ø 6 cm (2.36")
 shade: Ø 8 cm (3.15")
 illuminant: LED (20 Watt) incl., 6000 Lumen
 color temperature: Dim-to-Warm from 3100° – 1850 °K
 colour rendering: > 90 Ra
 dimmer: possible via house installation**

		€
P80-1 – Ms	Solid brass polished, lacquered	664.–
P80-1 – Mt	Solid brass matt brushed, lacquered	730.–
P80-1 – Ni	Solid brass, nickel-plated	664.–
P80-1 – Nm	Solid brass nickel-plated, matt brushed	730.–
P80-1 – Cr	Solid brass, chrome-plated	730.–

P80-3

triple pendant lamp, individually height-adjustable

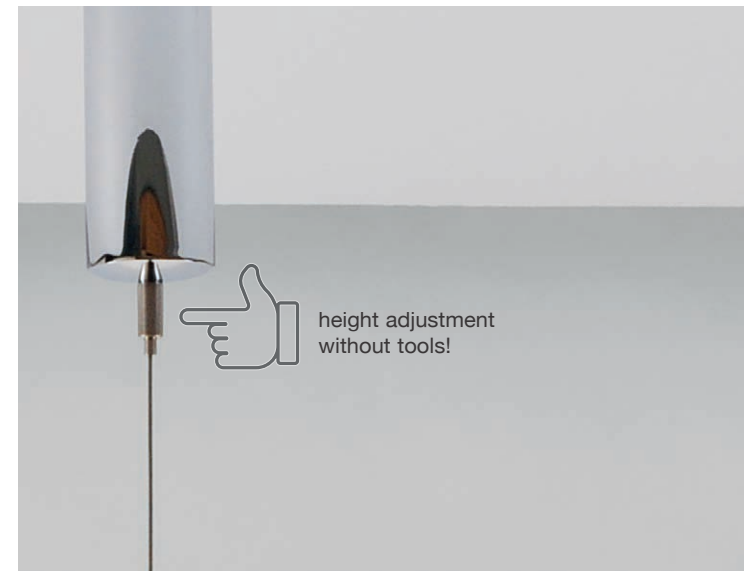
height: 3 x from 65 cm (25.6") – 135 cm (53.15") (standard)*
 canopy: 132 cm (51.97") long, 8 cm (3.15") wide, 4 cm (1.57") high
 shade: 3 x Ø 8 cm (3.15")
 illuminant: 3 x LED (3 x 20 Watt) incl., 6000 Lumen
 color temperature: Dim-to-Warm from 3100° – 1850 °K
 colour rendering: > 90 Ra
 dimmer: possible via house installation**

		€
P80-3 – Ms	Solid brass polished, lacquered	1672.–
P80-3 – Mt	Solid brass matt brushed, lacquered	1838.–
P80-3 – Ni	Solid brass, nickel-plated	1672.–
P80-3 – Nm	Solid brass nickel-plated, matt brushed	1838.–
P80-3 – Cr	Solid brass, chrome-plated	1838.–

Energy class: A++ to A

*other suspension heights on request

** e.g. JUNG 1224 LED UDE



height adjustment
without tools!





PEN 100

pendant lamp, height adjustable
 both light elements can be rotated (360°)
 length: 100 cm (39.4")
 canopy: 15 x 15 x 5 cm (5.9" x 5.9" x 2.0")
 height: 80 to 140 cm (31.5" to 55.1") adjustable (standard)*
 illuminant: 2 x LED-Line 150 (approx. 12 watts in total) incl. exchangeable approx. 1200 Lumen
 color temperature: warmwhite 2700 K
 colour rendering: > 90 Ra
 dimmer: possible via house installation or Casambi**

		€
PEN 100 – Ms	Solid brass polished, lacquered	1344.–
PEN 100 – Mt	Solid brass matt brushed, lacquered	1449.–
PEN 100 – Ni	Solid brass, nickel-plated	1344.–
PEN 100 – Nm	Solid brass nickel-plated, matt brushed	1449.–
PEN 100 – Cr	Solid brass, chrome-plated	1449.–

Energy class: A++ to A

4" junction box: covered
 Additional USA 110 V conversion kit: 40.–

* The following suspensions on request (without surcharge):

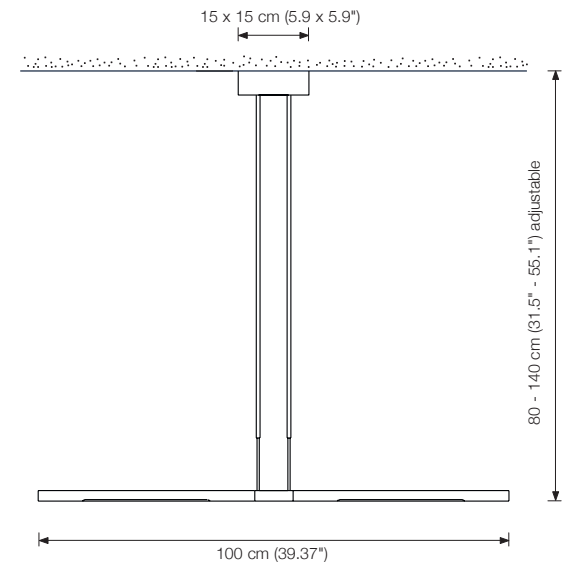
Overall height 105 – 200 cm (41.3" – 78.7")

Overall height 130 – 250 cm (51.2" – 98.4")

Other pendulum lengths possible on request (with additional charge of 280.–)

** We recommend (without obligation) the following dimmer brands:

- GIRA 0307 00/102
- JUNG 1731 DD
- BERKER 2874
- FELLER 40300.RC
- BUSCH-JÄGER 6523U
- ARDITI 027505
- CASAMBI Dimmer 800598 / 800680
- KOPP 8033



PEN 121

pendant lamp, height adjustable

outer light elements can be rotated (360°)

length: 121 cm (47.6")

canopy: 46,5 x 5 x 5 cm (18.3" x 2.0" x 2.0")

height: 80 to 140 cm (31.5" to 55.1") adjustable (standard)*

bulb: 3 x LED-Line 150 (approx. 24 watts in total) incl.

exchangeable

approx. 2200 Lumen

color temperature: warmwhite 2700 K

colour rendering: > 90 Ra

dimmer: possible via house installation or Casambi**

		€
PEN 121 – Ms	Solid brass polished, lacquered	1659.–
PEN 121 – Mt	Solid brass matt brushed, lacquered	1817.–
PEN 121 – Ni	Solid brass, nickel-plated	1659.–
PEN 121 – Nm	Solid brass nickel-plated, matt brushed	1817.–
PEN 121 – Cr	Solid brass, chrome-plated	1817.–

Energy class: A++ to A

4" junction box: not covered

Additional USA 110 V conversion kit: 120.–
including a rectangular backplate of
51 x 12 cm (20.1" x 4.7")

* The following suspensions on request (without surcharge):

Overall height 105 – 200 cm (41.3" – 78.7")

Overall height 130 – 250 cm (51.2" – 98.4")

Other pendulum lengths possible on request (with additional charge of 280.–)

** We recommend (without obligation) the following dimmer brands:

– GIRA 0307 00/102

– JUNG 1731 DD

– BERKER 2874

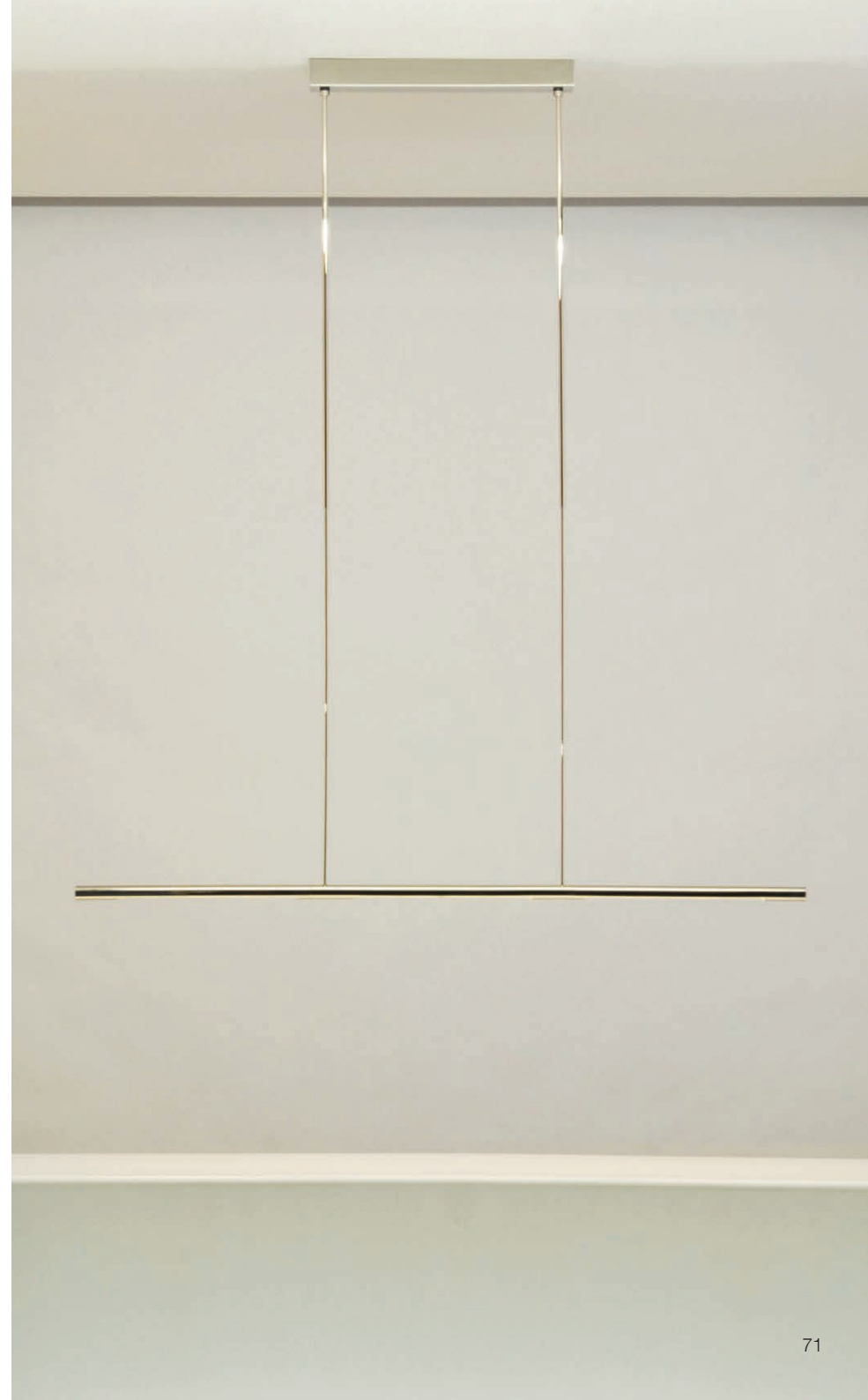
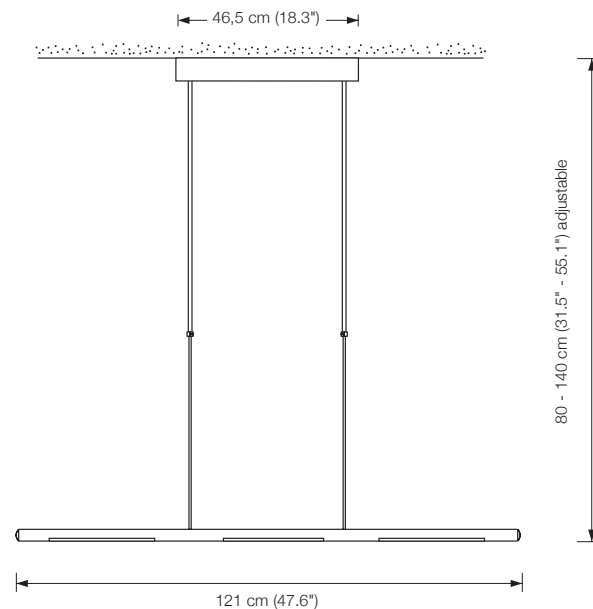
– FELLER 40300.FC

– BUSCH-JÄGER 6523U

– ARDITI 027505

– CASAMBI Dimmer 800598 / 800680

– KOPP 8033





PEN 142

pendant lamp, height adjustable

all light elements can be rotated (360°)

length: 142 cm (55.9")

canopy: 53 x 5 x 5 cm (20.9" x 2.0" x 2.0")

height: 80 to 140 cm (31.5" to 55.1") adjustable (standard)*

bulb: 3 x LED-Line 150 (approx. 24 watts in total) incl.

exchangeable

approx. 2200 Lumen

color temperature: warmwhite 2700 K

colour rendering: > 90 Ra

dimmer: possible via house installation or Casambi**

		€
PEN 142 – Ms	Solid brass polished, lacquered	1659.-
PEN 142 – Mt	Solid brass matt brushed, lacquered	1817.-
PEN 142 – Ni	Solid brass, nickel-plated	1659.-
PEN 142 – Nm	Solid brass nickel-plated, matt brushed	1817.-
PEN 142 – Cr	Solid brass, chrome-plated	1817.-

Energy class: A++ to A

4" junction box: not covered

Additional USA 110 V conversion kit: 120.-
including a rectangular backplate of
57,5 x 12 cm (22.6" x 4.7")

* The following suspensions on request (without surcharge):

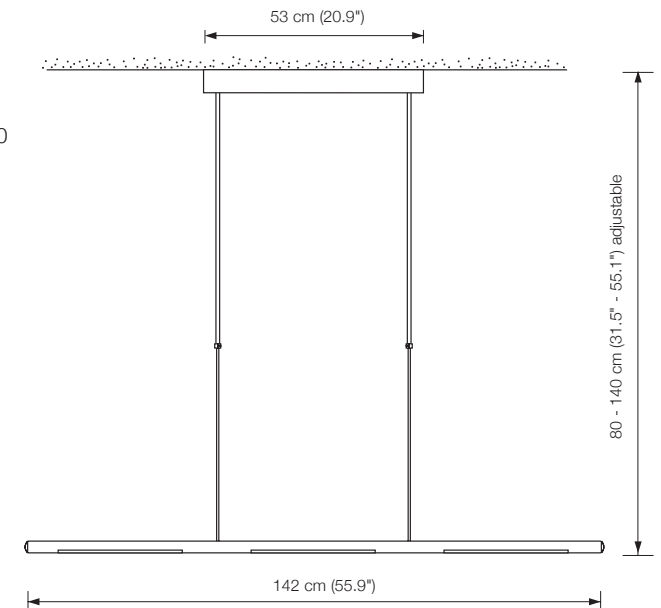
Overall height 105 – 200 cm (41.3" – 78.7")

Overall height 130 – 250 cm (51.2" – 98.4")

Other pendulum lengths possible on request (with additional charge of 280.-)

** We recommend (without obligation) the following dimmer brands:

- GIRA 0307 00/102
- JUNG 1731 DD
- BERKER 2874
- FELLER 40300.RC
- BUSCH-JÄGER 6523U
- ARDITI 027505
- CASAMBI Dimmer 800598 / 800680
- KOPP 8033







OY

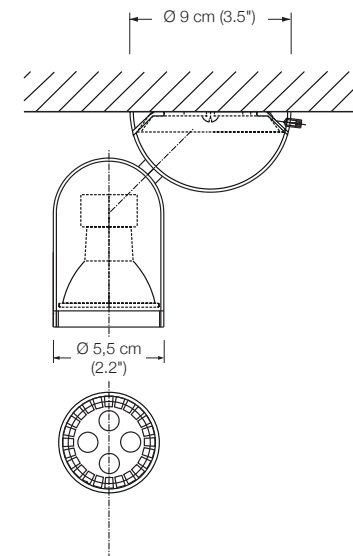
spot
 rotatable 360°
 height of shade: 8,4 cm (3.3")
 Ø shade: 5,5 cm (2.2")
 Ø canopy: 9 cm (3.5")
 lampholder: GU 10 (high-voltage)
 bulb: LED Spot Retrofit (4,6 Watt) incl.
 dimmable
 exchangeable
 approx. 575 Lumen
 color temperature: warmwhite 2700 Kelvin
 colour rendering: > 90 Ra

		€
OY – Ms	Solid brass polished, lacquered	504.–
OY – Mt	Solid brass matt brushed, lacquered	546.–
OY – Ni	Solid brass, nickel-plated	504.–
OY – Nm	Solid brass nickel-plated, matt brushed	546.–
OY – Cr	Solid brass, chrome-plated	546.–

Energy class: A++ to A

Replacement bulbs can be ordered through VS Manufaktur.

Additional USA 110 V conversion kit: 12.–
 110 V bulbs not incl.



OYO

spotlight
swivelling to all sides
for reflector-lights

Ø wall installation: approx. 12 cm (4.7")
 Ø shade: approx. 13 cm (5.1")
 lampholder: G53
 bulb: LED Spot (8,5 W $\hat{=}$ 50 W), 24 ° incl.*
 dimmable
 exchangeable
 approx. 450 Lumen
 color temperature: warmwhite 2700 K
 colour rendering: > 90 Ra

		€
OYO – Ms	Solid brass polished, lacquered	735.-
OYO – Mt	Solid brass matt brushed, lacquered	809.-
OYO – Ni	Solid brass, nickel-plated	735.-
OYO – Nm	Solid brass nickel-plated, matt brushed	809.-
OYO – Cr	Solid brass, chrome-plated	809.-

* optional:

LED Spot (8,5 W $\hat{=}$ 50 W), 24 ° - 4000 K
 LED Spot (8,5 W $\hat{=}$ 50 W), 40 ° - 2700 K
 LED Spot (15,5 W $\hat{=}$ 75 W), 24 ° - 2700 K
 LED Spot (15,5 W $\hat{=}$ 75 W), 24 ° - 4000 K
 LED Spot (15,5 W $\hat{=}$ 75 W), 40 ° - 2700 K

Please indicate with order.

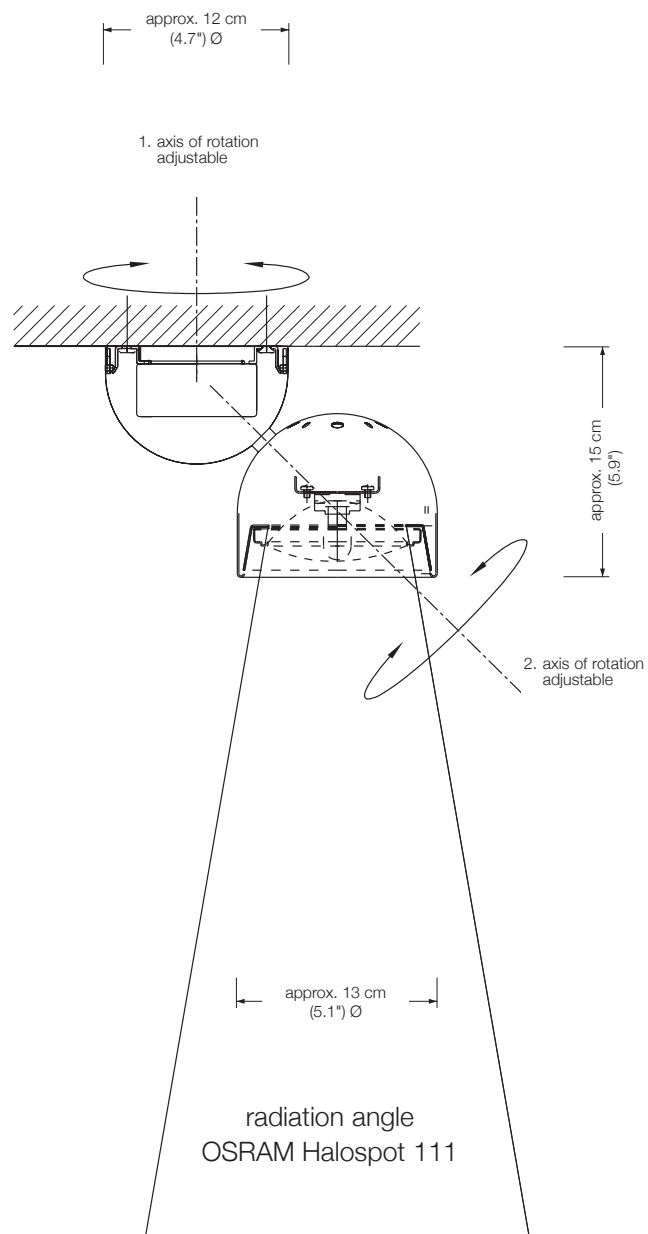
Energy class: A

This model will be sold with a class A bulb.

4" junction box: covered

Additional USA 110 V conversion kit:

32.-





VS Manufaktur
Wahlwiesenstr. 1
71711 Steinheim
Germany

Tel +49 7144 / 889 110 5

Fax +49 7144 / 889 110 7

www.vs-manufaktur.de
info@vs-manufaktur.de

All rights reserved.
Specifications and design subject to change without notice.