

VS manufaktur  
licht + objekt



## Timeless craftsmanship

Our mission is to manufacture lamps of lasting value,  
in function and in form distinguished  
by superior craftsmanship and timeless design.

VS manufaktur  
licht + objekt

# Collection 2020

Recommended retail price without VAT, valid with effect from February 1<sup>st</sup> 2020.

With immediate effect, only the models specified in this list are available.

The technical data in this price list shall apply exclusively.

## Alphabetical index

	page		page		page
ALIA	43	MESA 24	11	POSA 36	60 – 61
BEO	44	MYOS	16	SELA 40	53
CERVANTES	30	MYOS T	17	SELA 55	53
CINA W.	46	OKON	13	SOLA 80	52
DROP	22 – 23	OLA 25	56	STE	21
DUOS 36	58 – 59	OLA 36	57	TAOS 40	18
ELAS	37	ONE 58	6	TAOS 40 SD	19
ELAS S.	37	ONE 80	7	TAOS 55	18
ERA 33	45	ONOS 40	64 – 65	TAOS 55 SD	19
ERA 40	45	ONOS 55	62 – 63	TOA	38
EREA 55	50	ORA 20	36	TOLED	33
EREA 80	51	ORA 25	36	TOPAN	32
ESA	39	OVA	8 – 9	UNA	20
GEA	42	OY	74	VAO	49
GELA 40	54 – 55	OYO	75	VAYO	12
GELA 55	54 – 55	P80-1	68 – 69	VEA	48
GELA 80	54 – 55	P80-3	68 – 69	WED	41
INAS	26	PEN 100	70	WIN	47
INAS SD	27	PEN 121	71	YON	28 – 29
LESAN M	31	PEN 142	72 – 73	YON G	28 – 29
LESAN S.	31	PIN	24 – 25	YON T	35
LONEA	14	PIN d	24 – 25		
LONEA SD	15	PIN T	34		
MESA 18	10	PIN W dim	40		

## Collection

	page
Chandeliers:	6 – 11
Floorlamps:	12 – 20
Arc floor lamps:	21
Floor reading lamps:	22 – 31
Table lamps:	32 – 39
Wall sconces:	40 – 49
Ceiling lamps:	50 – 57
Adjustable pendant lamps:	58 – 65
Pendant lamps:	68 – 73
Spots:	74 – 75

## Prices for non-standard finishes

In addition to the metal finishes quoted in this price list, special finishes are available for most models.

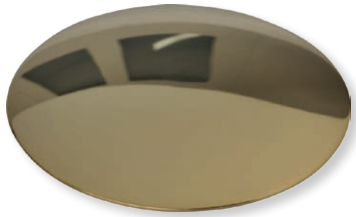
Surcharges are calculated from the basic price for brass (- Ms) or nickel (-Ni): \*

Mp	Solid brass polished, unlacquered . . . . .	+ 10%
Ni-lack	Solid brass nickel-plated, lacquered . . . . .	+ 10%
Cu	Solid brass copper-plated, lacquered . . . . .	+ 10%
Cm	Solid brass copper-plated, matt brushed, lacquered . . . .	+ 15%
Br	Solid brass bronzed, lacquered . . . . .	+ 20%
Bd	Solid brass dark-bronzed, lacquered . . . . .	+ 30%

delivery times on request

\* Prices can vary depending on model and technical feasibility.

## Finishes



Ms  
Solid brass polished, lacquered



Mt  
Solid brass matt brushed, lacquered



Ni  
Solid brass, nickel-plated

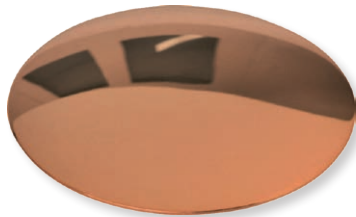


Nm  
Solid brass nickel-plated, matt brushed



Cr  
Solid brass, chrome-plated

## Non-standard finishes



Cu  
Solid brass copper-plated, lacquered



Cm  
Solid brass copper-plated, matt brushed, lacquered



Br  
Solid brass bronzed, lacquered



Bd  
Solid brass dark-bronzed, lacquered

### Note:

The special surfaces „Mp – Solid brass polished, unlacquered“, and „Ni-lack – Solid brass, nickel-plated, lacquered“ visually look the same, such as „Ms – Solid brass polished, lacquered“ and „Ni – Solid brass, nickel-plated“.



## ONE 58

LED chandelier

height: adjustable 0,5 to 2 m (16.69" to 78.74") (standard)\*

Ø ring: 58 cm (22.8")

Ø canopy: 25 cm (9.8")

illuminant: LED (31,4 Watt) with glare protection incl.  
light upwards and downwards  
approx. 3.020 Lumen

colour temperature: warm white 2700 K

colour rendering: > 90 Ra

dimmer: possible via house installation or Casambi\*\*

ONE 58 – Ms	Solid brass polished, lacquered
ONE 58 – Mt	Solid brass matt brushed, lacquered
ONE 58 – Ni	Solid brass, nickel-plated
ONE 58 – Nm	Solid brass nickel-plated, matt brushed
ONE 58 – Cr	Solid brass, chrome-plated

Energy class: A++ to A.

110 Volt/USA: **not dimmable**

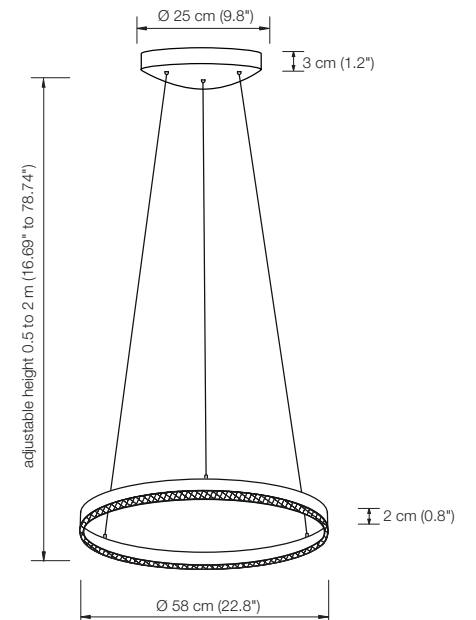
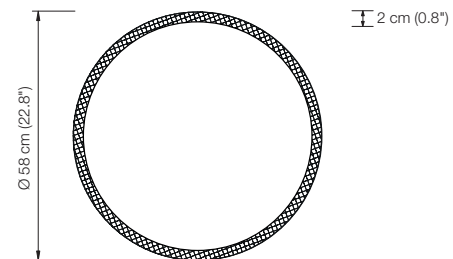
4" junction box: covered

Additional USA 110 V conversion kit: **available on request**

\* Other heights: available on request

\*\* We recommend (without obligation) the following dimmer brands:

- GIRA 0307 00/102
- JUNG 1731 DD
- BERKER 2874
- FELLER 40300.RC
- BUSCH-JÄGER 6523U
- ARDITI 027505
- CASAMBI Dimmer 800598 / 800680
- KOPP 8033



## ONE 80

LED chandelier

height: adjustable 0.5 to 2 m (16.69" to 78.74") (standard)\*

Ø ring: 80 cm (31.5")

Ø canopy: 25 cm (9.8")

illuminant: LED (43 Watt) with glare protection incl.  
light upwards and downwards  
approx. 4.200 Lumen

colour temperature: warm white 2700 K

colour rendering: > 90 Ra

dimmer: possible via house installation or Casambi\*\*

ONE 80 – Ms	Solid brass polished, lacquered
ONE 80 – Mt	Solid brass matt brushed, lacquered
ONE 80 – Ni	Solid brass, nickel-plated
ONE 80 – Nm	Solid brass nickel-plated, matt brushed
ONE 80 – Cr	Solid brass, chrome-plated

Energy class: A++ to A.

110 Volt/USA: **not dimmable**

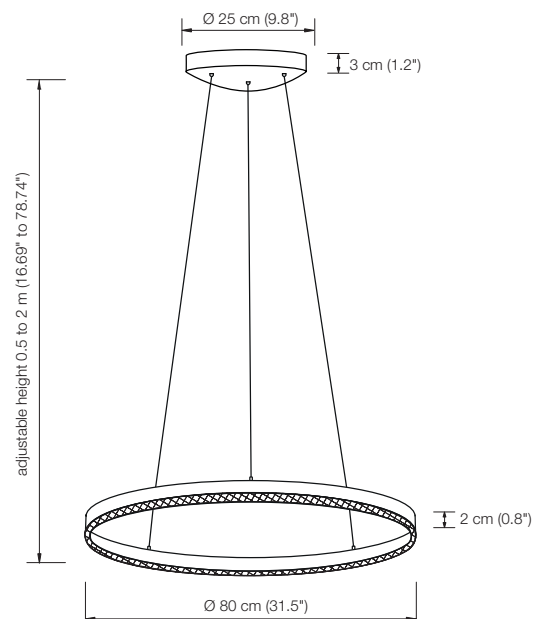
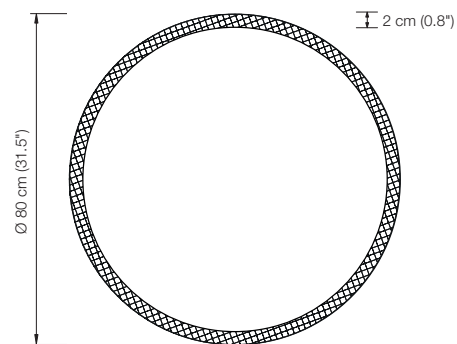
4" junction box: covered

Additional USA 110 V conversion kit: **available on request**

\* Other heights: available on request

\*\* We recommend (without obligation) the following dimmer brands:

- GIRA 0307 00/102
- JUNG 1731 DD
- BERKER 2874
- FELLER 40300.FC
- BUSCH-JÄGER 6523U
- ARDITI 027505
- CASAMBI Dimmer 800598 / 800680
- KOPP 8033





## OVA

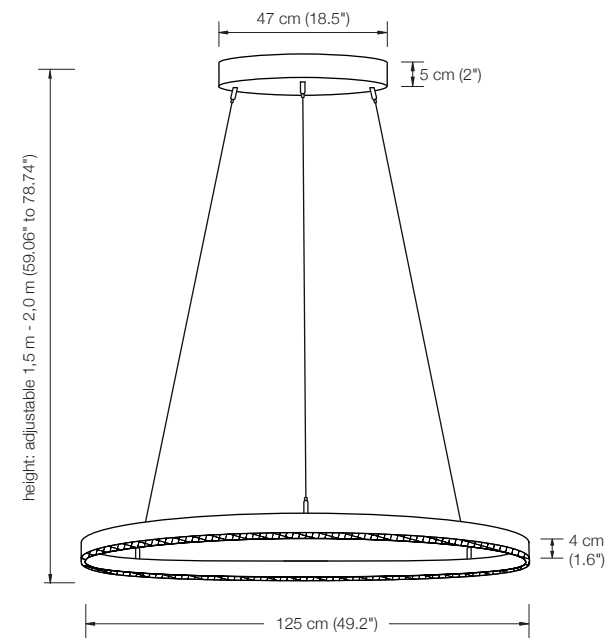
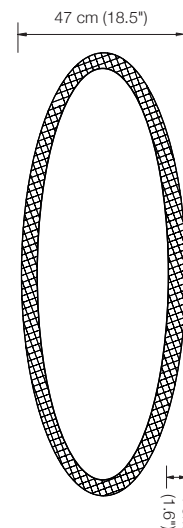
LED chandelier  
 height: adjustable 1.5 to 2 m (59.06" to 78.74") (standard)\*  
 oval shade: 125 cm long, 47 wide, 4 cm high  
 (49.2" long, 18.5" wide, 1.6" high)  
 canopy: 47 cm long, 14 cm wide, 5 cm high  
 (18.5" long, 5.5" wide, 2" high)  
 illuminant: LED with glare protection incl.  
 light upwards and downwards  
 approx. 3.000 Lumen  
 colour rendering: > 90 Ra  
 dimmer: possible via house installation or Casambi\*\*

OVA – Ms Solid brass polished, lacquered  
 OVA – Mt Solid brass matt brushed, lacquered  
 OVA – Ni Solid brass, nickel-plated  
 OVA – Nm Solid brass nickel-plated, matt brushed  
 OVA – Cr Solid brass, chrome-plated

Energy class: A++ to A.

110 Volt/USA: **not dimmable**  
 4" junction box: covered  
 Additional USA 110 V conversion kit: **available on request**

\* Other heights possible, each with a range of 50 cm (19.7").  
 \*\* We recommend (without obligation) the following dimmer brands:  
 – GIRA 0307 00/102  
 – JUNG 1731 DD  
 – BERKER 2874  
 – FELLER 40300.RC  
 – BUSCH-JÄGER 6523U  
 – ARDITI 027505  
 – CASAMBI Dimmer 800598 / 800680  
 – KOPP 8033









## MESA 18

chandelier

18 removable metal arms

total height: min. 85 cm (33.5") - max. 305 cm (120.1") \*

Ø: 88 cm (34.6")

lampholder: 18 x G 4, max. 18 x 20 W / 12 V

bulb: 20 x OSRAM HALOSTAR 20 W incl.

dimmer: brightness control is possible \*\*

MESA 18 – Ms Solid brass polished, lacquered

MESA 18 – Mt Solid brass matt brushed, lacquered

MESA 18 – Ni Solid brass, nickel-plated

MESA 18 – Nm Solid brass nickel-plated, matt brushed

MESA 18 – Cr Solid brass, chrome-plated

Energy class: C

*This model will be sold with a class C bulb.*

4" junction box: covered

Additional USA 110 V conversion kit: **available on request**

\* telescopic adjustment:

total height 85 – 125 cm (33.5" – 49.2") (standard)

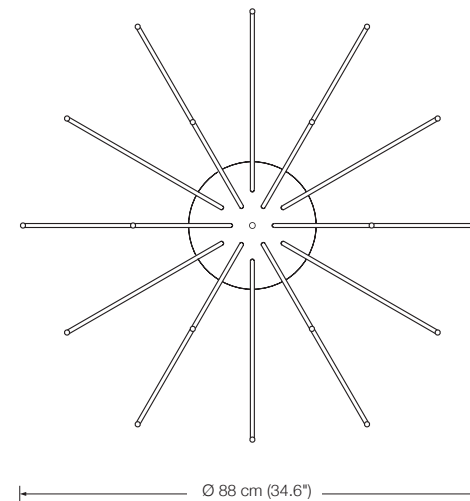
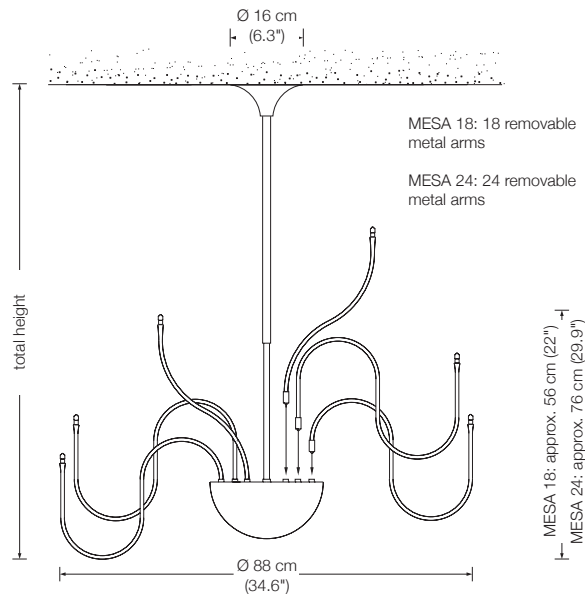
total height 115 – 185 cm (45.3" – 72.8")

total height 175 – 305 cm (68.9" – 120.1")

Other options available on request.

Please indicate with order.

\*\* These lamps are equipped with 2 electronic transformers of 210 VA capacity each.



## MESA 24

chandelier

24 removable metal arms

total height: min. 95 (37.4") - max. 315 cm (53.1") \*

Ø: 140 cm (55.1")

lampholder: 24 x G4, max. 24 x 20 W / 12 V

bulb: 28 x OSRAM HALOSTAR 20 W incl.

dimmer: brightness control is possible \*\*

MESA 24 – Ms Solid brass polished, lacquered

MESA 24 – Mt Solid brass matt brushed, lacquered

MESA 24 – Ni Solid brass, nickel-plated

MESA 24 – Nm Solid brass nickel-plated, matt brushed

MESA 24 – Cr Solid brass, chrome-plated

Energy class: C

*This model will be sold with a class C bulb.*

4" junction box: covered

Additional USA 110 V conversion kit: **available on request**

\* telescopic adjustment:

total height 95 – 135 cm (37.4" – 53.1") (standard)

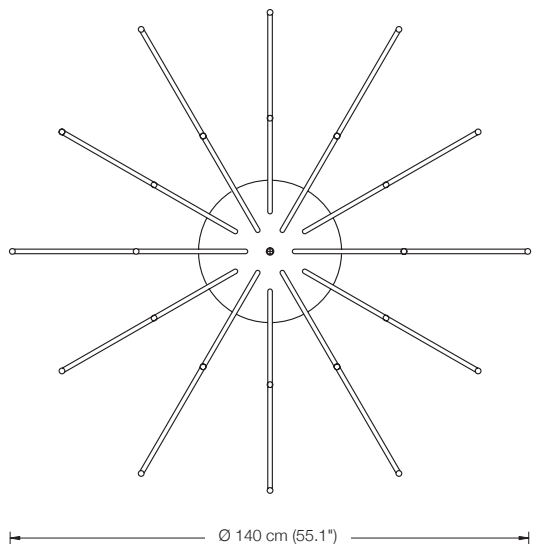
total height 125 – 195 cm (49.2" – 76.8")

total height 185 – 315 cm (72.8" – 124")

Other options available on request.

Please indicate with order.

\*\* These lamps are equipped with 3 electronic transformers of 210 VA capacity each.





## VAYO

floor lamp / reading lamp

height:	180 cm (70.9")
width reading lamp:	approx. 50 cm (19.7")
shade floor lamp:	glass white-opal, Ø 23 cm (9.1")
shade reading lamp:	TEFLON white Ø 7 cm (2.8")
lampholder floor lamp::	E27, max. 250 W / 230 V
bulb floor lamp:	1 x OS E27 Superstar, dimmable 2452 Lumen, 2700° K, 21 W $\hat{=}$ 150 W incl.
lampholder reading lamp:	GY6.35, max. 50 W / 12 V
bulb reading lamp:	OSRAM HALOSTAR ECO 35 W $\hat{=}$ 50 W incl.
electric wire:	4 m (13.1 ft)
dimmer:	2 x built in

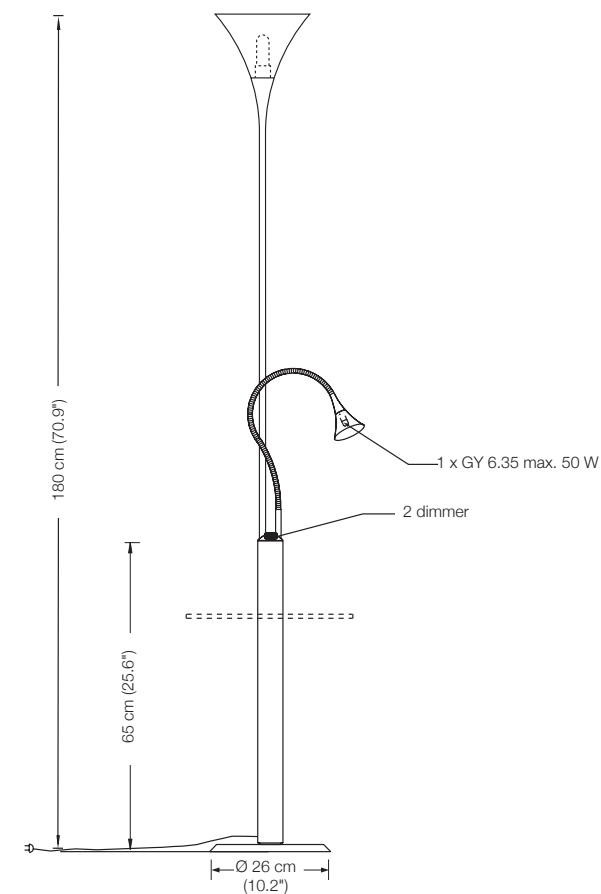
VAYO – Ms	Solid brass polished, lacquered
VAYO – Mt	Solid brass matt brushed, lacquered
VAYO – Ni	Solid brass, nickel-plated
VAYO – Nm	Solid brass nickel-plated, matt brushed
VAYO – Cr	Solid brass, chrome-plated

Optional: glass tabletop Ø 36 cm (14.2"), height 50 cm (19.7"), clear glass 10 mm (0.4")

Energy class floor lamp: A++ to E  
(Depending on the used bulb.)  
This model will be sold with a class A+ bulb.

Energy class reading lamp: B  
This model will be sold with a class B bulb.

Additional USA 110 V conversion kit: available on request



## OKON

floor lamp

height: 183 cm (72")  
shade: metal Ø 40 cm (15.7") bottom glass diffuser  
lampholder: R7s, max. 500 W  
bulb: OSRAM HALOLINE ECO 230 W incl.  
electric wire: 5 m (16.4 ft)  
Dimmer: built in

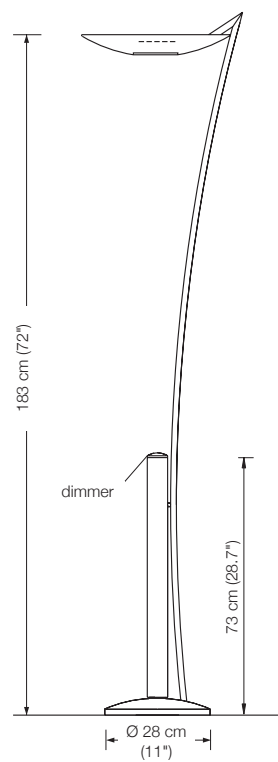
OKON – Ms Solid brass polished, lacquered  
OKON – Mt Solid brass matt brushed, lacquered  
OKON – Ni Solid brass, nickel-plated  
OKON – Nm Solid brass nickel-plated, matt brushed  
OKON – Cr Solid brass, chrome-plated

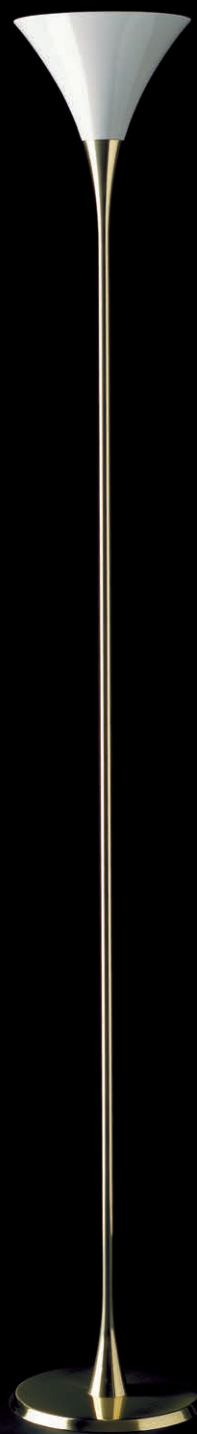
Energy class: D

*This model will be sold with a class D bulb.*

Additional USA 110 V conversion kit: **available on request**

110 V bulbs are not included





## LONEA

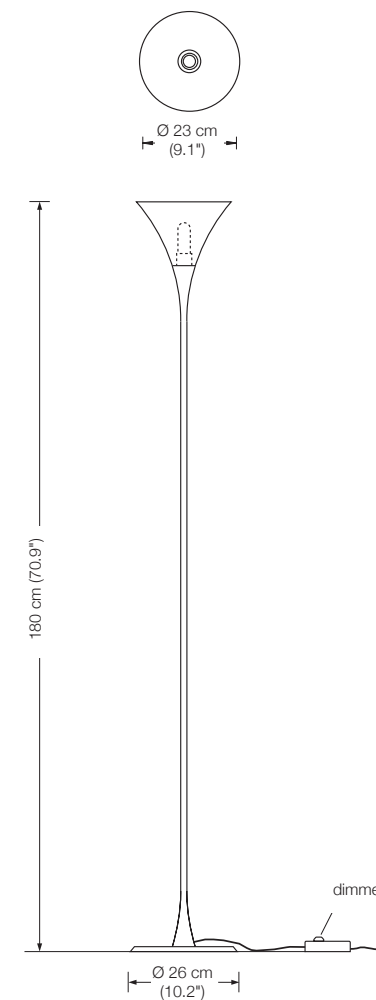
floor lamp

height: 180 cm (70.9")  
shade: glass white-opal, Ø 23 cm (9.1")  
lampholder:: E27, max. 250 W  
bulb: 1 x OS E27 Superstar, dimmable  
2452 Lumen, 2700° K, 21 W  $\hat{=}$  150 W incl.  
electric wire: 3 m (9.8 ft)  
dimmer: on cord

LONEA – Ms Solid brass polished, lacquered  
LONEA – Mt Solid brass matt brushed, lacquered  
LONEA – Ni Solid brass, nickel-plated  
LONEA – Nm Solid brass nickel-plated, matt brushed  
LONEA – Cr Solid brass, chrome-plated

Additional USA 110 V conversion kit: **available on request**  
110 V bulbs are not included

Energy class floor lamp: A++ to E  
(Depending on the used bulb.)  
This model will be sold with a class A+ bulb.



## LONEA SD

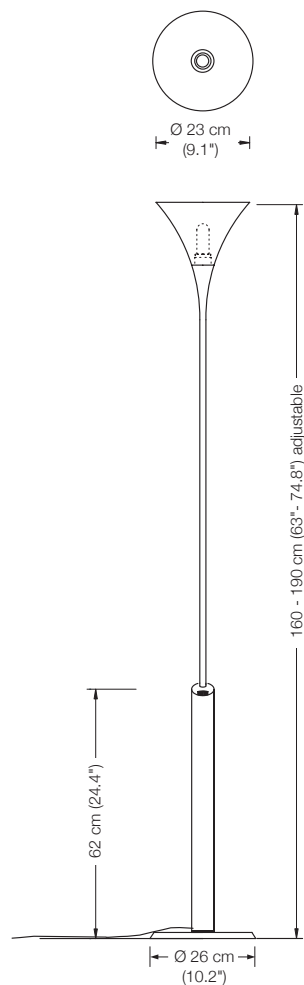
floor lamp

height: 160 - 190 cm (63" - 74.8") adjustable  
shade: glass white-opal, Ø 23 cm (9.1")  
lampholder:: E27, max. 250 W  
bulb: 1 x OS E27 Superstar, dimmable  
2452 Lumen, 2700° K, 21 W ≙ 150 W incl.  
dimmer: built in

LONEA SD – Ms	Solid brass polished, lacquered
LONEA SD – Mt	Solid brass matt brushed, lacquered
LONEA SD – Ni	Solid brass, nickel-plated
LONEA SD – Nm	Solid brass nickel-plated, matt brushed
LONEA SD – Cr	Solid brass, chrome-plated

Additional USA 110 V conversion kit: **available on request**  
110 V bulbs are not included

Energy class floor lamp: A++ to E  
(Depending on the used bulb.)  
This model will be sold with a class A+ bulb.





## MYOS

floor lamp / reading lamp

height:	182 cm (71.7")
width reading lamp:	approx. 50 cm (19.7")
shade floor lamp:	glass white-opal, Ø 26 cm (10.2")
shade reading lamp:	metal Ø 12 cm (4.7"), adjustable
lampholder floor lamp:	E27, max. 250 W
bulb floor lamp:	1 x OS E27 Superstar, dimmable 2452 Lumen, 2700° K, 21 W $\triangleq$ 150 W incl.
lampholder reading lamp:	GY6.35, max. 50 W / 12 V
bulb reading lamp:	OSRAM HALOSTAR ECO 35 W $\triangleq$ 50 W incl.
electric wire:	4 m (13.1 ft)
dimmer:	2 x built in

MYOS – Ms	Solid brass polished, lacquered
MYOS – Mt	Solid brass matt brushed, lacquered
MYOS – Ni	Solid brass, nickel-plated
MYOS – Nm	Solid brass nickel-plated, matt brushed
MYOS – Cr	Solid brass, chrome-plated

Optional:

glass tabletop Ø 36 cm (14.2"), height 50 cm (19.7"),  
clear glass 10 mm (0.4")

Energy class floor lamp: A++ to E

*(Depending on the used bulb.)*

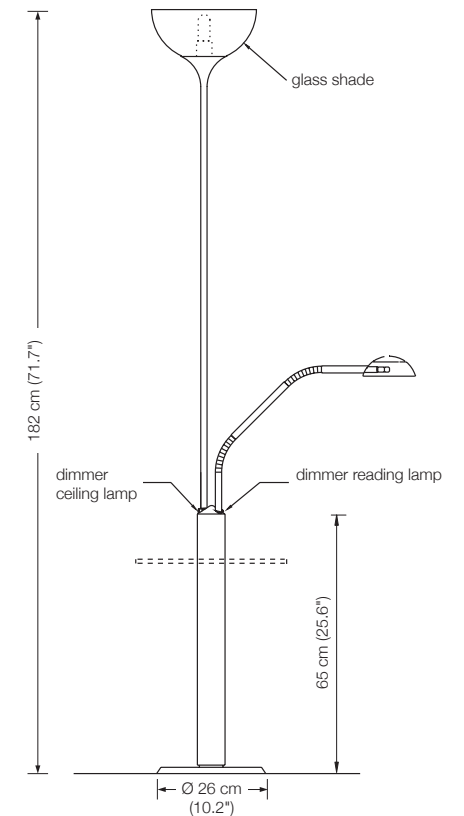
*This model will be sold with a class A+ bulb.*

Energy class reading lamp: B

*This model will be sold with a class B bulb.*

Additional USA 110 V conversion kit: available on request

110 V bulbs are not included





## MYOS T 40

floor lamp / reading lamp

height:	182 cm (71.7")
width reading lamp:	approx. 50 cm (19.7")
shade floor lamp:	glass white-opal, Ø 40 cm (15.7")
shade reading lamp:	metal Ø 12 cm (4.7"), adjustable
lampholder floor lamp:	E27, max. 250 W
bulb floor lamp:	1 x OS E27 Parathom, dimmable 1080 Lumen, 2700° K, 11 W $\hat{=}$ 75 W incl.
lampholder reading lamp:	GY6.35, max. 50 W / 12 V
bulb reading lamp:	OSRAM HALOSTAR ECO 35 W $\hat{=}$ 50 W incl.
dimmer:	2 x built in

MYOS T 40 – Ms	Solid brass polished, lacquered
MYOS T 40 – Mt	Solid brass matt brushed, lacquered
MYOS T 40 – Ni	Solid brass, nickel-plated
MYOS T 40 – Nm	Solid brass nickel-plated, matt brushed
MYOS T 40 – Cr	Solid brass, chrome-plated

Optional: glass tabletop Ø 36 cm (14.2"), height 50 cm (19.7"), clear glass 10 mm (0.4")

## MYOS T 55

floor lamp / reading lamp

height:	182 cm (71.7")
width reading lamp:	approx. 50 cm (19.7")
shade floor lamp:	glass white-opal, Ø 55 cm (21.7")
shade reading lamp:	metal Ø 12 cm (4.7"), adjustable
lampholder floor lamp:	E27, max. 250 W
bulb floor lamp:	1 x OS E27 Parathom, dimmable 1080 Lumen, 2700° K, 11 W $\hat{=}$ 75 W incl.
lampholder reading lamp:	GY6.35, max. 50 W / 12 V
bulb reading lamp:	OSRAM HALOSTAR ECO 35 W $\hat{=}$ 50 W incl.
dimmer:	2 x built in

MYOS T 55 – Ms	Solid brass polished, lacquered
MYOS T 55 – Mt	Solid brass matt brushed, lacquered
MYOS T 55 – Ni	Solid brass, nickel-plated
MYOS T 55 – Nm	Solid brass nickel-plated, matt brushed
MYOS T 55 – Cr	Solid brass, chrome-plated

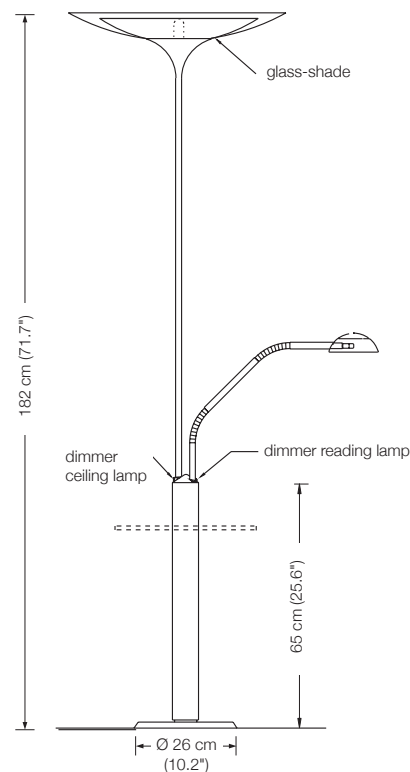
Optional: glass tabletop Ø 36 cm (14.2"), height 50 cm (19.7"), clear glass 10 mm (0.4")

Energy class floor lamp MYOS T 40 / 55: A++ bis E  
(Depending on the used bulb.)

This model will be sold with a class A+ bulb.

Energy class reading lamp MYOS T 40 / 55: B

This model will be sold with a class B bulb.



Additional USA 110 V conversion kit  
(MYOS / MYOS T): available on request  
110 V bulbs are not included





**TAOS 55**  
 floor lamp  
 height: 160 - 210 cm (63" - 82.7") adjustable  
 shade: glass white-opal Ø 55 cm (21.7")  
 lampholder: E27, max. 250 W  
 bulb: 1 x OS E27 Parathom, dimmable  
 1080 Lumen, 2700° K, 11 W  $\triangleq$  75 W incl.  
 electric wire: 3 m (9.8 ft)  
 dimmer: on cord

TAOS 55 – Ms Solid brass polished, lacquered  
 TAOS 55 – Mt Solid brass matt brushed, lacquered  
 TAOS 55 – Ni Solid brass, nickel-plated  
 TAOS 55 – Nm Solid brass nickel-plated, matt brushed  
 TAOS 55 – Cr Solid brass, chrome-plated

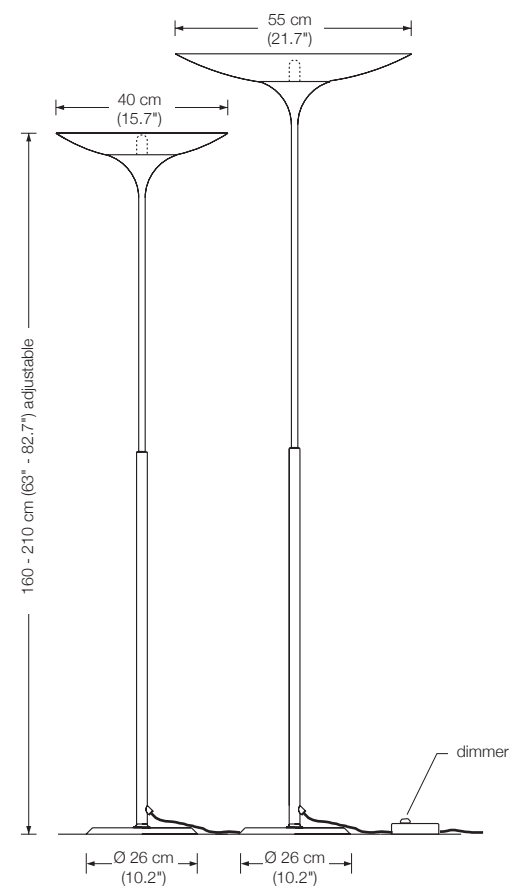
Additional USA 110 V conversion kit: **available on request**  
 110 V bulbs are not included

**TAOS 40**  
 floor lamp  
 height: 160 - 210 cm (63" - 82.7") adjustable  
 shade: glass white-opal Ø 40 cm (15.7")  
 lampholder: E27, max. 250 W  
 bulb: 1 x OS E27 Parathom, dimmable  
 1080 Lumen, 2700° K, 11 W  $\triangleq$  75 W incl.  
 electric wire: 3 m (9.8 ft)  
 dimmer: on cord

TAOS 40 – Ms Solid brass polished, lacquered  
 TAOS 40 – Mt Solid brass matt brushed, lacquered  
 TAOS 40 – Ni Solid brass, nickel-plated  
 TAOS 40 – Nm Solid brass nickel-plated, matt brushed  
 TAOS 40 – Cr Solid brass, chrome-plated

Additional USA 110 V conversion kit: **available on request**  
 110 V bulbs are not included

Energy class TAOS 55 / 40: A++ to E  
 (Depending on the used bulb.)  
 This model will be sold with a class A+ bulb.



### TAOS 55 SD

floor lamp

height: 160 - 190 cm (63" - 74.8") adjustable  
shade: glass white-opal Ø 55 cm (21.7")  
lampholder: E27, max. 250 W  
bulb: 1 x OS E27 Parathom, dimmable  
1080 Lumen, 2700° K, 11 W  $\triangleq$  75 W incl.  
electric wire: 3 m (9.8 ft)  
dimmer: built in

TAOS 55 SD – Ms Solid brass polished, lacquered  
TAOS 55 SD – Mt Solid brass matt brushed, lacquered  
TAOS 55 SD – Ni Solid brass, nickel-plated  
TAOS 55 SD – Nm Solid brass nickel-plated, matt brushed  
TAOS 55 SD – Cr Solid brass, chrome-plated

Additional USA 110 V conversion kit: **available on request**  
110 V bulbs are not included

### TAOS 40 SD

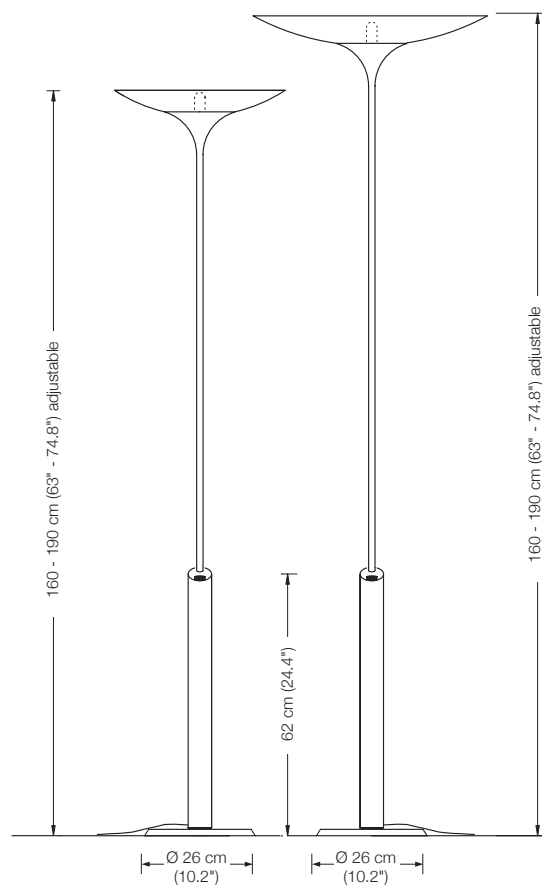
floor lamp

height: 160 - 190 cm (63" - 74.8") adjustable  
shade: glass white-opal Ø 40 cm (15.7")  
lampholder: E27, max. 250 W  
bulb: 1 x OS E27 Parathom, dimmable  
1080 Lumen, 2700° K, 11 W  $\triangleq$  75 W incl.  
electric wire: 3 m (9.8 ft)  
dimmer: built in

TAOS 40 SD – Ms Solid brass polished, lacquered  
TAOS 40 SD – Mt Solid brass matt brushed, lacquered  
TAOS 40 SD – Ni Solid brass, nickel-plated  
TAOS 40 SD – Nm Solid brass nickel-plated, matt brushed  
TAOS 40 SD – Cr Solid brass, chrome-plated

Additional USA 110 V conversion kit: **available on request**  
110 V bulbs are not included

Energy class TAOS 55 SD / 40 SD: A++ to E  
(Depending on the used bulb.)  
This model will be sold with a class A+ bulb.





## UNA

arc floor lamp  
mounting between floor and ceiling  
variable up to 3.20 m (126") room height  
arc height adjustable

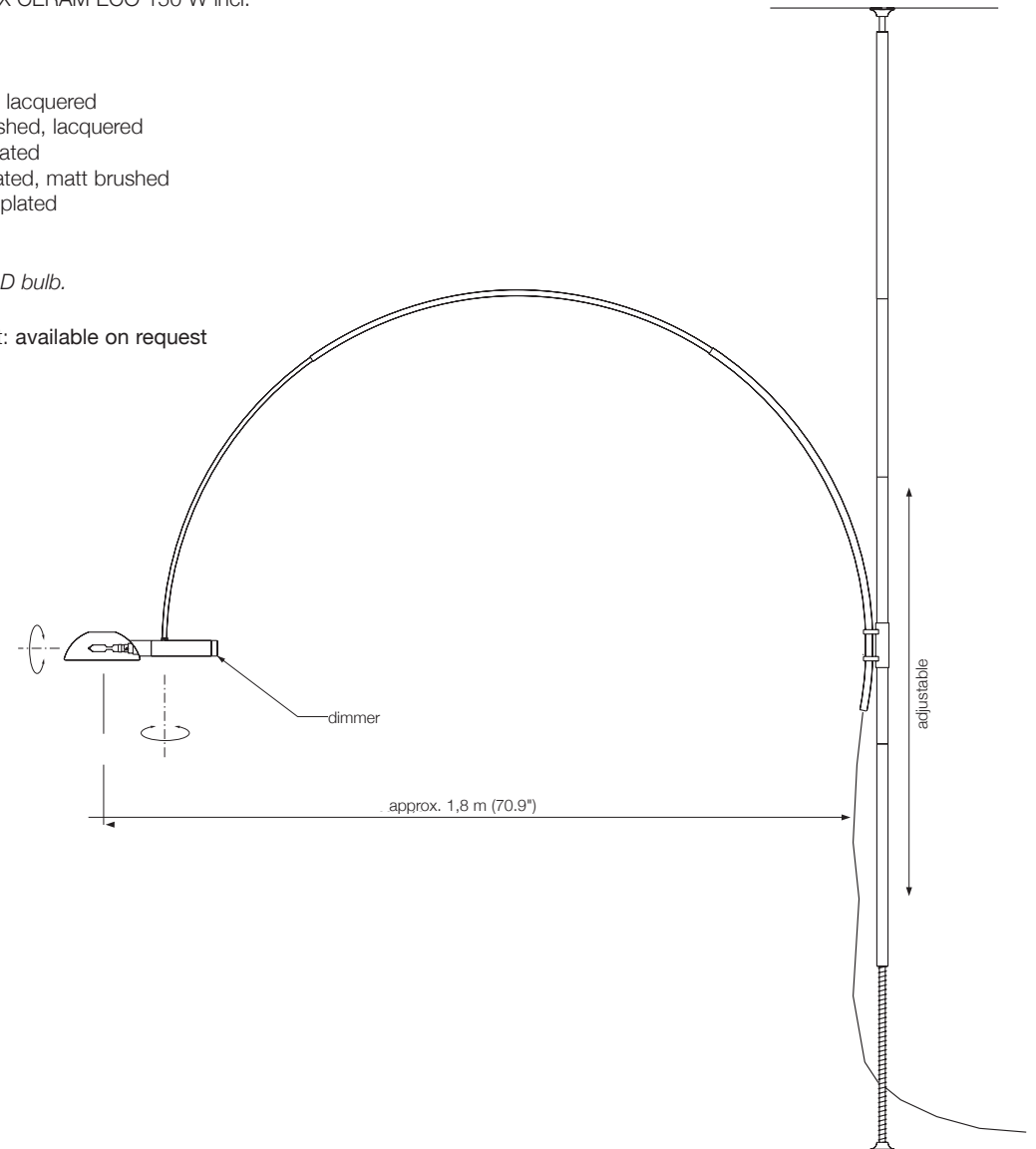
shade: metal, Ø 17 cm (6.7"), rotatable  
lampholder: B15d, max. 250 W  
bulb: OSRAM HALOLUX CERAM ECO 150 W incl.  
electric wire: 5 m (16.4 ft)  
dimmer: built in

UNA – Ms Solid brass polished, lacquered  
UNA – Mt Solid brass matt brushed, lacquered  
UNA – Ni Solid brass, nickel-plated  
UNA – Nm Solid brass nickel-plated, matt brushed  
UNA – Cr Solid brass, chrome-plated

Energy class: D

*This model will be sold with a class D bulb.*

Additional USA 110 V conversion kit: available on request



## STE

floor reading lamp

height: adjustable  
shade: silk\*  
lampholder: E27, max. 250 W  
bulb: 1 x OS E27 Parathom, dimmable  
1080 Lumen, 2700° K, 11 W  $\hat{=}$  75 W incl.  
electric wire: 3 m (9.8 ft) textile cable black (standard)  
dimmer: on cord

STE – Ms Solid brass polished, lacquered  
STE – Mt Solid brass matt brushed, lacquered  
STE – Ni Solid brass, nickel-plated  
STE – Nm Solid brass nickel-plated, matt brushed  
STE – Cr Solid brass, chrome-plated

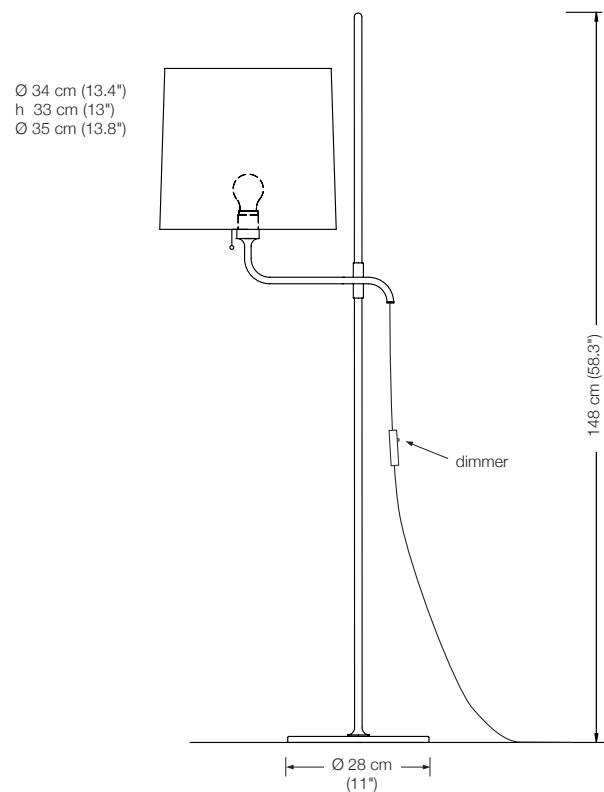
Additional USA 110 V conversion kit: **available on request**

Energy class: A++ to E

*(Depending on the used bulb.)*

*This model will be sold with a class A+ bulb.*

\* fabric required: 120 x 60 cm (47.2" x 23.6")





## DROP

floor reading lamp / piano light

height: adjustable from 80 – 135 cm (31.5" – 53.1")

width: 70 cm (27.6")

shade: Ø 3 cm (1.2"), approx. 34 cm (13.4") long, 180° rotatable

bulb: LED-Line TW (approx. 18,6 W) incl., exchangeable  
approx. 1800 Lumen

color temperature: infinitely variable from 2700° – 5700° K

push button 1: tuning white

push button 2: on / off / dimming

colour rendering: > 92 Ra

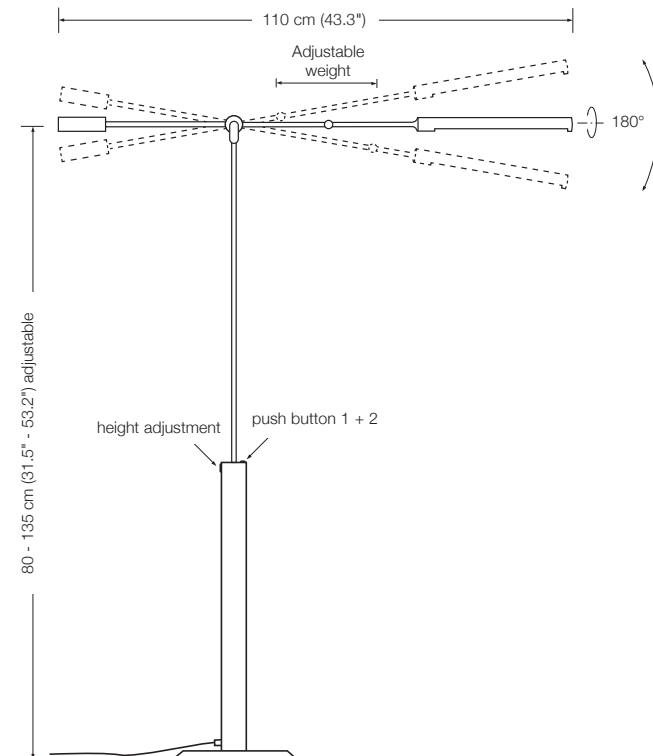
electric wire: 2,5 m (8.2 ft)

dimmer: built in

DROP – Ms	Solid brass polished, lacquered
DROP – Mt	Solid brass matt brushed, lacquered
DROP – Ni	Solid brass, nickel-plated
DROP – Nm	Solid brass nickel-plated, matt brushed
DROP – Cr	Solid brass, chrome-plated

US Plug Adapter: **available on request**

Energy class: A++ to A







## PIN

floor reading lamp

height: 100 - 135 cm (39.4" - 53.2") adjustable  
 width: approx. 52 cm (20.5")  
 bulb: LED-Line 150 (approx. 6,4 Watt) incl.  
 exchangeable  
 approx. 650 Lumen  
 color temperature: warmwhite 2700 Kelvin  
 colour rendering: > 90 Ra  
 electric wire: 3 m (9.8 ft)

PIN – Ms Solid brass polished, lacquered  
 PIN – Mt Solid brass matt brushed, lacquered  
 PIN – Ni Solid brass, nickel-plated  
 PIN – Nm Solid brass nickel-plated, matt brushed  
 PIN – Cr Solid brass, chrome-plated

Additional USA 110 V conversion kit: **available on request**

Energy class: A++ to A

## PIN d

floor reading lamp

height: 105 - 140 cm (41.3" - 55.1") adjustable  
 width: approx. 52 cm (20.5")  
 bulb: LED-Line 150 (approx. 8,4 Watt) incl.  
 exchangeable  
 approx. 840 Lumen  
 color temperature: warmwhite 2700 Kelvin  
 colour rendering: > 90 Ra  
 electric wire: 3 m (9.8 ft)  
 dimmer: built in

PIN d – Ms Solid brass polished, lacquered  
 PIN d – Mt Solid brass matt brushed, lacquered  
 PIN d – Ni Solid brass, nickel-plated  
 PIN d – Nm Solid brass nickel-plated, matt brushed  
 PIN d – Cr Solid brass, chrome-plated

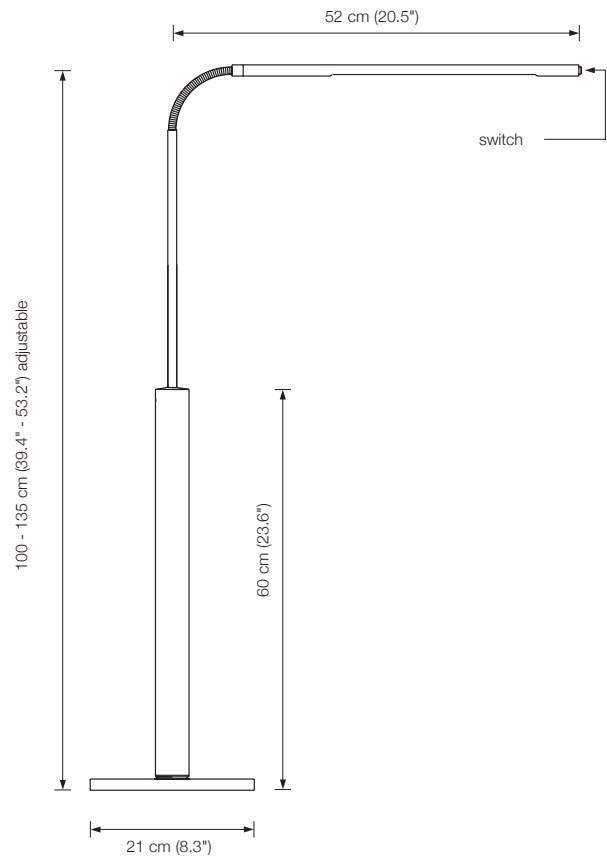
Additional USA 110 V conversion kit: **available on request**

US Plug Adapter: **available on request**

Energy class: A++ to A









## INAS

floor reading lamp

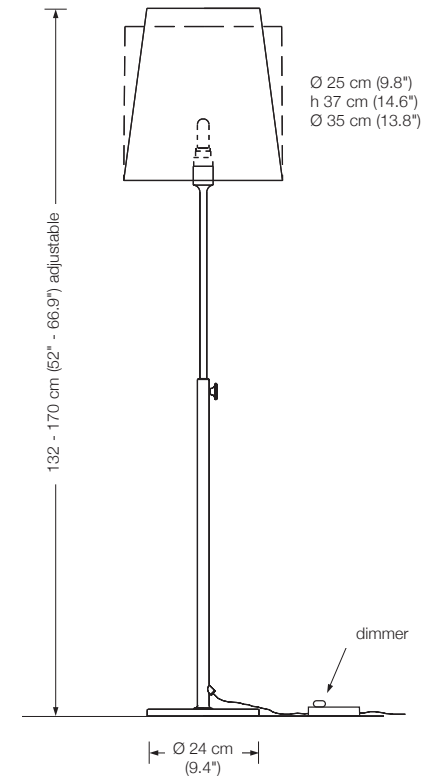
height: 132 - 170 cm (52" - 66.9") adjustable  
 shade: silk, conical or straight\*  
 lampholder: E27, max. 250 W  
 bulb: 1 x OS E27 Parathom, dimmable  
 1080 Lumen, 2700° K, 11 W  $\hat{=}$  75 W incl.  
 electric wire: 4 m (13.1 ft)  
 dimmer: on cord

INAS – Ms Solid brass polished, lacquered  
 INAS – Mt Solid brass matt brushed, lacquered  
 INAS – Ni Solid brass, nickel-plated  
 INAS – Nm Solid brass nickel-plated, matt brushed  
 INAS – Cr Solid brass, chrome-plated

Energy class: A++ to E  
 (Depending on the used bulb.)  
 This model will be sold with a class A+ bulb.

Additional USA 110 V conversion kit: available on request  
 110 V bulbs not incl.

\* Please indicate with order.  
 fabric required: 120 x 60 cm (47.3" x 23.6")



## INAS SD

floor reading lamp

height: 155 - 185 cm (61" - 72.8") adjustable  
shade: silk, conical or straight\*  
lampholder: E27, max. 250 W  
bulb: 1 x OS E27 Parathom, dimmable  
1080 Lumen, 2700° K, 11 W  $\hat{=}$  75 W incl.  
electric wire: 4 m (13.1 ft)  
dimmer: built in

INAS SD – Ms Solid brass polished, lacquered  
INAS SD – Mt Solid brass matt brushed, lacquered  
INAS SD – Ni Solid brass, nickel-plated  
INAS SD – Nm Solid brass nickel-plated, matt brushed  
INAS SD – Cr Solid brass, chrome-plated

Energy class: A++ to E

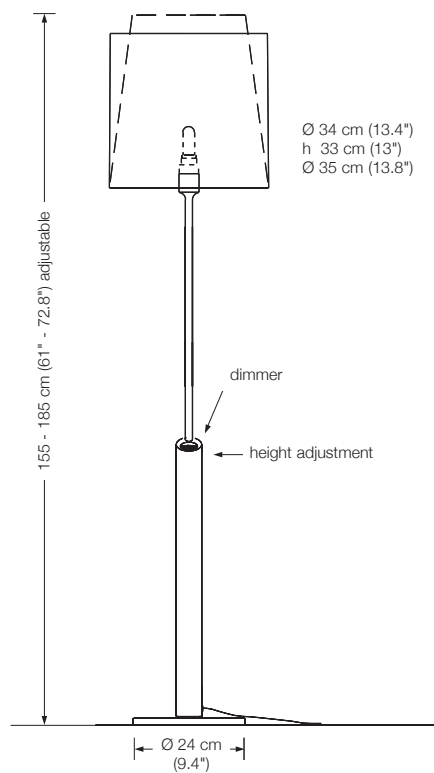
*(Depending on the used bulb.)*

*This model will be sold with a class A+ bulb.*

Additional USA 110 V conversion kit: **available on request**  
110 V bulbs not incl.

\* Please indicate with order.

fabric required: 120 x 60 cm (47.3" x 23.6")



## YON

floor reading lamp

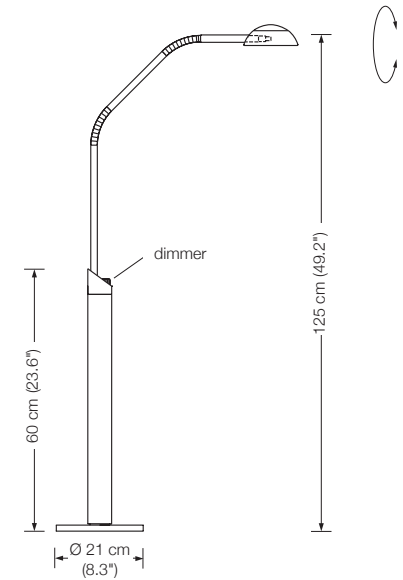
height: adjustable  
shade: metal Ø 12 cm (4.7"), rotatable  
lampholder: GY6.35, max. 50 W / 12 V  
bulb: OSRAM HALOSTAR ECO 35 W  $\triangleq$  50 W incl.  
electric wire: 4 m (13.1 ft)  
dimmer: on cord

YON – Ms Solid brass polished, lacquered  
YON – Mt Solid brass matt brushed, lacquered  
YON – Ni Solid brass, nickel-plated  
YON – Nm Solid brass nickel-plated, matt brushed  
YON – Cr Solid brass, chrome-plated

Energy class: B

*This model will be sold with a class B bulb.*

Additional USA 110 V conversion kit: **available on request**



## YON G

floor reading lamp

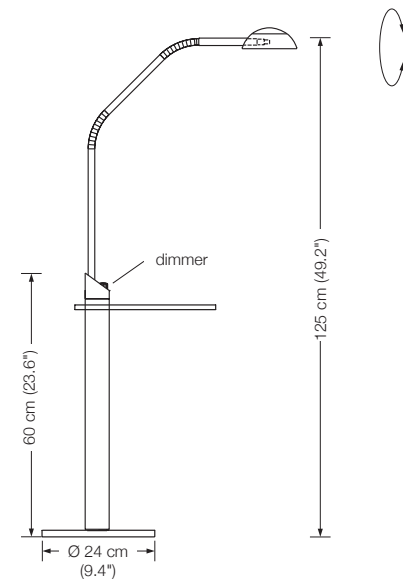
with glass tabletop Ø 30 cm (11.8"), clear glass  
height: adjustable  
shade: metal Ø 12 cm (4.7"), rotatable  
lampholder: GY6.35, max. 50 W / 12 V  
bulb: OSRAM HALOSTAR ECO 35 W  $\triangleq$  50 W incl.  
electric wire: 4 m (13.1 ft)  
dimmer: on cord

YON G – Ms Solid brass polished, lacquered  
YON G – Mt Solid brass matt brushed, lacquered  
YON G – Ni Solid brass, nickel-plated  
YON G – Nm Solid brass nickel-plated, matt brushed  
YON G – Cr Solid brass, chrome-plated

Energy class: B

*This model will be sold with a class B bulb.*

Additional USA 110 V conversion kit: **available on request**







## CERVANTES

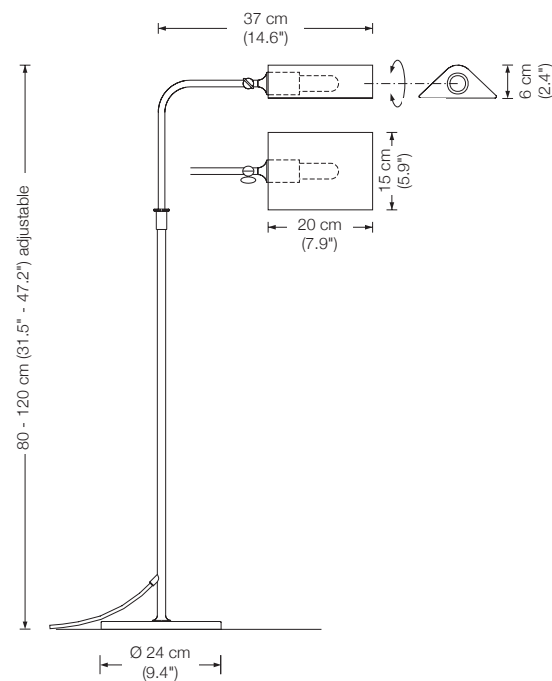
floor reading lamp

height: 80 - 120 cm (31.5" - 47.2") adjustable  
 shade: metal, rotatable  
 lampholder: E27, max. 100 W  
 bulb: 1 x OS E27 Parathom, dimmable  
 1080 Lumen, 2700° K, 11 W  $\hat{=}$  75 W incl.  
 electric wire: 4 m (13.1 ft)  
 dimmer: on cord

CERVANTES – Ms Solid brass polished, lacquered  
 CERVANTES – Mt Solid brass matt brushed, lacquered  
 CERVANTES – Ni Solid brass, nickel-plated  
 CERVANTES – Nm Solid brass nickel-plated, matt brushed  
 CERVANTES – Cr Solid brass, chrome-plated

Additional USA 110 V conversion kit: **available on request**  
 110 V bulbs not incl.

Energy class: A++ to E  
 (Depending on the used bulb.)  
 This model will be sold with a class A+ bulb.





## LESAN M

floor reading lamp

height: 90 - 135 cm (35.4" - 53.1") adjustable  
 shade: metal Ø 28 cm (11")  
 lampholder: E27, max. 100 W  
 bulb: 1 x OS E27 Parathom, dimmable  
 1080 Lumen, 2700° K, 11 W  $\hat{=}$  75 W incl.  
 electric wire: 3 m (9.8 ft)  
 dimmer: on cord

LESAN M – Ms Solid brass polished, lacquered  
 LESAN M – Mt Solid brass matt brushed, lacquered  
 LESAN M – Ni Solid brass, nickel-plated  
 LESAN M – Nm Solid brass nickel-plated, matt brushed  
 LESAN M – Cr Solid brass, chrome-plated

Energy class: A++ to E  
 (Depending on the used bulb.)  
 This model will be sold with a class A+ bulb.

Additional USA 110 V conversion kit: **available on request**  
 110 V bulbs not incl.

## LESAN S

floor reading lamp

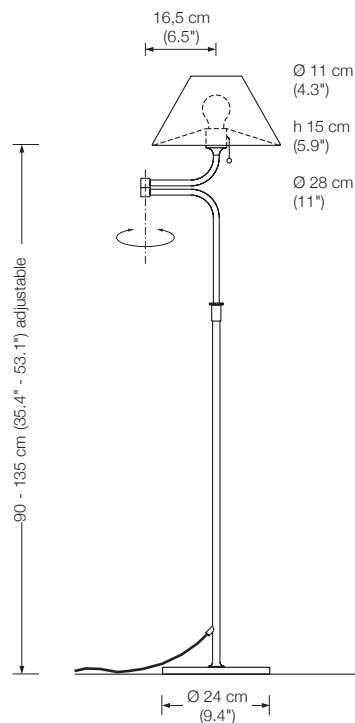
height: 90 - 135 cm (35.4" - 53.1") adjustable  
 shade: silk\* Ø 28 cm (11")  
 lampholder: E27, max. 100 W  
 bulb: 1 x OS E27 Parathom, dimmable  
 1080 Lumen, 2700° K, 11 W  $\hat{=}$  75 W incl.  
 electric wire: 3 m (9.8 ft)  
 dimmer: on cord

LESAN S – Ms Solid brass polished, lacquered  
 LESAN S – Mt Solid brass matt brushed, lacquered  
 LESAN S – Ni Solid brass, nickel-plated  
 LESAN S – Nm Solid brass nickel-plated, matt brushed  
 LESAN S – Cr Solid brass, chrome-plated

Energy class: A++ to E  
 (Depending on the used bulb.)  
 This model will be sold with a class A+ bulb.

Additional USA 110 V conversion kit: **available on request**  
 110 V bulbs not incl.

\* fabric required: 50 x 80 cm (19.7" x 31.5")





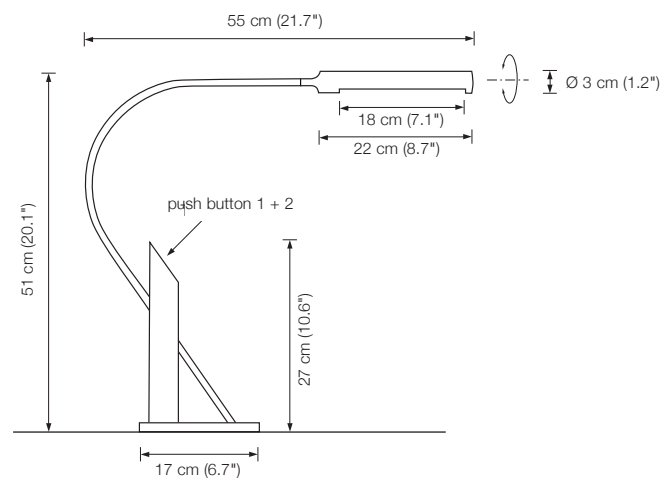
## TOPAN

table lamp  
 height: 51 cm (20.1")  
 width: 55 cm (21.7")  
 shade: Ø 3 cm (1.2"), approx. 23 cm (9.1") long, 180° rotatable  
 bulb: LED-Line TW (approx. 12,5 W) incl., exchangeable  
 approx. 1330 Lumen  
 color temperature: infinitely variable from 2700° – 5700° K  
 push button 1: tuning white  
 push button 2: on / off / dimming  
 colour rendering: > 92 Ra  
 electric wire: 2,5 m (8.2 ft)  
 dimmer: built in

TOPAN – Ms Solid brass polished, lacquered  
 TOPAN – Mt Solid brass matt brushed, lacquered  
 TOPAN – Ni Solid brass, nickel-plated  
 TOPAN – Nm Solid brass nickel-plated, matt brushed  
 TOPAN – Cr Solid brass, chrome-plated

US Plug Adapter: available on request

Energy class: A++ to A





## TOLED

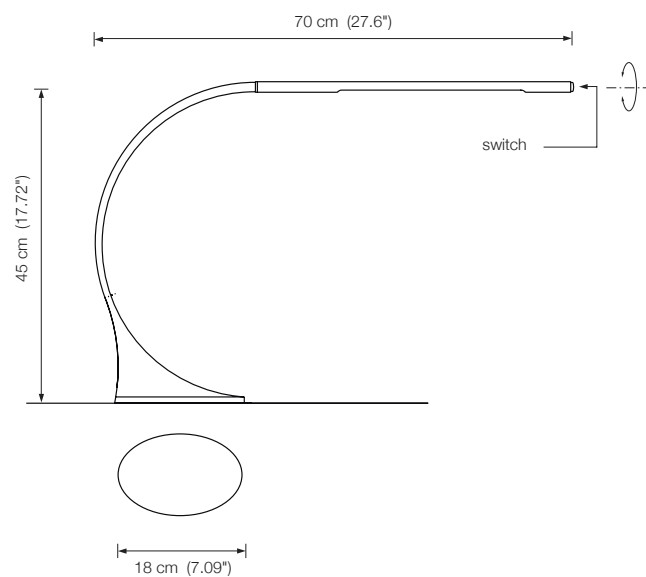
desk lamp

height: 45 cm (17.7")  
width: 70 cm (27.6")  
shade: rotatable  
bulb: LED-Line 150 (approx. 6 Watt) incl.  
exchangeable  
approx. 600 Lumen  
color temperature: warmwhite 2700 Kelvin  
colour rendering: > 90 Ra  
electric wire: 2,5 m (8.2 ft)

TOLED – Ms Solid brass polished, lacquered  
TOLED – Mt Solid brass matt brushed, lacquered  
TOLED – Ni Solid brass, nickel-plated  
TOLED – Nm Solid brass nickel-plated, matt brushed  
TOLED – Cr Solid brass, chrome-plated

Energy class: A++ to A

Additional USA 110 V conversion kit: **available on request**





## PIN T

desk lamp

height: 45 cm (17.7")

width: 70 cm (27.6")

shade: rotatable

bulb: LED-Line 150 (approx. 6 Watt) incl.  
exchangeable  
approx. 600 Lumen

color temperature: warmwhite 2700 Kelvin

colour rendering: > 90 Ra

electric wire: 3 m (9.8 ft)

PIN T – Ms Solid brass polished, lacquered

PIN T – Mt Solid brass matt brushed, lacquered

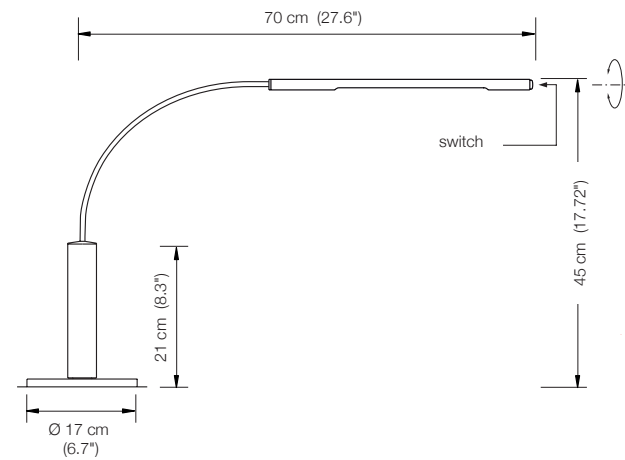
PIN T – Ni Solid brass, nickel-plated

PIN T – Nm Solid brass nickel-plated, matt brushed

PIN T – Cr Solid brass, chrome-plated

Energy class: A++ to A

Additional USA 110 V conversion kit: **available on request**



## YON T

table lamp

shade: metal Ø 12 cm (4.7"), adjustable

lampholder: GY 6.35, max. 50 W / 12 V

bulb: OSRAM HALOSTAR ECO 35 W  $\hat{=}$  50 W incl.

electric wire: 2,5 m (8.2 ft)

dimmer: built in

YON T – Ms Solid brass polished, lacquered

YON T – Mt Solid brass matt brushed, lacquered

YON T – Ni Solid brass, nickel-plated

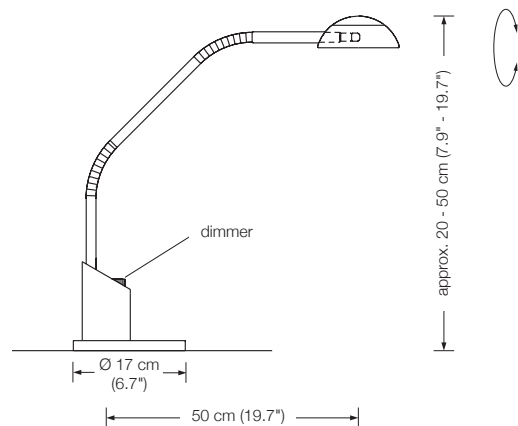
YON T – Nm Solid brass nickel-plated, matt brushed

YON T – Cr Solid brass, chrome-plated

Energy class: B

*This model will be sold with a class B bulb.*

Additional USA 110 V conversion kit: available on request





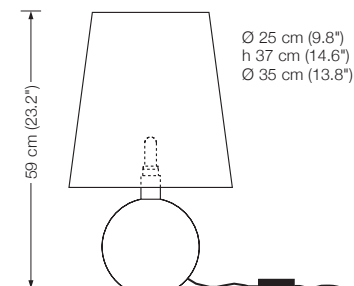
## ORA 20

table lamp  
 metal ball Ø 20 cm (7.9")  
 height: 59 cm (23.2")  
 shade: silk\*  
 lampholder: E27, max. 150 W  
 bulb: 1 x OS E27 Parathom, dimmable  
 1080 Lumen, 2700° K, 11 W ≙ 75 W incl.  
 electric wire: 3 m (9.8 ft)  
 dimmer: on cord

ORA 20 – Ms Solid brass polished, lacquered  
 ORA 20 – Mt Solid brass matt brushed, lacquered  
 ORA 20 – Ni Solid brass, nickel-plated  
 ORA 20 – Nm Solid brass nickel-plated, matt brushed  
 ORA 20 – Cr Solid brass, chrome-plated

Additional USA 110 V conversion kit: **available on request**  
 110 V bulbs not included

\* fabric required: 120 x 60 cm (47.2" x 23.6")



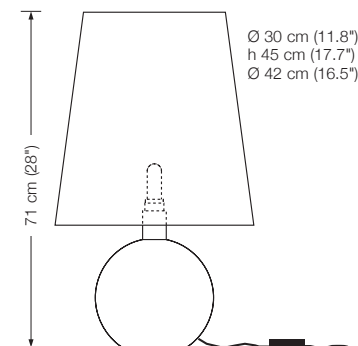
## ORA 25

table lamp  
 metal ball Ø 25 cm (9.8")  
 height: 71 cm (28")  
 shade: silk\*  
 lampholder: E27, max. 150 W  
 bulb: 1 x OS E27 Parathom, dimmable  
 1080 Lumen, 2700° K, 11 W ≙ 75 W incl.  
 electric wire: 3 m (9.8 ft)  
 dimmer: on cord

ORA 25 – Ms Solid brass polished, lacquered  
 ORA 25 – Mt Solid brass matt brushed, lacquered  
 ORA 25 – Ni Solid brass, nickel-plated  
 ORA 25 – Nm Solid brass nickel-plated, matt brushed  
 ORA 25 – Cr Solid brass, chrome-plated

Additional USA 110 V conversion kit: **available on request**  
 110 V bulbs not included

\* fabric required: 140 x 70 cm (55.1" x 27.6")



Energy class ORA 20 / 25: A++ to E  
 (Depending on the used bulb.)  
 This model will be sold with a class A+ bulb.

## ELAS

table lamp

height: 50 - 70 cm (19.7" - 27.6") adjustable  
shade: metal Ø 28 cm (11")  
lampholder: E27, max. 100 W  
bulb: 1 x OS E27 Parathom, dimmable  
1080 Lumen, 2700° K, 11 W  $\hat{=}$  75 W incl.  
electric wire: 2,5 m (8.2 ft)  
dimmer: on cord

ELAS – Ms Solid brass polished, lacquered  
ELAS – Mt Solid brass matt brushed, lacquered  
ELAS – Ni Solid brass, nickel-plated  
ELAS – Nm Solid brass nickel-plated, matt brushed  
ELAS – Cr Solid brass, chrome-plated

Energy class: A++ to E

(Depending on the used bulb.)

This model will be sold with a class A+ bulb.

Additional USA 110 V conversion ki: **available on request**  
110 V bulbs not included

## ELAS S

table lamp

height: 50 - 70 cm (19.7" - 27.6") adjustable  
shade: silk\* Ø 28 cm (11")  
lampholder: E27, max. 100 W  
bulb: 1 x OS E27 Parathom, dimmable  
1080 Lumen, 2700° K, 11 W  $\hat{=}$  75 W incl.  
electric wire: 2,5 m (8.2 ft)  
dimmer: on cord

ELAS S – Ms Solid brass polished, lacquered  
ELAS S – Mt Solid brass matt brushed, lacquered  
ELAS S – Ni Solid brass, nickel-plated  
ELAS S – Nm Solid brass nickel-plated, matt brushed  
ELAS S – Cr Solid brass, chrome-plated

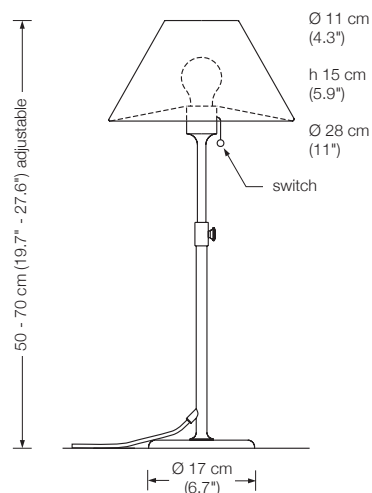
Energy class: A++ to E

(Depending on the used bulb.)

This model will be sold with a class A+ bulb.

Additional USA 110 V conversion kit: **available on request**  
110 V bulbs not included

\* fabric required: 50 x 80 cm (19.7" x 31.5")





## TOA

table lamp

flexible and specially reinforced metal arm

height: up to max. 50 cm (19.7")

shade: TEFLON white, Ø 7 cm (2.8")

lampholder: GY6.35, max. 20 W / 12 V

Leuchtmittel: OSRAM HALOSTAR ECO 35 W  $\triangleq$  50 W incl.

electric wire: 2,5 m (8.2 ft)

dimmer: built in

TOA – Ms Solid brass polished, lacquered

TOA – Mt Solid brass matt brushed, lacquered

TOA – Ni Solid brass, nickel-plated

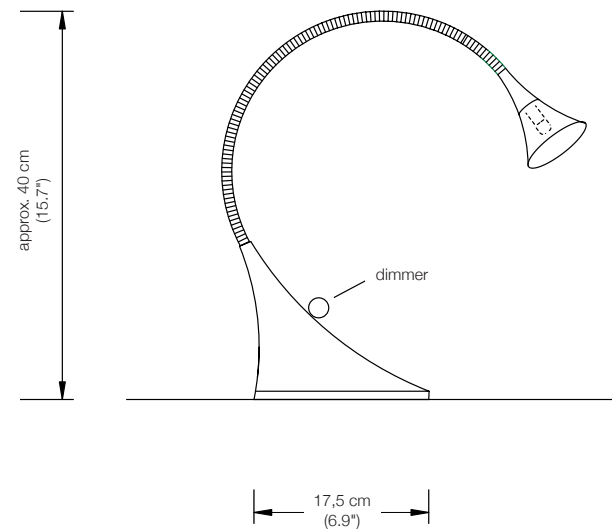
TOA – Nm Solid brass nickel-plated, matt brushed

TOA – Cr Solid brass, chrome-plated

Energy class: B

*This model will be sold with a class B bulb.*

Additional USA 110 V conversion kit: **available on request**



## ESA

table lamp  
flexible and specially reinforced metal arm

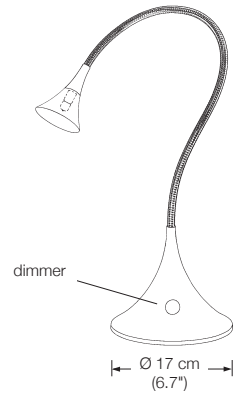
height: up to 50 cm (19.7")  
shade: TEFLON white, Ø 7 cm (2.8")  
lampholder: GY 6.35, max. 20 W  
bulb: OSRAM HALOSTAR IRC 20 W incl.  
electric wire: 2,5 m (8.2 ft)  
dimmer: built in

ESA – Ms Solid brass polished, lacquered  
ESA – Mt Solid brass matt brushed, lacquered  
ESA – Ni Solid brass, nickel-plated  
ESA – Nm Solid brass nickel-plated, matt brushed  
ESA – Cr Solid brass, chrome-plated

Energy class: C

*This model will be sold with a class C bulb.*

Additional USA 110 V conversion kit: available on request





### PIN W dim

wall lamp

height: 48 cm (18.9")

width: 65 cm (25.6")

bulb: LED-Line 150 (approx. 8,4 Watt) incl.  
exchangeable  
approx. 840 Lumen

color temperature: warmwhite 2700 Kelvin

colour rendering: > 90 Ra

dimmer: built in

PIN W dim – Ms Solid brass polished, lacquered

PIN W dim – Mt Solid brass matt brushed, lacquered

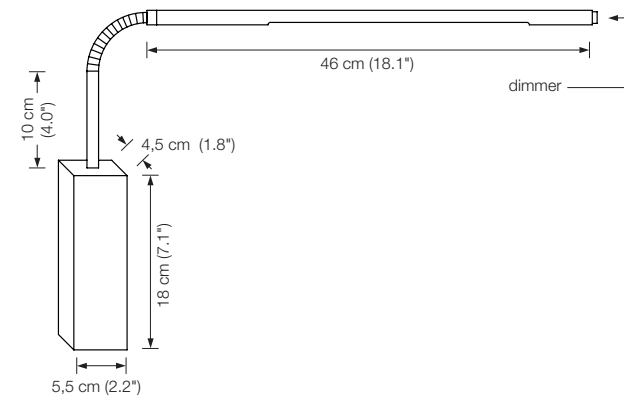
PIN W dim – Ni Solid brass, nickel-plated

PIN W dim – Nm Solid brass nickel-plated, matt brushed

PIN W dim – Cr Solid brass, chrome-plated

Energy class: A++ to A

Additional USA 110 V conversion kit: **available on request**





## WED

wall lamp

width: 40 cm (15.7")

lampholder: GU5.3

bulb: Philips MASTER LEDspot 8 - 50 W incl.

MR16 830 36° DIM

approx. 660 Lumen

color temperature: warmwhite 2700 Kelvin

colour rendering: > 82 Ra

WED – Ms Solid brass polished, lacquered

WED – Mt Solid brass matt brushed, lacquered

WED – Ni Solid brass, nickel-plated

WED – Nm Solid brass nickel-plated, matt brushed

WED – Cr Solid brass, chrome-plated

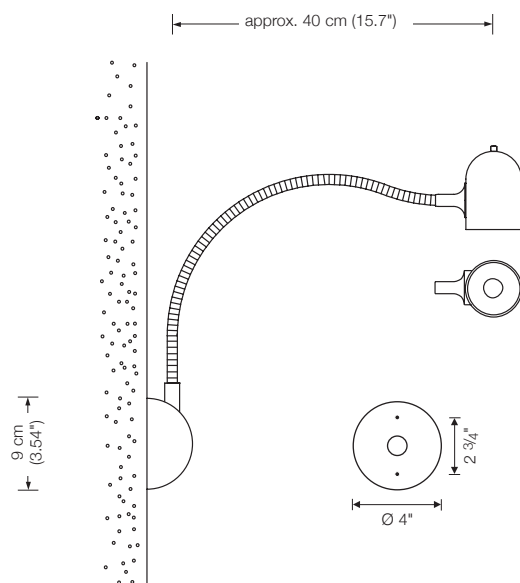
Energy class: A++ to A

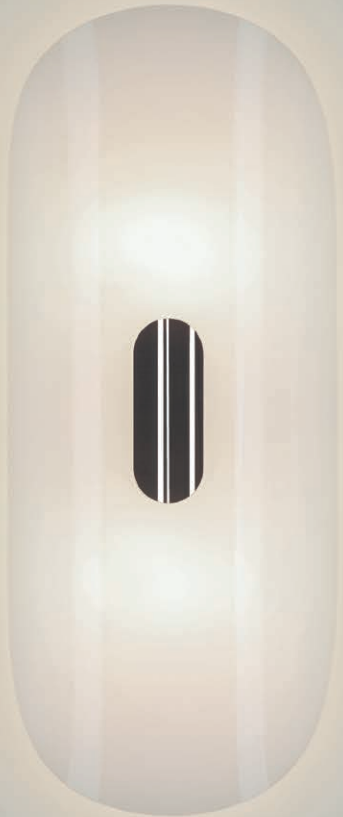
Replacement bulbs can be ordered through VS Manufaktur.

4" junction box: not covered

Backplate Ø 12 cm (4.72") (please indicate with order)

Additional USA 110 V conversion kit: **available on request**





## GEA

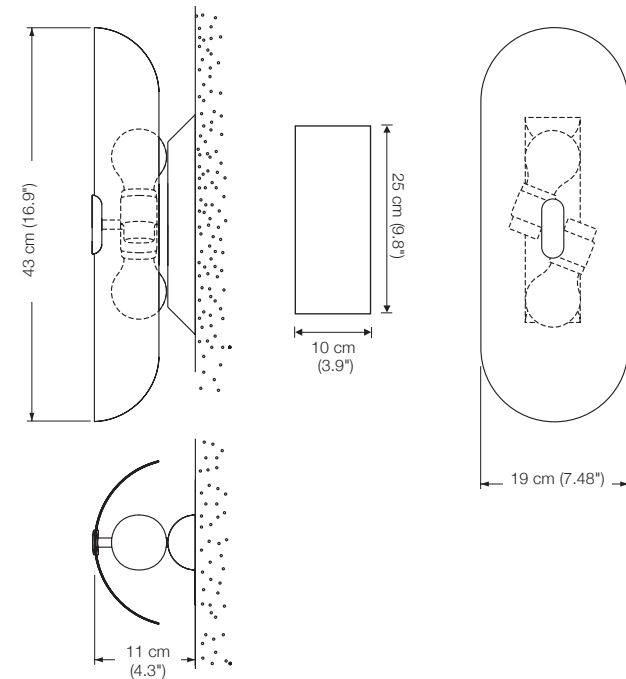
wall lamp  
 height: 43 cm (16.9")  
 shade: glass white-opal  
 lampholder: 2 x E27, max. 2 x 100 W  
 bulb: 2 x OS E27 Parathom, dimmable  
 à 1080 Lumen, 2700° K, 11 W  $\hat{=}$  75 W incl.

GEA – Ms Solid brass polished, lacquered  
 GEA – Mt Solid brass matt brushed, lacquered  
 GEA – Ni Solid brass, nickel-plated  
 GEA – Nm Solid brass nickel-plated, matt brushed  
 GEA – Cr Solid brass, chrome-plated

Energy class: A++ to E  
 (Depending on the used bulb.)  
 This model will be sold with a class A+ bulb.

4" junction box: not covered  
 Backplate rectangular 25 x 10 cm (9.8" x 3.9", standard)  
 or 25 x 12 cm (9.8" x 4.7", please indicate with order)

Additional USA 110 V conversion kit: **available on request**  
 110 V bulbs not included



## ALIA

wall lamp  
indirect light

height: 47 cm (18.5")  
shade: metal  
lampholder: 2 x E27, max. 2 x 100 W  
bulb: 2 x OS E27 Parathom, dimmable  
à 1080 Lumen, 2700° K, 11 W ≙ 75 W incl.

ALIA – Ms Solid brass polished, lacquered  
ALIA – Mt Solid brass matt brushed, lacquered  
ALIA – Ni Solid brass, nickel-plated  
ALIA – Nm Solid brass nickel-plated, matt brushed  
ALIA – Cr Solid brass, chrome-plated

Energy class: A++ to E

*(Depending on the used bulb.)*

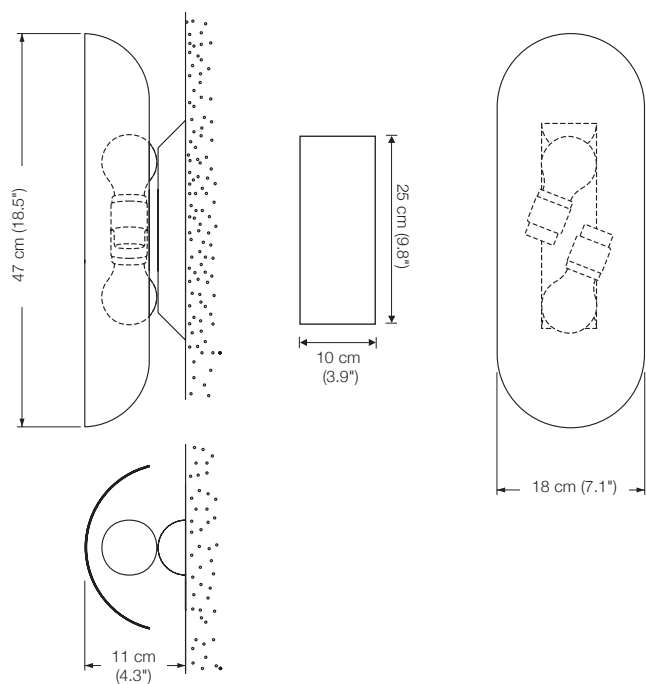
*This model will be sold with a class A+ bulb.*

4" junction box: not covered

Backplate rectangular 25 x 10 cm (9.8" x 3.9", standard)  
or 25 x 12 cm (9.8" x 4.7", please indicate with order)

Additional USA 110 V conversion kit: **available on request**

110 V bulbs not included





## BEO

wall and stairway lamp

direct and indirect light

glass diffuser top and bottom

width: 36 cm (14.2")

lampholder: 2 x E27, max. 2 x 100 W

bulb: 2 x OS E27 Parathom, dimmable  
à 1080 Lumen, 2700° K, 11 W  $\hat{=}$  75 W incl.

BEO – Ms Solid brass polished, lacquered

BEO – Mt Solid brass matt brushed, lacquered

BEO – Ni Solid brass, nickel-plated

BEO – Nm Solid brass nickel-plated, matt brushed

BEO – Cr Solid brass, chrome-plated

Energy class: A++ to E

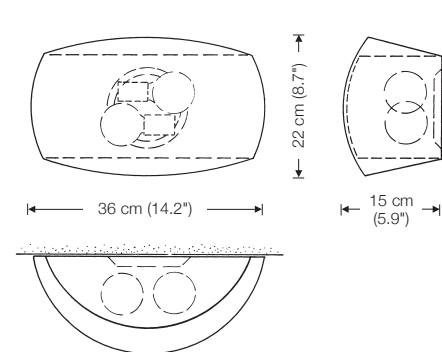
(Depending on the used bulb.)

This model will be sold with a class A+ bulb.

4" junction box: covered

Additional USA 110 V conversion kit: **available on request**

110 V bulbs not included



### ERA 33

wall lamp

width: 33 cm (13")  
bottom glass diffuser  
lampholder: 2 x G9, max. 2 x 75 W / 230 V  
bulb: 2 x OSRAM HALOPIN ECO 60 W incl.

ERA 33 – Ms Solid brass polished, lacquered  
ERA 33 – Mt Solid brass matt brushed, lacquered  
ERA 33 – Ni Solid brass, nickel-plated  
ERA 33 – Nm Solid brass nickel-plated, matt brushed  
ERA 33 – Cr Solid brass, chrome-plated

Optional: additional top glass diffuser  
Please indicate with order

Energy class: D

*This model will be sold with a class D bulb.*

4" junction box: not covered

Additional USA 110 V conversion kit: **available on request**  
110 V bulbs not included

### ERA 40

wall lamp

width: 40 cm (15.7")  
bottom glass diffuser  
lampholder: B15d, max. 150 W / 230 V  
bulb: OSRAM HALOLUX CERAM ECO 100 W incl.

ERA 40 – Ms Solid brass polished, lacquered  
ERA 40 – Mt Solid brass matt brushed, lacquered  
ERA 40 – Ni Solid brass, nickel-plated  
ERA 40 – Nm Solid brass nickel-plated, matt brushed  
ERA 40 – Cr Solid brass, chrome-plated

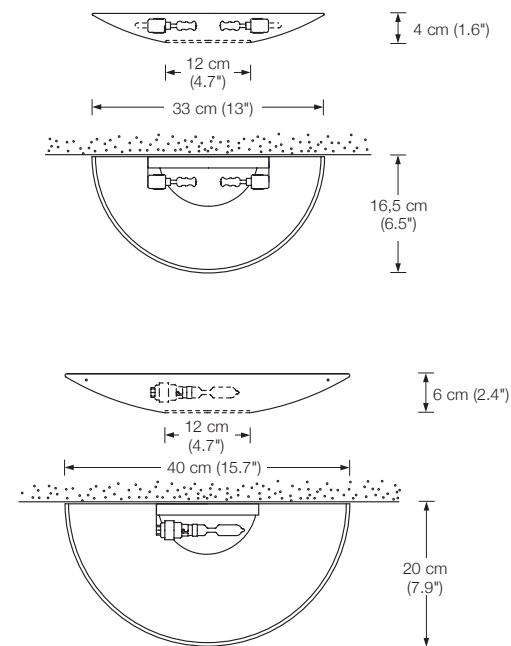
Optional: additional top glass diffuser  
Please indicate with order

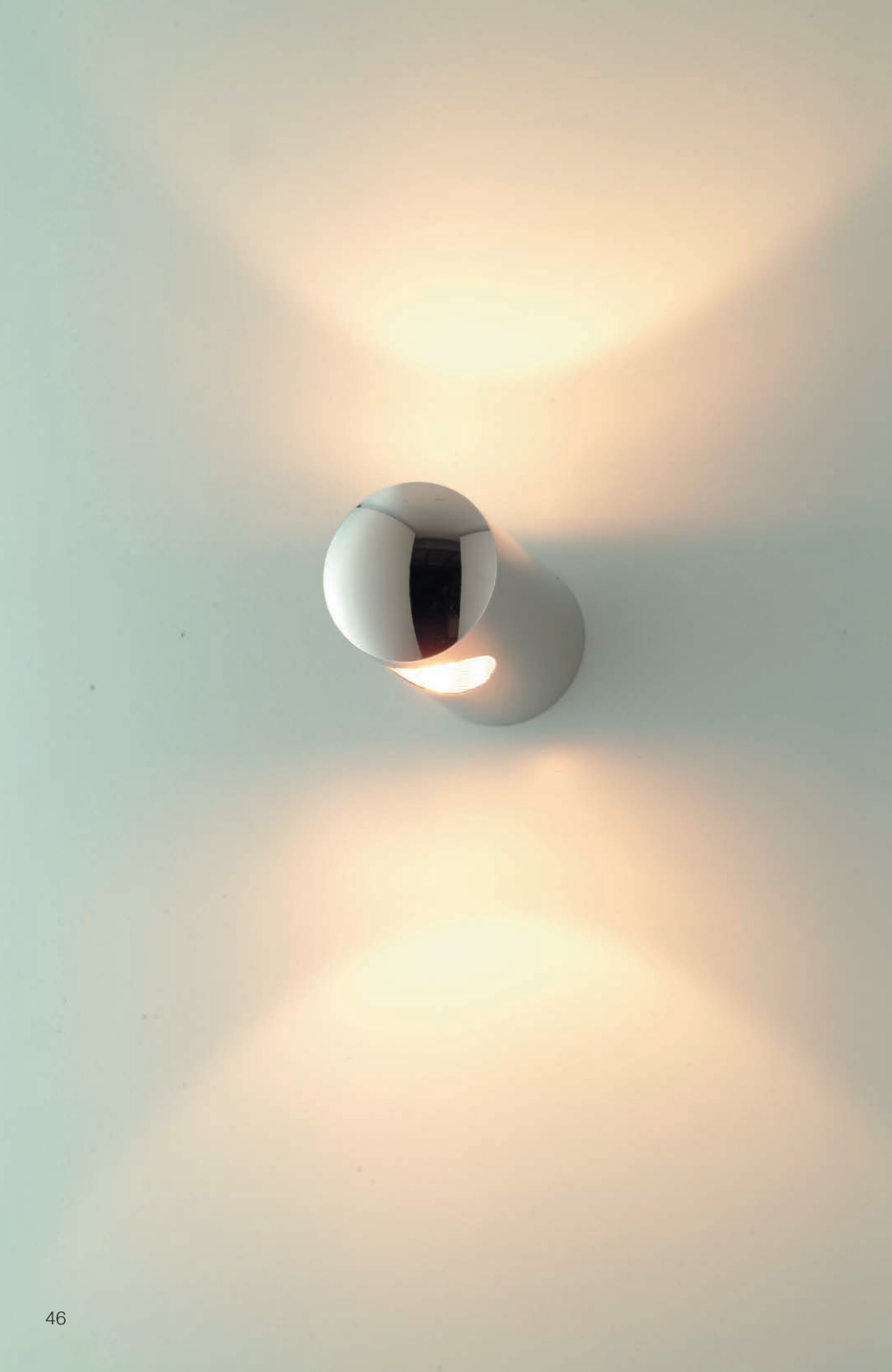
Energy class: D

*This model will be sold with a class D bulb.*

4" junction box: not covered

Additional USA 110 V conversion kit: **available on request**  
110 V bulbs not included





## CINA W

wall lamp

width: approx. 14 cm (5.5")  
lampholder: G9, max 75 W  
bulb: OSRAM HALOPIN ECO 33 W incl.

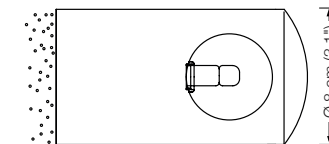
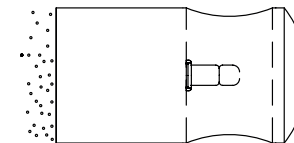
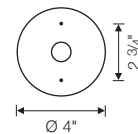
CINA W – Ms Solid brass polished, lacquered  
CINA W – Mt Solid brass matt brushed, lacquered  
CINA W – Ni Solid brass, nickel-plated  
CINA W – Nm Solid brass nickel-plated, matt brushed  
CINA W – Cr Solid brass, chrome-plated

Energy class: D

*This model will be sold with a class D bulb.*

Backplate Ø 12 cm (4.72") (please indicate with order)

Additional USA 110 V conversion kit: **available on request**  
110 V bulbs not included



14 cm (5.5")

## WIN

wall lamp

height: 55 - ca. 80 cm (21.7" - 31.5") adjustable  
shade: TEFLON white Ø 18 cm (7.1")  
lampholder: GY 6.35, max. 50 W / 12 V  
bulb: OSRAM HALOSTAR ECO 35 W (equal 50 W) incl.  
dimmer: built in

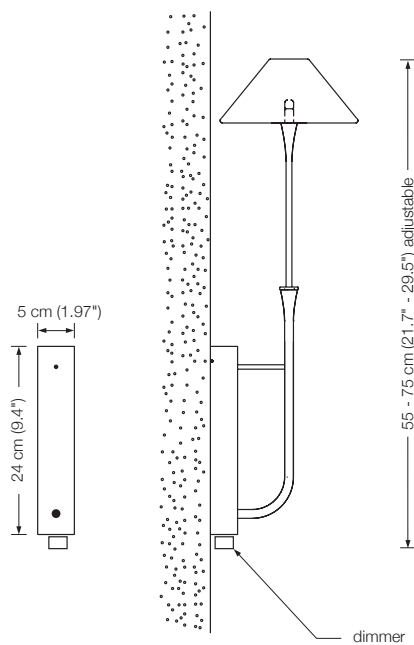
WIN - Ms Solid brass polished, lacquered  
WIN - Mt Solid brass matt brushed, lacquered  
WIN - Ni Solid brass, nickel-plated  
WIN - Nm Solid brass nickel-plated, matt brushed  
WIN - Cr Solid brass, chrome-plated

Energy class: B

*This model will be sold with a class B bulb.*

Additional USA 110 V conversion kit: **available on request**

110 V bulbs not included





## VEA

wall lamp

width: 40 cm (15.7")  
shade: glass white-opal  
top glass diffuser  
lampholder:: 2 x B15d, max. 2 x 150 W  
bulb:: 2 x OSRAM HALOLUX CERAM ECO  
100 W incl.

VEA – Ms Solid brass polished, lacquered  
VEA – Mt Solid brass matt brushed, lacquered  
VEA – Ni Solid brass, nickel-plated  
VEA – Nm Solid brass nickel-plated, matt brushed  
VEA – Cr Solid brass, chrome-plated

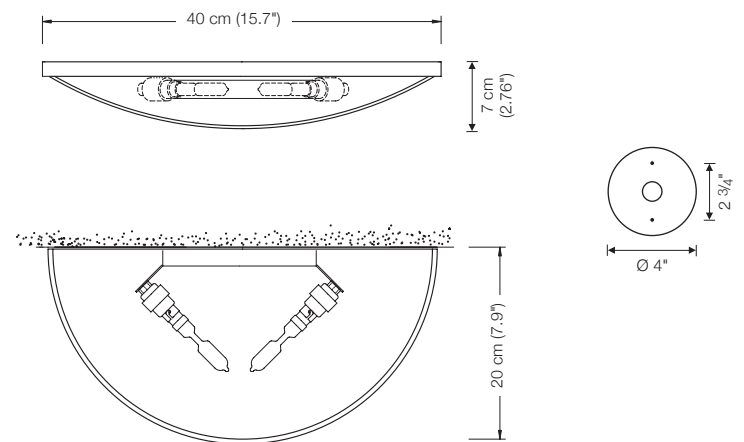
Energy class: D

*This model will be sold with a class D bulb.*

4" junction box: not covered

Backplate Ø 12 cm (4.72") (please indicate with order)

Additional USA 110 V conversion kit: **available on request**





## VAO

wall lamp  
flexible and specially reinforced metal arm

height: approx. 44 cm (17.3")  
shade: TEFLON white, Ø 7 cm (2.8")  
Fassung: GY6.35, max. 20 W / 12 V  
Leuchtmittel: OSRAM HALOSTAR IRC 20 W incl.  
dimmer: built in

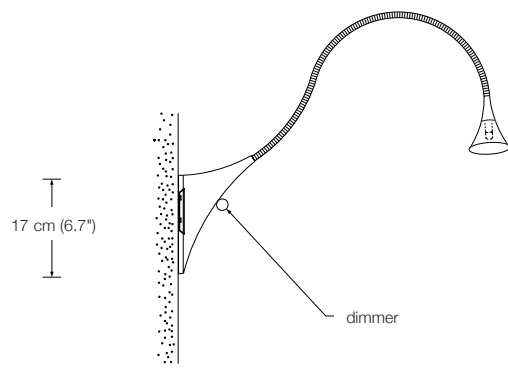
VAO – Ms Solid brass polished, lacquered  
VAO – Mt Solid brass matt brushed, lacquered  
VAO – Ni Solid brass, nickel-plated  
VAO – Nm Solid brass nickel-plated, matt brushed  
VAO – Cr Solid brass, chrome-plated

Energy class: C

*This model will be sold with a class C bulb.*

4" junction box: covered

Additional USA 110 V conversion kit: **available on request**





## EREA 55

ceiling lamp

height: standard 60 cm (23.6")  
or on request  
(min. 40 cm (15.7") to max. 200 cm (78.7"))

shade: glass white-opal Ø 55 cm (21.7")

lampholder: 6 x E14, max. 6 x 60 W

dimmer: possible via house installation or Casambi\*

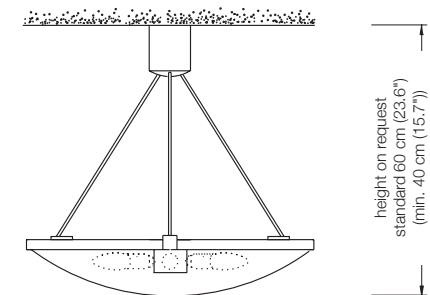
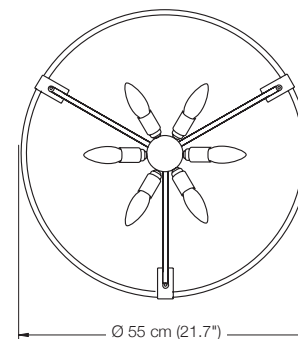
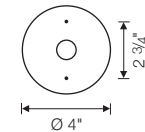
EREA 55 – Ms	Solid brass polished, lacquered
EREA 55 – Mt	Solid brass matt brushed, lacquered
EREA 55 – Ni	Solid brass, nickel-plated
EREA 55 – Nm	Solid brass nickel-plated, matt brushed
EREA 55 – Cr	Solid brass, chrome-plated

Energy class: A++ to E  
(Depending on the used bulb.)

4" junction box: not covered  
Backplate Ø 12 cm (4.72") (please indicate with order)  
Additional 110 V conversion kit: **available on request**  
110 V bulbs not included

\* We recommend (without obligation) the following dimmer brands:

- GIRA 0307 00/102
- JUNG 1731 DD
- BERKER 2874
- FELLER 40300.RC
- BUSCH-JÄGER 6523U
- ARDITI 027505
- CASAMBI Dimmer 800598 / 800680
- KOPP 8033



## EREA 80

ceiling lamp

height: standard 100 cm (39.4")  
or on request  
(min. 60 cm (23.6") to max. 200 cm (78.7"))

shade: glass white-opal Ø 80 cm (31.5")

lampholder: 6 x E27, max. 6 x 205 W

dimmer: possible via house installation or Casambi\*

EREA 80 – Ms	Solid brass polished, lacquered
EREA 80 – Mt	Solid brass matt brushed, lacquered
EREA 80 – Ni	Solid brass, nickel-plated
EREA 80 – Nm	Solid brass nickel-plated, matt brushed
EREA 80 – Cr	Solid brass, chrome-plated

Energy class: A++ to E

(Depending on the used bulb.)

4" junction box: not covered

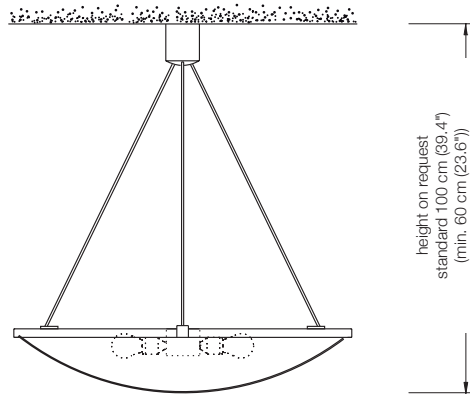
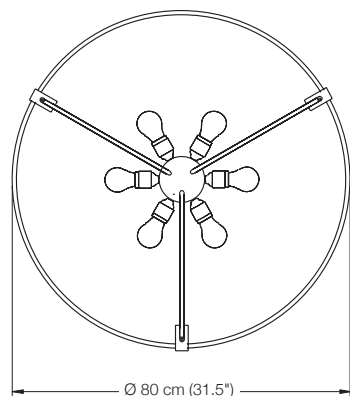
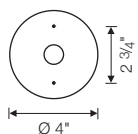
Backplate Ø 12 cm (4.72") (please indicate with order)

Additional 110 V conversion kit: **available on request**

110 V bulbs not included

\* We recommend (without obligation) the following dimmer brands:

- GIRA 0307 00/102
- JUNG 1731 DD
- BERKER 2874
- FELLER 40300.FC
- BUSCH-JÄGER 6523U
- ARDITI 027505
- CASAMBI Dimmer 800598 / 800680
- KOPP 8033





## SOLA 80

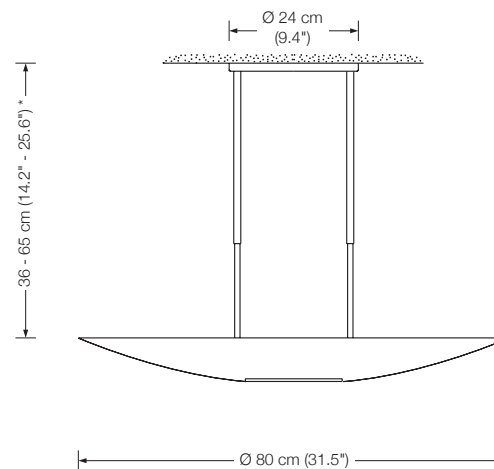
ceiling lamp  
 direct and indirect light  
 bottom glass diffuser  
 height: 36 - 65 cm (14.2" - 25.6") adjustable \*  
 shade: metal Ø 80 cm (31.5")  
 lampholder: R7s, max. 500 W  
 bulb: OSRAM HALOLINE ECO 400 W incl.  
 dimmer: possible via house installation

SOLA 80 – Ms	Solid brass polished, lacquered
SOLA 80 – Mt	Solid brass matt brushed, lacquered
SOLA 80 – Ni	Solid brass, nickel-plated
SOLA 80 – Nm	Solid brass nickel-plated, matt brushed
SOLA 80 – Cr	Solid brass, chrome-plated

Energy class: D  
*This model will be sold with a class D bulb.*

4" junction box: covered  
 Additional USA 110 V conversion kit: **available on request**  
 110 V bulbs not included

\* special length on request



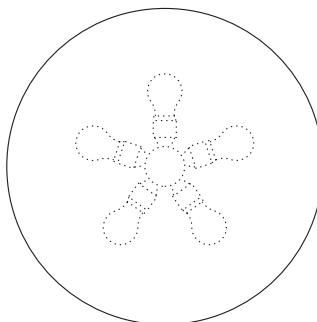
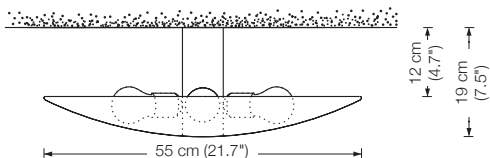
### SELA 55

ceiling lamp  
indirect lighting

shade: metal Ø 55 cm (21.7")  
lampholder: 5 x E27, max. 5 x 100 W  
dimmer: possible via house installation or Casambi\*

SELA 55 – Ms Solid brass polished, lacquered  
SELA 55 – Mt Solid brass matt brushed, lacquered  
SELA 55 – Ni Solid brass, nickel-plated  
SELA 55 – Nm Solid brass nickel-plated, matt brushed  
SELA 55 – Cr Solid brass, chrome-plated

By request: 5 x E27 LED-bulb (75 W)  
Please indicate with order.



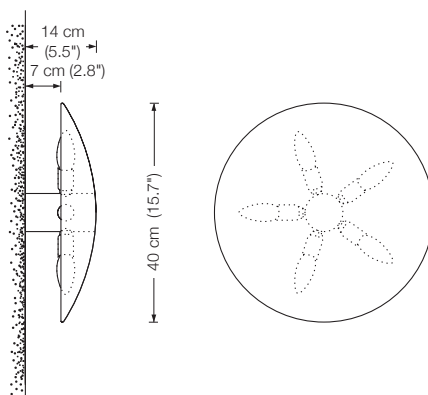
### SELA 40

ceiling lamp  
indirect lighting

shade: metal Ø 40 cm (15.7")  
lampholder: 5 x E27, max. 5 x 100 W  
dimmer: possible via house installation or Casambi\*

SELA 40 – Ms Solid brass polished, lacquered  
SELA 40 – Mt Solid brass matt brushed, lacquered  
SELA 40 – Ni Solid brass, nickel-plated  
SELA 40 – Nm Solid brass nickel-plated, matt brushed  
SELA 40 – Cr Solid brass, chrome-plated

By request: 5 x E14 LED-bulb (60 W)  
Please indicate with order.



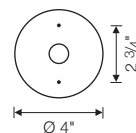
special length (distance to wall / ceiling) on request

Energy class: A++ to E  
(Depending on the used bulb.)

\* We recommend (without obligation) the following dimmer brands:

- GIRA 0307 00/102
- JUNG 1731 DD
- BERKER 2874
- FELLER 40300.FC
- BUSCH-JÄGER 6523U
- ARDITI 027505
- CASAMBI Dimmer 800598 / 800680
- KOPP 8033

SELA 40 / 55:  
4" junction box: not covered  
Backplate Ø 12 cm (4.72") (please indicate with order)  
Additional 110 V conversion kit: **available on request**  
110 V bulbs not included



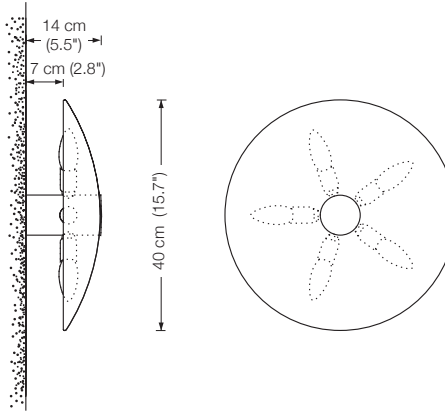
**GELA 40**  
 wall / ceiling lamp  
 shade: glass white-opal Ø 40 cm (15.7")  
 lampholder: 5 x E14, max. 5 x 60 W  
 dimmer: possible via house installation or Casambi\*

**GELA 40 – Ms** Solid brass polished, lacquered  
**GELA 40 – Mt** Solid brass matt brushed, lacquered  
**GELA 40 – Ni** Solid brass, nickel-plated  
**GELA 40 – Nm** Solid brass nickel-plated, matt brushed  
**GELA 40 – Cr** Solid brass, chrome-plated

By request: 5 x E14 LED-bulb (60 W)  
 Please indicate with order.

special length (distance to wall / ceiling) on request

Energy class: A++ to E  
 (Depending on the used bulb.)



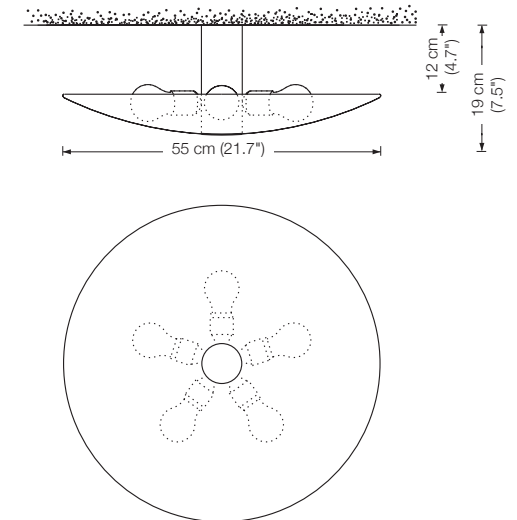
**GELA 55**  
 ceiling lamp  
 shade: glass white-opal Ø 55 cm (21.7")  
 lampholder: 5 x E27, max. 5 x 100 W  
 dimmer: possible via house installation or Casambi\*

**GELA 55 – Ms** Solid brass polished, lacquered  
**GELA 55 – Mt** Solid brass matt brushed, lacquered  
**GELA 55 – Ni** Solid brass, nickel-plated  
**GELA 55 – Nm** Solid brass nickel-plated, matt brushed  
**GELA 55 – Cr** Solid brass, chrome-plated

By request: 5 x E27 LED-bulb (75 W)  
 Please indicate with order.

special length (distance to ceiling) on request

Energy class: A++ to E  
 (Depending on the used bulb.)



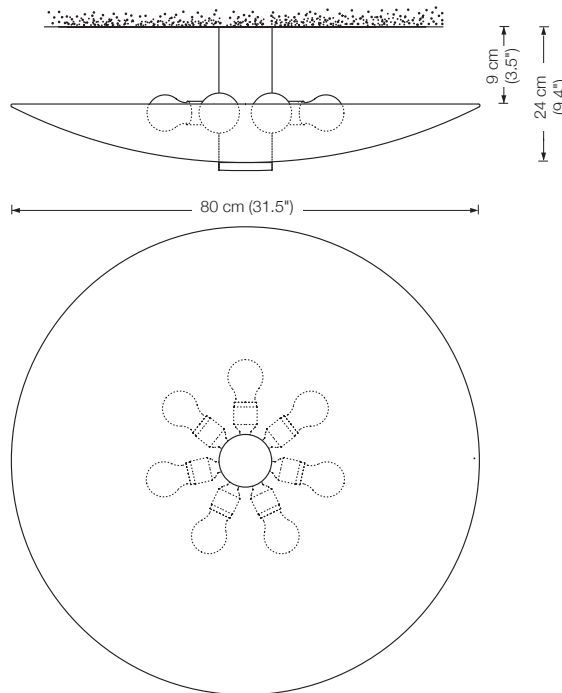
**GELA 80**  
 ceiling lamp  
 shade: glass white-opal Ø 80 cm (31.5")  
 lampholder: 7 x E27, max. 7 x 100 W  
 dimmer: possible via house installation or Casambi\*

**GELA 80 – Ms** Solid brass polished, lacquered  
**GELA 80 – Mt** Solid brass matt brushed, lacquered  
**GELA 80 – Ni** Solid brass, nickel-plated  
**GELA 80 – Nm** Solid brass nickel-plated, matt brushed  
**GELA 80 – Cr** Solid brass, chrome-plated

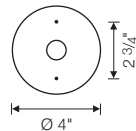
By request: 7 x E27 LED-bulb (75 W)  
 Please indicate with order.

special length (distance to ceiling) on request

Energy class: A++ to E  
 (Depending on the used bulb.)



**GELA 40 / 55 / 80:**  
 4" junction box: not covered  
 Backplate Ø 12 cm (4.72") (please indicate with order)  
 Additional 110 V conversion kit: **available on request**  
 110 V bulbs not included



\* We recommend (without obligation) the following dimmer brands:

- GIRA 0307 00/102
- JUNG 1731 DD
- BERKER 2874
- FELLER 40300.RC
- BUSCH-JÄGER 6523U
- ARDITI 027505
- CASAMBI Dimmer 800598 / 800680
- KOPP 8033





## OLA 25

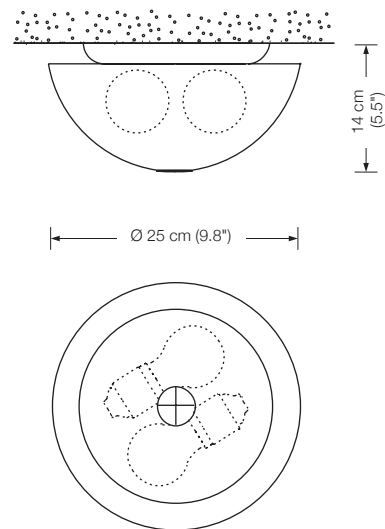
ceiling lamp

height: 14 cm (5.5")  
shade: glass white-opal, Ø 25 cm (9.8")  
lampholder: 2 x E27, max. 2 x 100 W  
bulb: 2 x OS E27 Parathom, dimmable  
à 1080 Lumen, 2700° K, 11 W  $\hat{=}$  75 W incl.  
dimmer: possible via house installation

OLA 25 – Ms Solid brass polished, lacquered  
OLA 25 – Mt Solid brass matt brushed, lacquered  
OLA 25 – Ni Solid brass, nickel-plated  
OLA 25 – Nm Solid brass nickel-plated, matt brushed  
OLA 25 – Cr Solid brass, chrome-plated

Energy class: A++ to E  
(Depending on the used bulb.)  
This model will be sold with a class A+ bulb.

4" junction box: covered  
Additional USA 110 V conversion kit: **available on request**  
110 V bulbs not included





## OLA 36

ceiling lamp

height: 20 cm (7.9")  
shade: glass white-opal, Ø 36 cm (14.2")  
lampholder: 3 x E27, max. 3 x 100 W  
bulb: 3 x OS E27 Parathom, dimmable  
à 1080 Lumen, 2700° K, 11 W  $\hat{=}$  75 W incl.  
dimmer: possible via house installation

OLA 36 – Ms Solid brass polished, lacquered  
OLA 36 – Mt Solid brass matt brushed, lacquered  
OLA 36 – Ni Solid brass, nickel-plated  
OLA 36 – Nm Solid brass nickel-plated, matt brushed  
OLA 36 – Cr Solid brass, chrome-plated

Energy class: A++ to E

*(Depending on the used bulb.)*

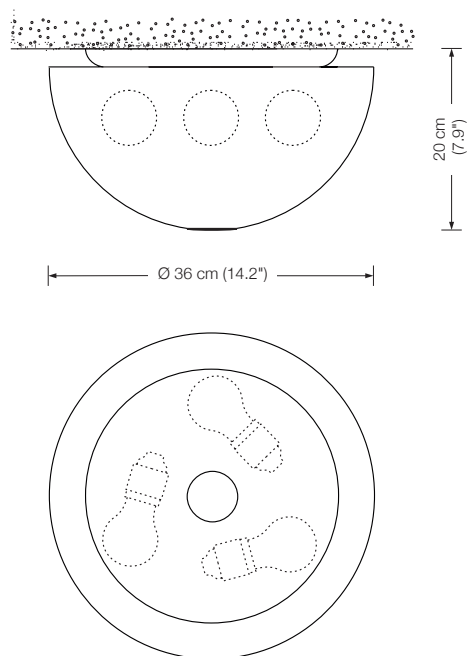
*This model will be sold with a class A+ bulb.*

4" junction box: covered

4" junction box: covered

Additional USA 110 V conversion kit: **available on request**

110 V bulbs not included





#### DUOS 36 P – pendant

Pendant lamp

shade: metal Ø 36 cm (14.2")

lampholder: E27, max. 100 W

- DUOS 36 P – Ms Solid brass polished, lacquered
- DUOS 36 P – Mt Solid brass matt brushed, lacquered
- DUOS 36 P – Ni Solid brass, nickel-plated
- DUOS 36 P – Nm Solid brass nickel-plated, matt brushed
- DUOS 36 P – Cr Solid brass, chrome-plated

4" junction box: covered

Additional USA 110 V conversion kit: **available on request**

110 V bulbs not included



#### DUOS 36 M – center pull

Adjustable pendant lamp

shade: metal Ø 36 cm (14.2")

lampholder: E27, max. 100 W

- DUOS 36 M – Ms Solid brass polished, lacquered
- DUOS 36 M – Mt Solid brass matt brushed, lacquered
- DUOS 36 M – Ni Solid brass, nickel-plated
- DUOS 36 M – Nm Solid brass nickel-plated, matt brushed
- DUOS 36 M – Cr Solid brass, chrome-plated

4" junction box: covered by US canopy Ø 12 cm (4.7")

(please indicate with order)

Additional USA 110 V conversion kit: **available on request**

110 V bulbs not included



#### DUOS 36 S – side pull

Adjustable pendant lamp

shade: metal Ø 36 cm (14.2")

lampholder: E27, max. 100 W

- DUOS 36 S – Ms Solid brass polished, lacquered
- DUOS 36 S – Mt Solid brass matt brushed, lacquered
- DUOS 36 S – Ni Solid brass, nickel-plated
- DUOS 36 S – Nm Solid brass nickel-plated, matt brushed
- DUOS 36 S – Cr Solid brass, chrome-plated

4" junction box: covered by US canopy Ø 12 cm (4.7")

(please indicate with order)

Additional USA 110 V conversion kit: **available on request**

110 V bulbs not included



### DUOS 36 R – straight pull ceiling mounted

Adjustable pendant lamp

shade: metal Ø 36 cm (14.2")

lampholder: E27, max. 100 W

DUOS 36 R – Ms	Solid brass polished, lacquered
DUOS 36 R – Mt	Solid brass matt brushed, lacquered
DUOS 36 R – Ni	Solid brass, nickel-plated
DUOS 36 R – Nm	Solid brass nickel-plated, matt brushed
DUOS 36 R – Cr	Solid brass, chrome-plated

4" junction box: not necessary

Additional USA 110 V conversion kit: **available on request**

110 V bulbs not included



### DUOS 36 D – double pull

Adjustable pendant lamp

shade: metal Ø 36 cm (14.2")

lampholder: 2 x E27, max. 2 x 100 W

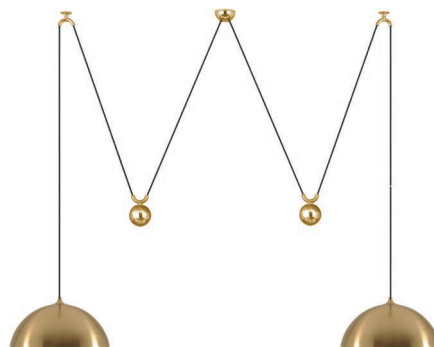
DUOS 36 D – Ms	Solid brass polished, lacquered
DUOS 36 D – Mt	Solid brass matt brushed, lacquered
DUOS 36 D – Ni	Solid brass, nickel-plated
DUOS 36 D – Nm	Solid brass nickel-plated, matt brushed
DUOS 36 D – Cr	Solid brass, chrome-plated

4" junction box: covered by US canopy Ø 12 cm (4.7")

(please indicate with order)

Additional USA 110 V conversion kit: **available on request**

110 V bulbs not included



Energy class: A++ to E

(Depending on the used bulb.)

Textile cable black. On request: brown, gold, silver.





#### POSA 36 P – pendant

Pendant lamp

shade: glass white-opal, Ø 36 cm (14.2")

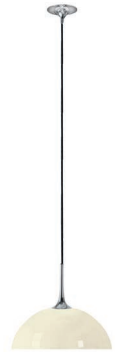
lampholder: E27, max. 100 W

POSA 36 P – Ms	Solid brass polished, lacquered
POSA 36 P – Mt	Solid brass matt brushed, lacquered
POSA 36 P – Ni	Solid brass, nickel-plated
POSA 36 P – Nm	Solid brass nickel-plated, matt brushed
POSA 36 P – Cr	Solid brass, chrome-plated

4" junction box: covered

Additional USA 110 V conversion kit: **available on request**

110 V bulbs not included



#### POSA 36 M – center pull

Adjustable pendant lamp

shade: glass white-opal, Ø 36 cm (14.2")

lampholder: E27, max. 100 W

POSA 36 M – Ms	Solid brass polished, lacquered
POSA 36 M – Mt	Solid brass matt brushed, lacquered
POSA 36 M – Ni	Solid brass, nickel-plated
POSA 36 M – Nm	Solid brass nickel-plated, matt brushed
POSA 36 M – Cr	Solid brass, chrome-plated

4" junction box: covered by US canopy Ø 12 cm (4.7")

(please indicate with order)

Additional USA 110 V conversion kit: **available on request**

110 V bulbs not included



#### POSA 36 S – side pull

Adjustable pendant lamp

shade: glass white-opal, Ø 36 cm (14.2")

lampholder: E27, max. 100 W

POSA 36 S – Ms	Solid brass polished, lacquered
POSA 36 S – Mt	Solid brass matt brushed, lacquered
POSA 36 S – Ni	Solid brass, nickel-plated
POSA 36 S – Nm	Solid brass nickel-plated, matt brushed
POSA 36 S – Cr	Solid brass, chrome-plated

4" junction box: covered by US canopy Ø 12 cm (4.7")

(please indicate with order)

Additional USA 110 V conversion kit: **available on request**

110 V bulbs not included



### POSA 36 R – straight pull ceiling mounted

Adjustable pendant lamp

shade: glass white-opal, Ø 36 cm (14.2")

lampholder: E27, max. 100 W

POSA 36 R – Ms	Solid brass polished, lacquered
POSA 36 R – Mt	Solid brass matt brushed, lacquered
POSA 36 R – Ni	Solid brass, nickel-plated
POSA 36 R – Nm	Solid brass nickel-plated, matt brushed
POSA 36 R – Cr	Solid brass, chrome-plated

4" junction box: not necessary

Additional USA 110 V conversion kit: **available on request**

110 V bulbs not included



### POSA 36 D – double pull

Adjustable pendant lamp

shade: glass white-opal, Ø 36 cm (14.2")

lampholder: 2 x E27, max. 2 x 100 W

POSA 36 D – Ms	Solid brass polished, lacquered
POSA 36 D – Mt	Solid brass matt brushed, lacquered
POSA 36 D – Ni	Solid brass, nickel-plated
POSA 36 D – Nm	Solid brass nickel-plated, matt brushed
POSA 36 D – Cr	Solid brass, chrome-plated

4" junction box: covered by US canopy Ø 12 cm (4.7")

(please indicate with order)

Additional USA 110 V conversion kit: **available on request**

110 V bulbs not included



Energy class: A++ to E

(Depending on the used bulb.)

Textile cable black. On request: brown, gold, silver.





#### ONOS 55 P – pendant

Pendant lamp

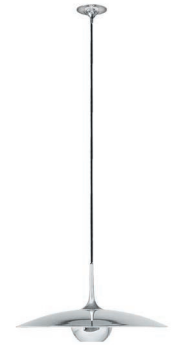
shade: metal Ø 55 cm (21.7")  
metal light diffuser

lampholder: E27, max. 100 W

ONOS 55 P – Ms Solid brass polished, lacquered  
ONOS 55 P – Mt Solid brass matt brushed, lacquered  
ONOS 55 P – Ni Solid brass, nickel-plated  
ONOS 55 P – Nm Solid brass nickel-plated, matt brushed  
ONOS 55 P – Cr Solid brass, chrome-plated

4" junction box: covered

Additional USA 110 V conversion kit: **available on request**  
110 V bulbs not included



#### ONOS 55 M – center pull

Adjustable pendant lamp

shade: metal Ø 55 cm (21.7")  
metal light diffuser

lampholder: E27, max. 100 W

ONOS 55 M – Ms Solid brass polished, lacquered  
ONOS 55 M – Mt Solid brass matt brushed, lacquered  
ONOS 55 M – Ni Solid brass, nickel-plated  
ONOS 55 M – Nm Solid brass nickel-plated, matt brushed  
ONOS 55 M – Cr Solid brass, chrome-plated

4" junction box: covered by US canopy Ø 12 cm (4.7")  
(please indicate with order)

Additional USA 110 V conversion kit: **available on request**  
110 V bulbs not included



#### ONOS 55 S – side pull

Adjustable pendant lamp

shade: metal Ø 55 cm (21.7")  
metal light diffuser

lampholder: E27, max. 100 W

ONOS 55 S – Ms Solid brass polished, lacquered  
ONOS 55 S – Mt Solid brass matt brushed, lacquered  
ONOS 55 S – Ni Solid brass, nickel-plated  
ONOS 55 S – Nm Solid brass nickel-plated, matt brushed  
ONOS 55 S – Cr Solid brass, chrome-plated

4" junction box: covered by US canopy Ø 12 cm (4.7")  
(please indicate with order)

Additional USA 110 V conversion kit: **available on request**  
110 V bulbs not included



### ONOS 55 R – straight pull ceiling mounted

Adjustable pendant lamp

shade: metal Ø 55 cm (21.7")  
metal light diffuser  
lampholder: E27, max. 100 W

ONOS 55 R – Ms Solid brass polished, lacquered  
ONOS 55 R – Mt Solid brass matt brushed, lacquered  
ONOS 55 R – Ni Solid brass, nickel-plated  
ONOS 55 R – Nm Solid brass nickel-plated, matt brushed  
ONOS 55 R – Cr Solid brass, chrome-plated

4" junction box: not necessary

Additional USA 110 V conversion kit: **available on request**

110 V bulbs not included



### ONOS 55 D – double pull

Adjustable pendant lamp

shade: metal Ø 55 cm (21.7")  
metal light diffuser  
lampholder: 2 x E27, max. 2 x 100 W

ONOS 55 D – Ms Solid brass polished, lacquered  
ONOS 55 D – Mt Solid brass matt brushed, lacquered  
ONOS 55 D – Ni Solid brass, nickel-plated  
ONOS 55 D – Nm Solid brass nickel-plated, matt brushed  
ONOS 55 D – Cr Solid brass, chrome-plated

4" junction box: covered by US canopy Ø 12 cm (4.7")

(please indicate with order)

Additional USA 110 V conversion kit: **available on request**

110 V bulbs not included



Energy class: A++ to E

(Depending on the used bulb.)

Textile cable black. On request: brown, gold, silver.





#### ONOS 40 P – pendant

Pendant lamp

shade: metal Ø 40 cm (15.7")  
metal light diffuser

lampholder: E27, max. 100 W

ONOS 40 P – Ms	Solid brass polished, lacquered
ONOS 40 P – Mt	Solid brass matt brushed, lacquered
ONOS 40 P – Ni	Solid brass, nickel-plated
ONOS 40 P – Nm	Solid brass nickel-plated, matt brushed
ONOS 40 P – Cr	Solid brass, chrome-plated

4" junction box: covered

Additional USA 110 V conversion kit: **available on request**  
110 V bulbs not included



#### ONOS 40 M – center pull

Adjustable pendant lamp

shade: metal Ø 40 cm (15.7")  
metal light diffuser

lampholder: E27, max. 100 W

ONOS 40 M – Ms	Solid brass polished, lacquered
ONOS 40 M – Mt	Solid brass matt brushed, lacquered
ONOS 40 M – Ni	Solid brass, nickel-plated
ONOS 40 M – Nm	Solid brass nickel-plated, matt brushed
ONOS 40 M – Cr	Solid brass, chrome-plated

4" junction box: covered by US canopy Ø 12 cm (4.7")  
(please indicate with order)

Additional USA 110 V conversion kit: **available on request**  
110 V bulbs not included



#### ONOS 40 S – side pull

Adjustable pendant lamp

shade: metal Ø 40 cm (15.7")  
metal light diffuser

lampholder: E27, max. 100 W

ONOS 40 S – Ms	Solid brass polished, lacquered
ONOS 40 S – Mt	Solid brass matt brushed, lacquered
ONOS 40 S – Ni	Solid brass, nickel-plated
ONOS 40 S – Nm	Solid brass nickel-plated, matt brushed
ONOS 40 S – Cr	Solid brass, chrome-plated

4" junction box: covered by US canopy Ø 12 cm (4.7")  
(please indicate with order)

Additional USA 110 V conversion kit: **available on request**  
110 V bulbs not included





**ONOS 40 R – straight pull ceiling mounted**

Adjustable pendant lamp

shade: metal Ø 40 cm (15.7")  
metal light diffuser  
lampholder: E27, max. 100 W

ONOS 40 R – Ms Solid brass polished, lacquered  
ONOS 40 R – Mt Solid brass matt brushed, lacquered  
ONOS 40 R – Ni Solid brass, nickel-plated  
ONOS 40 R – Nm Solid brass nickel-plated, matt brushed  
ONOS 40 R – Cr Solid brass, chrome-plated

4" junction box: not necessary

Additional USA 110 V conversion kit: **available on request**

110 V bulbs not included



**ONOS 40 D – double pull**

Adjustable pendant lamp

shade: metal Ø 40 cm (15.7")  
metal light diffuser  
lampholder: 2 x E27, max. 2 x 100 W

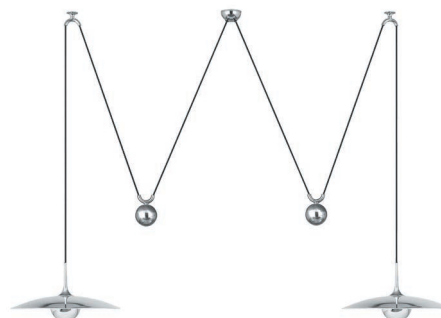
ONOS 40 D – Ms Solid brass polished, lacquered  
ONOS 40 D – Mt Solid brass matt brushed, lacquered  
ONOS 40 D – Ni Solid brass, nickel-plated  
ONOS 40 D – Nm Solid brass nickel-plated, matt brushed  
ONOS 40 D – Cr Solid brass, chrome-plated

4" junction box: covered by US canopy Ø 12 cm (4.7")

(please indicate with order)

Additional USA 110 V conversion kit: **available on request**

110 V bulbs not included



Energy class: A++ to E

(Depending on the used bulb.)

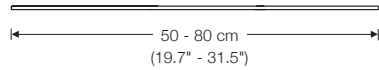
Textile cable black. On request: brown, gold, silver.



## Ceiling guiding system for pendant lamps DESY

With the elements of this system ceiling guides for pendant lamp groups are combinable.

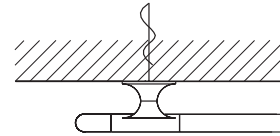
A simple rehanging of the shades allows an illumination even of temporary table combinations (e.g. long table, around the corner etc).



### DESY-ST

rod max. 80 cm (31.5")

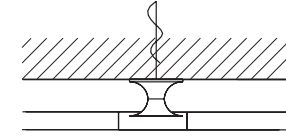
- Ms Solid brass polished, lacquered
- Mt Solid brass matt brushed, lacquered
- Ni Solid brass, nickel-plated
- Nm Solid brass nickel-plated, matt brushed
- Cr Solid brass, chrome-plated



### DESY-E

end piece

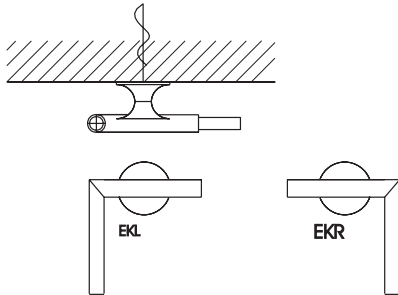
- Ms Solid brass polished, lacquered
- Mt Solid brass matt brushed, lacquered
- Ni Solid brass, nickel-plated
- Nm Solid brass nickel-plated, matt brushed
- Cr Solid brass, chrome-plated



### DESY-M

center piece

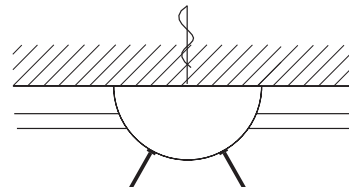
- Ms Solid brass polished, lacquered
- Mt Solid brass matt brushed, lacquered
- Ni Solid brass, nickel-plated
- Nm Solid brass nickel-plated, matt brushed
- Cr Solid brass, chrome-plated



DESY-Ekl corner piece left side (standard)

DESY-Ekr corner piece right side

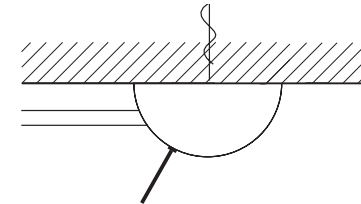
- Ms Solid brass polished, lacquered
- Mt Solid brass matt brushed, lacquered
- Ni Solid brass, nickel-plated
- Nm Solid brass nickel-plated, matt brushed
- Cr Solid brass, chrome-plated



### DESY-D

canopy for center cable outlet

- Ms Solid brass polished, lacquered
- Mt Solid brass matt brushed, lacquered
- Ni Solid brass, nickel-plated
- Nm Solid brass nickel-plated, matt brushed
- Cr Solid brass, chrome-plated

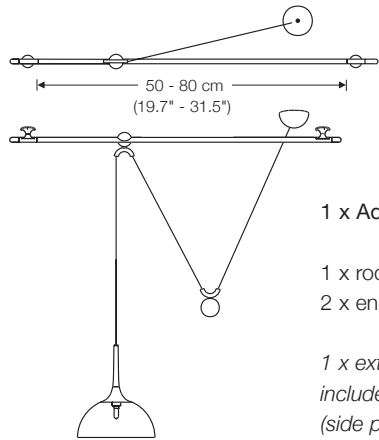


### DESY-S

canopy for end cable outlet

- Ms Solid brass polished, lacquered
- Mt Solid brass matt brushed, lacquered
- Ni Solid brass, nickel-plated
- Nm Solid brass nickel-plated, matt brushed
- Cr Solid brass, chrome-plated

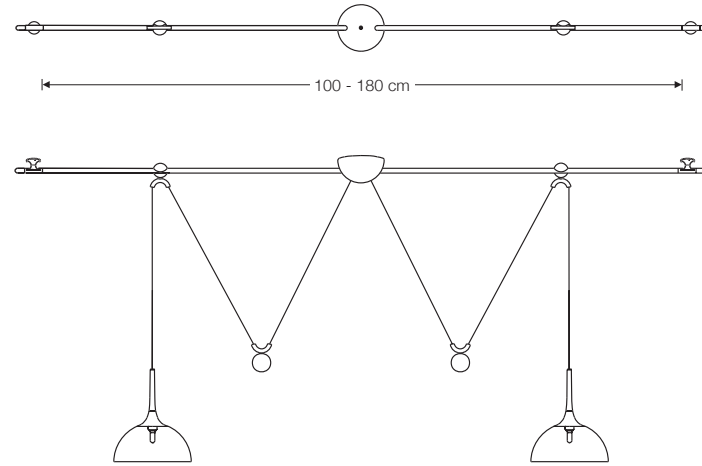
# DESY Example



1 x Adjustable pendant lamp – S (side pull)

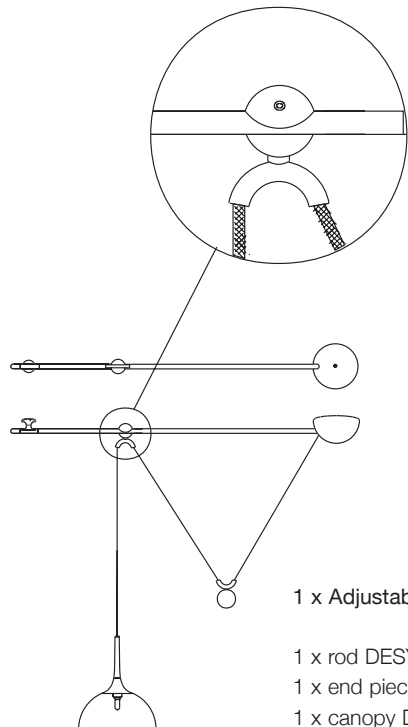
1 x rod DESY-ST  
2 x end pieces DESY-E

1 x external canopy  
included in Adjustable pendant lamp – S  
(side pull).



1 x Adjustable pendant lamp – D  
(double pull)

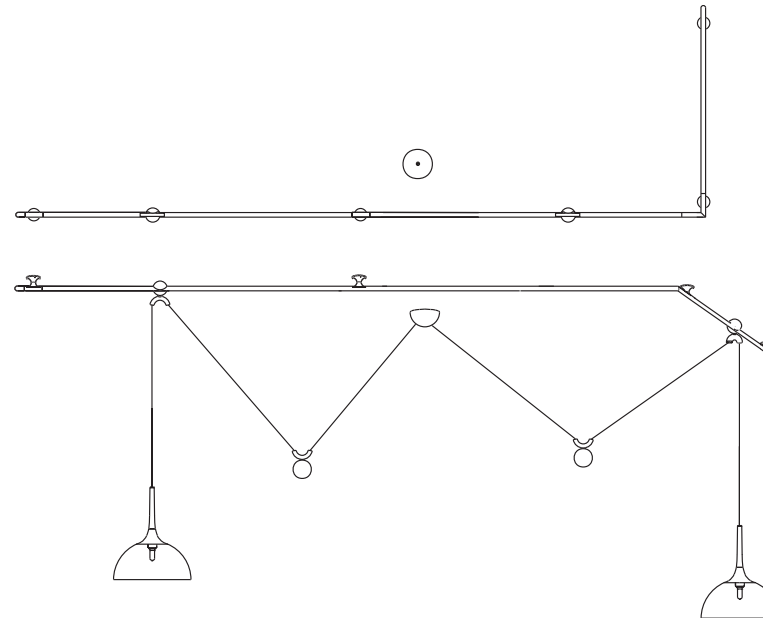
2 x rods DESY-ST  
2 x end pieces DESY-E  
1 x canopy DESY-D



This upper  
cable guide is a  
lockable hook.

1 x Adjustable pendant lamp – S (side pull)

1 x rod DESY-ST  
1 x end piece DESY-E  
1 x canopy DESY-S



1 x Adjustable pendant lamp – D  
(double pull)

3 x rods DESY-ST  
2 x end pieces DESY-E  
1 x center piece DESY-M  
1 x corner piece DESY-EK

1 x external canopy  
included in Adjustable pendant lamp – D  
(double pull)



### P80-1

pendant lamp, height adjustable

height: from 65 cm (25.6") – 135 cm (53.15") (standard)\*  
 canopy: Ø 6 cm (2.36")  
 shade: Ø 8 cm (3.15")  
 illuminant: LED (20 Watt) incl., 6000 Lumen  
 color temperature: Dim-to-Warm from 3100° – 1850 °K  
 colour rendering: > 90 Ra  
 dimmer: possible via house installation\*\*

P80-1 – Ms Solid brass polished, lacquered  
 P80-1 – Mt Solid brass matt brushed, lacquered  
 P80-1 – Ni Solid brass, nickel-plated  
 P80-1 – Nm Solid brass nickel-plated, matt brushed  
 P80-1 – Cr Solid brass, chrome-plated

### P80-3

triple pendant lamp, individually height-adjustable

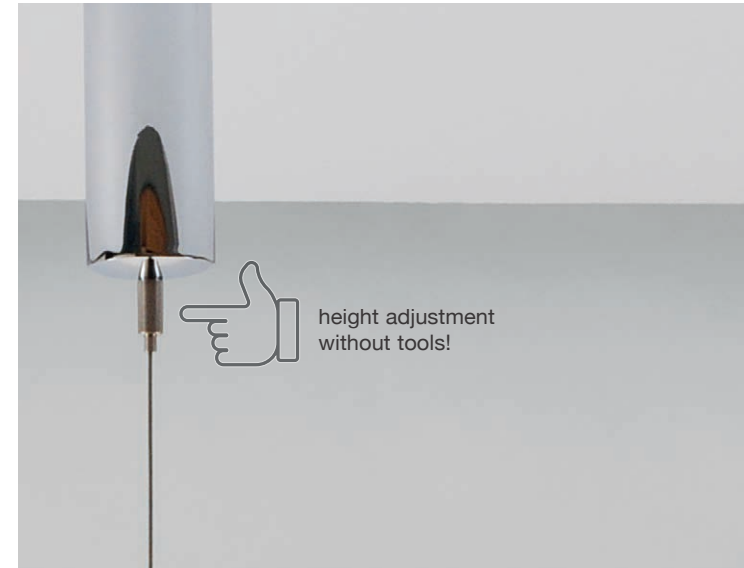
height: 3 x from 65 cm (25.6") – 135 cm (53.15") (standard)\*  
 canopy: 132 cm (51.97") long, 8 cm (3.15") wide, 4 cm (1.57") high  
 shade: 3 x Ø 8 cm (3.15")  
 illuminant: 3 x LED (3 x 20 Watt) incl., 6000 Lumen  
 color temperature: Dim-to-Warm from 3100° – 1850 °K  
 colour rendering: > 90 Ra  
 dimmer: possible via house installation\*\*

P80-3 – Ms Solid brass polished, lacquered  
 P80-3 – Mt Solid brass matt brushed, lacquered  
 P80-3 – Ni Solid brass, nickel-plated  
 P80-3 – Nm Solid brass nickel-plated, matt brushed  
 P80-3 – Cr Solid brass, chrome-plated

Energy class: A++ to A

\*other suspension heights on request

\*\* e.g. JUNG 1224 LED UDE







**PEN 100**

pendant lamp, height adjustable  
 both light elements can be rotated (360°)  
 length: 100 cm (39.4")  
 canopy: 15 x 15 x 5 cm (5.9" x 5.9" x 2.0")  
 height: 80 to 140 cm (31.5" to 55.1") adjustable (standard)\*  
 illuminant: 2 x LED-Line 150 (approx. 12 watts in total) incl. exchangeable  
 approx. 1200 Lumen  
 color temperature: warmwhite 2700 K  
 colour rendering: > 90 Ra  
 dimmer: possible via house installation or Casambi\*\*

- PEN 100 – Ms Solid brass polished, lacquered
- PEN 100 – Mt Solid brass matt brushed, lacquered
- PEN 100 – Ni Solid brass, nickel-plated
- PEN 100 – Nm Solid brass nickel-plated, matt brushed
- PEN 100 – Cr Solid brass, chrome-plated

Energy class: A++ to A

4" junction box: covered

Additional USA 110 V conversion kit: **available on request**

\* The following suspensions on request (without surcharge):

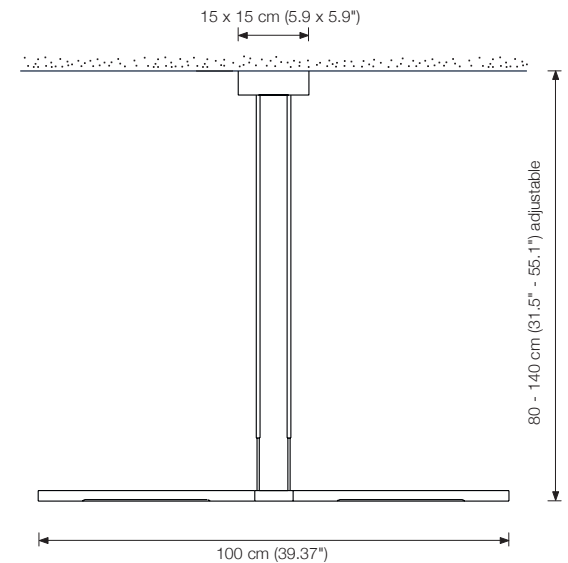
Overall height 105 – 200 cm (41.3" – 78.7")

Overall height 130 – 250 cm (51.2" – 98.4")

Other pendulum lengths possible on request (with additional charge)

\*\* We recommend (without obligation) the following dimmer brands:

- GIRA 0307 00/102
- JUNG 1731 DD
- BERKER 2874
- FELLER 40300.RC
- BUSCH-JÄGER 6523U
- ARDITI 027505
- CASAMBI Dimmer 800598 / 800680
- KOPP 8033



## PEN 121

pendant lamp, height adjustable

outer light elements can be rotated (360°)

length: 121 cm (47.6")

canopy: 46,5 x 5 x 5 cm (18.3" x 2.0" x 2.0")

height: 80 to 140 cm (31.5" to 55.1") adjustable (standard)\*

bulb: 3 x LED-Line 150 (approx. 24 watts in total) incl.

exchangeable

approx. 2200 Lumen

color temperature: warmwhite 2700 K

colour rendering: > 90 Ra

dimmer: possible via house installation or Casambi\*\*

PEN 121 – Ms Solid brass polished, lacquered

PEN 121 – Mt Solid brass matt brushed, lacquered

PEN 121 – Ni Solid brass, nickel-plated

PEN 121 – Nm Solid brass nickel-plated, matt brushed

PEN 121 – Cr Solid brass, chrome-plated

Energy class: A++ to A

4" junction box: not covered

Additional USA 110 V conversion kit: **available on request**

including a rectangular backplate of

51 x 12 cm (20.1" x 4.7")

\* The following suspensions on request (without surcharge):

Overall height 105 – 200 cm (41.3" – 78.7")

Overall height 130 – 250 cm (51.2" – 98.4")

Other pendulum lengths possible on request (with additional charge)

\*\* We recommend (without obligation) the following dimmer brands:

– GIRA 0307 00/102

– JUNG 1731 DD

– BERKER 2874

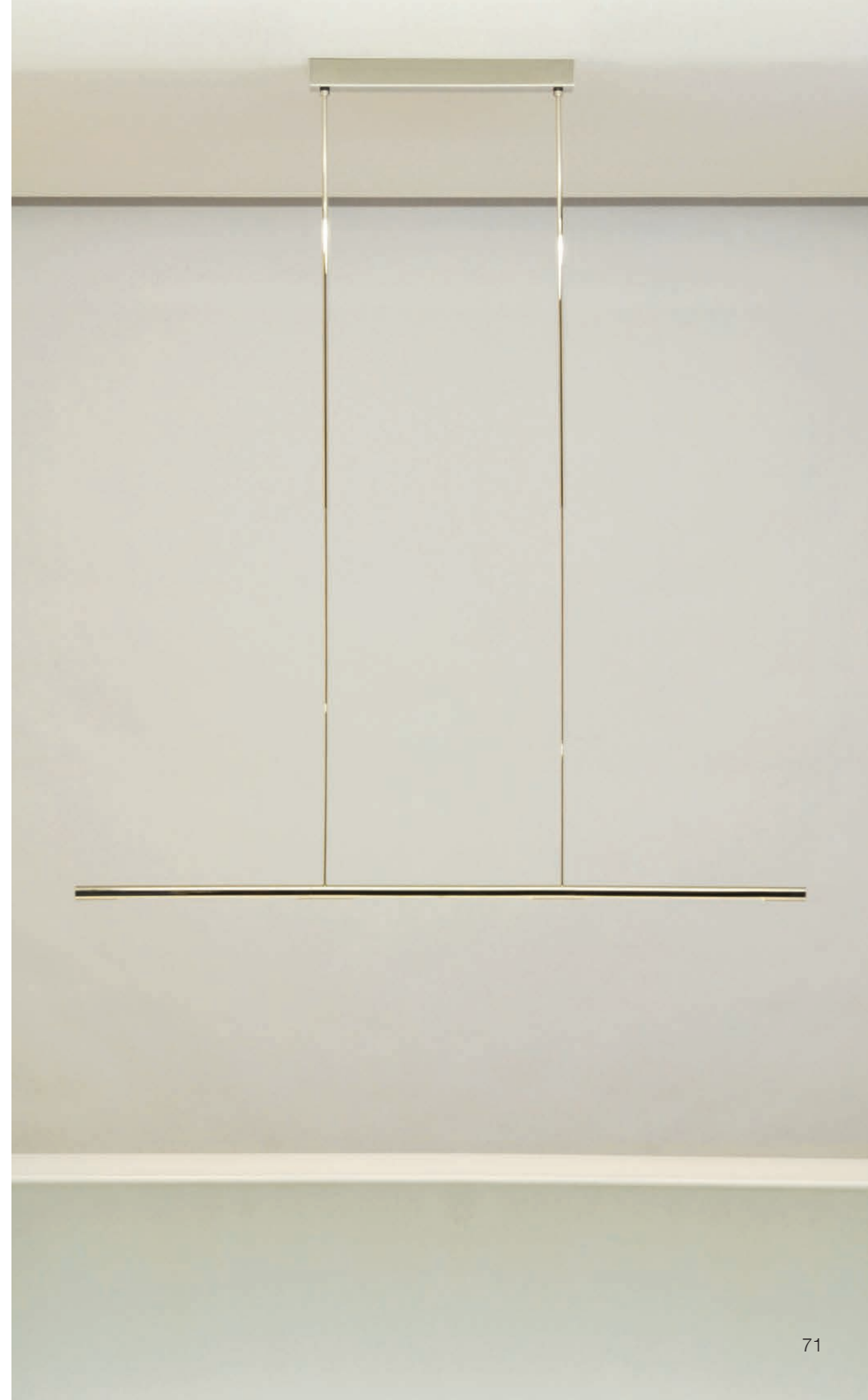
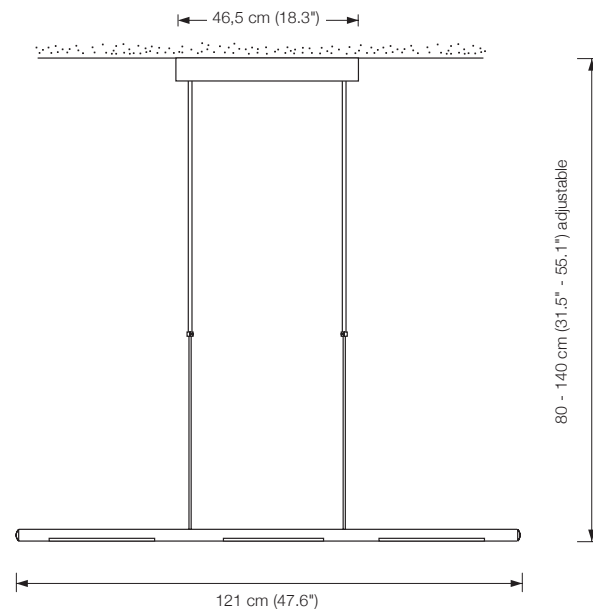
– FELLER 40300.RC

– BUSCH-JÄGER 6523U

– ARDITI 027505

– CASAMBI Dimmer 800598 / 800680

– KOPP 8033





## PEN 142

pendant lamp, height adjustable

all light elements can be rotated (360°)

length: 142 cm (55.9")

canopy: 53 x 5 x 5 cm (20.9" x 2.0" x 2.0")

height: 80 to 140 cm (31.5" to 55.1") adjustable (standard)\*

bulb: 3 x LED-Line 150 (approx. 24 watts in total) incl.

exchangeable

approx. 2200 Lumen

color temperature: warmwhite 2700 K

colour rendering: > 90 Ra

dimmer: possible via house installation or Casambi\*\*

PEN 142 – Ms Solid brass polished, lacquered

PEN 142 – Mt Solid brass matt brushed, lacquered

PEN 142 – Ni Solid brass, nickel-plated

PEN 142 – Nm Solid brass nickel-plated, matt brushed

PEN 142 – Cr Solid brass, chrome-plated

Energy class: A++ to A

4" junction box: not covered

Additional USA 110 V conversion kit: **available on request**

including a rectangular backplate of

57,5 x 12 cm (22.6" x 4.7")

\* The following suspensions on request (without surcharge):

Overall height 105 – 200 cm (41.3" – 78.7")

Overall height 130 – 250 cm (51.2" – 98.4")

Other pendulum lengths possible on request (with additional charge)

\*\* We recommend (without obligation) the following dimmer brands:

– GIRA 0307 00/102

– JUNG 1731 DD

– BERKER 2874

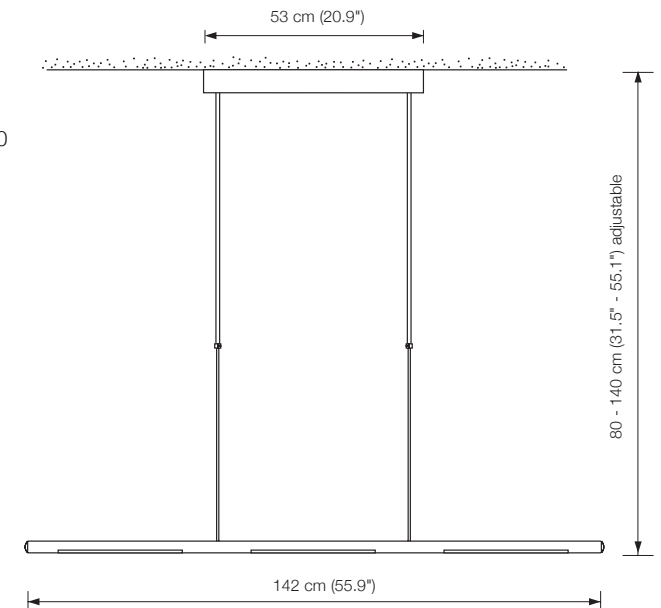
– FELLER 40300.RC

– BUSCH-JÄGER 6523U

– ARDITI 027505

– CASAMBI Dimmer 800598 / 800680

– KOPP 8033









## OY

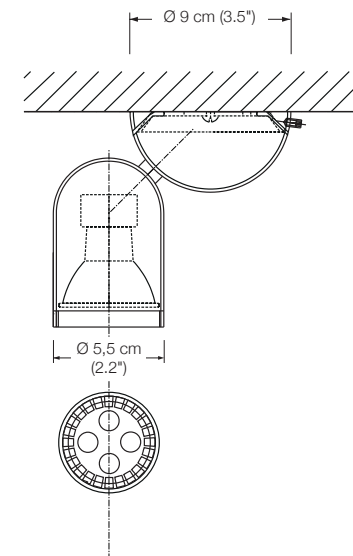
spot  
rotatable 360°  
height of shade: 8,4 cm (3.3")  
Ø shade: 5,5 cm (2.2")  
Ø canopy: 9 cm (3.5")  
lampholder: GU 10 (high-voltage)  
bulb: LED Spot Retrofit (4,6 Watt) incl.  
dimnable  
exchangeable  
approx. 575 Lumen  
color temperature: warmwhite 2700 Kelvin  
colour rendering: > 90 Ra

OY – Ms Solid brass polished, lacquered  
OY – Mt Solid brass matt brushed, lacquered  
OY – Ni Solid brass, nickel-plated  
OY – Nm Solid brass nickel-plated, matt brushed  
OY – Cr Solid brass, chrome-plated

Energy class: A++ to A

*Replacement bulbs can be ordered through VS Manufaktur.*

Additional USA 110 V conversion kit: **available on request**  
110 V bulbs not incl.



## OYO

spotlight  
swivelling to all sides  
for reflector-lights

Ø wall installation: approx. 12 cm (4.7")  
 Ø shade: approx. 13 cm (5.1")  
 lampholder: G53  
 bulb: LED Spot (8,5 W  $\hat{=}$  50 W), 24 ° incl.\*  
 dimmable  
 exchangeable  
 approx. 450 Lumen  
 color temperature: warmwhite 2700 K  
 colour rendering: > 90 Ra

OYO – Ms Solid brass polished, lacquered  
 OYO – Mt Solid brass matt brushed, lacquered  
 OYO – Ni Solid brass, nickel-plated  
 OYO – Nm Solid brass nickel-plated, matt brushed  
 OYO – Cr Solid brass, chrome-plated

\* optional:

LED Spot ( 8,5 W  $\hat{=}$  50 W), 24 ° - 4000 K  
 LED Spot ( 8,5 W  $\hat{=}$  50 W), 40 ° - 2700 K  
 LED Spot (15,5 W  $\hat{=}$  75 W), 24 ° - 2700 K  
 LED Spot (15,5 W  $\hat{=}$  75 W), 24 ° - 4000 K  
 LED Spot (15,5 W  $\hat{=}$  75 W), 40 ° - 2700 K

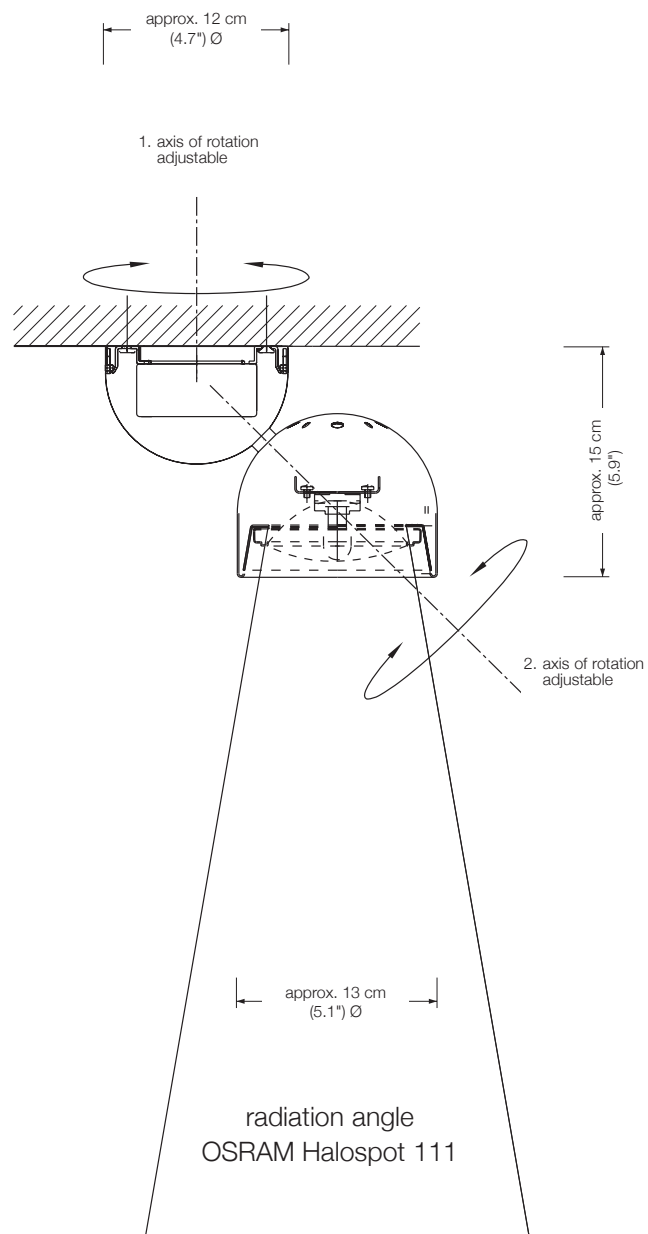
Please indicate with order.

Energy class: A

*This model will be sold with a class A bulb.*

4" junction box: covered

Additional USA 110 V conversion kit: **available on request**





VS Manufaktur  
Schwieberdinger Str. 123  
71636 Ludwigsburg  
Germany

Tel +49 71 41/46 40 01  
Fax +49 71 41/46 02 03

[www.vs-manufaktur.de](http://www.vs-manufaktur.de)  
[info@vs-manufaktur.de](mailto:info@vs-manufaktur.de)

All rights reserved.  
Specifications and design subject to change without notice.