

VS manufaktur  
licht + objekt



## Timeless craftsmanship

Our mission is to manufacture lamps of lasting value,  
in function and in form distinguished  
by superior craftsmanship and timeless design.

VS manufaktur  
licht + objekt

# Collection 2020

Recommended retail price without VAT, valid with effect from February 1<sup>st</sup> 2020.

With immediate effect, only the models specified in this list are available.

The technical data in this price list shall apply exclusively.

## Alphabetical index

	page		page		page
ALIA	43	MESA 24	11	POSA 36	60 – 61
BEO	44	MYOS	16	SELA 40	53
CERVANTES	30	MYOS T	17	SELA 55	53
CINA W.	46	OKON	13	SOLA 80	52
DROP	22 – 23	OLA 25	56	STE	21
DUOS 36	58 – 59	OLA 36	57	TAOS 40	18
ELAS	37	ONE 58	6	TAOS 40 SD	19
ELAS S.	37	ONE 80	7	TAOS 55	18
ERA 33	45	ONOS 40	64 – 65	TAOS 55 SD	19
ERA 40	45	ONOS 55	62 – 63	TOA	38
EREA 55	50	ORA 20	36	TOLED	33
EREA 80	51	ORA 25	36	TOPAN	32
ESA	39	OVA	8 – 9	UNA	20
GEA	42	OY	74	VAO	49
GELA 40	54 – 55	OYO	75	VAYO	12
GELA 55	54 – 55	P80-1	68 – 69	VEA	48
GELA 80	54 – 55	P80-3	68 – 69	WED	41
INAS	26	PEN 100	70	WIN	47
INAS SD	27	PEN 121	71	YON	28 – 29
LESAN M	31	PEN 142	72 – 73	YON G	28 – 29
LESAN S.	31	PIN	24 – 25	YON T	35
LONEA	14	PIN d	24 – 25		
LONEA SD	15	PIN T	34		
MESA 18	10	PIN W dim	40		

## Collection

	page
Chandeliers:	6 – 11
Floorlamps:	12 – 20
Arc floor lamps:	21
Floor reading lamps:	22 – 31
Table lamps:	32 – 39
Wall sconces:	40 – 49
Ceiling lamps:	50 – 57
Adjustable pendant lamps:	58 – 65
Pendant lamps:	68 – 73
Spots:	74 – 75

## Prices for non-standard finishes

In addition to the metal finishes quoted in this price list, special finishes are available for most models.

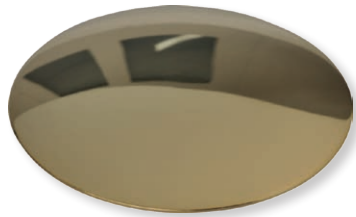
Surcharges are calculated from the basic price for brass (- Ms) or nickel (-Ni): \*

Mp	Solid brass polished, unlacquered . . . . .	+ 10%
Ni-lack	Solid brass nickel-plated, lacquered . . . . .	+ 10%
Cu	Solid brass copper-plated, lacquered . . . . .	+ 10%
Cm	Solid brass copper-plated, matt brushed, lacquered . . . .	+ 15%
Br	Solid brass bronzed, lacquered . . . . .	+ 20%
Bd	Solid brass dark-bronzed, lacquered . . . . .	+ 30%

delivery times on request

\* Prices can vary depending on model and technical feasibility.

## Finishes



Ms  
Solid brass polished, lacquered



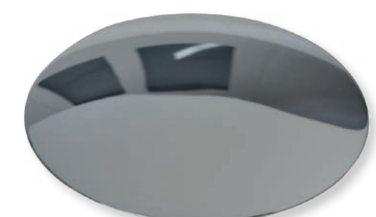
Mt  
Solid brass matt brushed, lacquered



Ni  
Solid brass, nickel-plated

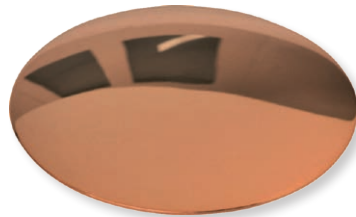


Nm  
Solid brass nickel-plated, matt brushed



Cr  
Solid brass, chrome-plated

## Non-standard finishes



Cu  
Solid brass copper-plated, lacquered



Cm  
Solid brass copper-plated, matt brushed, lacquered



Br  
Solid brass bronzed, lacquered



Bd  
Solid brass dark-bronzed, lacquered

### Note:

The special surfaces „Mp – Solid brass polished, unlacquered“, and „Ni-lack – Solid brass, nickel-plated, lacquered“ visually look the same, such as „Ms – Solid brass polished, lacquered“ and „Ni – Solid brass, nickel-plated“.



## ONE 58

LED chandelier

height: adjustable 0,5 to 2 m (16.69" to 78.74") (standard)\*

Ø ring: 58 cm (22.8")

Ø canopy: 25 cm (9.8")

illuminant: LED (31,4 Watt) with glare protection incl.  
light upwards and downwards  
approx. 3.020 Lumen

colour temperature: warm white 2700 K

colour rendering: > 90 Ra

dimmer: possible via house installation or Casambi\*\*

		€
ONE 58 – Ms	Solid brass polished, lacquered	2948.–
ONE 58 – Mt	Solid brass matt brushed, lacquered	3243.–
ONE 58 – Ni	Solid brass, nickel-plated	2948.–
ONE 58 – Nm	Solid brass nickel-plated, matt brushed	3243.–
ONE 58 – Cr	Solid brass, chrome-plated	3243.–

Energy class: A++ to A.

110 Volt/USA: **not dimmable**

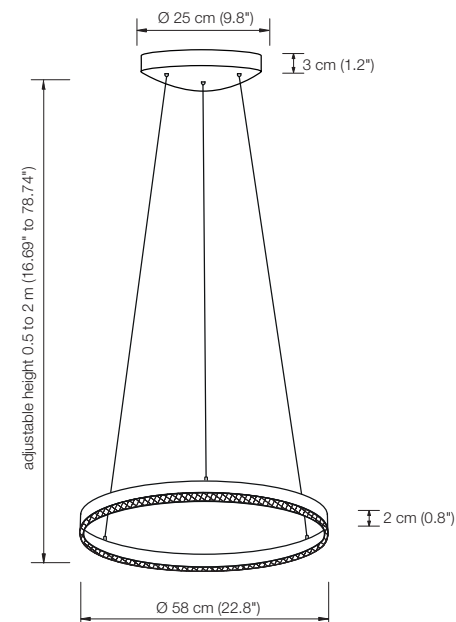
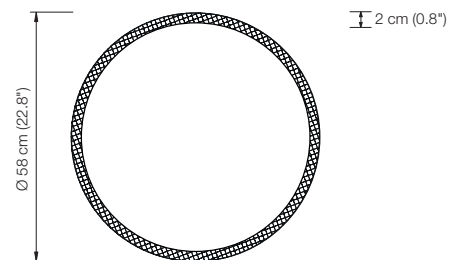
4" junction box: covered

Additional USA 110 V conversion kit: **84.–**

\* Other heights: available on request

\*\* We recommend (without obligation) the following dimmer brands:

- GIRA 0307 00/102
- JUNG 1731 DD
- BERKER 2874
- FELLER 40300.RC
- BUSCH-JÄGER 6523U
- ARDITI 027505
- CASAMBI Dimmer 800598 / 800680
- KOPP 8033



## ONE 80

LED chandelier

height: adjustable 0.5 to 2 m (16.69" to 78.74") (standard)\*

Ø ring: 80 cm (31.5")

Ø canopy: 25 cm (9.8")

illuminant: LED (43 Watt) with glare protection incl.  
light upwards and downwards  
approx. 4.200 Lumen

colour temperature: warm white 2700 K

colour rendering: > 90 Ra

dimmer: possible via house installation or Casambi\*\*

		€
ONE 80 – Ms	Solid brass polished, lacquered	3800.–
ONE 80 – Mt	Solid brass matt brushed, lacquered	4180.–
ONE 80 – Ni	Solid brass, nickel-plated	3800.–
ONE 80 – Nm	Solid brass nickel-plated, matt brushed	4180.–
ONE 80 – Cr	Solid brass, chrome-plated	4180.–

Energy class: A++ to A.

110 Volt/USA: **not dimmable**

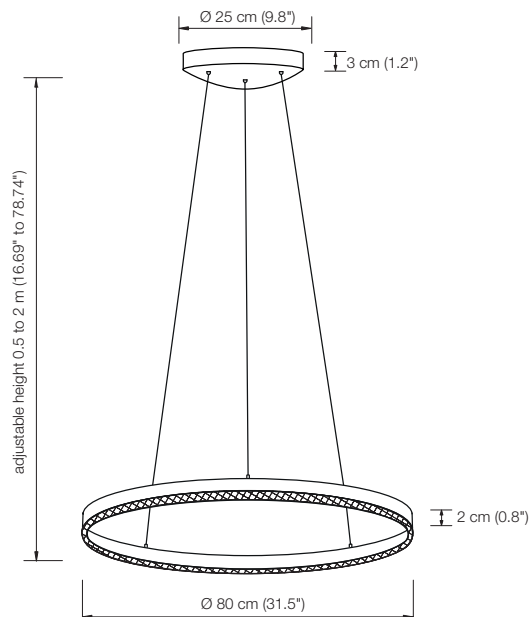
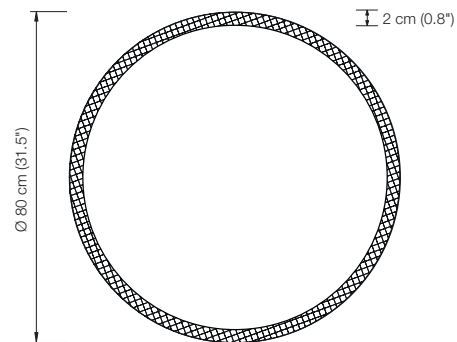
4" junction box: covered

Additional USA 110 V conversion kit: 84.–

\* Other heights: available on request

\*\* We recommend (without obligation) the following dimmer brands:

- GIRA 0307 00/102
- JUNG 1731 DD
- BERKER 2874
- FELLER 40300.RC
- BUSCH-JÄGER 6523U
- ARDITI 027505
- CASAMBI Dimmer 800598 / 800680
- KOPP 8033





## OVA

LED chandelier  
 height: adjustable 1.5 to 2 m (59.06" to 78.74") (standard)\*  
 oval shade: 125 cm long, 47 wide, 4 cm high  
 (49.2" long, 18.5" wide, 1.6" high)  
 canopy: 47 cm long, 14 cm wide, 5 cm high  
 (18.5" long, 5.5" wide, 2" high)  
 illuminant: LED with glare protection incl.  
 light upwards and downwards  
 approx. 3.000 Lumen  
 colour rendering: > 90 Ra  
 dimmer: possible via house installation or Casambi\*\*

		€
OVA – Ms	Solid brass polished, lacquered	4900.–
OVA – Mt	Solid brass matt brushed, lacquered	5390.–
OVA – Ni	Solid brass, nickel-plated	4900.–
OVA – Nm	Solid brass nickel-plated, matt brushed	5390.–
OVA – Cr	Solid brass, chrome-plated	5390.–

Energy class: A++ to A.

110 Volt/USA: **not dimmable**

4" junction box: covered

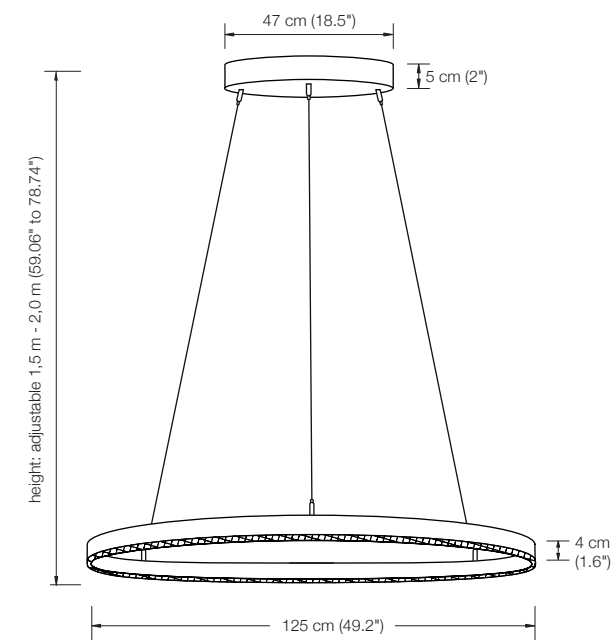
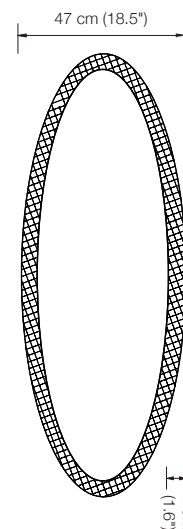
Additional USA 110 V conversion kit:

84.–

\* Other heights possible, each with a range of 50 cm (19.7").

\*\* We recommend (without obligation) the following dimmer brands:

- GIRA 0307 00/102
- JUNG 1731 DD
- BERKER 2874
- FELLER 40300.RC
- BUSCH-JÄGER 6523U
- ARDITI 027505
- CASAMBI Dimmer 800598 / 800680
- KOPP 8033









## MESA 18

chandelier

18 removable metal arms

total height: min. 85 cm (33.5") - max. 305 cm (120.1") \*

Ø: 88 cm (34.6")

lampholder: 18 x G 4, max. 18 x 20 W / 12 V

bulb: 20 x OSRAM HALOSTAR 20 W incl.

dimmer: brightness control is possible \*\*

		€
MESA 18 – Ms	Solid brass polished, lacquered	3623.–
MESA 18 – Mt	Solid brass matt brushed, lacquered	3985.–
MESA 18 – Ni	Solid brass, nickel-plated	3623.–
MESA 18 – Nm	Solid brass nickel-plated, matt brushed	3985.–
MESA 18 – Cr	Solid brass, chrome-plated	3985.–

Energy class: C

*This model will be sold with a class C bulb.*

4" junction box: covered

Additional USA 110 V conversion kit: 166.–

\* telescopic adjustment:

total height 85 – 125 cm (33.5" – 49.2") (standard)

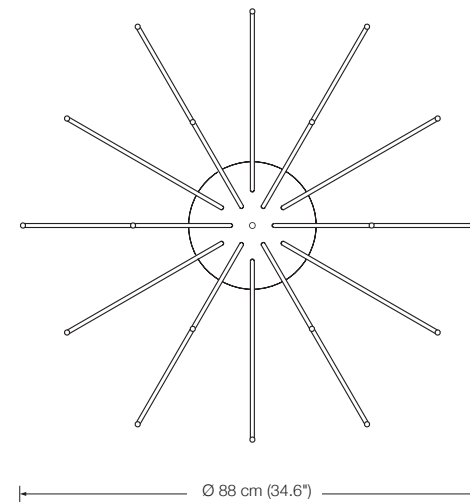
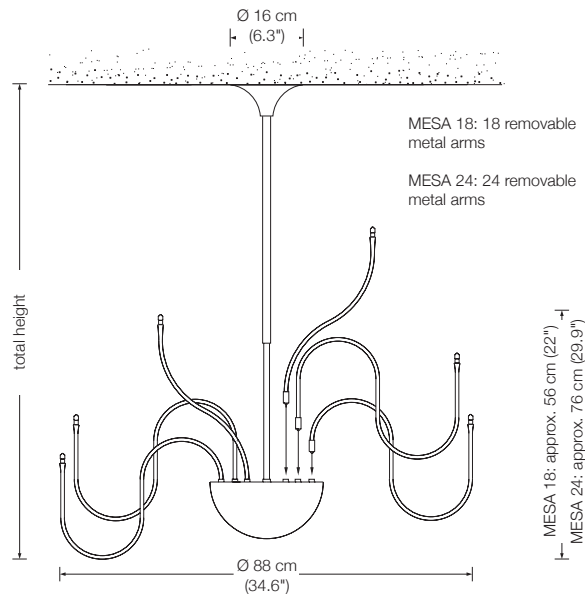
total height 115 – 185 cm (45.3" – 72.8")

total height 175 – 305 cm (68.9" – 120.1")

Other options available on request.

Please indicate with order.

\*\* These lamps are equipped with 2 electronic transformers of 210 VA capacity each.



## MESA 24

chandelier

24 removable metal arms

total height: min. 95 (37.4") - max. 315 cm (53.1") \*

Ø: 140 cm (55.1")

lampholder: 24 x G4, max. 24 x 20 W / 12 V

bulb: 28 x OSRAM HALOSTAR 20 W incl.

dimmer: brightness control is possible \*\*

		€
MESA 24 – Ms	Solid brass polished, lacquered	4379.–
MESA 24 – Mt	Solid brass matt brushed, lacquered	4816.–
MESA 24 – Ni	Solid brass, nickel-plated	4379.–
MESA 24 – Nm	Solid brass nickel-plated, matt brushed	4816.–
MESA 24 – Cr	Solid brass, chrome-plated	4816.–

Energy class: C

*This model will be sold with a class C bulb.*

4" junction box: covered

Additional USA 110 V conversion kit: 210.–

\* telescopic adjustment:

total height 95 – 135 cm (37.4" – 53.1") (standard)

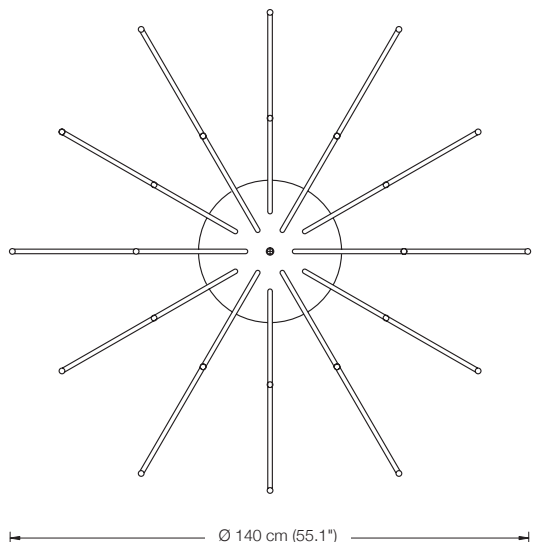
total height 125 – 195 cm (49.2" – 76.8")

total height 185 – 315 cm (72.8" – 124")

Other options available on request.

Please indicate with order.

\*\* These lamps are equipped with 3 electronic transformers of 210 VA capacity each.





## VAYO

floor lamp / reading lamp

height:	180 cm (70.9")
width reading lamp:	approx. 50 cm (19.7")
shade floor lamp:	glass white-opal, Ø 23 cm (9.1")
shade reading lamp:	TEFLON white Ø 7 cm (2.8")
lampholder floor lamp::	E27, max. 250 W / 230 V
bulb floor lamp:	1 x OS E27 Superstar, dimmable 2452 Lumen, 2700° K, 21 W ≙ 150 W incl.
lampholder reading lamp:	GY6.35, max. 50 W / 12 V
bulb reading lamp:	OSRAM HALOSTAR ECO 35 W ≙ 50 W incl.
electric wire:	4 m (13.1 ft)
dimmer:	2 x built in

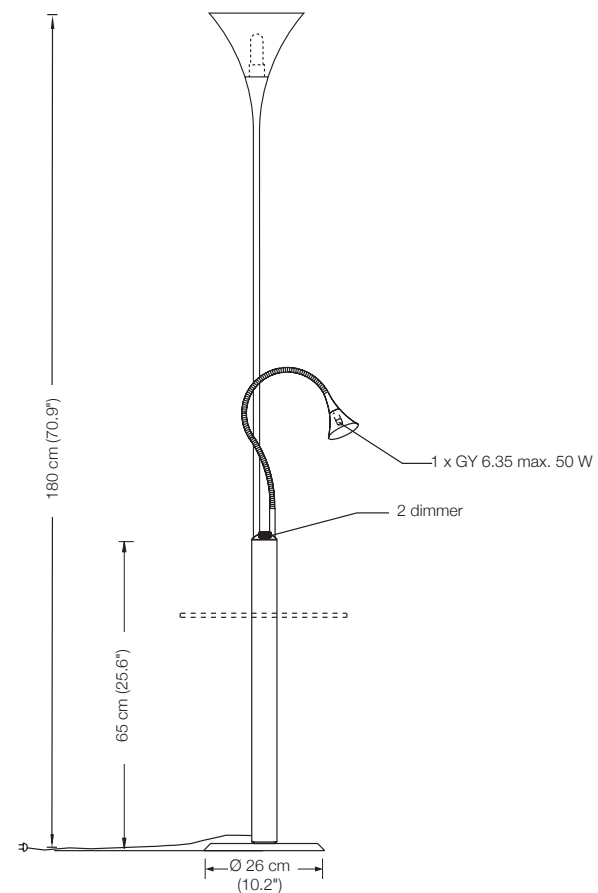
		€
VAYO – Ms	Solid brass polished, lacquered	1571.–
VAYO – Mt	Solid brass matt brushed, lacquered	1696.–
VAYO – Ni	Solid brass, nickel-plated	1571.–
VAYO – Nm	Solid brass nickel-plated, matt brushed	1696.–
VAYO – Cr	Solid brass, chrome-plated	1696.–

glass tabletop Ø 36 cm (14.2"), height 50 cm (19.7"),  
clear glass 10 mm (0.4") 300.–

Energy class floor lamp: A++ to E  
(Depending on the used bulb.)  
This model will be sold with a class A+ bulb.

Energy class reading lamp: B  
This model will be sold with a class B bulb.

Additional USA 110 V conversion kit: 64.–



## OKON

floor lamp

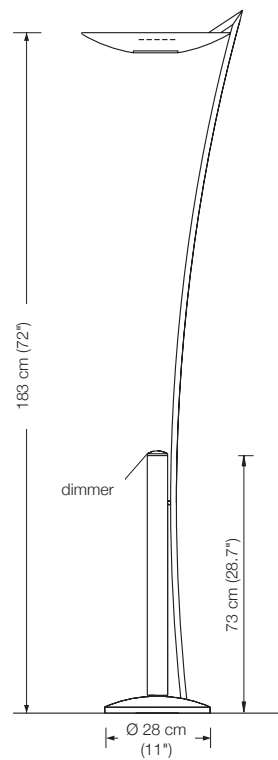
height: 183 cm (72")  
shade: metal Ø 40 cm (15.7") bottom glass diffuser  
lampholder: R7s, max. 500 W  
bulb: OSRAM HALOLINE ECO 230 W incl.  
electric wire: 5 m (16.4 ft)  
Dimmer: built in

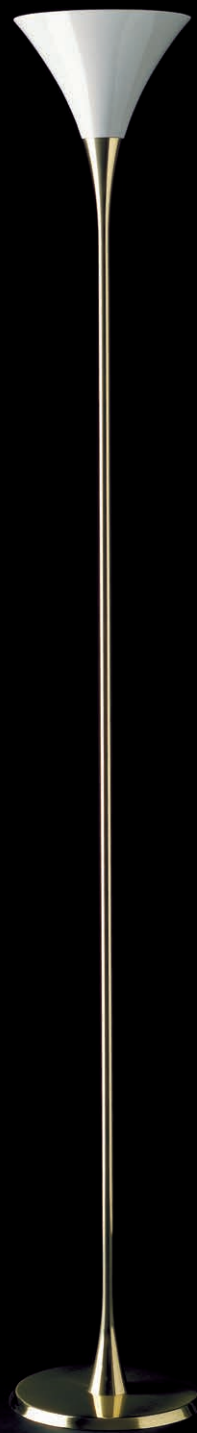
		€
OKON – Ms	Solid brass polished, lacquered	2513.–
OKON – Mt	Solid brass matt brushed, lacquered	2764.–
OKON – Ni	Solid brass, nickel-plated	2513.–
OKON – Nm	Solid brass nickel-plated, matt brushed	2764.–
OKON – Cr	Solid brass, chrome-plated	2764.–

Energy class: D

*This model will be sold with a class D bulb.*

Additional USA 110 V conversion kit: 18.–  
110 V bulbs are not included





## LONEA

floor lamp

height: 180 cm (70.9")  
 shade: glass white-opal, Ø 23 cm (9.1")  
 lampholder:: E27, max. 250 W  
 bulb: 1 x OS E27 Superstar, dimmable  
 2452 Lumen, 2700° K, 21 W ≙ 150 W incl.  
 electric wire: 3 m (9.8 ft)  
 dimmer: on cord

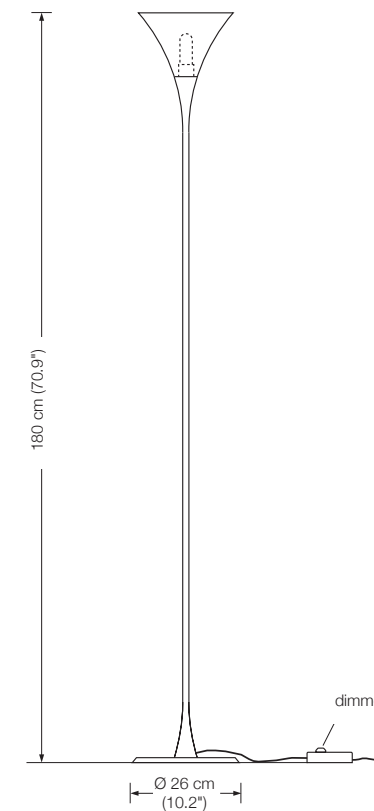
		€
LONEA – Ms	Solid brass polished, lacquered	1121.–
LONEA – Mt	Solid brass matt brushed, lacquered	1234.–
LONEA – Ni	Solid brass, nickel-plated	1121.–
LONEA – Nm	Solid brass nickel-plated, matt brushed	1234.–
LONEA – Cr	Solid brass, chrome-plated	1234.–

Additional USA 110 V conversion kit: 24.–  
 110 V bulbs are not included

Energy class floor lamp: A++ to E  
 (Depending on the used bulb.)  
 This model will be sold with a class A+ bulb.



Ø 23 cm  
(9.1")



## LONEA SD

floor lamp

height: 160 - 190 cm (63" - 74.8") adjustable  
shade: glass white-opal, Ø 23 cm (9.1")  
lampholder:: E27, max. 250 W  
bulb: 1 x OS E27 Superstar, dimmable  
2452 Lumen, 2700° K, 21 W ≙ 150 W incl.  
dimmer: built in

		€
LONEA SD – Ms	Solid brass polished, lacquered	1374.–
LONEA SD – Mt	Solid brass matt brushed, lacquered	1512.–
LONEA SD – Ni	Solid brass, nickel-plated	1374.–
LONEA SD – Nm	Solid brass nickel-plated, matt brushed	1512.–
LONEA SD – Cr	Solid brass, chrome-plated	1512.–

Additional USA 110 V conversion kit: 18.–  
110 V bulbs are not included

Energy class floor lamp: A++ to E  
(Depending on the used bulb.)  
This model will be sold with a class A+ bulb.





## MYOS

floor lamp / reading lamp

height:	182 cm (71.7")
width reading lamp:	approx. 50 cm (19.7")
shade floor lamp:	glass white-opal, Ø 26 cm (10.2")
shade reading lamp:	metal Ø 12 cm (4.7"), adjustable
lampholder floor lamp:	E27, max. 250 W
bulb floor lamp:	1 x OS E27 Superstar, dimmable 2452 Lumen, 2700° K, 21 W $\hat{=}$ 150 W incl.
lampholder reading lamp:	GY6.35, max. 50 W / 12 V
bulb reading lamp:	OSRAM HALOSTAR ECO 35 W $\hat{=}$ 50 W incl.
electric wire:	4 m (13.1 ft)
dimmer:	2 x built in

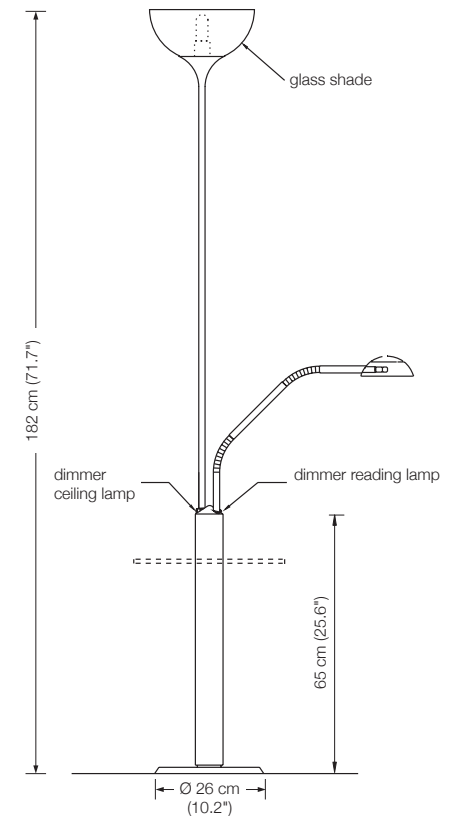
		€
MYOS – Ms	Solid brass polished, lacquered	2134.–
MYOS – Mt	Solid brass matt brushed, lacquered	2347.–
MYOS – Ni	Solid brass, nickel-plated	2134.–
MYOS – Nm	Solid brass nickel-plated, matt brushed	2347.–
MYOS – Cr	Solid brass, chrome-plated	2347.–

glass tabletop Ø 36 cm (14.2"), height 50 cm (19.7"),  
clear glass 10 mm (0.4") 300.–

Energy class floor lamp: A++ to E  
(Depending on the used bulb.)  
*This model will be sold with a class A+ bulb.*

Energy class reading lamp: B  
*This model will be sold with a class B bulb.*

Additional USA 110 V conversion kit: 64.–  
110 V bulbs are not included





## MYOS T 40

floor lamp / reading lamp

height:	182 cm (71.7")
width reading lamp:	approx. 50 cm (19.7")
shade floor lamp:	glass white-opal, Ø 40 cm (15.7")
shade reading lamp:	metal Ø 12 cm (4.7"), adjustable
lampholder floor lamp:	E27, max. 250 W
bulb floor lamp:	1 x OS E27 Parathom, dimmable 1080 Lumen, 2700° K, 11 W $\hat{=}$ 75 W incl.
lampholder reading lamp:	GY6.35, max. 50 W / 12 V
bulb reading lamp:	OSRAM HALOSTAR ECO 35 W $\hat{=}$ 50 W incl.
dimmer:	2 x built in

		€
MYOS T 40 – Ms	Solid brass polished, lacquered	2181.–
MYOS T 40 – Mt	Solid brass matt brushed, lacquered	2399.–
MYOS T 40 – Ni	Solid brass, nickel-plated	2181.–
MYOS T 40 – Nm	Solid brass nickel-plated, matt brushed	2399.–
MYOS T 40 – Cr	Solid brass, chrome-plated	2399.–

glass tabletop Ø 36 cm (14.2"), height 50 cm (19.7"),  
clear glass 10 mm (0.4") 300.–

## MYOS T 55

floor lamp / reading lamp

height:	182 cm (71.7")
width reading lamp:	approx. 50 cm (19.7")
shade floor lamp:	glass white-opal, Ø 55 cm (21.7")
shade reading lamp:	metal Ø 12 cm (4.7"), adjustable
lampholder floor lamp:	E27, max. 250 W
bulb floor lamp:	1 x OS E27 Parathom, dimmable 1080 Lumen, 2700° K, 11 W $\hat{=}$ 75 W incl.
lampholder reading lamp:	GY6.35, max. 50 W / 12 V
bulb reading lamp:	OSRAM HALOSTAR ECO 35 W $\hat{=}$ 50 W incl.
dimmer:	2 x built in

		€
MYOS T 55 – Ms	Solid brass polished, lacquered	2188.–
MYOS T 55 – Mt	Solid brass matt brushed, lacquered	2407.–
MYOS T 55 – Ni	Solid brass, nickel-plated	2188.–
MYOS T 55 – Nm	Solid brass nickel-plated, matt brushed	2407.–
MYOS T 55 – Cr	Solid brass, chrome-plated	2407.–

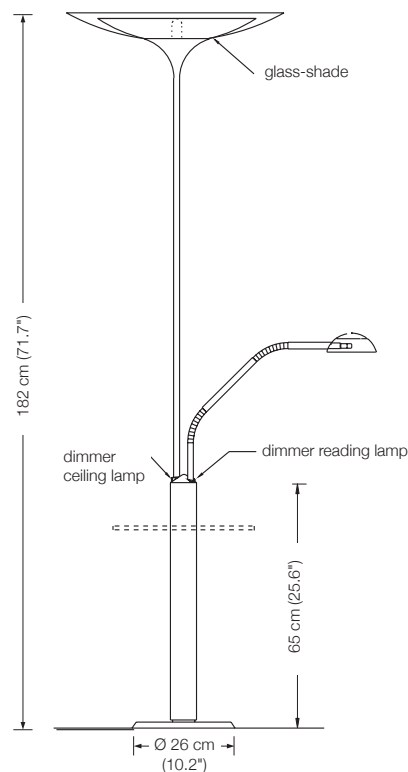
glass tabletop Ø 36 cm (14.2"), height 50 cm (19.7"),  
clear glass 10 mm (0.4") 300.–

Energy class floor lamp MYOS T 40 / 55: A++ bis E  
(Depending on the used bulb.)

This model will be sold with a class A+ bulb.

Energy class reading lamp MYOS T 40 / 55: B

This model will be sold with a class B bulb.



Additional USA 110 V conversion kit  
(MYOS / MYOS T):  
110 V bulbs are not included

64.–





**TAOS 55**  
 floor lamp  
 height: 160 - 210 cm (63" - 82.7") adjustable  
 shade: glass white-opal Ø 55 cm (21.7")  
 lampholder: E27, max. 250 W  
 bulb: 1 x OS E27 Parathom, dimmable  
 1080 Lumen, 2700° K, 11 W ≙ 75 W incl.  
 electric wire: 3 m (9.8 ft)  
 dimmer: on cord

		€
TAOS 55 – Ms	Solid brass polished, lacquered	1244.–
TAOS 55 – Mt	Solid brass matt brushed, lacquered	1344.–
TAOS 55 – Ni	Solid brass, nickel-plated	1244.–
TAOS 55 – Nm	Solid brass nickel-plated, matt brushed	1344.–
TAOS 55 – Cr	Solid brass, chrome-plated	1344.–

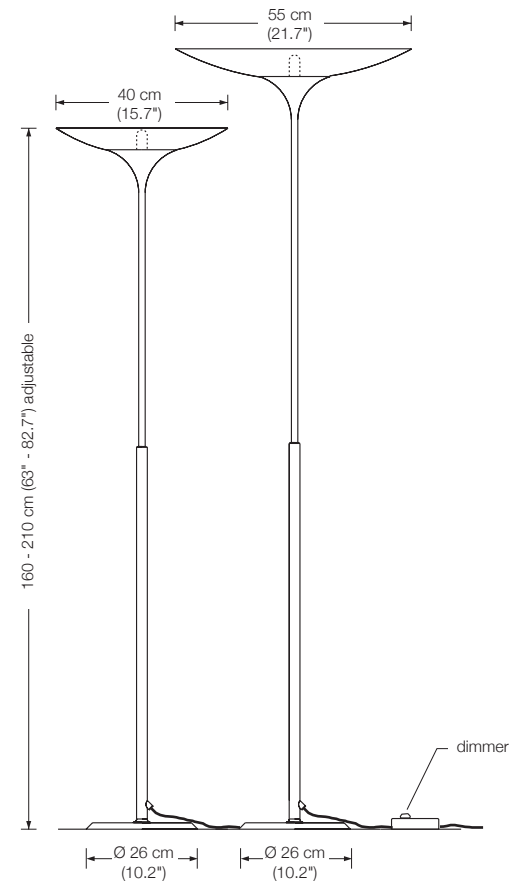
Additional USA 110 V conversion kit: 24.–  
 110 V bulbs are not included

**TAOS 40**  
 floor lamp  
 height: 160 - 210 cm (63" - 82.7") adjustable  
 shade: glass white-opal Ø 40 cm (15.7")  
 lampholder: E27, max. 250 W  
 bulb: 1 x OS E27 Parathom, dimmable  
 1080 Lumen, 2700° K, 11 W ≙ 75 W incl.  
 electric wire: 3 m (9.8 ft)  
 dimmer: on cord

		€
TAOS 40 – Ms	Solid brass polished, lacquered	1229.–
TAOS 40 – Mt	Solid brass matt brushed, lacquered	1327.–
TAOS 40 – Ni	Solid brass, nickel-plated	1229.–
TAOS 40 – Nm	Solid brass nickel-plated, matt brushed	1327.–
TAOS 40 – Cr	Solid brass, chrome-plated	1327.–

Additional USA 110 V conversion kit: 24.–  
 110 V bulbs are not included

Energy class TAOS 55 / 40: A++ to E  
 (Depending on the used bulb.)  
 This model will be sold with a class A+ bulb.



### TAOS 55 SD

floor lamp

height: 160 - 190 cm (63" - 74.8") adjustable  
shade: glass white-opal Ø 55 cm (21.7")  
lampholder: E27, max. 250 W  
bulb: 1 x OS E27 Parathom, dimmable  
1080 Lumen, 2700° K, 11 W  $\hat{=}$  75 W incl.  
electric wire: 3 m (9.8 ft)  
dimmer: built in

		€
TAOS 55 SD – Ms	Solid brass polished, lacquered	1461.–
TAOS 55 SD – Mt	Solid brass matt brushed, lacquered	1577.–
TAOS 55 SD – Ni	Solid brass, nickel-plated	1461.–
TAOS 55 SD – Nm	Solid brass nickel-plated, matt brushed	1577.–
TAOS 55 SD – Cr	Solid brass, chrome-plated	1577.–

Additional USA 110 V conversion kit: 12.–  
110 V bulbs are not included

### TAOS 40 SD

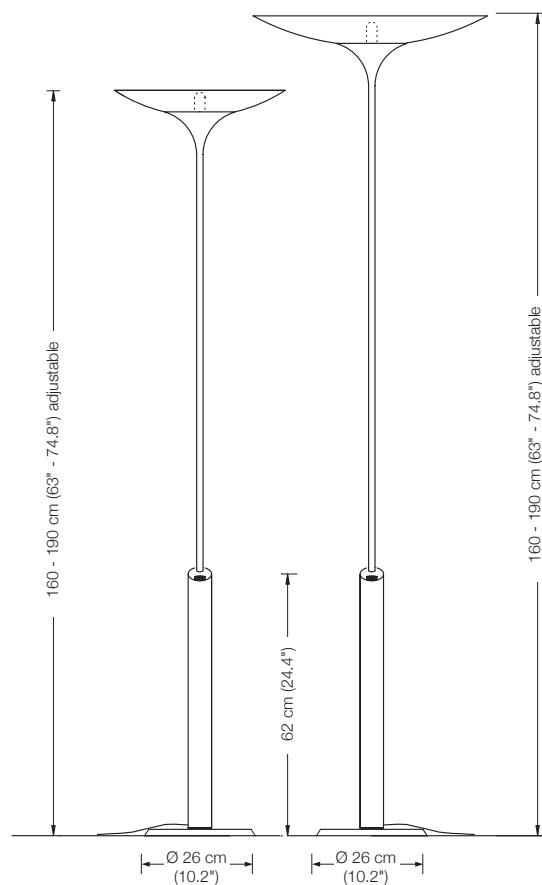
floor lamp

height: 160 - 190 cm (63" - 74.8") adjustable  
shade: glass white-opal Ø 40 cm (15.7")  
lampholder: E27, max. 250 W  
bulb: 1 x OS E27 Parathom, dimmable  
1080 Lumen, 2700° K, 11 W  $\hat{=}$  75 W incl.  
electric wire: 3 m (9.8 ft)  
dimmer: built in

		€
TAOS 40 SD – Ms	Solid brass polished, lacquered	1423.–
TAOS 40 SD – Mt	Solid brass matt brushed, lacquered	1536.–
TAOS 40 SD – Ni	Solid brass, nickel-plated	1423.–
TAOS 40 SD – Nm	Solid brass nickel-plated, matt brushed	1536.–
TAOS 40 SD – Cr	Solid brass, chrome-plated	1536.–

Additional USA 110 V conversion kit: 12.–  
110 V bulbs are not included

Energy class TAOS 55 SD / 40 SD: A++ to E  
(Depending on the used bulb.)  
This model will be sold with a class A+ bulb.





## UNA

arc floor lamp  
 mounting between floor and ceiling  
 variable up to 3.20 m (126") room height  
 arc height adjustable

shade: metal, Ø 17 cm (6.7"), rotatable  
 lampholder: B15d, max. 250 W  
 bulb: OSRAM HALOLUX CERAM ECO 150 W incl.  
 electric wire: 5 m (16.4 ft)  
 dimmer: built in

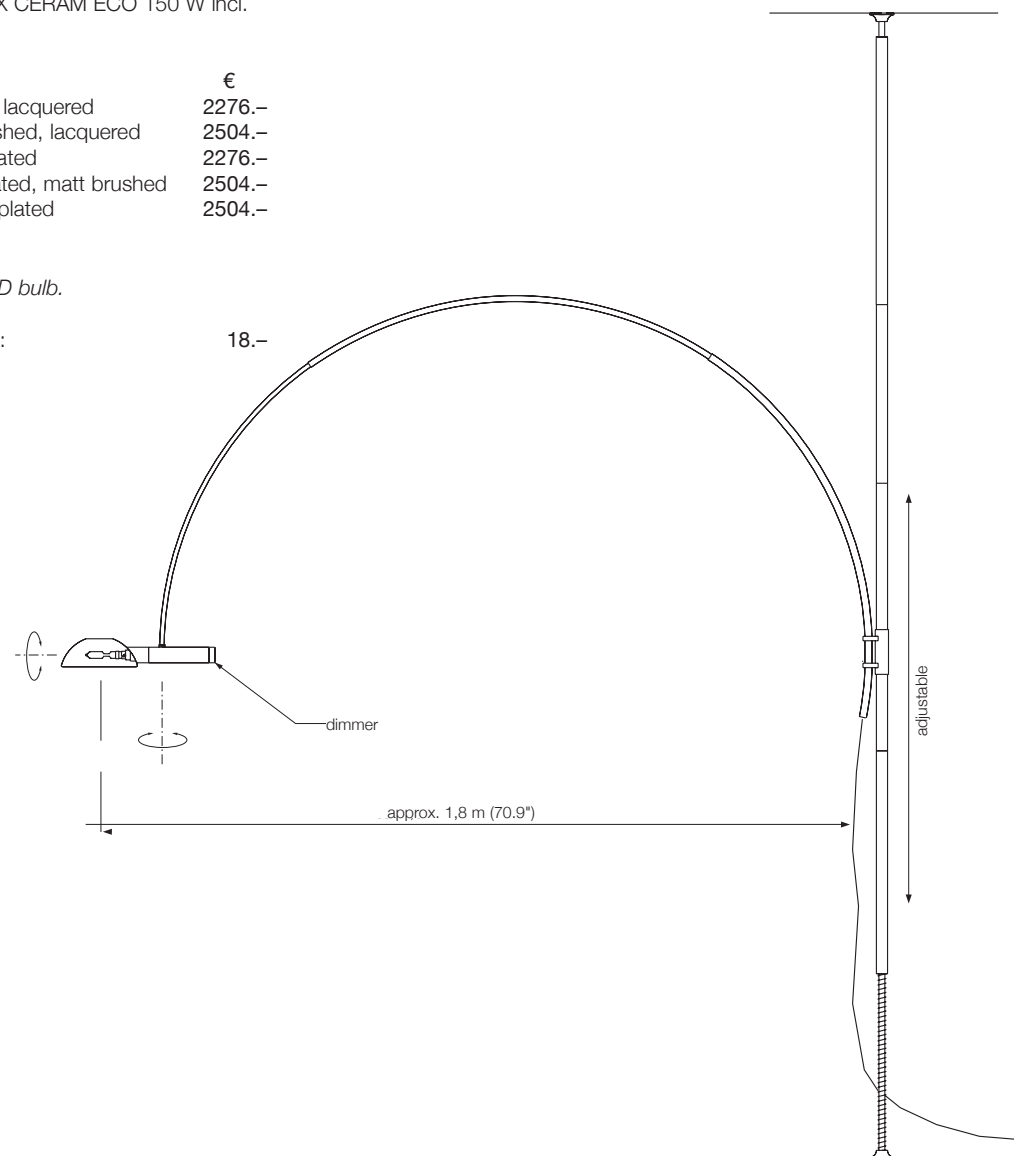
		€
UNA – Ms	Solid brass polished, lacquered	2276.–
UNA – Mt	Solid brass matt brushed, lacquered	2504.–
UNA – Ni	Solid brass, nickel-plated	2276.–
UNA – Nm	Solid brass nickel-plated, matt brushed	2504.–
UNA – Cr	Solid brass, chrome-plated	2504.–

Energy class: D

*This model will be sold with a class D bulb.*

Additional USA 110 V conversion kit:

18.–



## STE

floor reading lamp

height: adjustable  
shade: silk\*  
lampholder: E27, max. 250 W  
bulb: 1 x OS E27 Parathom, dimmable  
1080 Lumen, 2700° K, 11 W  $\hat{=}$  75 W incl.  
electric wire: 3 m (9.8 ft) textile cable black (standard)  
dimmer: on cord

		€
STE – Ms	Solid brass polished, lacquered	1034.–
STE – Mt	Solid brass matt brushed, lacquered	1117.–
STE – Ni	Solid brass, nickel-plated	1034.–
STE – Nm	Solid brass nickel-plated, matt brushed	1117.–
STE – Cr	Solid brass, chrome-plated	1117.–

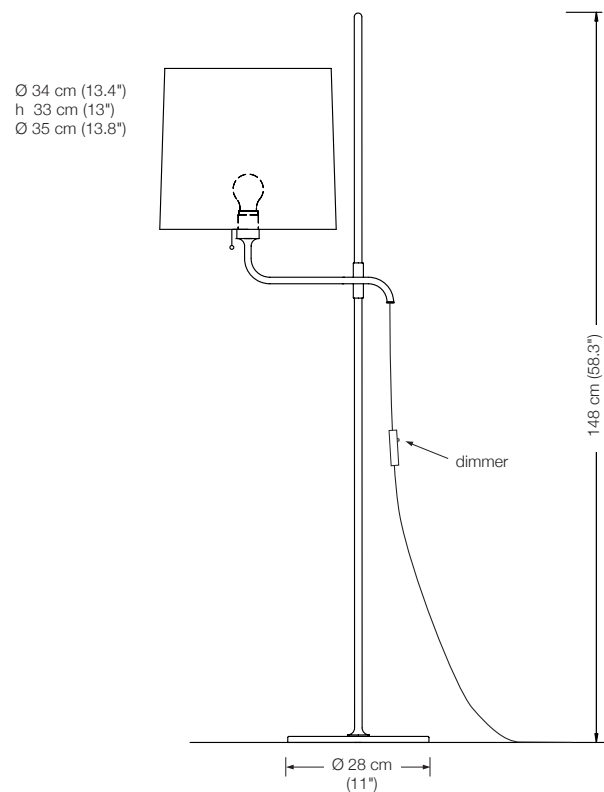
Additional USA 110 V conversion kit: 24.–

Energy class: A++ to E

(Depending on the used bulb.)

This model will be sold with a class A+ bulb.

\* fabric required: 120 x 60 cm (47.2" x 23.6")





## DROP

floor reading lamp / piano light

height: adjustable from 80 – 135 cm (31.5" – 53.1")

width: 70 cm (27.6")

shade: Ø 3 cm (1.2"), approx. 34 cm (13.4") long, 180° rotatable

bulb: LED-Line TW (approx. 18,6 W) incl., exchangeable  
approx. 1800 Lumen

color temperature: infinitely variable from 2700° – 5700° K

push button 1: tuning white

push button 2: on / off / dimming

colour rendering: > 92 Ra

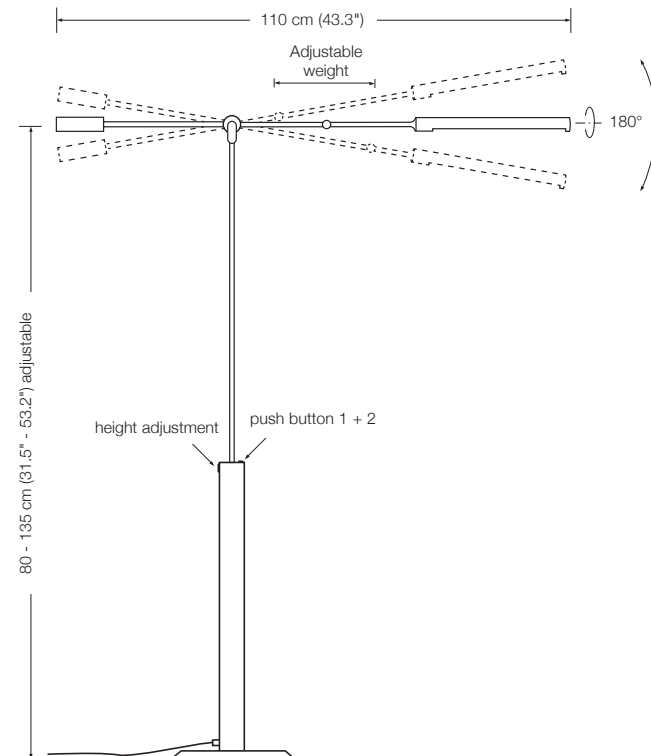
electric wire: 2,5 m (8.2 ft)

dimmer: built in

		€
DROP – Ms	Solid brass polished, lacquered	1592.–
DROP – Mt	Solid brass matt brushed, lacquered	1751.–
DROP – Ni	Solid brass, nickel-plated	1592.–
DROP – Nm	Solid brass nickel-plated, matt brushed	1751.–
DROP – Cr	Solid brass, chrome-plated	1751.–

US Plug Adapter: 20.–

Energy class: A++ to A







## PIN

floor reading lamp

height: 100 - 135 cm (39.4" - 53.2") adjustable

width: approx. 52 cm (20.5")

bulb: LED-Line 150 (approx. 6,4 Watt) incl.

exchangeable

approx. 650 Lumen

color temperature: warmwhite 2700 Kelvin

colour rendering: > 90 Ra

electric wire: 3 m (9.8 ft)

PIN – Ms	Solid brass polished, lacquered	€ 861.–
PIN – Mt	Solid brass matt brushed, lacquered	945.–
PIN – Ni	Solid brass, nickel-plated	861.–
PIN – Nm	Solid brass nickel-plated, matt brushed	945.–
PIN – Cr	Solid brass, chrome-plated	945.–

Additional USA 110 V conversion kit: 31.–

Energy class: A++ to A

## PIN d

floor reading lamp

height: 105 - 140 cm (41.3" - 55.1") adjustable

width: approx. 52 cm (20.5")

bulb: LED-Line 150 (approx. 8,4 Watt) incl.

exchangeable

approx. 840 Lumen

color temperature: warmwhite 2700 Kelvin

colour rendering: > 90 Ra

electric wire: 3 m (9.8 ft)

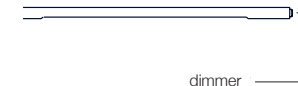
dimmer: built in

PIN d – Ms	Solid brass polished, lacquered	€ 987.–
PIN d – Mt	Solid brass matt brushed, lacquered	1082.–
PIN d – Ni	Solid brass, nickel-plated	987.–
PIN d – Nm	Solid brass nickel-plated, matt brushed	1082.–
PIN d – Cr	Solid brass, chrome-plated	1082.–

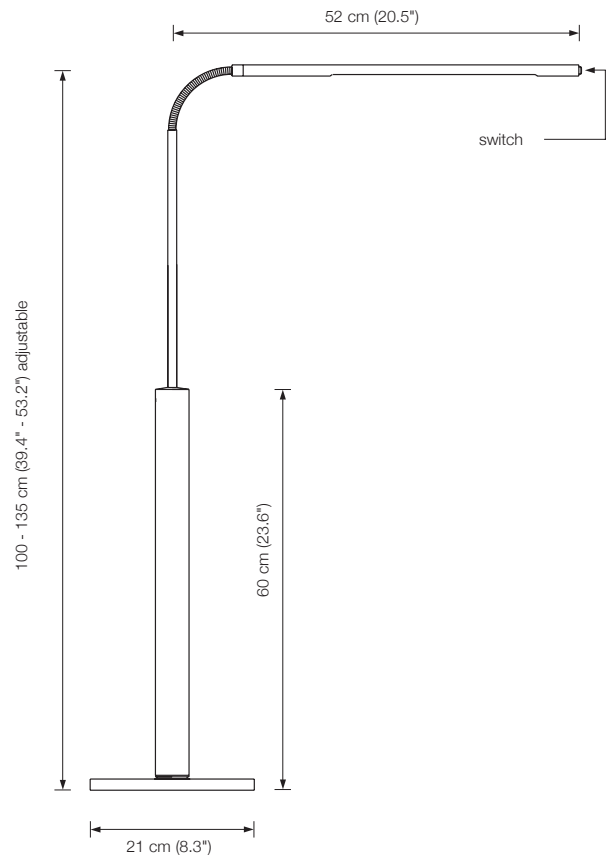
Additional USA 110 V conversion kit: 42.–

US Plug Adapter: 20.–

Energy class: A++ to A









## INAS

floor reading lamp

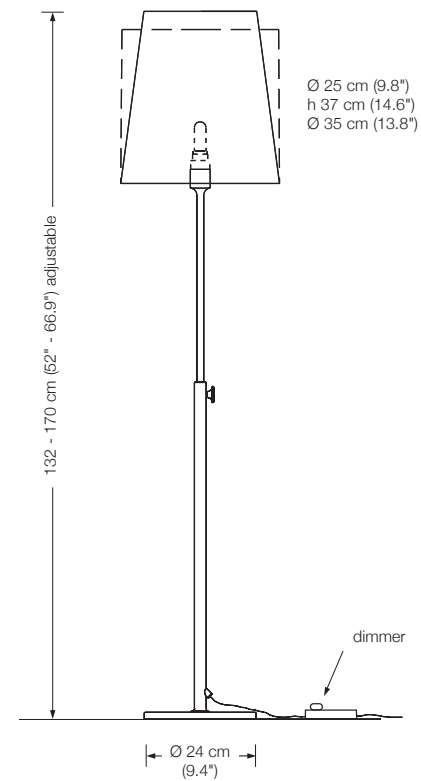
height: 132 - 170 cm (52" - 66.9") adjustable  
 shade: silk, conical or straight\*  
 lampholder: E27, max. 250 W  
 bulb: 1 x OS E27 Parathom, dimmable  
 1080 Lumen, 2700° K, 11 W  $\hat{=}$  75 W incl.  
 electric wire: 4 m (13.1 ft)  
 dimmer: on cord

		€
INAS – Ms	Solid brass polished, lacquered	1044.–
INAS – Mt	Solid brass matt brushed, lacquered	1128.–
INAS – Ni	Solid brass, nickel-plated	1044.–
INAS – Nm	Solid brass nickel-plated, matt brushed	1128.–
INAS – Cr	Solid brass, chrome-plated	1128.–

Energy class: A++ to E  
 (Depending on the used bulb.)  
 This model will be sold with a class A+ bulb.

Additional USA 110 V conversion kit: 24.–  
 110 V bulbs not incl.

\* Please indicate with order.  
 fabric required: 120 x 60 cm (47.3" x 23.6")



## INAS SD

floor reading lamp

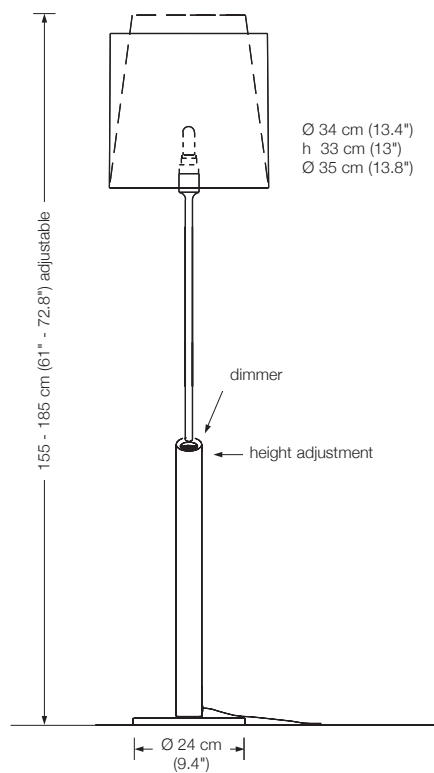
height: 155 - 185 cm (61" - 72.8") adjustable  
 shade: silk, conical or straight\*  
 lampholder: E27, max. 250 W  
 bulb: 1 x OS E27 Parathom, dimmable  
 1080 Lumen, 2700° K, 11 W  $\hat{=}$  75 W incl.  
 electric wire: 4 m (13.1 ft)  
 dimmer: built in

		€
INAS SD – Ms	Solid brass polished, lacquered	1281.–
INAS SD – Mt	Solid brass matt brushed, lacquered	1407.–
INAS SD – Ni	Solid brass, nickel-plated	1281.–
INAS SD – Nm	Solid brass nickel-plated, matt brushed	1407.–
INAS SD – Cr	Solid brass, chrome-plated	1407.–

Energy class: A++ to E  
 (Depending on the used bulb.)  
 This model will be sold with a class A+ bulb.

Additional USA 110 V conversion kit: 12.–  
 110 V bulbs not incl.

\* Please indicate with order.  
 fabric required: 120 x 60 cm (47.3" x 23.6")





## YON

floor reading lamp

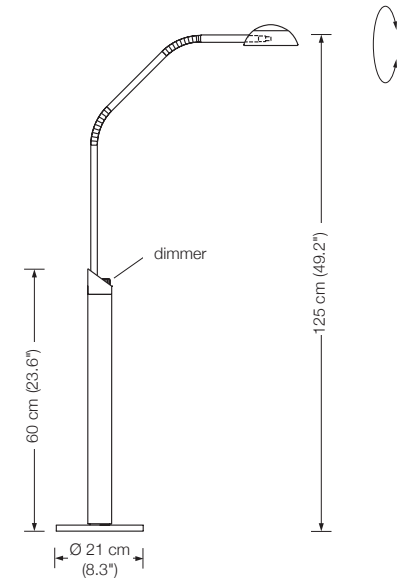
height: adjustable  
 shade: metal Ø 12 cm (4.7"), rotatable  
 lampholder: GY6.35, max. 50 W / 12 V  
 bulb: OSRAM HALOSTAR ECO 35 W  $\triangleq$  50 W incl.  
 electric wire: 4 m (13.1 ft)  
 dimmer: on cord

YON – Ms	Solid brass polished, lacquered	€ 1197.–
YON – Mt	Solid brass matt brushed, lacquered	1317.–
YON – Ni	Solid brass, nickel-plated	1197.–
YON – Nm	Solid brass nickel-plated, matt brushed	1317.–
YON – Cr	Solid brass, chrome-plated	1317.–

Energy class: B

*This model will be sold with a class B bulb.*

Additional USA 110 V conversion kit: 64.–



## YON G

floor reading lamp

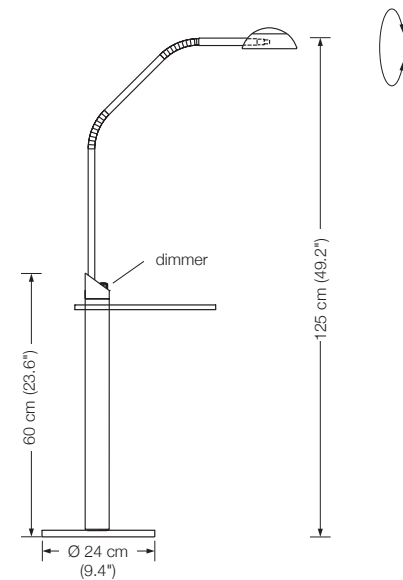
with glass tabletop Ø 30 cm (11.8"), clear glass  
 height: adjustable  
 shade: metal Ø 12 cm (4.7"), rotatable  
 lampholder: GY6.35, max. 50 W / 12 V  
 bulb: OSRAM HALOSTAR ECO 35 W  $\triangleq$  50 W incl.  
 electric wire: 4 m (13.1 ft)  
 dimmer: on cord

YON G – Ms	Solid brass polished, lacquered	€ 1323.–
YON G – Mt	Solid brass matt brushed, lacquered	1455.–
YON G – Ni	Solid brass, nickel-plated	1323.–
YON G – Nm	Solid brass nickel-plated, matt brushed	1455.–
YON G – Cr	Solid brass, chrome-plated	1455.–

Energy class: B

*This model will be sold with a class B bulb.*

Additional USA 110 V conversion kit: 64.–







## CERVANTES

floor reading lamp

height: 80 - 120 cm (31.5" - 47.2") adjustable

shade: metal, rotatable

lampholder: E27, max. 100 W

bulb: 1 x OS E27 Parathom, dimmable  
1080 Lumen, 2700° K, 11 W  $\hat{=}$  75 W incl.

electric wire: 4 m (13.1 ft)

dimmer: on cord

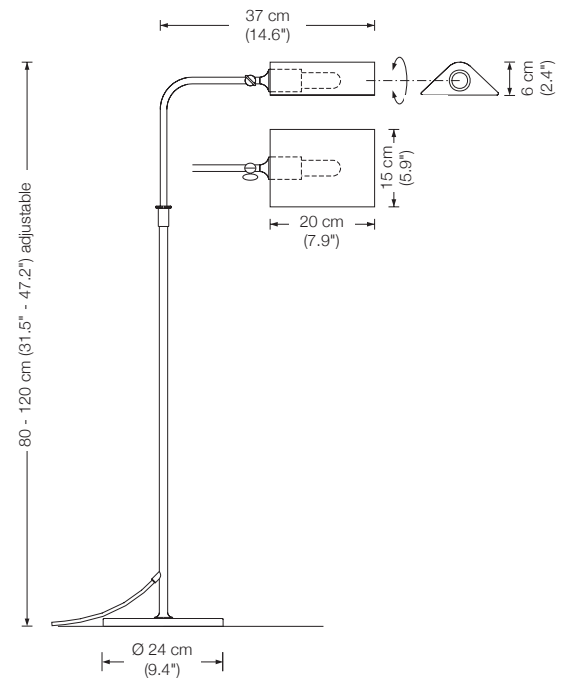
		€
CERVANTES – Ms	Solid brass polished, lacquered	992.–
CERVANTES – Mt	Solid brass matt brushed, lacquered	1092.–
CERVANTES – Ni	Solid brass, nickel-plated	992.–
CERVANTES – Nm	Solid brass nickel-plated, matt brushed	1092.–
CERVANTES – Cr	Solid brass, chrome-plated	1092.–

Additional USA 110 V conversion kit: 12.–  
110 V bulbs not incl.

Energy class: A++ to E

(Depending on the used bulb.)

*This model will be sold with a class A+ bulb.*





## LESAN M

floor reading lamp

height: 90 - 135 cm (35.4" - 53.1") adjustable  
 shade: metal Ø 28 cm (11")  
 lampholder: E27, max. 100 W  
 bulb: 1 x OS E27 Parathom, dimmable  
 1080 Lumen, 2700° K, 11 W  $\hat{=}$  75 W incl.  
 electric wire: 3 m (9.8 ft)  
 dimmer: on cord

		€
LESAN M – Ms	Solid brass polished, lacquered	1204.–
LESAN M – Mt	Solid brass matt brushed, lacquered	1325.–
LESAN M – Ni	Solid brass, nickel-plated	1204.–
LESAN M – Nm	Solid brass nickel-plated, matt brushed	1325.–
LESAN M – Cr	Solid brass, chrome-plated	1325.–

Energy class: A++ to E

(Depending on the used bulb.)

This model will be sold with a class A+ bulb.

Additional USA 110 V conversion kit: 24.–  
 110 V bulbs not incl.

## LESAN S

floor reading lamp

height: 90 - 135 cm (35.4" - 53.1") adjustable  
 shade: silk\* Ø 28 cm (11")  
 lampholder: E27, max. 100 W  
 bulb: 1 x OS E27 Parathom, dimmable  
 1080 Lumen, 2700° K, 11 W  $\hat{=}$  75 W incl.  
 electric wire: 3 m (9.8 ft)  
 dimmer: on cord

		€
LESAN S – Ms	Solid brass polished, lacquered	1047.–
LESAN S – Mt	Solid brass matt brushed, lacquered	1120.–
LESAN S – Ni	Solid brass, nickel-plated	1047.–
LESAN S – Nm	Solid brass nickel-plated, matt brushed	1120.–
LESAN S – Cr	Solid brass, chrome-plated	1120.–

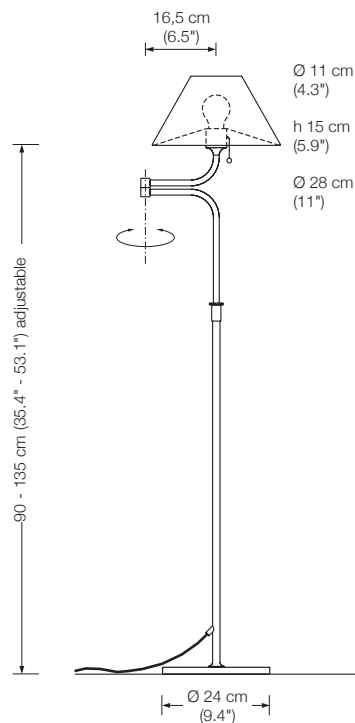
Energy class: A++ to E

(Depending on the used bulb.)

This model will be sold with a class A+ bulb.

Additional USA 110 V conversion kit: 24.–  
 110 V bulbs not incl.

\* fabric required: 50 x 80 cm (19.7" x 31.5")





## TOPAN

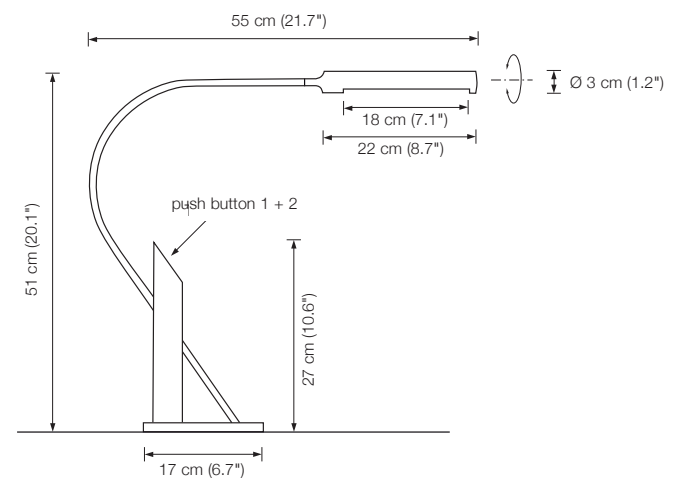
table lamp

height: 51 cm (20.1")  
 width: 55 cm (21.7")  
 shade: Ø 3 cm (1.2"), approx. 23 cm (9.1") long, 180° rotatable  
 bulb: LED-Line TW (approx. 12,5 W) incl., exchangeable  
 approx. 1330 Lumen  
 color temperature: infinitely variable from 2700° – 5700° K  
 push button 1: tuning white  
 push button 2: on / off / dimming  
 colour rendering: > 92 Ra  
 electric wire: 2,5 m (8.2 ft)  
 dimmer: built in

		€
TOPAN – Ms	Solid brass polished, lacquered	1340.–
TOPAN – Mt	Solid brass matt brushed, lacquered	1480.–
TOPAN – Ni	Solid brass, nickel-plated	1340.–
TOPAN – Nm	Solid brass nickel-plated, matt brushed	1480.–
TOPAN – Cr	Solid brass, chrome-plated	1480.–

US Plug Adapter: 20.–

Energy class: A++ to A





## TOLED

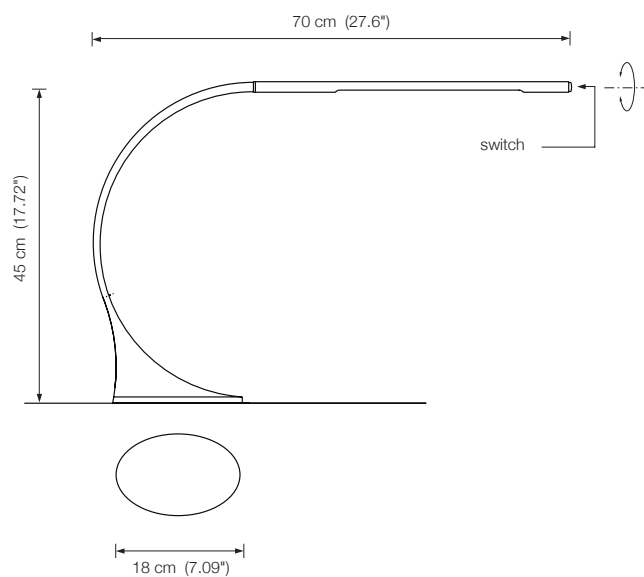
desk lamp

height: 45 cm (17.7")  
width: 70 cm (27.6")  
shade: rotatable  
bulb: LED-Line 150 (approx. 6 Watt) incl.  
exchangeable  
approx. 600 Lumen  
color temperature: warmwhite 2700 Kelvin  
colour rendering: > 90 Ra  
electric wire: 2,5 m (8.2 ft)

		€
TOLED – Ms	Solid brass polished, lacquered	1340.–
TOLED – Mt	Solid brass matt brushed, lacquered	1480.–
TOLED – Ni	Solid brass, nickel-plated	1340.–
TOLED – Nm	Solid brass nickel-plated, matt brushed	1480.–
TOLED – Cr	Solid brass, chrome-plated	1480.–

Energy class: A++ to A

Additional USA 110 V conversion kit: 31.–





**PIN T**

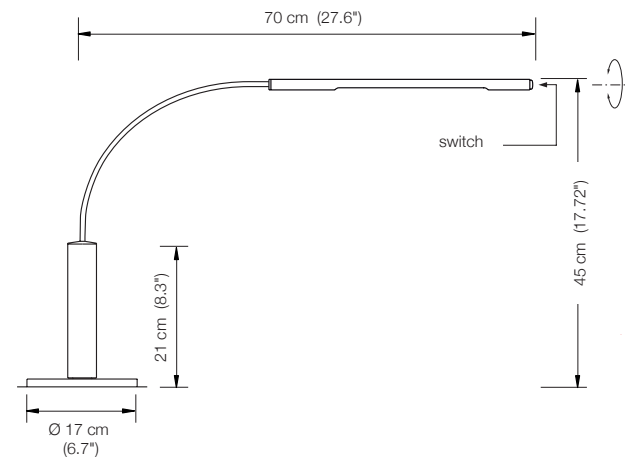
desk lamp

height: 45 cm (17.7")  
width: 70 cm (27.6")  
shade: rotatable  
bulb: LED-Line 150 (approx. 6 Watt) incl.  
exchangeable  
approx. 600 Lumen  
color temperature: warmwhite 2700 Kelvin  
colour rendering: > 90 Ra  
electric wire: 3 m (9.8 ft)

		€
PIN T – Ms	Solid brass polished, lacquered	882.–
PIN T – Mt	Solid brass matt brushed, lacquered	966.–
PIN T – Ni	Solid brass, nickel-plated	882.–
PIN T – Nm	Solid brass nickel-plated, matt brushed	966.–
PIN T – Cr	Solid brass, chrome-plated	966.–

Energy class: A++ to A

Additional USA 110 V conversion kit: 31.–



## YON T

table lamp

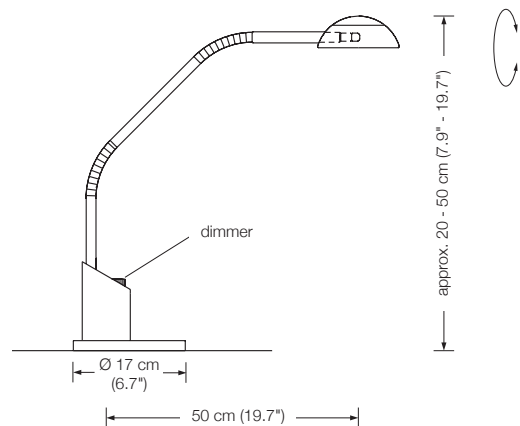
shade: metal Ø 12 cm (4.7"), adjustable  
 lampholder: GY 6.35, max. 50 W / 12 V  
 bulb: OSRAM HALOSTAR ECO 35 W  $\hat{=}$  50 W incl.  
 electric wire: 2,5 m (8.2 ft)  
 dimmer: built in

		€
YON T – Ms	Solid brass polished, lacquered	1232.–
YON T – Mt	Solid brass matt brushed, lacquered	1355.–
YON T – Ni	Solid brass, nickel-plated	1232.–
YON T – Nm	Solid brass nickel-plated, matt brushed	1355.–
YON T – Cr	Solid brass, chrome-plated	1355.–

Energy class: B

*This model will be sold with a class B bulb.*

Additional USA 110 V conversion kit: 64.–





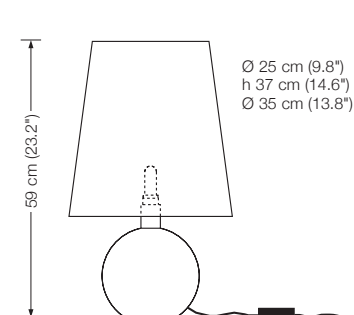
## ORA 20

table lamp  
 metal ball Ø 20 cm (7.9")  
 height: 59 cm (23.2")  
 shade: silk\*  
 lampholder: E27, max. 150 W  
 bulb: 1 x OS E27 Parathom, dimmable  
 1080 Lumen, 2700° K, 11 W ≙ 75 W incl.  
 electric wire: 3 m (9.8 ft)  
 dimmer: on cord

		€
ORA 20 – Ms	Solid brass polished, lacquered	928.–
ORA 20 – Mt	Solid brass matt brushed, lacquered	1003.–
ORA 20 – Ni	Solid brass, nickel-plated	928.–
ORA 20 – Nm	Solid brass nickel-plated, matt brushed	1003.–
ORA 20 – Cr	Solid brass, chrome-plated	1003.–

Additional USA 110 V conversion kit: 12.–  
 110 V bulbs not included

\* fabric required: 120 x 60 cm (47.2" x 23.6")



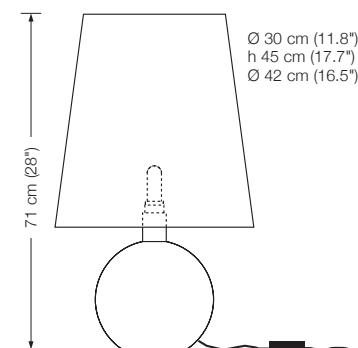
## ORA 25

table lamp  
 metal ball Ø 25 cm (9.8")  
 height: 71 cm (28")  
 shade: silk\*  
 lampholder: E27, max. 150 W  
 bulb: 1 x OS E27 Parathom, dimmable  
 1080 Lumen, 2700° K, 11 W ≙ 75 W incl.  
 electric wire: 3 m (9.8 ft)  
 dimmer: on cord

		€
ORA 25 – Ms	Solid brass polished, lacquered	1037.–
ORA 25 – Mt	Solid brass matt brushed, lacquered	1120.–
ORA 25 – Ni	Solid brass, nickel-plated	1037.–
ORA 25 – Nm	Solid brass nickel-plated, matt brushed	1120.–
ORA 25 – Cr	Solid brass, chrome-plated	1120.–

Additional USA 110 V conversion kit: 12.–  
 110 V bulbs not included

\* fabric required: 140 x 70 cm (55.1" x 27.6")



Energy class ORA 20 / 25: A++ to E  
 (Depending on the used bulb.)  
 This model will be sold with a class A+ bulb.

## ELAS

table lamp

height: 50 - 70 cm (19.7" - 27.6") adjustable  
 shade: metal Ø 28 cm (11")  
 lampholder: E27, max. 100 W  
 bulb: 1 x OS E27 Parathom, dimmable  
 1080 Lumen, 2700° K, 11 W  $\hat{=}$  75 W incl.  
 electric wire: 2,5 m (8.2 ft)  
 dimmer: on cord

ELAS – Ms	Solid brass polished, lacquered	€ 933.–
ELAS – Mt	Solid brass matt brushed, lacquered	1027.–
ELAS – Ni	Solid brass, nickel-plated	933.–
ELAS – Nm	Solid brass nickel-plated, matt brushed	1027.–
ELAS – Cr	Solid brass, chrome-plated	1027.–

Energy class: A++ to E  
 (Depending on the used bulb.)  
 This model will be sold with a class A+ bulb.

Additional USA 110 V conversion kit 24.–  
 110 V bulbs not included

## ELAS S

table lamp

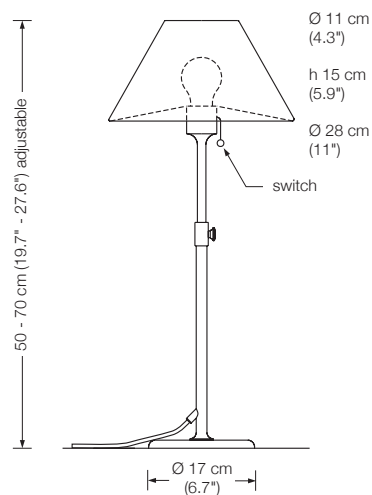
height: 50 - 70 cm (19.7" - 27.6") adjustable  
 shade: silk\* Ø 28 cm (11")  
 lampholder: E27, max. 100 W  
 bulb: 1 x OS E27 Parathom, dimmable  
 1080 Lumen, 2700° K, 11 W  $\hat{=}$  75 W incl.  
 electric wire: 2,5 m (8.2 ft)  
 dimmer: on cord

ELAS S – Ms	Solid brass polished, lacquered	€ 717.–
ELAS S – Mt	Solid brass matt brushed, lacquered	768.–
ELAS S – Ni	Solid brass, nickel-plated	717.–
ELAS S – Nm	Solid brass nickel-plated, matt brushed	768.–
ELAS S – Cr	Solid brass, chrome-plated	768.–

Energy class: A++ to E  
 (Depending on the used bulb.)  
 This model will be sold with a class A+ bulb.

Additional USA 110 V conversion kit 24.–  
 110 V bulbs not included

\* fabric required: 50 x 80 cm (19.7" x 31.5")





## TOA

table lamp

flexible and specially reinforced metal arm

height: up to max. 50 cm (19.7")

shade: TEFLON white, Ø 7 cm (2.8")

lampholder: GY6.35, max. 20 W / 12 V

Leuchtmittel: OSRAM HALOSTAR ECO 35 W  $\triangleq$  50 W incl.

electric wire: 2,5 m (8.2 ft)

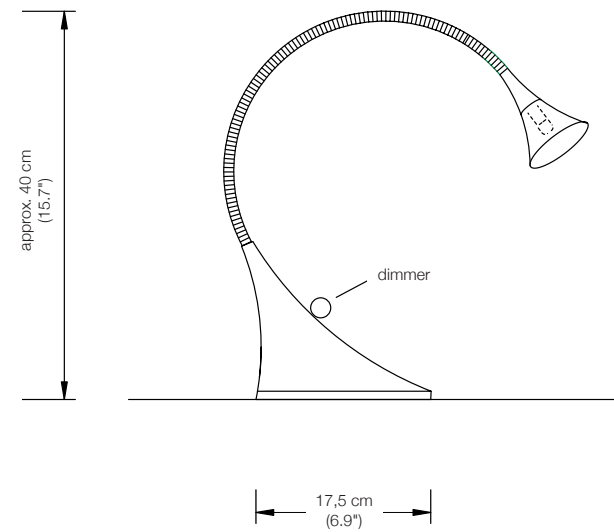
dimmer: built in

		€
TOA – Ms	Solid brass polished, lacquered	814.–
TOA – Mt	Solid brass matt brushed, lacquered	896.–
TOA – Ni	Solid brass, nickel-plated	814.–
TOA – Nm	Solid brass nickel-plated, matt brushed	896.–
TOA – Cr	Solid brass, chrome-plated	896.–

Energy class: B

*This model will be sold with a class B bulb.*

Additional USA 110 V conversion kit: 80.–



## ESA

table lamp

flexible and specially reinforced metal arm

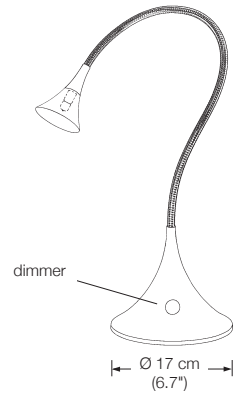
height: up to 50 cm (19.7")  
shade: TEFLON white, Ø 7 cm (2.8")  
lampholder: GY 6.35, max. 20 W  
bulb: OSRAM HALOSTAR IRC 20 W incl.  
electric wire: 2,5 m (8.2 ft)  
dimmer: built in

		€
ESA – Ms	Solid brass polished, lacquered	610.–
ESA – Mt	Solid brass matt brushed, lacquered	671.–
ESA – Ni	Solid brass, nickel-plated	610.–
ESA – Nm	Solid brass nickel-plated, matt brushed	671.–
ESA – Cr	Solid brass, chrome-plated	671.–

Energy class: C

*This model will be sold with a class C bulb.*

Additional USA 110 V conversion kit: 80.–





### PIN W dim

wall lamp

height: 48 cm (18.9")

width: 65 cm (25.6")

bulb: LED-Line 150 (approx. 8,4 Watt) incl.

exchangeable

approx. 840 Lumen

color temperature: warmwhite 2700 Kelvin

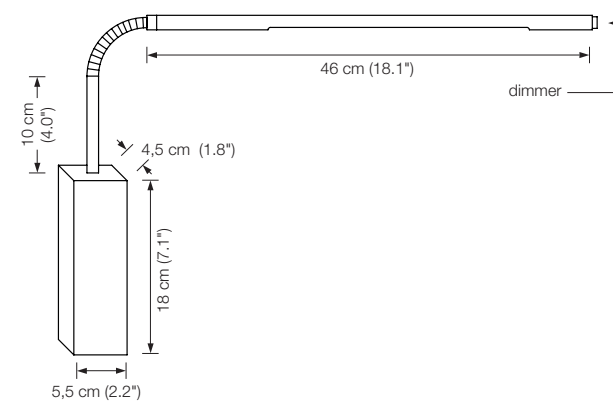
colour rendering: > 90 Ra

dimmer: built in

		€
PIN W dim – Ms	Solid brass polished, lacquered	714.–
PIN W dim – Mt	Solid brass matt brushed, lacquered	785.–
PIN W dim – Ni	Solid brass, nickel-plated	714.–
PIN W dim – Nm	Solid brass nickel-plated, matt brushed	785.–
PIN W dim – Cr	Solid brass, chrome-plated	785.–

Energy class: A++ to A

Additional USA 110 V conversion kit 12.–





## WED

wall lamp

width: 40 cm (15.7")

lampholder: GU5.3

bulb: Philips MASTER LEDspot 8 - 50 W incl.

MR16 830 36° DIM

approx. 660 Lumen

color temperature: warmwhite 2700 Kelvin

colour rendering: > 82 Ra

		€
WED – Ms	Solid brass polished, lacquered	609.–
WED – Mt	Solid brass matt brushed, lacquered	670.–
WED – Ni	Solid brass, nickel-plated	609.–
WED – Nm	Solid brass nickel-plated, matt brushed	670.–
WED – Cr	Solid brass, chrome-plated	670.–

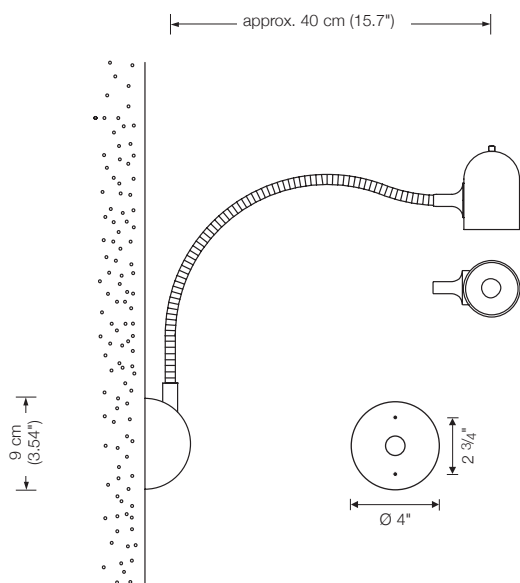
Energy class: A++ to A

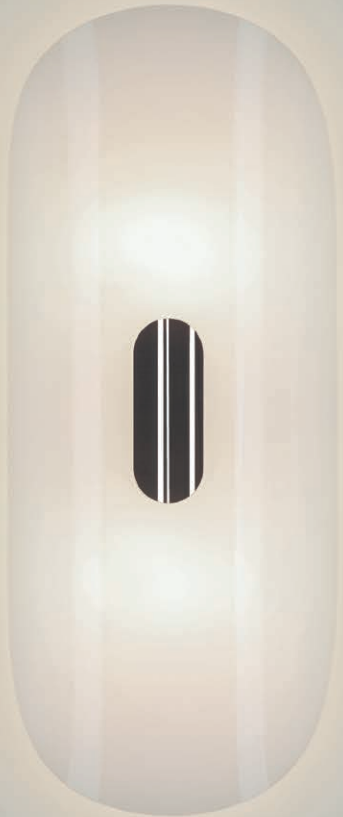
Replacement bulbs can be ordered through VS Manufaktur.

4" junction box: not covered

Backplate Ø 12 cm (4.72") 68.–

Additional USA 110 V conversion kit 12.–





## GEA

wall lamp  
 height: 43 cm (16.9")  
 shade: glass white-opal  
 lampholder: 2 x E27, max. 2 x 100 W  
 bulb: 2 x OS E27 Parathom, dimmable  
 à 1080 Lumen, 2700° K, 11 W  $\hat{=}$  75 W incl.

		€
GEA – Ms	Solid brass polished, lacquered	618.–
GEA – Mt	Solid brass matt brushed, lacquered	649.–
GEA – Ni	Solid brass, nickel-plated	618.–
GEA – Nm	Solid brass nickel-plated, matt brushed	649.–
GEA – Cr	Solid brass, chrome-plated	649.–

Energy class: A++ to E

(Depending on the used bulb.)

*This model will be sold with a class A+ bulb.*

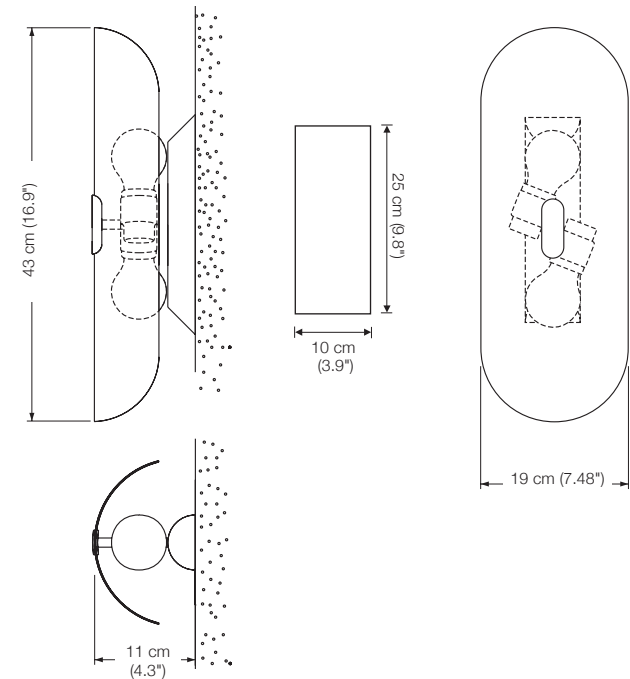
4" junction box: not covered

Backplate rectangular 25 x 10 cm (9.8" x 3.9", standard)

or 25 x 12 cm (9.8" x 4.7", please indicate with order) 166.–

Additional USA 110 V conversion kit: 12.–

110 V bulbs not included



# ALIA

wall lamp  
indirect light

height: 47 cm (18.5")  
shade: metal  
lampholder: 2 x E27, max. 2 x 100 W  
bulb: 2 x OS E27 Parathom, dimmable  
à 1080 Lumen, 2700° K, 11 W ≙ 75 W incl.

		€
ALIA – Ms	Solid brass polished, lacquered	746.–
ALIA – Mt	Solid brass matt brushed, lacquered	820.–
ALIA – Ni	Solid brass, nickel-plated	746.–
ALIA – Nm	Solid brass nickel-plated, matt brushed	820.–
ALIA – Cr	Solid brass, chrome-plated	820.–

Energy class: A++ to E

*(Depending on the used bulb.)*

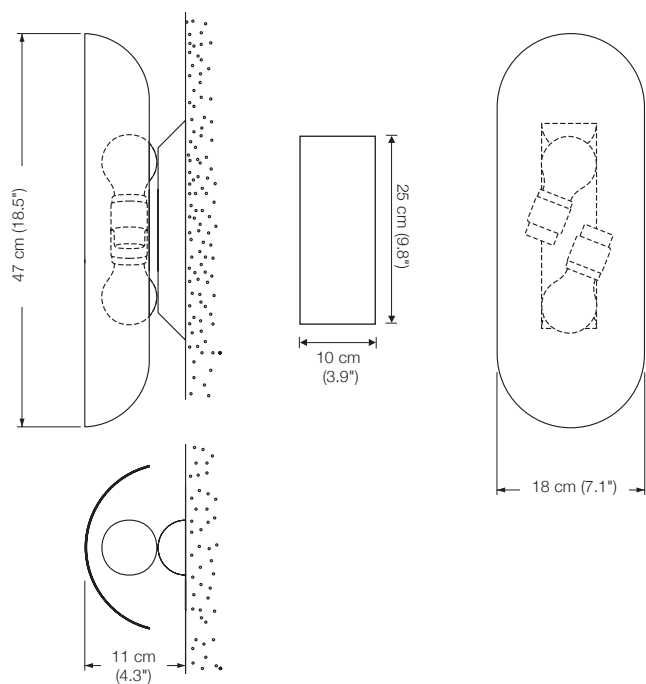
*This model will be sold with a class A+ bulb.*

4" junction box: not covered

Backplate rectangular 25 x 10 cm (9.8" x 3.9", standard)  
or 25 x 12 cm (9.8" x 4.7", please indicate with order) 166.–

Additional USA 110 V conversion kit: 12.–

110 V bulbs not included





## BEO

wall and stairway lamp

direct and indirect light

glass diffuser top and bottom

width: 36 cm (14.2")

lampholder: 2 x E27, max. 2 x 100 W

bulb: 2 x OS E27 Parathom, dimmable  
à 1080 Lumen, 2700° K, 11 W  $\hat{=}$  75 W incl.

		€
BEO – Ms	Solid brass polished, lacquered	929.–
BEO – Mt	Solid brass matt brushed, lacquered	1023.–
BEO – Ni	Solid brass, nickel-plated	929.–
BEO – Nm	Solid brass nickel-plated, matt brushed	1023.–
BEO – Cr	Solid brass, chrome-plated	1023.–

Energy class: A++ to E

*(Depending on the used bulb.)*

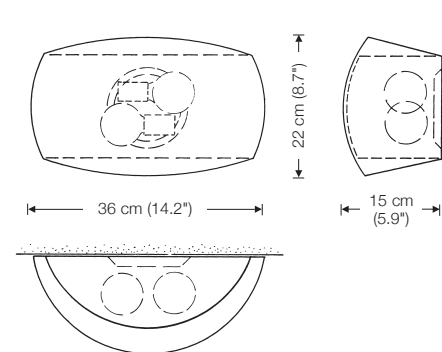
*This model will be sold with a class A+ bulb.*

4" junction box: covered

Additional USA 110 V conversion kit

12.–

110 V bulbs not included



### ERA 33

wall lamp

width: 33 cm (13")  
 bottom glass diffuser  
 lampholder: 2 x G9, max. 2 x 75 W / 230 V  
 bulb: 2 x OSRAM HALOPIN ECO 60 W incl.

		€
ERA 33 – Ms	Solid brass polished, lacquered	609.–
ERA 33 – Mt	Solid brass matt brushed, lacquered	670.–
ERA 33 – Ni	Solid brass, nickel-plated	609.–
ERA 33 – Nm	Solid brass nickel-plated, matt brushed	670.–
ERA 33 – Cr	Solid brass, chrome-plated	670.–

additional top glass diffuser 25.–  
 Please indicate with order

Energy class: D  
 This model will be sold with a class D bulb.

4" junction box: not covered  
 Additional USA 110 V conversion kit 12.–  
 110 V bulbs not included

### ERA 40

wall lamp

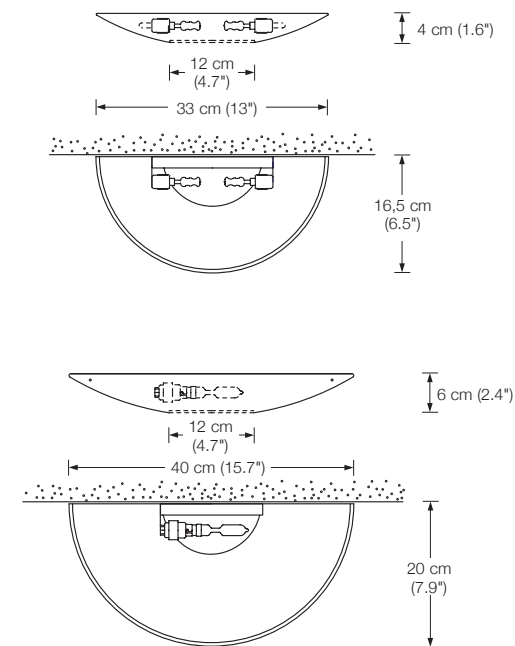
width: 40 cm (15.7")  
 bottom glass diffuser  
 lampholder: B15d, max. 150 W / 230 V  
 bulb: OSRAM HALOLUX CERAM ECO 100 W incl.

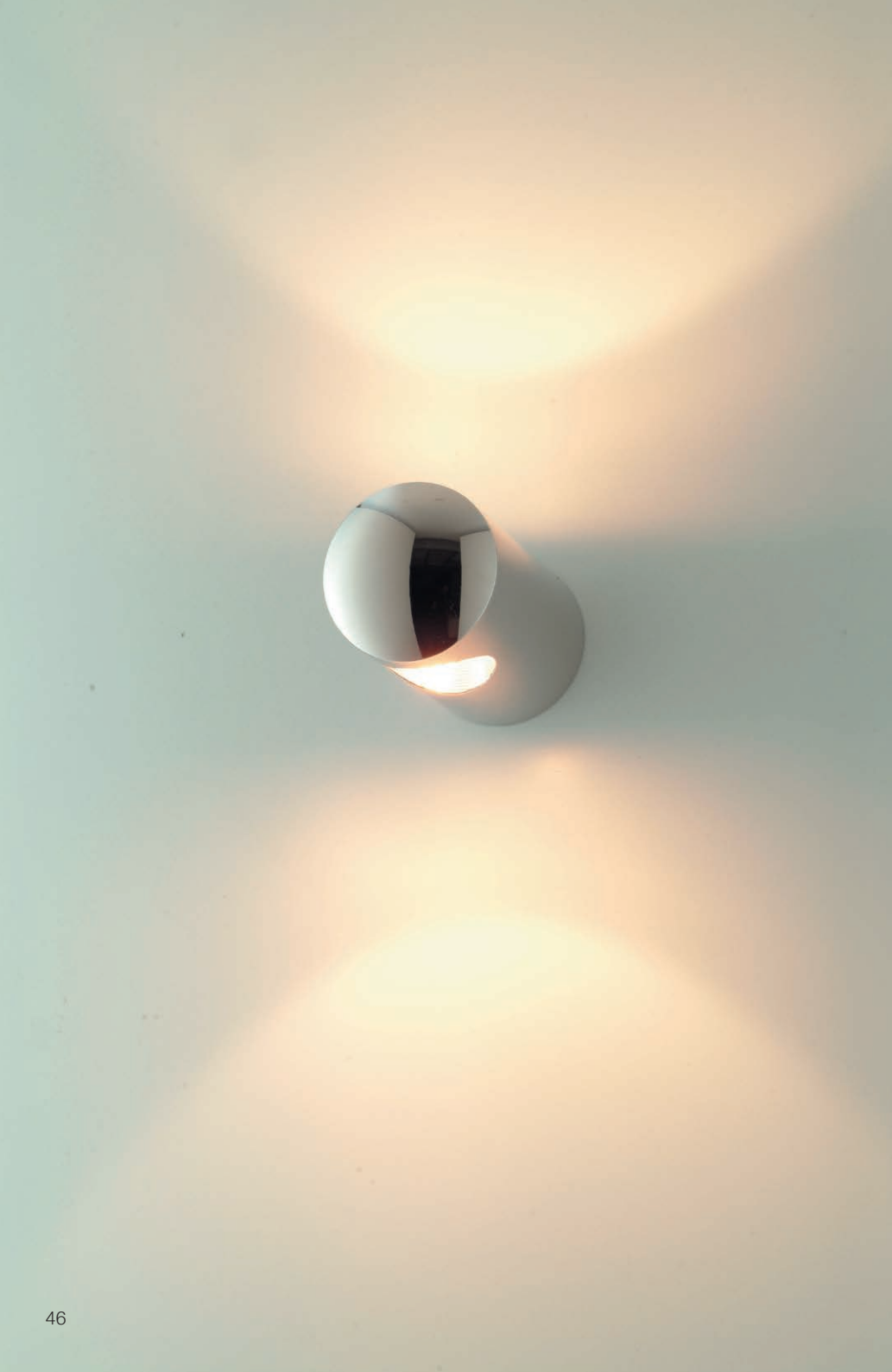
		€
ERA 40 – Ms	Solid brass polished, lacquered	714.–
ERA 40 – Mt	Solid brass matt brushed, lacquered	785.–
ERA 40 – Ni	Solid brass, nickel-plated	714.–
ERA 40 – Nm	Solid brass nickel-plated, matt brushed	785.–
ERA 40 – Cr	Solid brass, chrome-plated	785.–

additional top glass diffuser 27.–  
 Please indicate with order

Energy class: D  
 This model will be sold with a class D bulb.

4" junction box: not covered  
 Additional USA 110 V conversion kit 12.–  
 110 V bulbs not included





## CINA W

wall lamp

width: approx. 14 cm (5.5")  
 lampholder: G9, max 75 W  
 bulb: OSRAM HALOPIN ECO 33 W incl.

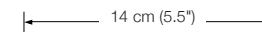
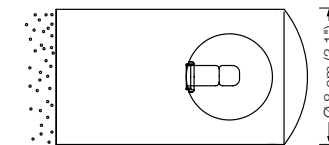
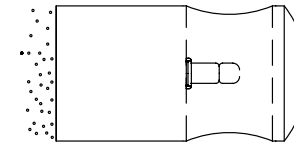
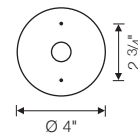
		€
CINA W – Ms	Solid brass polished, lacquered	620.–
CINA W – Mt	Solid brass matt brushed, lacquered	681.–
CINA W – Ni	Solid brass, nickel-plated	620.–
CINA W – Nm	Solid brass nickel-plated, matt brushed	681.–
CINA W – Cr	Solid brass, chrome-plated	681.–

Energy class: D

*This model will be sold with a class D bulb.*

Backplate Ø 12 cm (4.72") 68.–

Additional USA 110 V conversion kit 12.–  
 110 V bulbs not included



# WIN

wall lamp

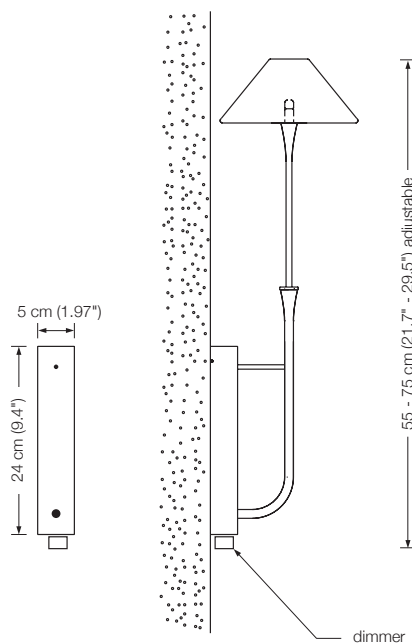
height: 55 - ca. 80 cm (21.7" - 31.5") adjustable  
shade: TEFLON white Ø 18 cm (7.1")  
lampholder: GY 6.35, max. 50 W / 12 V  
bulb: OSRAM HALOSTAR ECO 35 W (equal 50 W) incl.  
dimmer: built in

		€
WIN - Ms	Solid brass polished, lacquered	1043.-
WIN - Mt	Solid brass matt brushed, lacquered	1147.-
WIN - Ni	Solid brass, nickel-plated	1043.-
WIN - Nm	Solid brass nickel-plated, matt brushed	1147.-
WIN - Cr	Solid brass, chrome-plated	1147.-

Energy class: B

*This model will be sold with a class B bulb.*

Additional USA 110 V conversion kit: 12.-  
110 V bulbs not included





## VEA

wall lamp

width: 40 cm (15.7")  
 shade: glass white-opal  
 top glass diffuser  
 lampholder:: 2 x B15d, max. 2 x 150 W  
 bulb:: 2 x OSRAM HALOLUX CERAM ECO  
 100 W incl.

		€
VEA – Ms	Solid brass polished, lacquered	918.–
VEA – Mt	Solid brass matt brushed, lacquered	991.–
VEA – Ni	Solid brass, nickel-plated	918.–
VEA – Nm	Solid brass nickel-plated, matt brushed	991.–
VEA – Cr	Solid brass, chrome-plated	991.–

Energy class: D

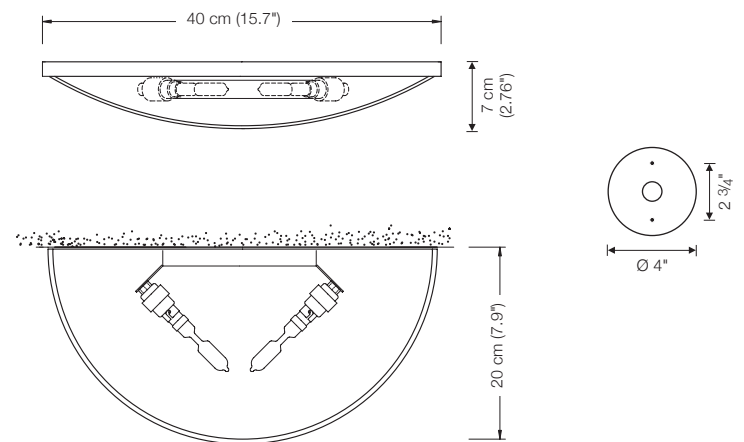
*This model will be sold with a class D bulb.*

4" junction box: not covered  
 Backplate Ø 12 cm (4.72")

68.–

Additional USA 110 V conversion kit

12.–





## VAO

wall lamp  
flexible and specially reinforced metal arm

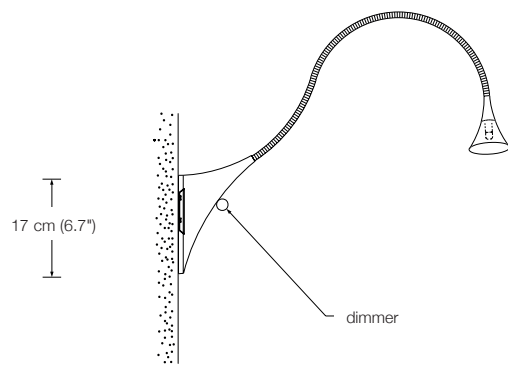
height: approx. 44 cm (17.3")  
shade: TEFLON white, Ø 7 cm (2.8")  
Fassung: GY6.35, max. 20 W / 12 V  
Leuchtmittel: OSRAM HALOSTAR IRC 20 W incl.  
dimmer: built in

		€
VAO – Ms	Solid brass polished, lacquered	750.–
VAO – Mt	Solid brass matt brushed, lacquered	824.–
VAO – Ni	Solid brass, nickel-plated	750.–
VAO – Nm	Solid brass nickel-plated, matt brushed	824.–
VAO – Cr	Solid brass, chrome-plated	824.–

Energy class: C

*This model will be sold with a class C bulb.*

4" junction box: covered  
Additional USA 110 V conversion kit 80.–





## EREA 55

ceiling lamp

height: standard 60 cm (23.6")  
or on request  
(min. 40 cm (15.7") to max. 200 cm (78.7"))

shade: glass white-opal Ø 55 cm (21.7")

lampholder: 6 x E14, max. 6 x 60 W

dimmer: possible via house installation or Casambi\*

		€
EREA 55 – Ms	Solid brass polished, lacquered	2007.–
EREA 55 – Mt	Solid brass matt brushed, lacquered	2147.–
EREA 55 – Ni	Solid brass, nickel-plated	2007.–
EREA 55 – Nm	Solid brass nickel-plated, matt brushed	2147.–
EREA 55 – Cr	Solid brass, chrome-plated	2147.–

Energy class: A++ to E  
(Depending on the used bulb.)

4" junction box: not covered 68.–

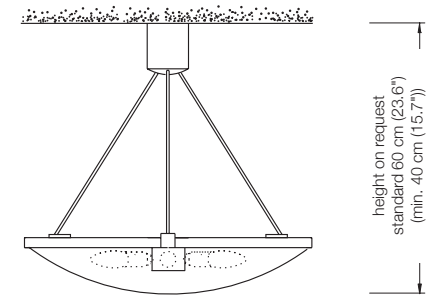
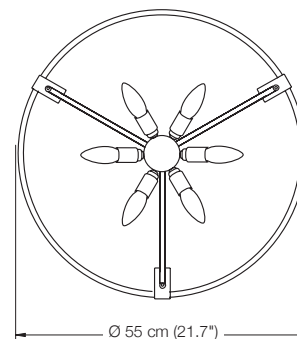
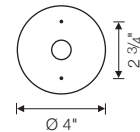
Backplate Ø 12 cm (4.72")

Additional 110 V conversion kit: 36.–

110 V bulbs not included

\* We recommend (without obligation) the following dimmer brands:

- GIRA 0307 00/102
- JUNG 1731 DD
- BERKER 2874
- FELLER 40300.RC
- BUSCH-JÄGER 6523U
- ARDITI 027505
- CASAMBI Dimmer 800598 / 800680
- KOPP 8033



## EREA 80

ceiling lamp  
height:

standard 100 cm (39.4")  
or on request  
(min. 60 cm (23.6") to max. 200 cm (78.7"))

shade:

glass white-opal Ø 80 cm (31.5")

lampholder:

6 x E27, max. 6 x 205 W

dimmer:

possible via house installation or Casambi\*

		€
EREA 80 – Ms	Solid brass polished, lacquered	2074.–
EREA 80 – Mt	Solid brass matt brushed, lacquered	2219.–
EREA 80 – Ni	Solid brass, nickel-plated	2074.–
EREA 80 – Nm	Solid brass nickel-plated, matt brushed	2219.–
EREA 80 – Cr	Solid brass, chrome-plated	2219.–

Energy class: A++ to E

(Depending on the used bulb.)

4" junction box: not covered

Backplate Ø 12 cm (4.72")

Additional 110 V conversion kit:

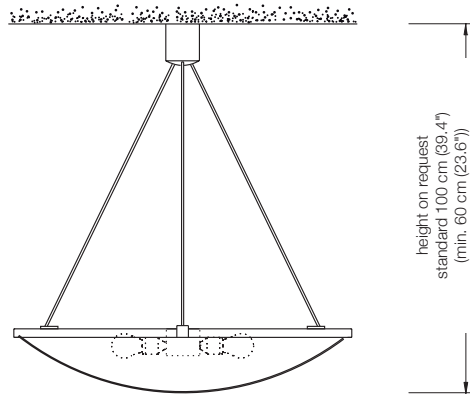
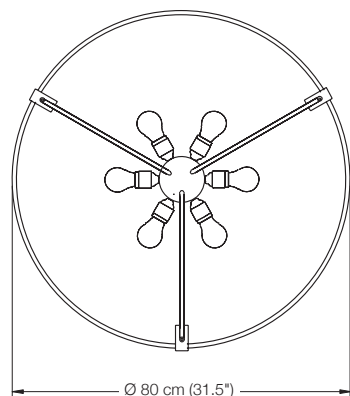
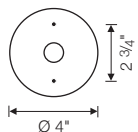
110 V bulbs not included

68.–

36.–

\* We recommend (without obligation) the following dimmer brands:

- GIRA 0307 00/102
- JUNG 1731 DD
- BERKER 2874
- FELLER 40300.RC
- BUSCH-JÄGER 6523U
- ARDITI 027505
- CASAMBI Dimmer 800598 / 800680
- KOPP 8033





## SOLA 80

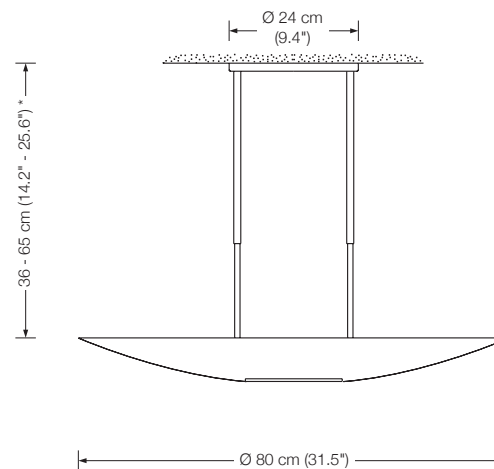
ceiling lamp  
 direct and indirect light  
 bottom glass diffuser  
 height: 36 - 65 cm (14.2" - 25.6") adjustable \*  
 shade: metal Ø 80 cm (31.5")  
 lampholder: R7s, max. 500 W  
 bulb: OSRAM HALOLINE ECO 400 W incl.  
 dimmer: possible via house installation

		€
SOLA 80 – Ms	Solid brass polished, lacquered	2918.-
SOLA 80 – Mt	Solid brass matt brushed, lacquered	3210.-
SOLA 80 – Ni	Solid brass, nickel-plated	2918.-
SOLA 80 – Nm	Solid brass nickel-plated, matt brushed	3210.-
SOLA 80 – Cr	Solid brass, chrome-plated	3210.-

Energy class: D  
*This model will be sold with a class D bulb.*

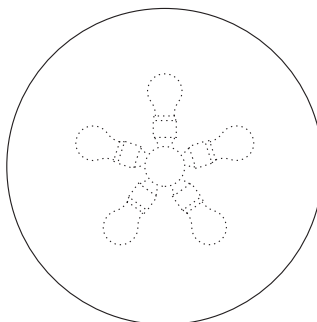
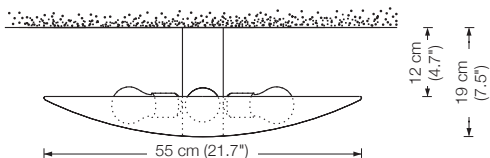
4" junction box: covered  
 Additional USA 110 V conversion kit 12.-  
 110 V bulbs not included

\* special length on request

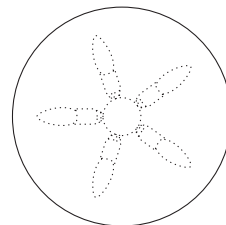
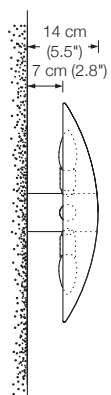


**SELA 55**ceiling lamp  
indirect lightingshade: metal Ø 55 cm (21.7")  
lampholder: 5 x E27, max. 5 x 100 W  
dimmer: possible via house installation or Casambi\*

SELA 55 – Ms	Solid brass polished, lacquered	882.–
SELA 55 – Mt	Solid brass matt brushed, lacquered	970.–
SELA 55 – Ni	Solid brass, nickel-plated	882.–
SELA 55 – Nm	Solid brass nickel-plated, matt brushed	970.–
SELA 55 – Cr	Solid brass, chrome-plated	970.–

By request: 5 x E27 LED-bulb (75 W) 60.–  
Please indicate with order.**SELA 40**ceiling lamp  
indirect lightingshade: metal Ø 40 cm (15.7")  
lampholder: 5 x E27, max. 5 x 100 W  
dimmer: possible via house installation or Casambi\*

SELA 40 – Ms	Solid brass polished, lacquered	788.–
SELA 40 – Mt	Solid brass matt brushed, lacquered	866.–
SELA 40 – Ni	Solid brass, nickel-plated	788.–
SELA 40 – Nm	Solid brass nickel-plated, matt brushed	866.–
SELA 40 – Cr	Solid brass, chrome-plated	866.–

By request: 5 x E14 LED-bulb (60 W) 55.–  
Please indicate with order.

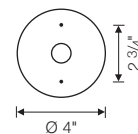
special length (distance to wall / ceiling) on request

Energy class: A++ to E

*(Depending on the used bulb.)*

\* We recommend (without obligation) the following dimmer brands:

- GIRA 0307 00/102
- JUNG 1731 DD
- BERKER 2874
- FELLER 40300.FC
- BUSCH-JÄGER 6523U
- ARDITI 027505
- CASAMBI Dimmer 800598 / 800680
- KOPP 8033

**SELA 40 / 55:**4" junction box: not covered  
Backplate Ø 12 cm (4.72")  
Additional 110 V conversion kit:  
110 V bulbs not included68.–  
12.–

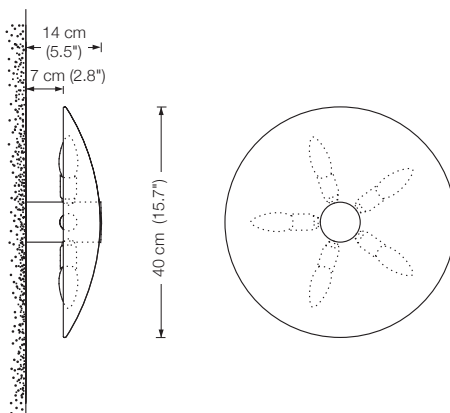
**GELA 40**  
 wall / ceiling lamp  
 shade: glass white-opal Ø 40 cm (15.7")  
 lampholder: 5 x E14, max. 5 x 60 W  
 dimmer: possible via house installation or Casambi\*

<b>GELA 40 – Ms</b>	Solid brass polished, lacquered	€ 647.–
<b>GELA 40 – Mt</b>	Solid brass matt brushed, lacquered	€ 679.–
<b>GELA 40 – Ni</b>	Solid brass, nickel-plated	€ 647.–
<b>GELA 40 – Nm</b>	Solid brass nickel-plated, matt brushed	€ 679.–
<b>GELA 40 – Cr</b>	Solid brass, chrome-plated	€ 679.–

By request: 5 x E14 LED-bulb (60 W) € 55.–  
 Please indicate with order.

special length (distance to wall / ceiling) on request

Energy class: A++ to E  
 (Depending on the used bulb.)



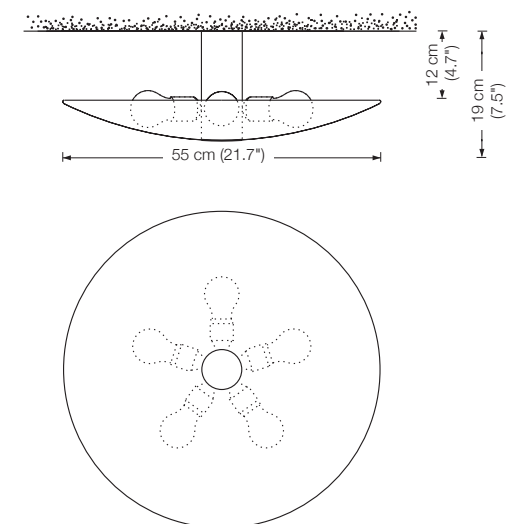
**GELA 55**  
 ceiling lamp  
 shade: glass white-opal Ø 55 cm (21.7")  
 lampholder: 5 x E27, max. 5 x 100 W  
 dimmer: possible via house installation or Casambi\*

<b>GELA 55 – Ms</b>	Solid brass polished, lacquered	€ 671.–
<b>GELA 55 – Mt</b>	Solid brass matt brushed, lacquered	€ 705.–
<b>GELA 55 – Ni</b>	Solid brass, nickel-plated	€ 671.–
<b>GELA 55 – Nm</b>	Solid brass nickel-plated, matt brushed	€ 705.–
<b>GELA 55 – Cr</b>	Solid brass, chrome-plated	€ 705.–

By request: 5 x E27 LED-bulb (75 W) € 60.–  
 Please indicate with order.

special length (distance to ceiling) on request

Energy class: A++ to E  
 (Depending on the used bulb.)



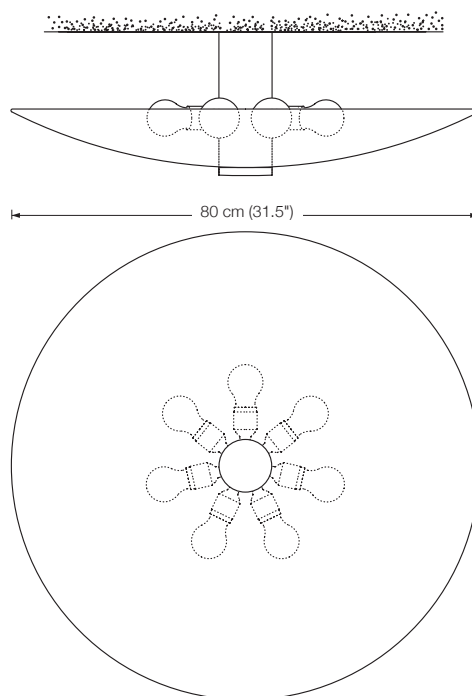
**GELA 80**  
 ceiling lamp  
 shade: glass white-opal Ø 80 cm (31.5")  
 lampholder: 7 x E27, max. 7 x 100 W  
 dimmer: possible via house installation or Casambi\*

<b>GELA 80 – Ms</b>	Solid brass polished, lacquered	€ 1385.–
<b>GELA 80 – Mt</b>	Solid brass matt brushed, lacquered	€ 1454.–
<b>GELA 80 – Ni</b>	Solid brass, nickel-plated	€ 1385.–
<b>GELA 80 – Nm</b>	Solid brass nickel-plated, matt brushed	€ 1454.–
<b>GELA 80 – Cr</b>	Solid brass, chrome-plated	€ 1454.–

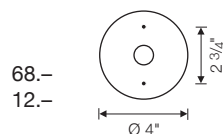
By request: 7 x E27 LED-bulb (75 W) € 84.–  
 Please indicate with order.

special length (distance to ceiling) on request

Energy class: A++ to E  
 (Depending on the used bulb.)



**GELA 40 / 55 / 80:**  
 4" junction box: not covered  
 Backplate Ø 12 cm (4.72")  
 Additional 110 V conversion kit:  
 110 V bulbs not included



\* We recommend (without obligation) the following dimmer brands:

- GIRA 0307 00/102
- JUNG 1731 DD
- BERKER 2874
- FELLER 40300.RC
- BUSCH-JÄGER 6523U
- ARDITI 027505
- CASAMBI Dimmer 800598 / 800680
- KOPP 8033





## OLA 25

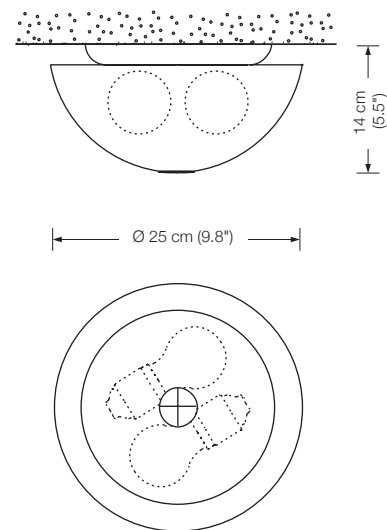
ceiling lamp

height: 14 cm (5.5")  
 shade: glass white-opal, Ø 25 cm (9.8")  
 lampholder: 2 x E27, max. 2 x 100 W  
 bulb: 2 x OS E27 Parathom, dimmable  
 à 1080 Lumen, 2700° K, 11 W ≙ 75 W incl.  
 dimmer: possible via house installation

		€
OLA 25 – Ms	Solid brass polished, lacquered	435.–
OLA 25 – Mt	Solid brass matt brushed, lacquered	457.–
OLA 25 – Ni	Solid brass, nickel-plated	435.–
OLA 25 – Nm	Solid brass nickel-plated, matt brushed	457.–
OLA 25 – Cr	Solid brass, chrome-plated	457.–

Energy class: A++ to E  
 (Depending on the used bulb.)  
 This model will be sold with a class A+ bulb.

4" junction box: covered  
 Additional USA 110 V conversion kit  
 110 V bulbs not included 18.–





**OLA 36**

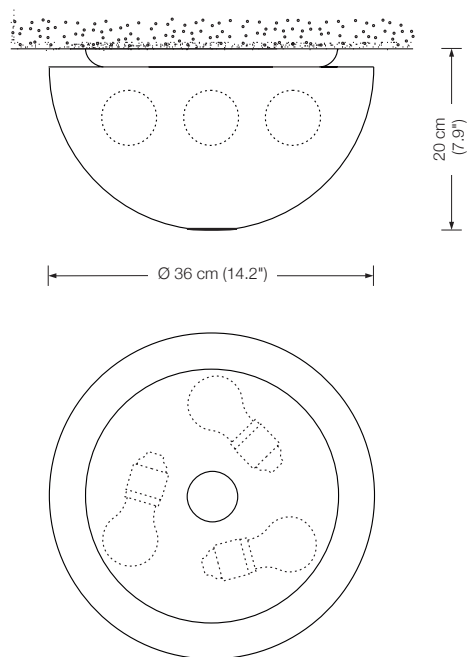
ceiling lamp

height: 20 cm (7.9")  
 shade: glass white-opal, Ø 36 cm (14.2")  
 lampholder: 3 x E27, max. 3 x 100 W  
 bulb: 3 x OS E27 Parathom, dimmable  
 à 1080 Lumen, 2700° K, 11 W ≙ 75 W incl.  
 dimmer: possible via house installation

		€
OLA 36 – Ms	Solid brass polished, lacquered	508.–
OLA 36 – Mt	Solid brass matt brushed, lacquered	533.–
OLA 36 – Ni	Solid brass, nickel-plated	508.–
OLA 36 – Nm	Solid brass nickel-plated, matt brushed	533.–
OLA 36 – Cr	Solid brass, chrome-plated	533.–

Energy class: A++ to E  
 (Depending on the used bulb.)  
 This model will be sold with a class A+ bulb.  
 4" junction box: covered

4" junction box: covered  
 Additional USA 110 V conversion kit 24.–  
 110 V bulbs not included



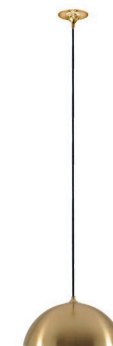


#### DUOS 36 P – pendant

Pendant lamp  
 shade: metal Ø 36 cm (14.2")  
 lampholder: E27, max. 100 W

DUOS 36 P – Ms	Solid brass polished, lacquered	€ 840.–
DUOS 36 P – Mt	Solid brass matt brushed, lacquered	924.–
DUOS 36 P – Ni	Solid brass, nickel-plated	840.–
DUOS 36 P – Nm	Solid brass nickel-plated, matt brushed	924.–
DUOS 36 P – Cr	Solid brass, chrome-plated	924.–

4" junction box: covered  
 Additional USA 110 V conversion kit 12.–  
 110 V bulbs not included



#### DUOS 36 M – center pull

Adjustable pendant lamp  
 shade: metal Ø 36 cm (14.2")  
 lampholder: E27, max. 100 W

DUOS 36 M – Ms	Solid brass polished, lacquered	€ 1132.–
DUOS 36 M – Mt	Solid brass matt brushed, lacquered	1245.–
DUOS 36 M – Ni	Solid brass, nickel-plated	1132.–
DUOS 36 M – Nm	Solid brass nickel-plated, matt brushed	1245.–
DUOS 36 M – Cr	Solid brass, chrome-plated	1245.–

4" junction box: covered by US canopy Ø 12 cm (4.7") 152.–  
 Additional USA 110 V conversion kit: 12.–  
 110 V bulbs not included



#### DUOS 36 S – side pull

Adjustable pendant lamp  
 shade: metal Ø 36 cm (14.2")  
 lampholder: E27, max. 100 W

DUOS 36 S – Ms	Solid brass polished, lacquered	€ 1050.–
DUOS 36 S – Mt	Solid brass matt brushed, lacquered	1155.–
DUOS 36 S – Ni	Solid brass, nickel-plated	1050.–
DUOS 36 S – Nm	Solid brass nickel-plated, matt brushed	1155.–
DUOS 36 S – Cr	Solid brass, chrome-plated	1155.–

4" junction box: covered by US canopy Ø 12 cm (4.7") 84.–  
 Additional USA 110 V conversion kit: 12.–  
 110 V bulbs not included



**DUOS 36 R – straight pull ceiling mounted**

Adjustable pendant lamp

shade: metal Ø 36 cm (14.2")

lampholder: E27, max. 100 W

DUOS 36 R – Ms	Solid brass polished, lacquered	€ 1258.–
DUOS 36 R – Mt	Solid brass matt brushed, lacquered	€ 1384.–
DUOS 36 R – Ni	Solid brass, nickel-plated	€ 1258.–
DUOS 36 R – Nm	Solid brass nickel-plated, matt brushed	€ 1384.–
DUOS 36 R – Cr	Solid brass, chrome-plated	€ 1384.–

4" junction box: not necessary

Additional USA 110 V conversion kit

110 V bulbs not included

€ 12.–



**DUOS 36 D – double pull**

Adjustable pendant lamp

shade: metal Ø 36 cm (14.2")

lampholder: 2 x E27, max. 2 x 100 W

DUOS 36 D – Ms	Solid brass polished, lacquered	€ 2100.–
DUOS 36 D – Mt	Solid brass matt brushed, lacquered	€ 2310.–
DUOS 36 D – Ni	Solid brass, nickel-plated	€ 2100.–
DUOS 36 D – Nm	Solid brass nickel-plated, matt brushed	€ 2310.–
DUOS 36 D – Cr	Solid brass, chrome-plated	€ 2310.–

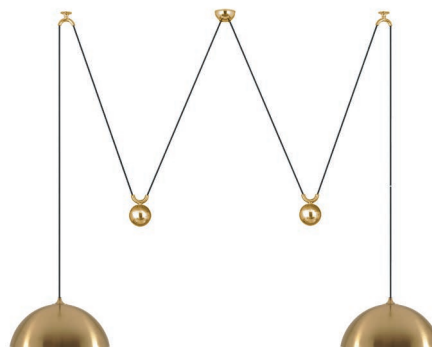
4" junction box: covered by US canopy Ø 12 cm (4.7")

Additional USA 110 V conversion kit:

110 V bulbs not included

€ 88.–

€ 12.–



Energy class: A++ to E

(Depending on the used bulb.)

Textile cable black. On request: brown, gold, silver.





#### POSA 36 P – pendant

Pendant lamp

shade: glass white-opal, Ø 36 cm (14.2")

lampholder: E27, max. 100 W

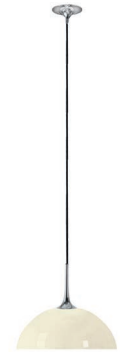
		€
POSA 36 P – Ms	Solid brass polished, lacquered	525.–
POSA 36 P – Mt	Solid brass matt brushed, lacquered	551.–
POSA 36 P – Ni	Solid brass, nickel-plated	525.–
POSA 36 P – Nm	Solid brass nickel-plated, matt brushed	551.–
POSA 36 P – Cr	Solid brass, chrome-plated	551.–

4" junction box: covered

Additional USA 110 V conversion kit

110 V bulbs not included

12.–



#### POSA 36 M – center pull

Adjustable pendant lamp

shade: glass white-opal, Ø 36 cm (14.2")

lampholder: E27, max. 100 W

		€
POSA 36 M – Ms	Solid brass polished, lacquered	810.–
POSA 36 M – Mt	Solid brass matt brushed, lacquered	851.–
POSA 36 M – Ni	Solid brass, nickel-plated	810.–
POSA 36 M – Nm	Solid brass nickel-plated, matt brushed	851.–
POSA 36 M – Cr	Solid brass, chrome-plated	851.–

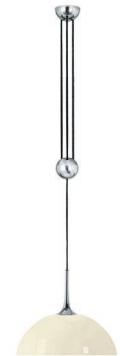
4" junction box: covered by US canopy Ø 12 cm (4.7")

Additional USA 110 V conversion kit:

110 V bulbs not included

152.–

12.–



#### POSA 36 S – side pull

Adjustable pendant lamp

shade: glass white-opal, Ø 36 cm (14.2")

lampholder: E27, max. 100 W

		€
POSA 36 S – Ms	Solid brass polished, lacquered	810.–
POSA 36 S – Mt	Solid brass matt brushed, lacquered	851.–
POSA 36 S – Ni	Solid brass, nickel-plated	810.–
POSA 36 S – Nm	Solid brass nickel-plated, matt brushed	851.–
POSA 36 S – Cr	Solid brass, chrome-plated	851.–

4" junction box: covered by US canopy Ø 12 cm (4.7")

Additional USA 110 V conversion kit:

110 V bulbs not included

84.–

12.–



**POSA 36 R – straight pull ceiling mounted**

Adjustable pendant lamp

shade: glass white-opal, Ø 36 cm (14.2")

lampholder: E27, max. 100 W

POSA 36 R – Ms	Solid brass polished, lacquered	€ 912.–
POSA 36 R – Mt	Solid brass matt brushed, lacquered	€ 958.–
POSA 36 R – Ni	Solid brass, nickel-plated	€ 912.–
POSA 36 R – Nm	Solid brass nickel-plated, matt brushed	€ 958.–
POSA 36 R – Cr	Solid brass, chrome-plated	€ 958.–

4" junction box: not necessary

Additional USA 110 V conversion kit

110 V bulbs not included

€ 12.–



**POSA 36 D – double pull**

Adjustable pendant lamp

shade: glass white-opal, Ø 36 cm (14.2")

lampholder: 2 x E27, max. 2 x 100 W

POSA 36 D – Ms	Solid brass polished, lacquered	€ 1421.–
POSA 36 D – Mt	Solid brass matt brushed, lacquered	€ 1491.–
POSA 36 D – Ni	Solid brass, nickel-plated	€ 1421.–
POSA 36 D – Nm	Solid brass nickel-plated, matt brushed	€ 1491.–
POSA 36 D – Cr	Solid brass, chrome-plated	€ 1491.–

4" junction box: covered by US canopy Ø 12 cm (4.7")

Additional USA 110 V conversion kit:

110 V bulbs not included

€ 88.–

€ 12.–



Energy class: A++ to E

(Depending on the used bulb.)

Textile cable black. On request: brown, gold, silver.





#### ONOS 55 P – pendant

Pendant lamp

shade: metal Ø 55 cm (21.7")  
metal light diffuser

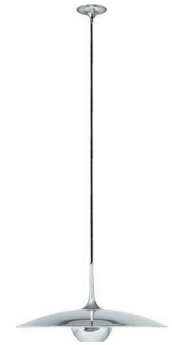
lampholder: E27, max. 100 W

		€
ONOS 55 P – Ms	Solid brass polished, lacquered	1134.–
ONOS 55 P – Mt	Solid brass matt brushed, lacquered	1247.–
ONOS 55 P – Ni	Solid brass, nickel-plated	1134.–
ONOS 55 P – Nm	Solid brass nickel-plated, matt brushed	1247.–
ONOS 55 P – Cr	Solid brass, chrome-plated	1247.–

4" junction box: covered

Additional USA 110 V conversion kit 12.–

110 V bulbs not included



#### ONOS 55 M – center pull

Adjustable pendant lamp

shade: metal Ø 55 cm (21.7")  
metal light diffuser

lampholder: E27, max. 100 W

		€
ONOS 55 M – Ms	Solid brass polished, lacquered	1397.–
ONOS 55 M – Mt	Solid brass matt brushed, lacquered	1536.–
ONOS 55 M – Ni	Solid brass, nickel-plated	1397.–
ONOS 55 M – Nm	Solid brass nickel-plated, matt brushed	1536.–
ONOS 55 M – Cr	Solid brass, chrome-plated	1536.–

4" junction box: covered by US canopy Ø 12 cm (4.7")

Additional USA 110 V conversion kit: 12.–

110 V bulbs not included



#### ONOS 55 S – side pull

Adjustable pendant lamp

shade: metal Ø 55 cm (21.7")  
metal light diffuser

lampholder: E27, max. 100 W

		€
ONOS 55 S – Ms	Solid brass polished, lacquered	1397.–
ONOS 55 S – Mt	Solid brass matt brushed, lacquered	1536.–
ONOS 55 S – Ni	Solid brass, nickel-plated	1397.–
ONOS 55 S – Nm	Solid brass nickel-plated, matt brushed	1536.–
ONOS 55 S – Cr	Solid brass, chrome-plated	1536.–

4" junction box: covered by US canopy Ø 12 cm (4.7")

Additional USA 110 V conversion kit: 84.–

110 V bulbs not included



**ONOS 55 R – straight pull ceiling mounted**

Adjustable pendant lamp

shade: metal Ø 55 cm (21.7")  
metal light diffuser  
lampholder: E27, max. 100 W

ONOS 55 R – Ms	Solid brass polished, lacquered	€ 1575.–
ONOS 55 R – Mt	Solid brass matt brushed, lacquered	1733.–
ONOS 55 R – Ni	Solid brass, nickel-plated	1575.–
ONOS 55 R – Nm	Solid brass nickel-plated, matt brushed	1733.–
ONOS 55 R – Cr	Solid brass, chrome-plated	1733.–

4" junction box: not necessary  
Additional USA 110 V conversion kit: 12.–  
110 V bulbs not included



**ONOS 55 D – double pull**

Adjustable pendant lamp

shade: metal Ø 55 cm (21.7")  
metal light diffuser  
lampholder: 2 x E27, max. 2 x 100 W

ONOS 55 D – Ms	Solid brass polished, lacquered	€ 2562.–
ONOS 55 D – Mt	Solid brass matt brushed, lacquered	2818.–
ONOS 55 D – Ni	Solid brass, nickel-plated	2562.–
ONOS 55 D – Nm	Solid brass nickel-plated, matt brushed	2818.–
ONOS 55 D – Cr	Solid brass, chrome-plated	2818.–

4" junction box: covered by US canopy Ø 12 cm (4.7") 88.–  
Additional USA 110 V conversion kit: 12.–  
110 V bulbs not included



Energy class: A++ to E  
(Depending on the used bulb.)

Textile cable black. On request: brown, gold, silver.





#### ONOS 40 P – pendant

Pendant lamp

shade: metal Ø 40 cm (15.7")  
metal light diffuser

lampholder: E27, max. 100 W

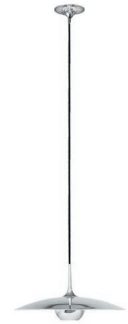
		€
ONOS 40 P – Ms	Solid brass polished, lacquered	924.–
ONOS 40 P – Mt	Solid brass matt brushed, lacquered	1016.–
ONOS 40 P – Ni	Solid brass, nickel-plated	924.–
ONOS 40 P – Nm	Solid brass nickel-plated, matt brushed	1016.–
ONOS 40 P – Cr	Solid brass, chrome-plated	1016.–

4" junction box: covered

Additional USA 110 V conversion kit

12.–

110 V bulbs not included



#### ONOS 40 M – center pull

Adjustable pendant lamp

shade: metal Ø 40 cm (15.7")  
metal light diffuser

lampholder: E27, max. 100 W

		€
ONOS 40 M – Ms	Solid brass polished, lacquered	1239.–
ONOS 40 M – Mt	Solid brass matt brushed, lacquered	1363.–
ONOS 40 M – Ni	Solid brass, nickel-plated	1239.–
ONOS 40 M – Nm	Solid brass nickel-plated, matt brushed	1363.–
ONOS 40 M – Cr	Solid brass, chrome-plated	1363.–

4" junction box: covered by US canopy Ø 12 cm (4.7")

152.–

Additional USA 110 V conversion kit:

12.–

110 V bulbs not included



#### ONOS 40 S – side pull

Adjustable pendant lamp

shade: metal Ø 40 cm (15.7")  
metal light diffuser

lampholder: E27, max. 100 W

		€
ONOS 40 S – Ms	Solid brass polished, lacquered	1239.–
ONOS 40 S – Mt	Solid brass matt brushed, lacquered	1363.–
ONOS 40 S – Ni	Solid brass, nickel-plated	1239.–
ONOS 40 S – Nm	Solid brass nickel-plated, matt brushed	1363.–
ONOS 40 S – Cr	Solid brass, chrome-plated	1363.–

4" junction box: covered by US canopy Ø 12 cm (4.7")

84.–

Additional USA 110 V conversion kit:

12.–

110 V bulbs not included





**ONOS 40 R – straight pull ceiling mounted**

Adjustable pendant lamp

shade: metal Ø 40 cm (15.7")  
metal light diffuser  
lampholder: E27, max. 100 W

ONOS 40 R – Ms	Solid brass polished, lacquered	€ 1418.–
ONOS 40 R – Mt	Solid brass matt brushed, lacquered	€ 1559.–
ONOS 40 R – Ni	Solid brass, nickel-plated	€ 1418.–
ONOS 40 R – Nm	Solid brass nickel-plated, matt brushed	€ 1559.–
ONOS 40 R – Cr	Solid brass, chrome-plated	€ 1559.–

4" junction box: not necessary  
Additional USA 110 V conversion kit: 12.–  
110 V bulbs not included



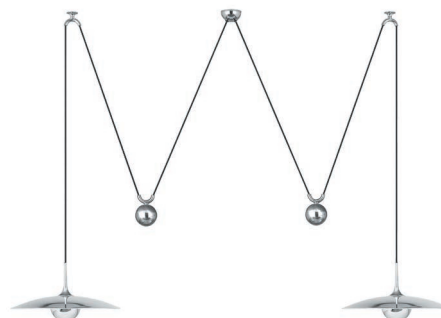
**ONOS 40 D – double pull**

Adjustable pendant lamp

shade: metal Ø 40 cm (15.7")  
metal light diffuser  
lampholder: 2 x E27, max. 2 x 100 W

ONOS 40 D – Ms	Solid brass polished, lacquered	€ 2310.–
ONOS 40 D – Mt	Solid brass matt brushed, lacquered	€ 2541.–
ONOS 40 D – Ni	Solid brass, nickel-plated	€ 2310.–
ONOS 40 D – Nm	Solid brass nickel-plated, matt brushed	€ 2541.–
ONOS 40 D – Cr	Solid brass, chrome-plated	€ 2541.–

4" junction box: covered by US canopy Ø 12 cm (4.7") 88.–  
Additional USA 110 V conversion kit: 12.–  
110 V bulbs not included



Energy class: A++ to E  
(Depending on the used bulb.)

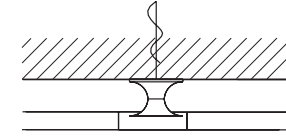
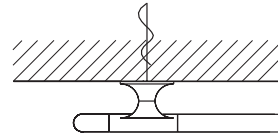
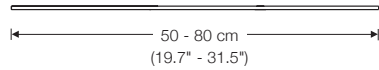
Textile cable black. On request: brown, gold, silver.



## Ceiling guiding system for pendant lamps DESY

With the elements of this system ceiling guides for pendant lamp groups are combinable.

A simple rehanging of the shades allows an illumination even of temporary table combinations (e.g. long table, around the corner etc).



### DESY-ST

rod max. 80 cm (31.5")

		€
Ms	Solid brass polished, lacquered	48.-
Mt	Solid brass matt brushed, lacquered	54.-
Ni	Solid brass, nickel-plated	48.-
Nm	Solid brass nickel-plated, matt brushed	54.-
Cr	Solid brass, chrome-plated	54.-

### DESY-E

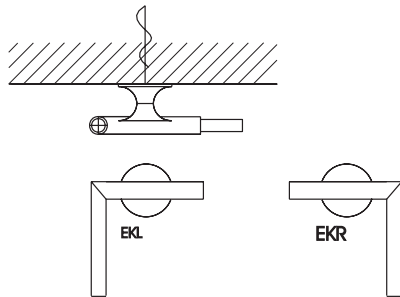
end piece

		€
Ms	Solid brass polished, lacquered	91.-
Mt	Solid brass matt brushed, lacquered	101.-
Ni	Solid brass, nickel-plated	91.-
Nm	Solid brass nickel-plated, matt brushed	101.-
Cr	Solid brass, chrome-plated	101.-

### DESY-M

center piece

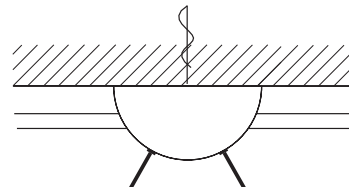
		€
Ms	Solid brass polished, lacquered	64.-
Mt	Solid brass matt brushed, lacquered	70.-
Ni	Solid brass, nickel-plated	64.-
Nm	Solid brass nickel-plated, matt brushed	70.-
Cr	Solid brass, chrome-plated	70.-



DESY-Ekl corner piece left side (standard)

DESY-Ekr corner piece right side

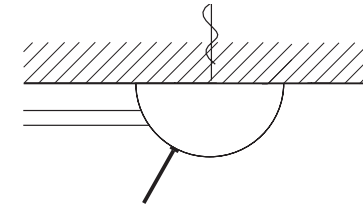
		€
Ms	Solid brass polished, lacquered	127.-
Mt	Solid brass matt brushed, lacquered	140.-
Ni	Solid brass, nickel-plated	127.-
Nm	Solid brass nickel-plated, matt brushed	140.-
Cr	Solid brass, chrome-plated	140.-



### DESY-D

canopy for center cable outlet

		€
Ms	Solid brass polished, lacquered	141.-
Mt	Solid brass matt brushed, lacquered	154.-
Ni	Solid brass, nickel-plated	141.-
Nm	Solid brass nickel-plated, matt brushed	154.-
Cr	Solid brass, chrome-plated	154.-

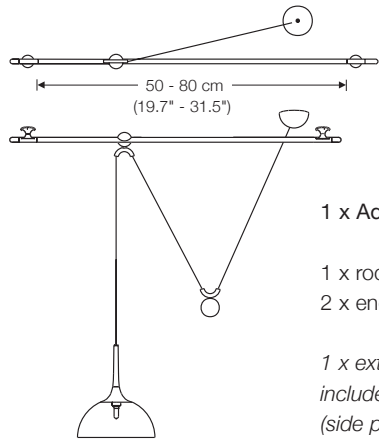


### DESY-S

canopy for end cable outlet

		€
Ms	Solid brass polished, lacquered	134.-
Mt	Solid brass matt brushed, lacquered	148.-
Ni	Solid brass, nickel-plated	134.-
Nm	Solid brass nickel-plated, matt brushed	148.-
Cr	Solid brass, chrome-plated	148.-

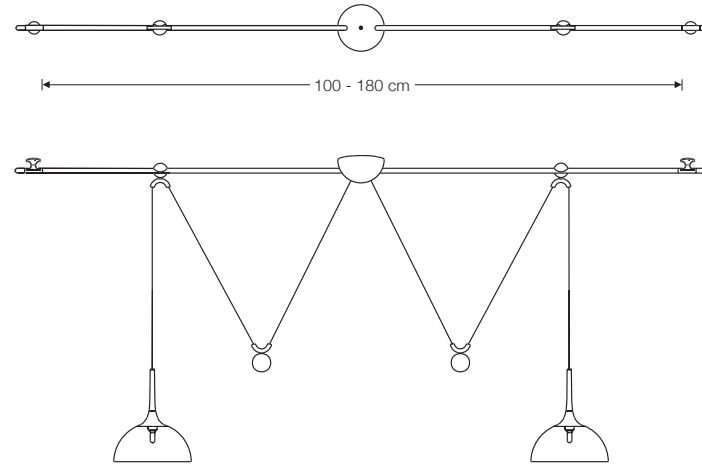
# DESY Example



1 x Adjustable pendant lamp – S (side pull)

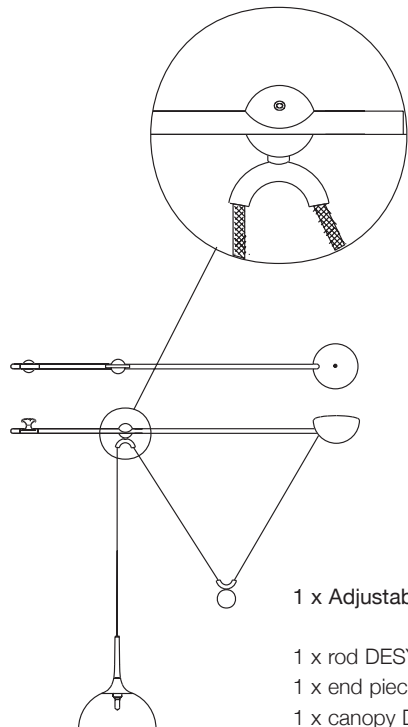
1 x rod DESY-ST  
2 x end pieces DESY-E

1 x external canopy  
included in Adjustable pendant lamp – S  
(side pull).



1 x Adjustable pendant lamp – D  
(double pull)

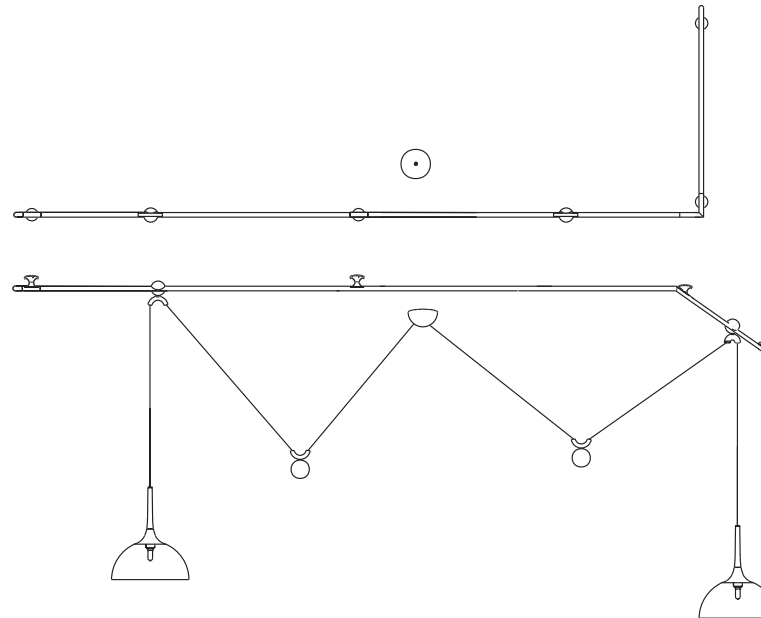
2 x rods DESY-ST  
2 x end pieces DESY-E  
1 x canopy DESY-D



This upper  
cable guide is a  
lockable hook.

1 x Adjustable pendant lamp – S (side pull)

1 x rod DESY-ST  
1 x end piece DESY-E  
1 x canopy DESY-S



1 x Adjustable pendant lamp – D  
(double pull)

3 x rods DESY-ST  
2 x end pieces DESY-E  
1 x center piece DESY-M  
1 x corner piece DESY-EK

1 x external canopy  
included in Adjustable pendant lamp – D  
(double pull)



### P80-1

pendant lamp, height adjustable

height: from 65 cm (25.6") – 135 cm (53.15") (standard)\*  
 canopy: Ø 6 cm (2.36")  
 shade: Ø 8 cm (3.15")  
 illuminant: LED (20 Watt) incl., 6000 Lumen  
 color temperature: Dim-to-Warm from 3100° – 1850 °K  
 colour rendering: > 90 Ra  
 dimmer: possible via house installation\*\*

		€
P80-1 – Ms	Solid brass polished, lacquered	664.–
P80-1 – Mt	Solid brass matt brushed, lacquered	730.–
P80-1 – Ni	Solid brass, nickel-plated	664.–
P80-1 – Nm	Solid brass nickel-plated, matt brushed	730.–
P80-1 – Cr	Solid brass, chrome-plated	730.–

### P80-3

triple pendant lamp, individually height-adjustable

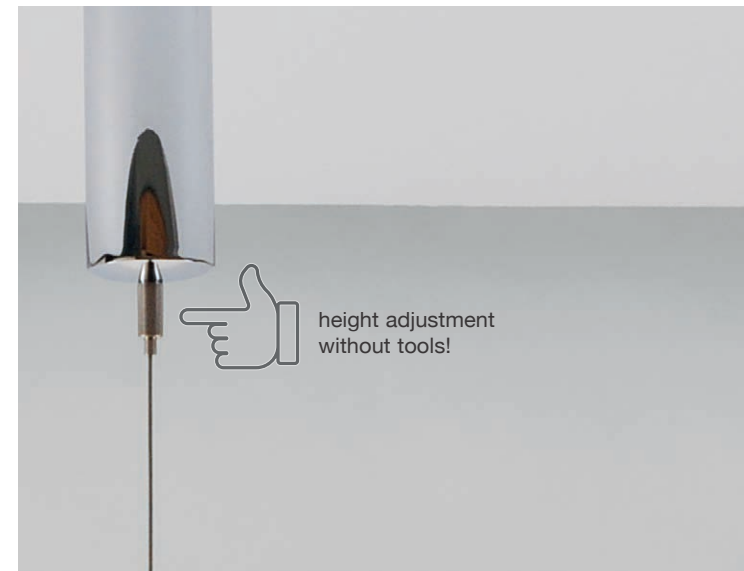
height: 3 x from 65 cm (25.6") – 135 cm (53.15") (standard)\*  
 canopy: 132 cm (51.97") long, 8 cm (3.15") wide, 4 cm (1.57") high  
 shade: 3 x Ø 8 cm (3.15")  
 illuminant: 3 x LED (3 x 20 Watt) incl., 6000 Lumen  
 color temperature: Dim-to-Warm from 3100° – 1850 °K  
 colour rendering: > 90 Ra  
 dimmer: possible via house installation\*\*

		€
P80-3 – Ms	Solid brass polished, lacquered	1672.–
P80-3 – Mt	Solid brass matt brushed, lacquered	1838.–
P80-3 – Ni	Solid brass, nickel-plated	1672.–
P80-3 – Nm	Solid brass nickel-plated, matt brushed	1838.–
P80-3 – Cr	Solid brass, chrome-plated	1838.–

Energy class: A++ to A

\*other suspension heights on request

\*\* e.g. JUNG 1224 LED UDE







### PEN 100

pendant lamp, height adjustable

both light elements can be rotated (360°)

length: 100 cm (39.4")

canopy: 15 x 15 x 5 cm (5.9" x 5.9" x 2.0")

height: 80 to 140 cm (31.5" to 55.1") adjustable (standard)\*

illuminant: 2 x LED-Line 150 (approx. 12 watts in total) incl.

exchangeable

approx. 1200 Lumen

color temperature: warmwhite 2700 K

colour rendering: > 90 Ra

dimmer: possible via house installation or Casambi\*\*

		€
PEN 100 – Ms	Solid brass polished, lacquered	1344.–
PEN 100 – Mt	Solid brass matt brushed, lacquered	1449.–
PEN 100 – Ni	Solid brass, nickel-plated	1344.–
PEN 100 – Nm	Solid brass nickel-plated, matt brushed	1449.–
PEN 100 – Cr	Solid brass, chrome-plated	1449.–

Energy class: A++ to A

4" junction box: covered

Additional USA 110 V conversion kit: 40.–

\* The following suspensions on request (without surcharge):

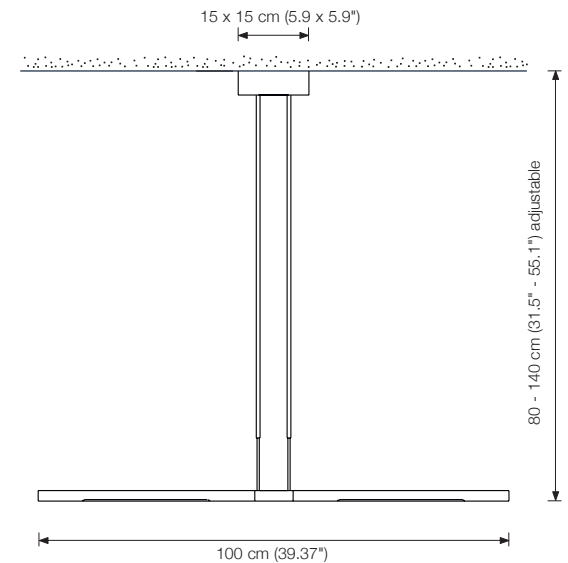
Overall height 105 – 200 cm (41.3" – 78.7")

Overall height 130 – 250 cm (51.2" – 98.4")

Other pendulum lengths possible on request (with additional charge of 280.–)

\*\* We recommend (without obligation) the following dimmer brands:

- GIRA 0307 00/102
- JUNG 1731 DD
- BERKER 2874
- FELLER 40300.RC
- BUSCH-JÄGER 6523U
- ARDITI 027505
- CASAMBI Dimmer 800598 / 800680
- KOPP 8033



## PEN 121

pendant lamp, height adjustable

outer light elements can be rotated (360°)

length: 121 cm (47.6")

canopy: 46,5 x 5 x 5 cm (18.3" x 2.0" x 2.0")

height: 80 to 140 cm (31.5" to 55.1") adjustable (standard)\*

bulb: 3 x LED-Line 150 (approx. 24 watts in total) incl.

exchangeable

approx. 2200 Lumen

color temperature: warmwhite 2700 K

colour rendering: > 90 Ra

dimmer: possible via house installation or Casambi\*\*

		€
PEN 121 – Ms	Solid brass polished, lacquered	1659.–
PEN 121 – Mt	Solid brass matt brushed, lacquered	1817.–
PEN 121 – Ni	Solid brass, nickel-plated	1659.–
PEN 121 – Nm	Solid brass nickel-plated, matt brushed	1817.–
PEN 121 – Cr	Solid brass, chrome-plated	1817.–

Energy class: A++ to A

4" junction box: not covered

Additional USA 110 V conversion kit: 120.–  
including a rectangular backplate of  
51 x 12 cm (20.1" x 4.7")

\* The following suspensions on request (without surcharge):

Overall height 105 – 200 cm (41.3" – 78.7")

Overall height 130 – 250 cm (51.2" – 98.4")

Other pendulum lengths possible on request (with additional charge of 280.–)

\*\* We recommend (without obligation) the following dimmer brands:

– GIRA 0307 00/102

– JUNG 1731 DD

– BERKER 2874

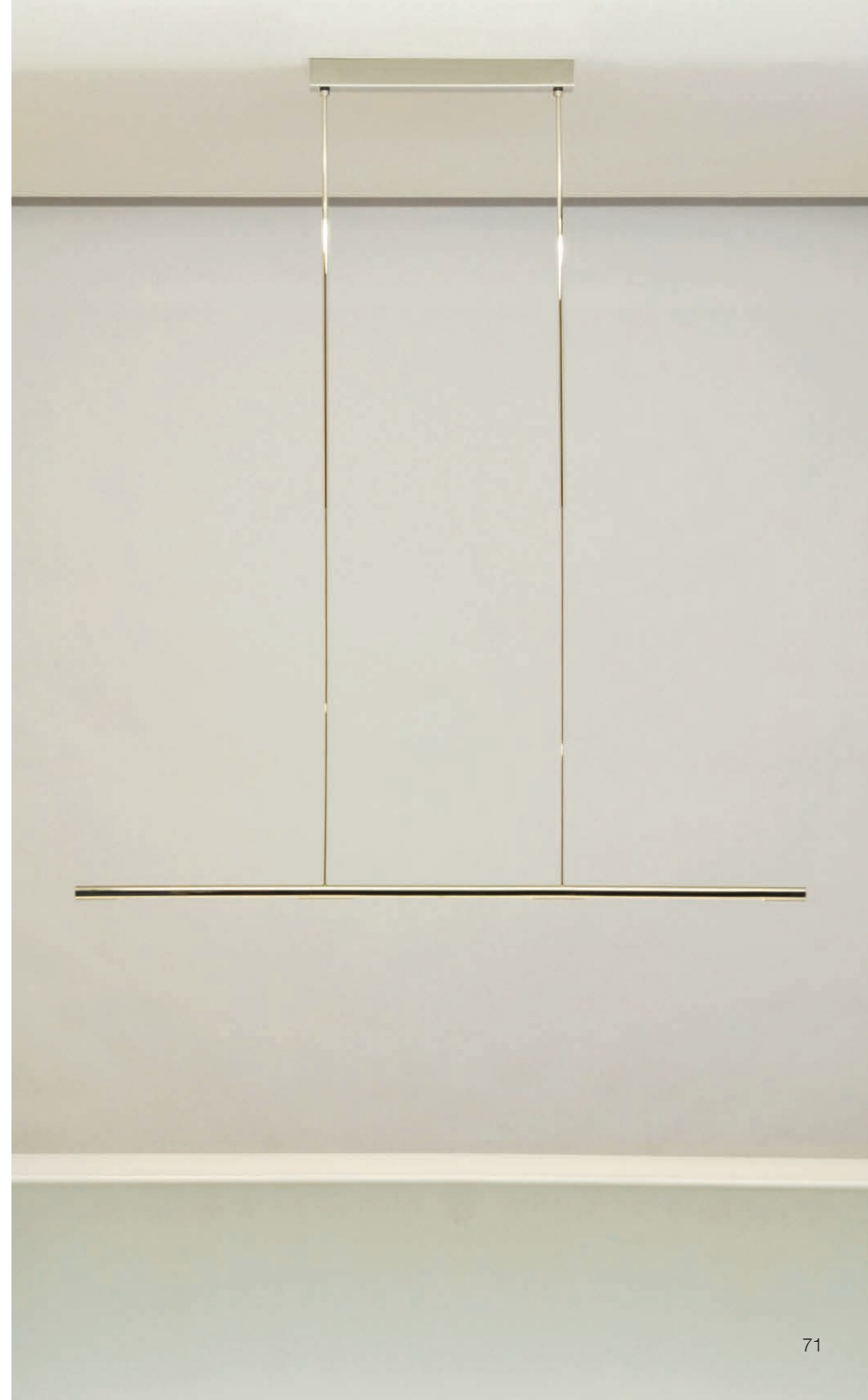
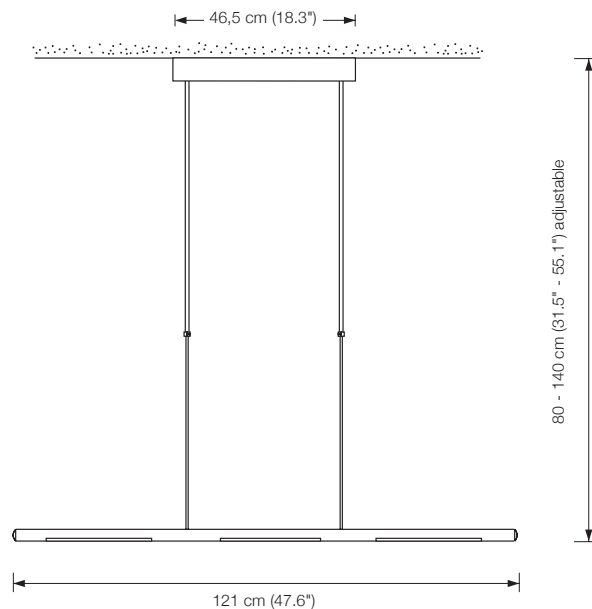
– FELLER 40300.FC

– BUSCH-JÄGER 6523U

– ARDITI 027505

– CASAMBI Dimmer 800598 / 800680

– KOPP 8033





### PEN 142

pendant lamp, height adjustable

all light elements can be rotated (360°)

length: 142 cm (55.9")

canopy: 53 x 5 x 5 cm (20.9" x 2.0" x 2.0")

height: 80 to 140 cm (31.5" to 55.1") adjustable (standard)\*

bulb: 3 x LED-Line 150 (approx. 24 watts in total) incl.

exchangeable

approx. 2200 Lumen

color temperature: warmwhite 2700 K

colour rendering: > 90 Ra

dimmer: possible via house installation or Casambi\*\*

		€
PEN 142 – Ms	Solid brass polished, lacquered	1659.–
PEN 142 – Mt	Solid brass matt brushed, lacquered	1817.–
PEN 142 – Ni	Solid brass, nickel-plated	1659.–
PEN 142 – Nm	Solid brass nickel-plated, matt brushed	1817.–
PEN 142 – Cr	Solid brass, chrome-plated	1817.–

Energy class: A++ to A

4" junction box: not covered

Additional USA 110 V conversion kit: 120.–

including a rectangular backplate of

57,5 x 12 cm (22.6" x 4.7")

\* The following suspensions on request (without surcharge):

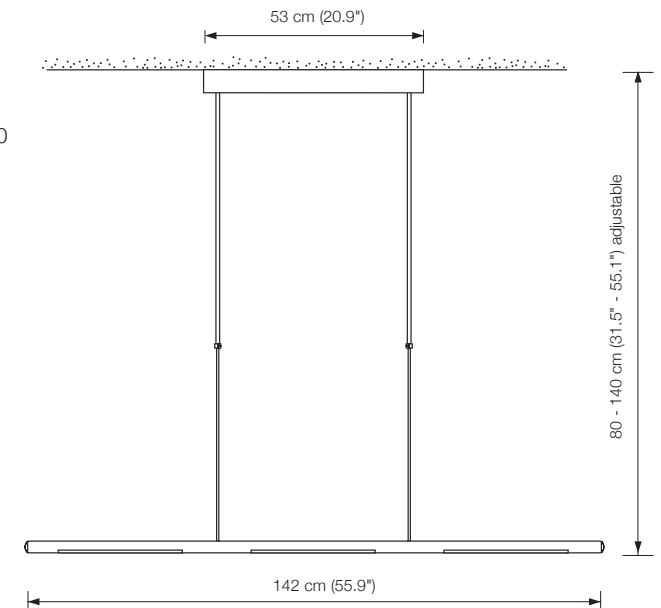
Overall height 105 – 200 cm (41.3" – 78.7")

Overall height 130 – 250 cm (51.2" – 98.4")

Other pendulum lengths possible on request (with additional charge of 280.–)

\*\* We recommend (without obligation) the following dimmer brands:

- GIRA 0307 00/102
- JUNG 1731 DD
- BERKER 2874
- FELLER 40300.RC
- BUSCH-JÄGER 6523U
- ARDITI 027505
- CASAMBI Dimmer 800598 / 800680
- KOPP 8033









OY

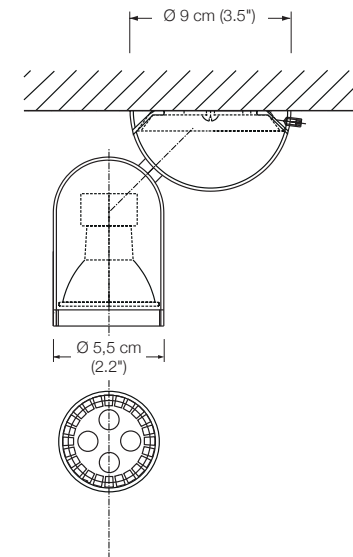
spot  
 rotatable 360°  
 height of shade: 8,4 cm (3.3")  
 Ø shade: 5,5 cm (2.2")  
 Ø canopy: 9 cm (3.5")  
 lampholder: GU 10 (high-voltage)  
 bulb: LED Spot Retrofit (4,6 Watt) incl.  
 dimmable  
 exchangeable  
 approx. 575 Lumen  
 color temperature: warmwhite 2700 Kelvin  
 colour rendering: > 90 Ra

		€
OY – Ms	Solid brass polished, lacquered	504.–
OY – Mt	Solid brass matt brushed, lacquered	546.–
OY – Ni	Solid brass, nickel-plated	504.–
OY – Nm	Solid brass nickel-plated, matt brushed	546.–
OY – Cr	Solid brass, chrome-plated	546.–

Energy class: A++ to A

*Replacement bulbs can be ordered through VS Manufaktur.*

Additional USA 110 V conversion kit: 12.–  
 110 V bulbs not incl.



## OYO

spotlight  
swivelling to all sides  
for reflector-lights

Ø wall installation: approx. 12 cm (4.7")  
 Ø shade: approx. 13 cm (5.1")  
 lampholder: G53  
 bulb: LED Spot (8,5 W  $\hat{=}$  50 W), 24 ° incl.\*  
 dimmable  
 exchangeable  
 approx. 450 Lumen  
 color temperature: warmwhite 2700 K  
 colour rendering: > 90 Ra

OYO – Ms	Solid brass polished, lacquered	€ 735.–
OYO – Mt	Solid brass matt brushed, lacquered	809.–
OYO – Ni	Solid brass, nickel-plated	735.–
OYO – Nm	Solid brass nickel-plated, matt brushed	809.–
OYO – Cr	Solid brass, chrome-plated	809.–

\* optional:

LED Spot ( 8,5 W  $\hat{=}$  50 W), 24 ° - 4000 K  
 LED Spot ( 8,5 W  $\hat{=}$  50 W), 40 ° - 2700 K  
 LED Spot (15,5 W  $\hat{=}$  75 W), 24 ° - 2700 K  
 LED Spot (15,5 W  $\hat{=}$  75 W), 24 ° - 4000 K  
 LED Spot (15,5 W  $\hat{=}$  75 W), 40 ° - 2700 K

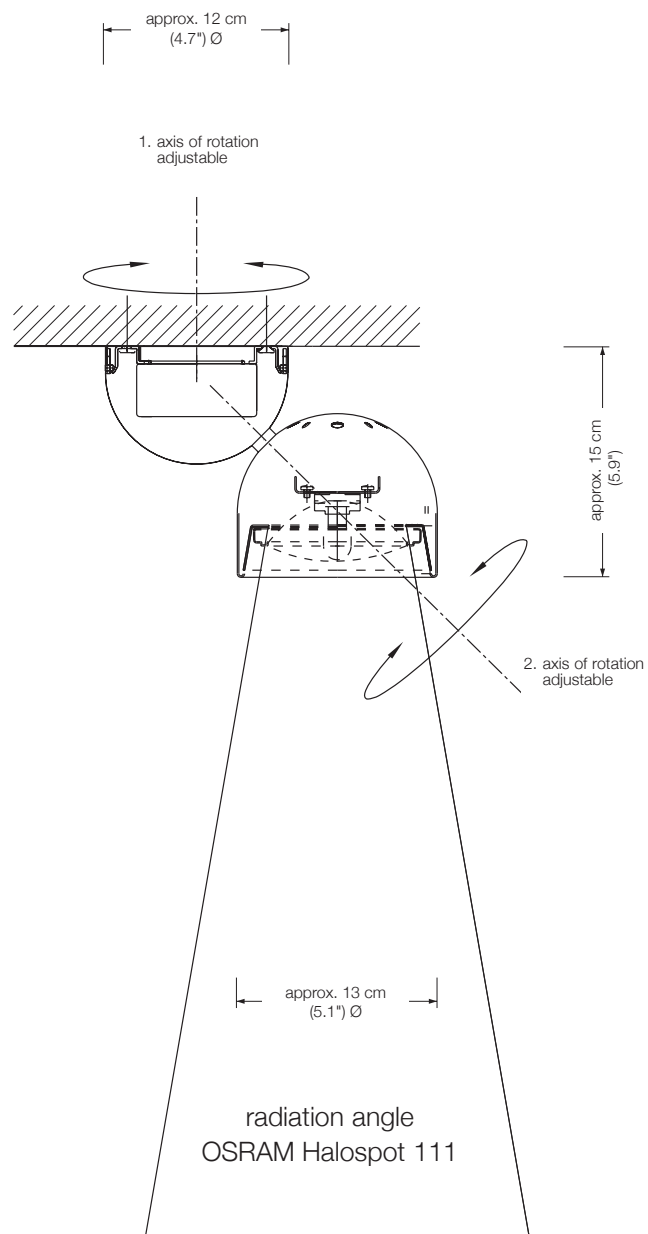
Please indicate with order.

Energy class: A

*This model will be sold with a class A bulb.*

4" junction box: covered

Additional USA 110 V conversion kit: 32.–





VS Manufaktur  
Schwieberdinger Str. 123  
71636 Ludwigsburg  
Germany

Tel +49 71 41/46 40 01  
Fax +49 71 41/46 02 03

[www.vs-manufaktur.de](http://www.vs-manufaktur.de)  
[info@vs-manufaktur.de](mailto:info@vs-manufaktur.de)

All rights reserved.  
Specifications and design subject to change without notice.