

VS manufaktur  
licht + objekt



## Timeless craftsmanship

Our mission is to manufacture lamps of lasting value,  
in function and in form distinguished  
by superior craftsmanship and timeless design.

VS manufaktur  
licht + objekt

# Collection 2019

Recommended retail price without VAT, valid with effect from February 1<sup>st</sup> 2019.

With immediate effect, only the models specified in this list are available.

The technical data in this price list shall apply exclusively.

## Alphabetical index

page	page
ALIA .....35	LOT .....12
BEO .....38	MESA 18 .....10
BLOC .....33	MESA 24 .....11
CERVANTES.....24	MYOS .....14
ELAS .....31	OKON .....13
ELAS S.....31	OLA 36.....45
ERA 33 .....37	ONE 58.....6
ERA 55 .....37	ONE 80.....7
EREA 80.....40	ONOS 40 ...50 – 51
GEA .....34	ONOS 55 ...48 – 49
GELA 40 ...42 – 43	ORA 20 .....30
GELA 55 ...42 – 43	ORA 25 .....30
GELA 80 ...42 – 43	OVA .....8 – 9
GO 30.....18	OY 55.....58
INAS.....21	OYO .....59
LESAN M .....25	PEN 100.....54
LESAN S.....25	PEN 121.....55
LIN .....19	PEN 142....56 – 57

## Collection

page	page
PIN .....16 – 17	Chandeliers: .....6 – 11
PIN d .....16 – 17	Floorlamps: .....12 – 14
PIN T .....28	Arc floor lamps: .....15
PIN W dim .....32	Floor reading lamps: .....16 – 25
POSA 36 ...46 – 47	Table lamps:.....26 – 31
SELA 55 .....44	Wall sconces:.....32 – 39
SOLA 80 .....41	Ceiling lamps:.....40 – 45
STE .....20	Adjustable pendant lamps: ...46 – 51
TOA .....27	Pendant lamps: .....54 – 57
TOLED .....26	Spots:.....58 – 59
UNA .....15	
WED.....36	
WIN .....39	
YON .....22 – 23	
YON G .....22 – 23	
YON T .....29	

## Prices for non-standard finishes

In addition to the metal finishes quoted in this price list, special finishes are available for most models.

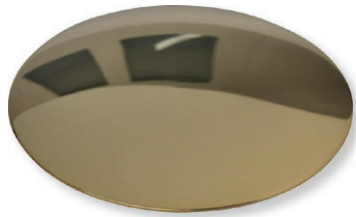
Surcharges are calculated from the basic price for brass (- Ms) or nickel (-Ni): \*

Mp	Solid brass polished, unlacquered . . . . .	+ 10%
Ni-lack	Solid brass, nickel plated, lacquered . . . . .	+ 10%
Cu	Solid brass, copper plated . . . . .	+ 10%
Br	Solid brass, bronzed, lacquered . . . . .	+ 20%
Bd	Solid brass, dark-bronzed, lacquered . . . . .	+ 30%

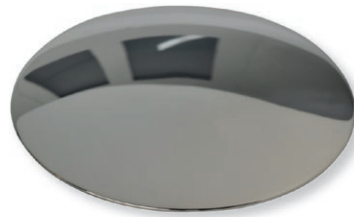
delivery times on request

\* Prices can vary depending on model and technical feasibility.

All models are available in the following finishes:



Ms  
Solid brass polished, lacquered



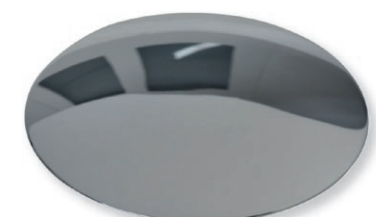
Ni  
Solid brass, nickel plated



Mt  
Solid brass matt brushed,  
lacquered

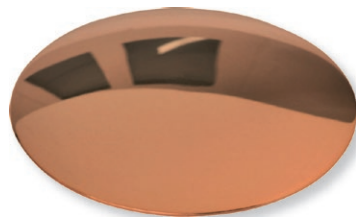


Nm  
Solid brass nickel plated,  
matt brushed

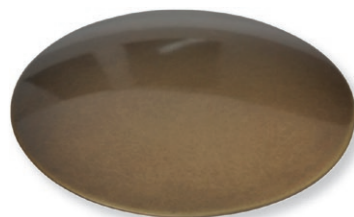


Cr  
Solid brass, chrome-plated

On request we offer the following non-standard finishes:



Cu  
Solid brass, copper plated



Br  
Solid brass, bronzed,  
lacquered



Bd  
Solid brass, dark-bronzed,  
lacquered

Note:

*The special surfaces „Mp – Solid brass polished, unlacquered“ and „Ni-lack – Solid brass, nickel plated, lacquered“ visually look the same, such as „Ms – Solid brass polished, lacquered“ and „Ni – Solid brass, nickel plated“.*



## ONE 58

Available from May 2019!

LED chandelier

height: adjustable 0.5 to 2 m (16.69" to 78.74") (standard)\*

Ø ring: 58 cm (22.8")

Ø canopy: 25 cm (9.8")

illuminant: LED with glare protection  
light upwards and downwards

colour temperature: warm white 2700 K

Farbwiedergabe: > 90 Ra

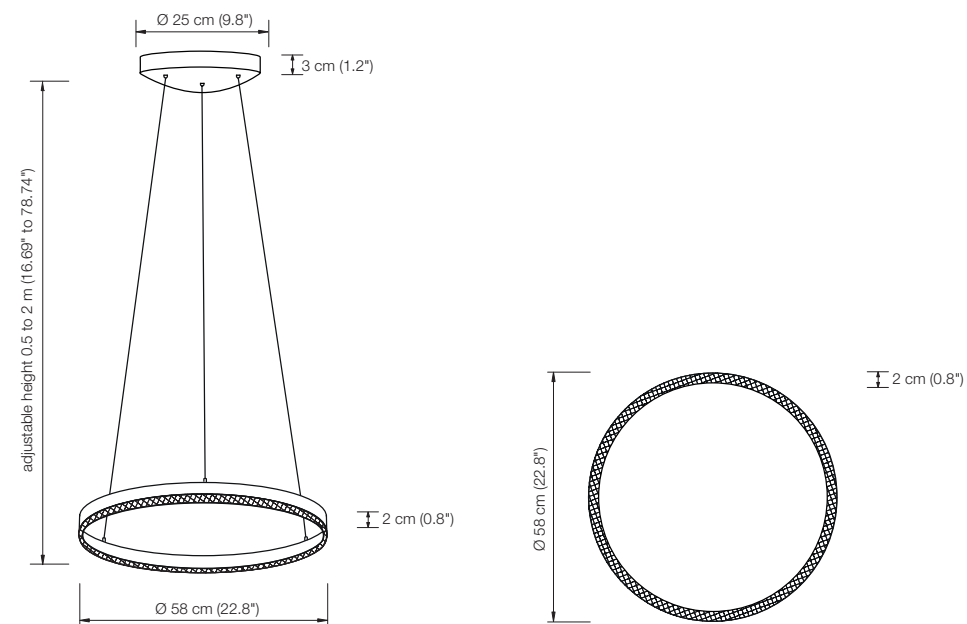
Energy class: A++ to A

\* Other heights: available on request

110 Volt/USA: not dimmable

4" junction box: covered

Additional USA 110 V conversion kit: available on request



## ONE 80

LED chandelier

height: adjustable 0.5 to 2 m (16.69" to 78.74") (standard)\*\*

Ø ring: 80 cm (31.5")

Ø canopy: 25 cm (9.8")

illuminant: LED with glare protection  
light upwards and downwards

colour temperature: warm white 2700 K

colour rendering: > 90 Ra

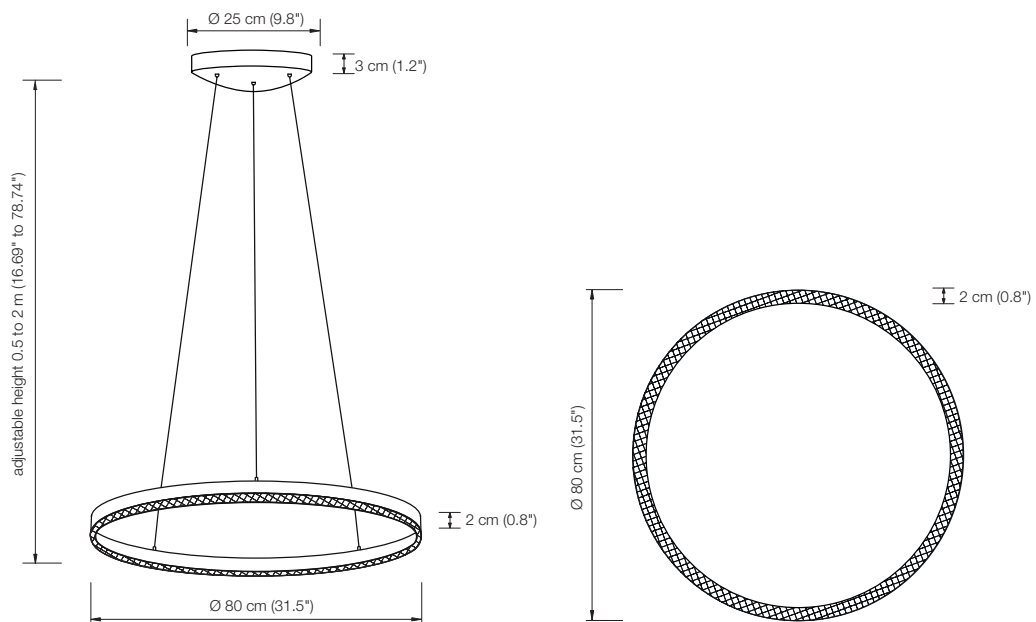
Energy class: A++ to A

\* Other heights: available on request

110 Volt/USA: **not dimmable**

4" junction box: covered

Additional USA 110 V conversion kit: **available on request**





## OVA

LED chandelier

height: adjustable 1.5 to 2 m (59.06" to 78.74") (standard)\*

oval shade: 125 cm long, 47 wide, 4 cm high  
(49.2" long, 18.5" wide, 1.6" high)

canopy: 47 cm long, 14 cm wide, 5 cm high  
(18.5" long, 5.5" wide, 2" high)

illuminant: LED with glare protection  
light upwards and downwards

colour rendering: > 90 Ra

colour temperature: warm white 2700 K

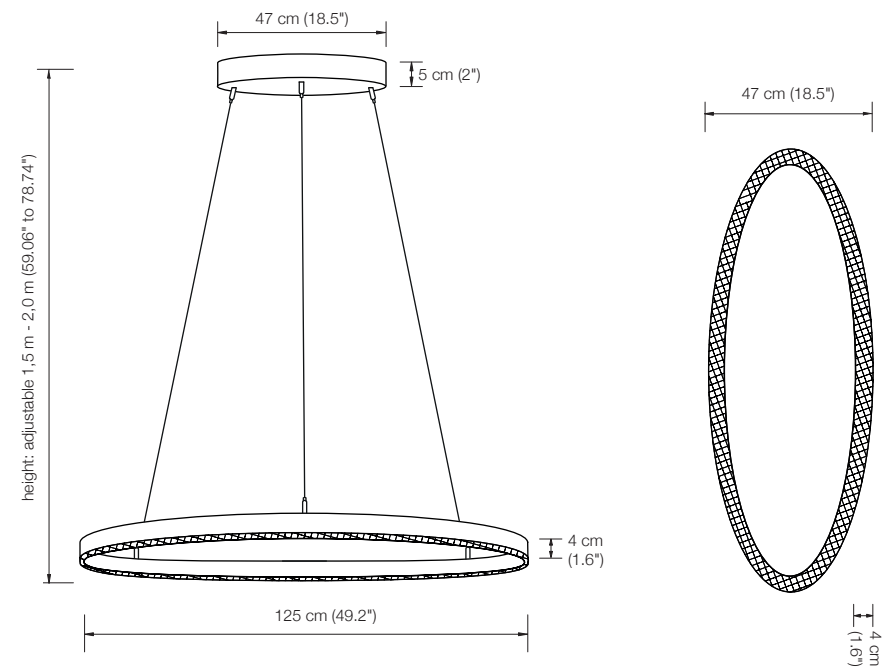
Energy class: A++ to A

\* Other heights possible, each with a range of 50 cm (19.7").

110 Volt/USA: **not dimmable**

4" junction box: covered

Additional USA 110 V conversion kit: **available on request**







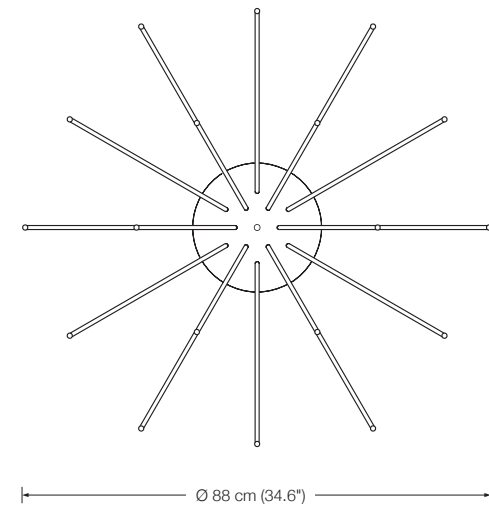
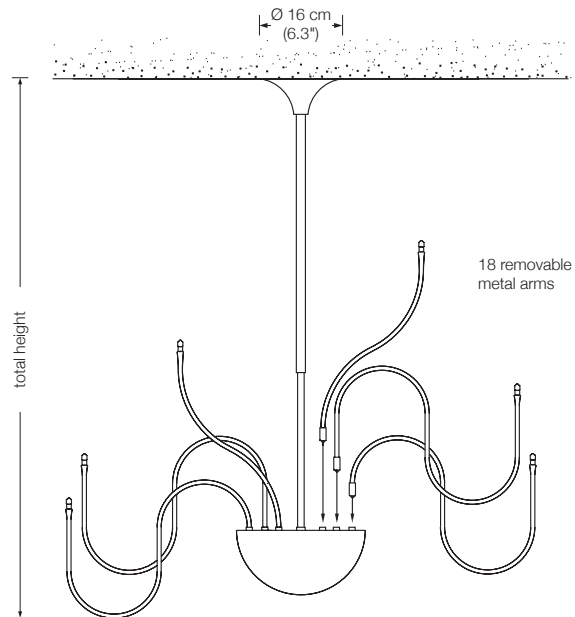
## MESA 18

chandelier  
18 removable metal arms  
total height: min. 85 cm (33.5") - max. 305 cm (120.1") \*  
Ø: 88 cm (34.6")  
lampholder: 18 x G 4, max. 18 x 20 W / 12 V  
bulb: 20 x OSRAM HALOSTAR 20 W incl.  
dimmer: brightness control is possible \*\*

4" junction box: covered  
Additional USA 110 V conversion kit: **available on request**

\* telescopic adjustment:  
total height 85 – 125 cm (33.5" – 49.2") (standard)  
total height 115 – 185 cm (45.3" – 72.8")  
total height 175 – 305 cm (68.9" – 120.1")  
Other options available on request.  
Please indicate with order.

\*\* These lamps are equipped with 2 electronic transformers  
of 210 VA capacity each.



## MESA 24

chandelier

24 removable metal arms

total height: min. 95 (37.4") - max. 315 cm (53.1") \*

Ø: 140 cm (55.1")

lampholder: 24 x G 4, max. 24 x 20 W / 12 V

bulb: 28 x OSRAM HALOSTAR 20 W incl.

dimmer: brightness control is possible \*\*

4" junction box: covered

Additional USA 110 V conversion kit: **available on request**

\* telescopic adjustment:

total height 95 – 135 cm (37.4" – 53.1") (standard)

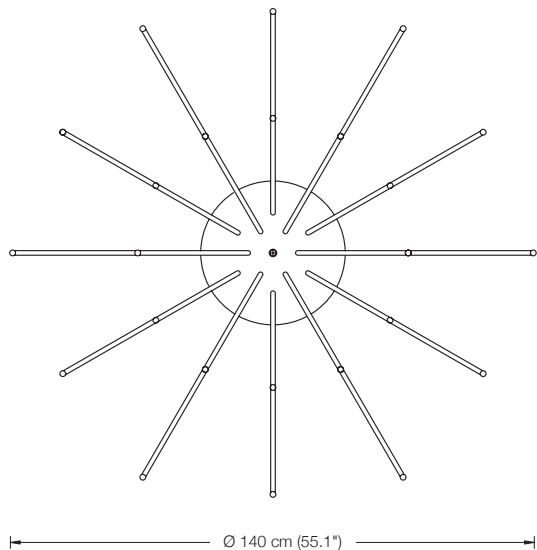
total height 125 – 195 cm (49.2" – 76.8")

total height 185 – 315 cm (72.8" – 124")

Other options available on request.

Please indicate with order.

\*\* These lamps are equipped with 3 electronic transformers of 210 VA capacity each.



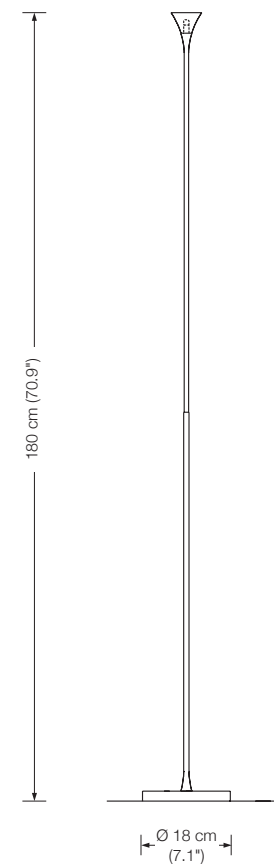


## LOT

floor lamp  
height: 180 cm (70.9")  
shade: TEFLON white Ø 7 cm (2.8")  
lampholder: GY 6.35, max. 50 W / 12 V  
bulb: OSRAM HALOSTAR ECO  
35 W  $\hat{=}$  50 W incl.  
dimmer: sensor (touch dimmer) \*

\* also available: dimmer on cord  
Please indicate with order

This model is not available for 110 Volt/USA.



## OKON

floor lamp

height: 183 cm (72")

shade: metal Ø 40 cm (15.7") bottom glass diffuser

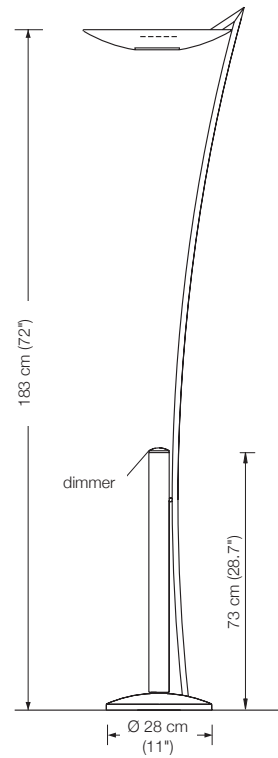
lampholder: R7s, max. 500 W - for 110 V: max. 250 W

bulb: OSRAM HALOLINE ECO 230 W

dimmer: built in

Additional USA 110 V conversion kit: **available on request**

110 V bulbs are not included





## MYOS

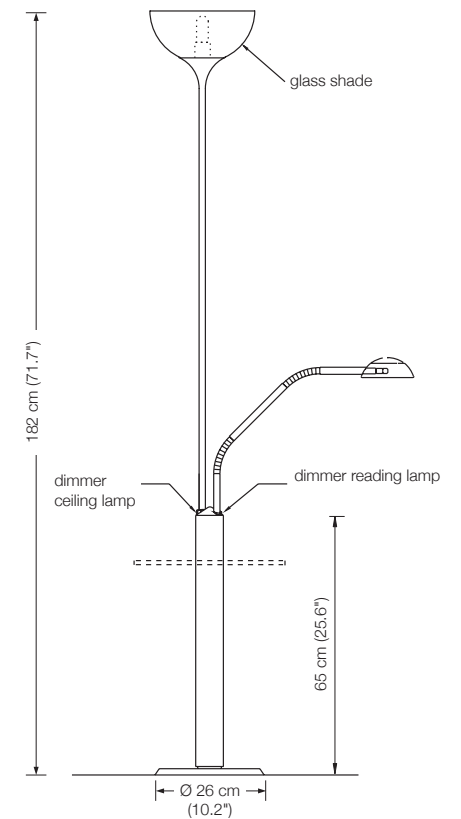
floor lamp / reading lamp

height:	182 cm (71.7")
width reading lamp:	approx. 50 cm (19.7")
shade floor lamp:	glass white-opal, Ø 26 cm (10.2")
shade reading lamp:	metal Ø 12 cm (4.7"), adjustable
lampholder floor lamp:	E 26, max. 250 W - for 110 V: max.150 W
bulb floor lamp:	OSRAM HALOLUX CERAM ECO 150 W
lampholder reading lamp:	GY 6.35, max. 50 W / 12 V
bulb reading lamp:	OSRAM HALOSTAR ECO 35 W $\hat{=}$ 50 W incl.
dimmer:	2 x built in

glass tabletop Ø 36 cm, height 50 cm, clear glass 10 mm: **available on request**

Additional USA 110 V conversion kit: **available on request**

110 V bulbs are not included

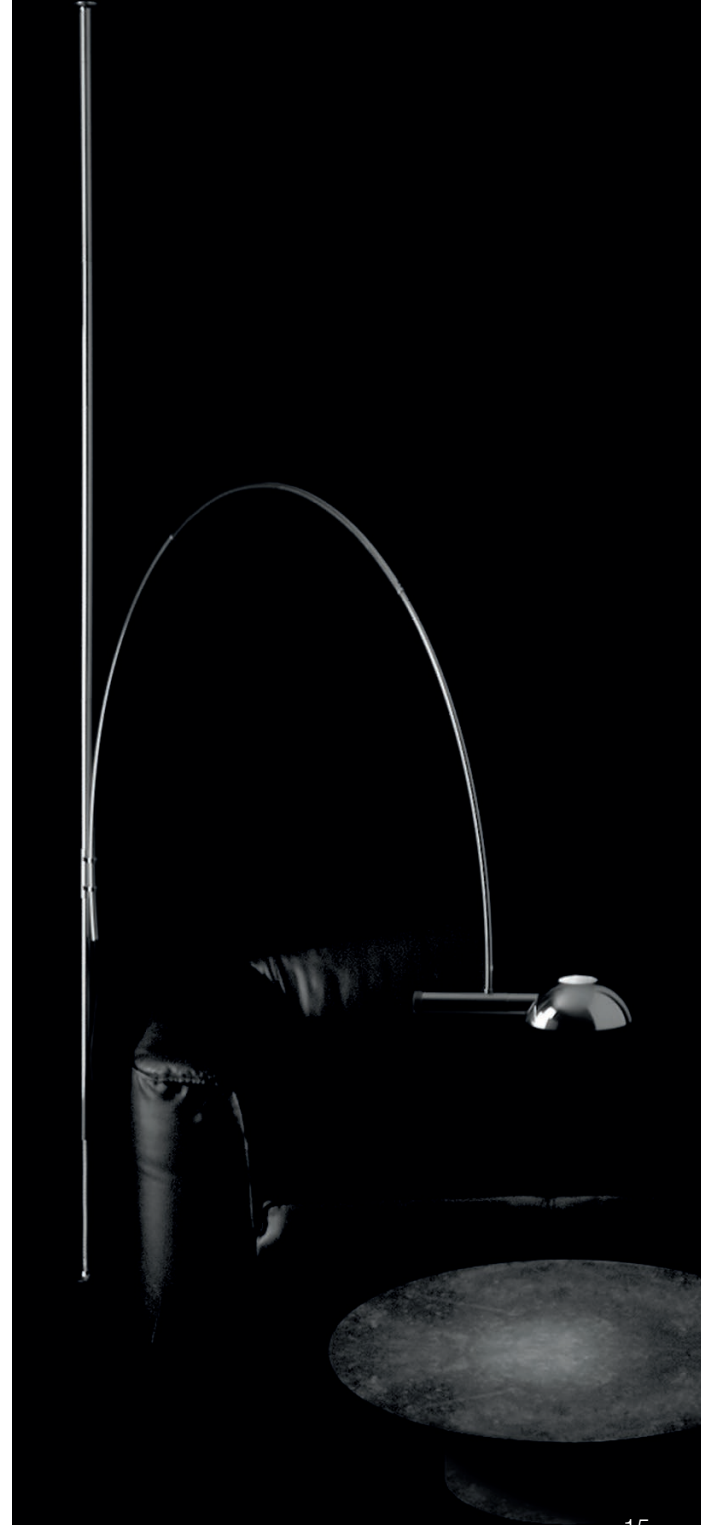
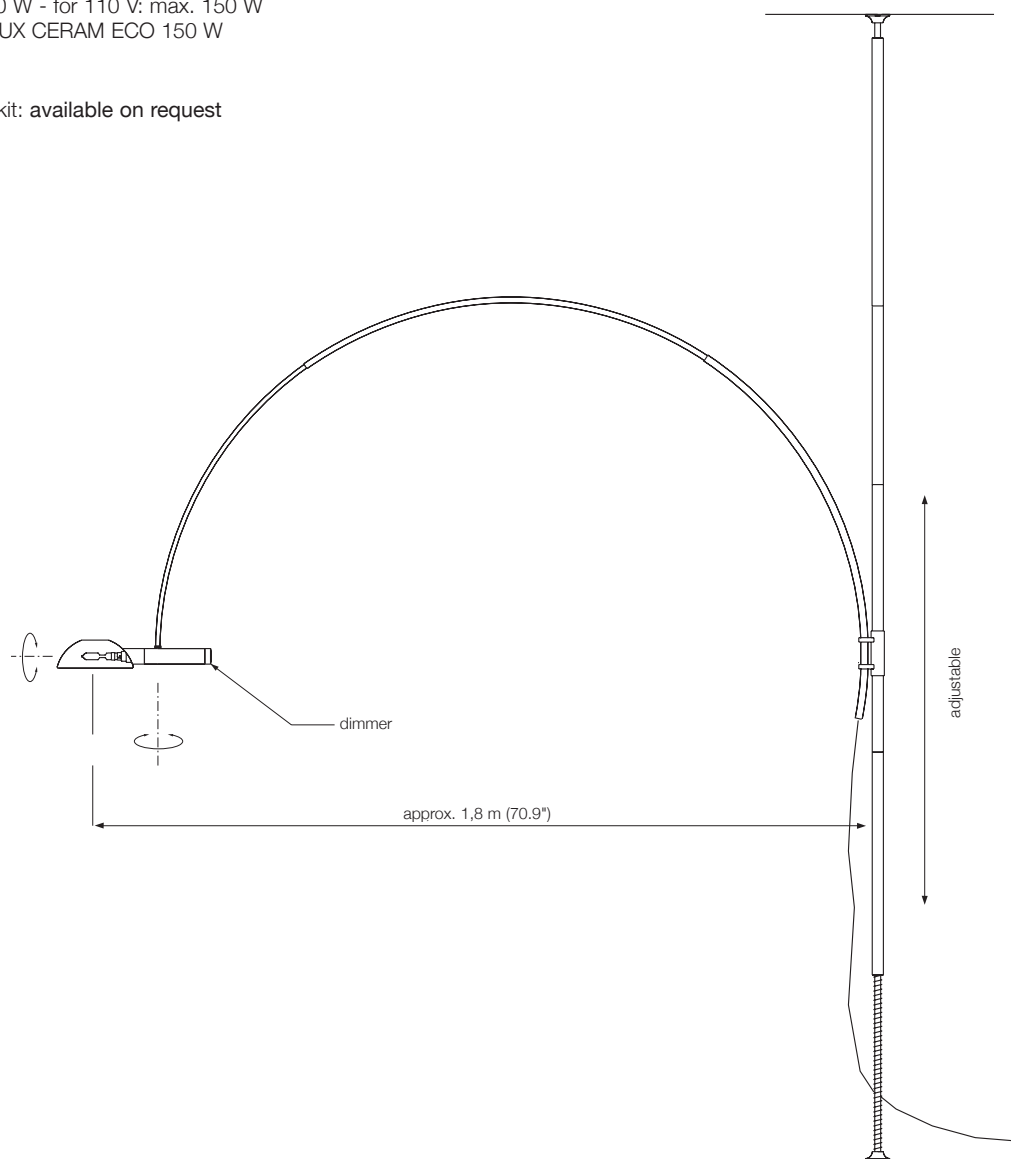


## UNA

arc floor lamp  
mounting between floor and ceiling  
variable up to 3.20 m (126") room height  
arc height adjustable

shade: metal, Ø 17 cm (6.7"), rotatable  
lampholder: B 15d, max. 250 W - for 110 V: max. 150 W  
bulb: OSRAM HALOLUX CERAM ECO 150 W  
dimmer: built in

Additional USA 110 V conversion kit: **available on request**





## PIN

floor reading lamp  
height: 100 - 135 cm (39.4 - 53.2") adjustable  
width: approx. 52 cm (20.5")  
bulb: LED-Line 150 incl.  
exchangeable  
color temperature: warmwhite 2700 Kelvin

Additional USA 110 V conversion kit: **available on request**

Energy class: A++ to A

## PIN d

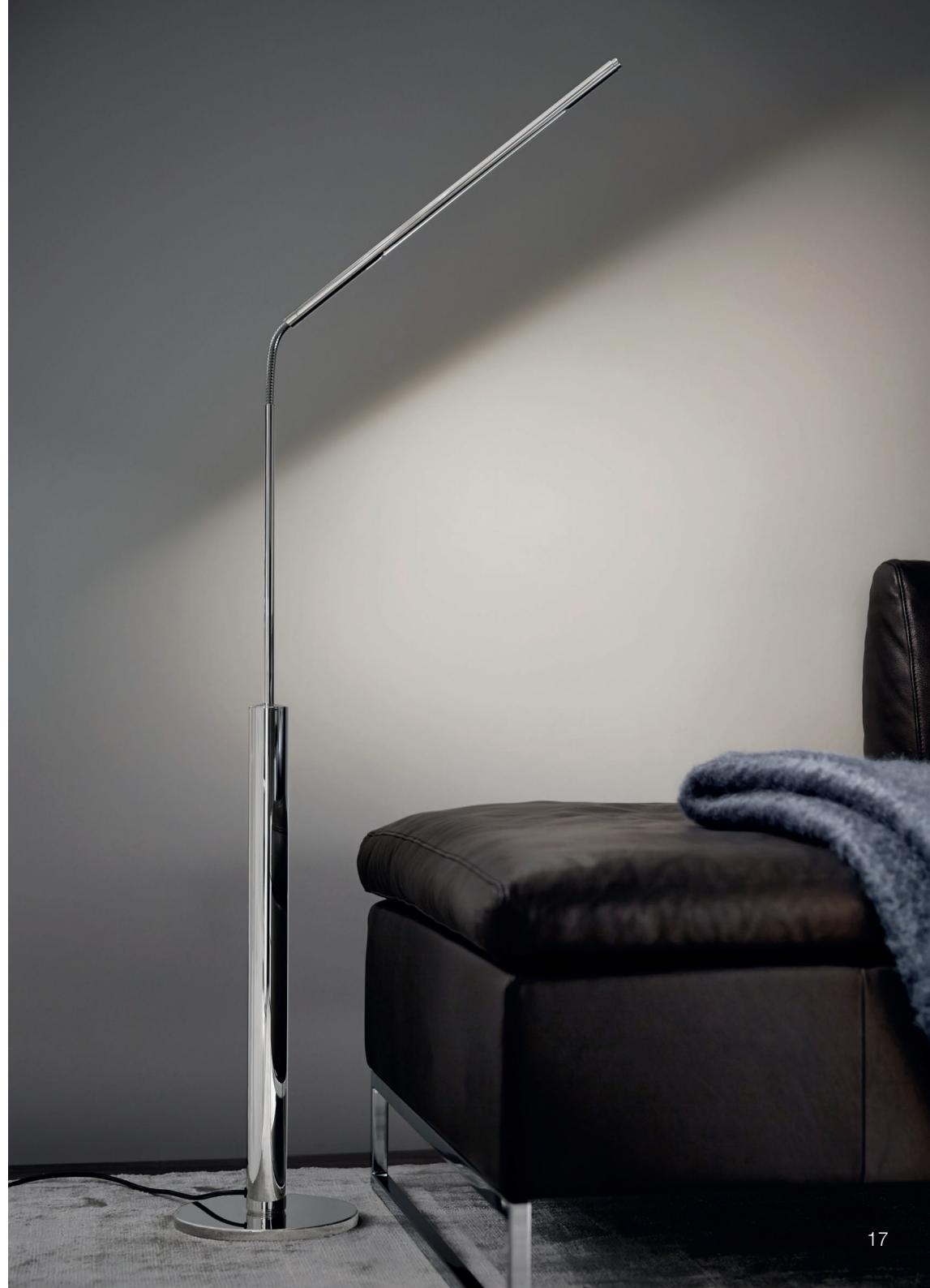
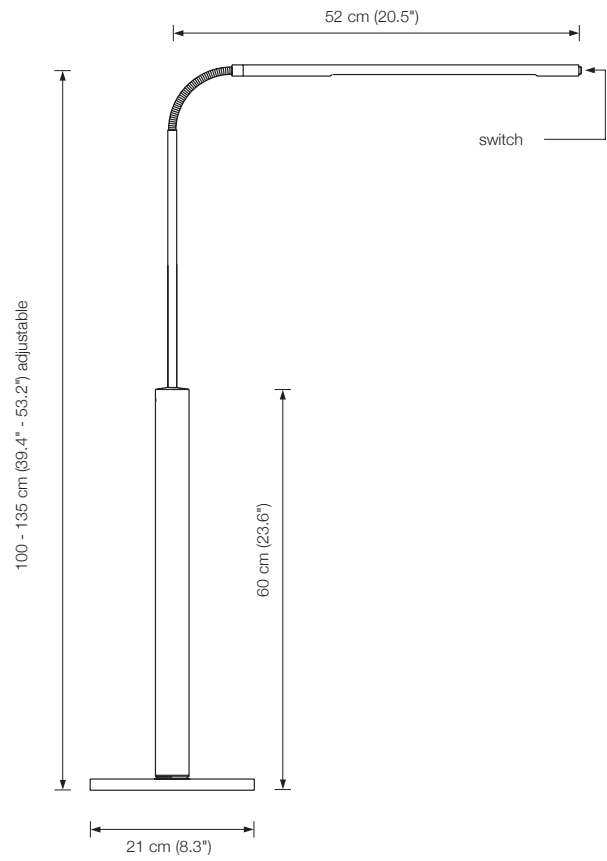
floor reading lamp  
height: 105 - 140 cm (41.3 - 55.1") adjustable  
width: approx. 52 cm (20.5")  
bulb: LED-Line 150 incl.  
exchangeable  
color temperature: warmwhite 2700 Kelvin  
dimmer: built in

Additional USA 110 V conversion kit: **available on request**

Energy class: A++ to A









## GO 30

floor reading lamp

height: 100 - 170 cm (39.37 - 66.9") adjustable

shade: TEFLON white, Ø 10 cm (3.9")

lampholder: GY 6.35

bulb: OSRAM HALOSTAR ECO

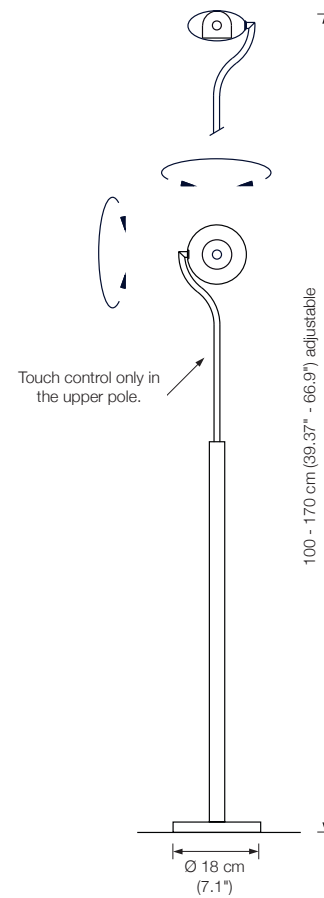
50 W  $\hat{=}$  75 W incl.

dimmer: sensor (touch dimmer)\*

\* also available: dimmer on cord

Please indicate with order.

This model is not available for 110 Volt/USA.



## LIN

floor reading lamp

flexible and specially reinforced metal arm

height: approx. 140 cm (55.1")

shade: TEFLON white, Ø 7 cm (2.8")

lampholder: GY 6.35, max. 50 W 12 V

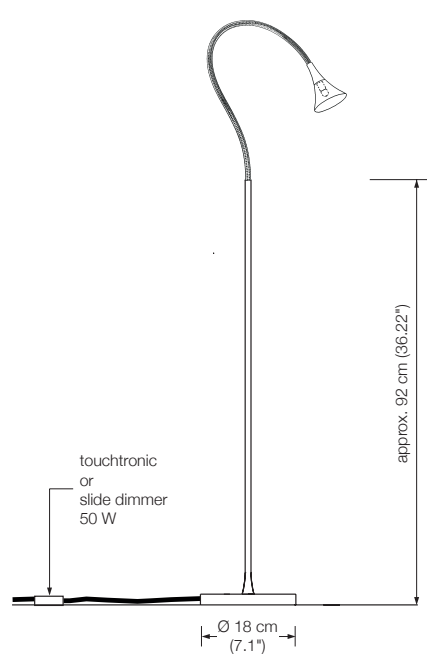
bulb: OSRAM HALOSTAR ECO

35 W  $\hat{=}$  50 W incl.

dimmer: sensor (touch dimmer) \*

This model is not available for 110 Volt/USA.

\* also available: dimmer on cord  
Please indicate with order.





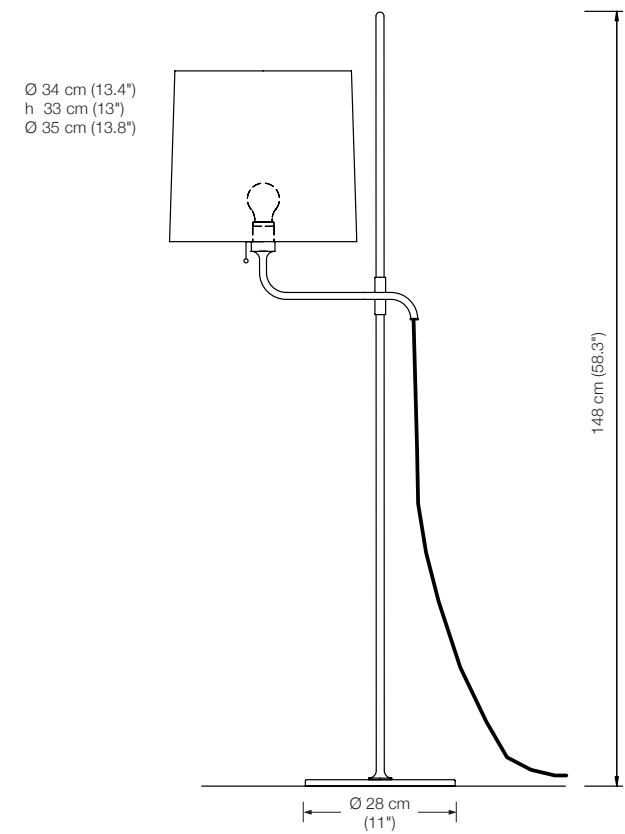
## STE

floor reading lamp

height: adjustable  
shade: silk 101, natural white \*  
lampholder: E 26, max. 150 W

Additional USA 110 V conversion kit: **available on request**

\* fabric required: 120 x 60 cm (47.2" x 23.6")



## INAS

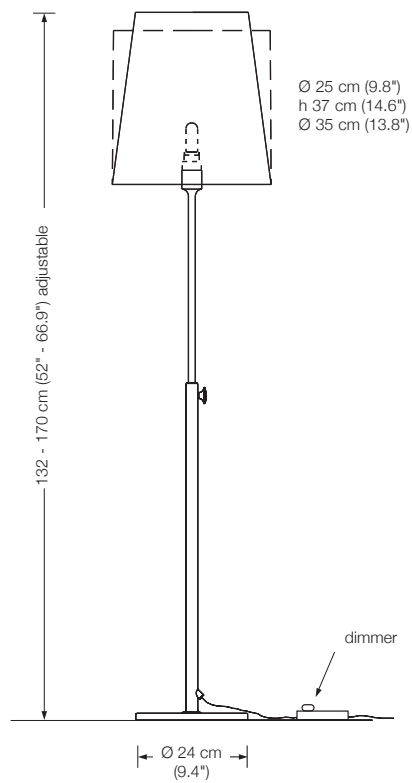
floor reading lamp

height: 132 - 170 cm (52" - 66.9") adjustable  
shade: silk, conical or straight\*  
lampholder: E 26, max. 250 W  
dimmer: on cord

Additional USA 110 V conversion kit: **available on request**  
110 V bulbs not incl.

\* Please indicate with order.

fabric required: 120 x 60 cm (47.3" x 23.6")

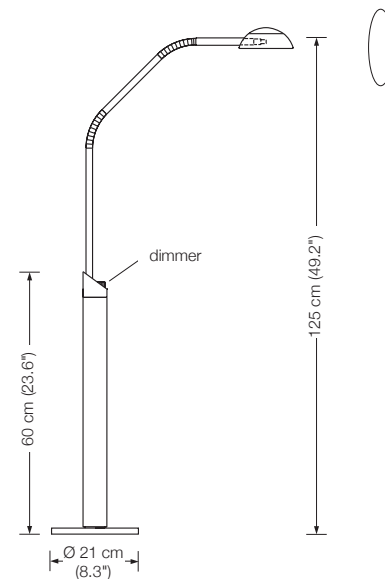


## YON

floor reading lamp

height: adjustable  
shade: metal Ø 12 cm (4.7"), rotatable  
lampholder: GY 6.35, max. 50 W / 12 V  
bulb: OSRAM HALOSTAR ECO 35 W  $\hat{=}$  50 W incl.  
dimmer: built in

Additional USA 110 V conversion kit: **available on request**

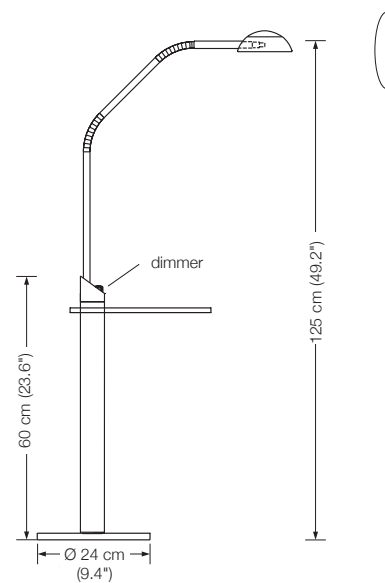


## YON G

floor reading lamp

with glass tabletop Ø 30 cm (11.8"), clear glass  
height: adjustable  
shade: metal Ø 12 cm (4.7"), rotatable  
lampholder: GY 6.35, max. 50 W / 12 V  
bulb: OSRAM HALOSTAR ECO 35 W  $\hat{=}$  50 W incl.  
dimmer: built in

Additional USA 110 V conversion kit: **available on request**







## CERVANTES

floor reading lamp

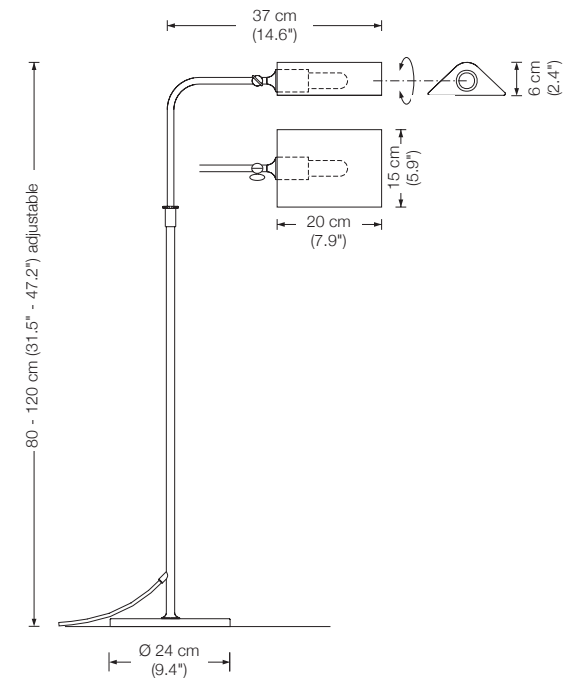
height: 80 - 120 cm (31.5" - 47.2") adjustable

shade: metal, rotatable

lampholder: E 26, max. 100 W

Additional USA 110 V conversion kit: available on request

110 V bulbs not incl.







## LESAN M

floor reading lamp  
 height: 90 - 135 cm (35.4" - 53.1") adjustable  
 shade: metal Ø 28 cm (11")  
 lampholder: E 26, max. 100 W

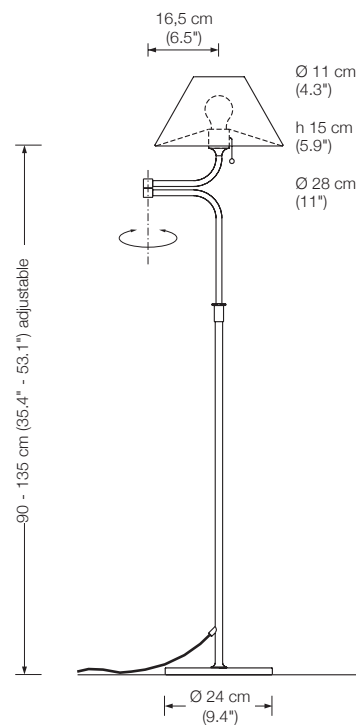
Additional USA 110 V conversion kit: **available on request**  
 110 V bulbs not incl.

## LESAN S

floor reading lamp  
 height: 90 - 135 cm (35.4" - 53.1") adjustable  
 shade: silk\* Ø 28 cm (11")  
 lampholder: E 26, max. 100 W

Additional USA 110 V conversion kit: **available on request**  
 110 V bulbs not incl.

\* fabric required: 50 x 80 cm (19.7" x 31.5")





## TOLED

desk lamp

height: 45 cm (17.7")

width: 70 cm (27.6")

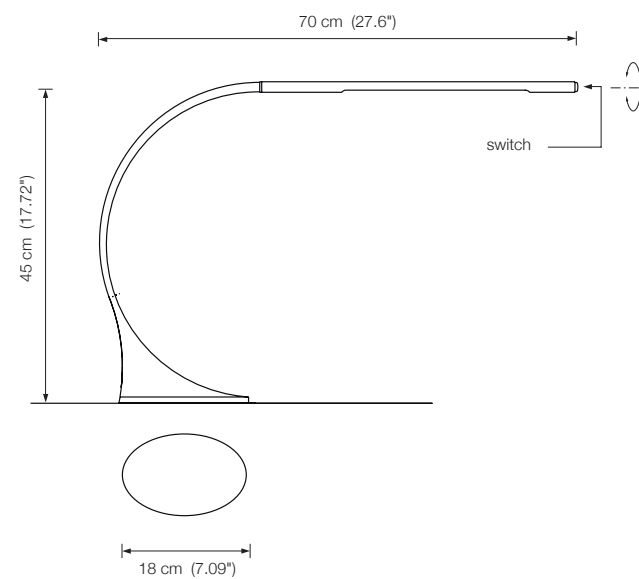
shade: rotatable

bulb: LED-Line 150 incl.  
exchangeable

color temperature: warmwhite 2700 Kelvin

Additional USA 110 V conversion kit: available on request

EU Energy class: A++ to A



## TOA

table lamp

flexible and specially reinforced metal arm

height: up to max. 50 cm (19.7")

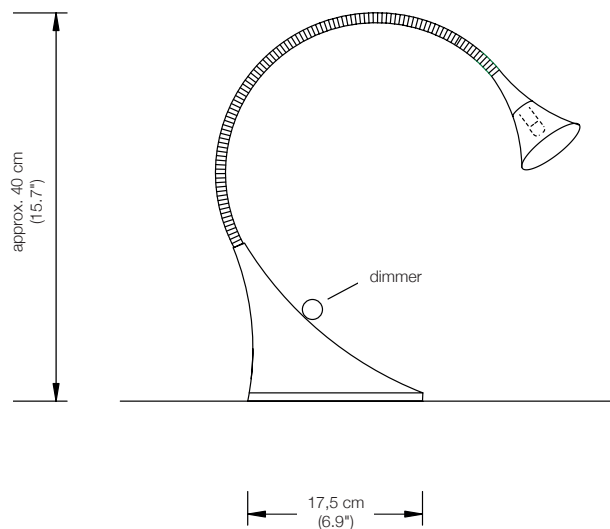
shade: TEFLON white, Ø 7 cm (2.8")

lampholder: GY 6.35, max. 20 W / 12 V

bulb: OSRAM HALOSTAR IRC 20 W incl.

dimmer: built in

Additional USA 110 V conversion kit: **available on request**





## PIN T

desk lamp

height: 45 cm (17.7")

width: 70 cm (27.6")

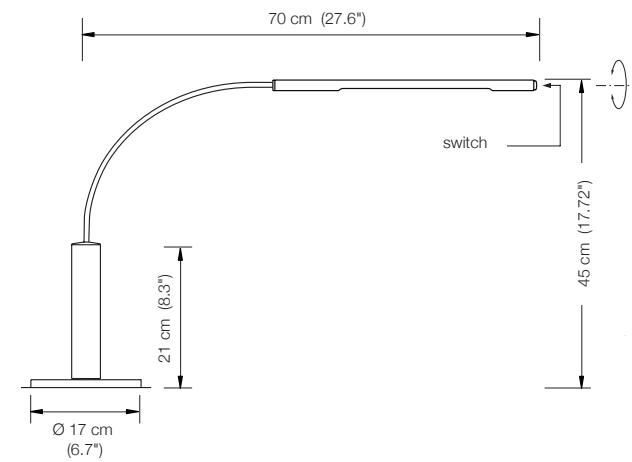
shade: rotatable

bulb: LED-Line 150 incl.  
exchangeable

color temperature: warmwhite 2700 Kelvin

Additional USA 110 V conversion kit: **available on request**

EU Energy class: A++ to A



## YON T

table lamp

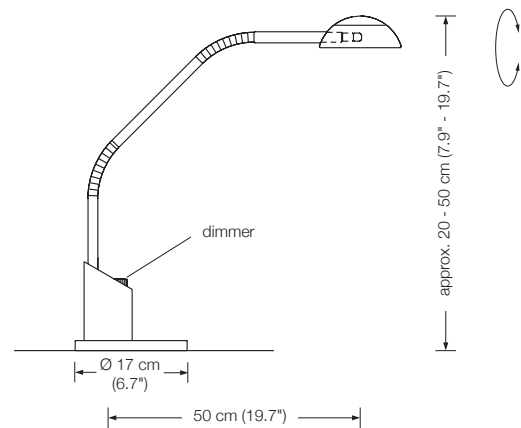
shade: metal Ø 12 cm (4.7"), adjustable

lampholder: GY 6.35, max. 50 W / 12 V

bulb: OSRAM HALOSTAR ECO 35 W  $\hat{=}$  50 W incl.

dimmer: built in

Additional USA 110 V conversion kit: available on request



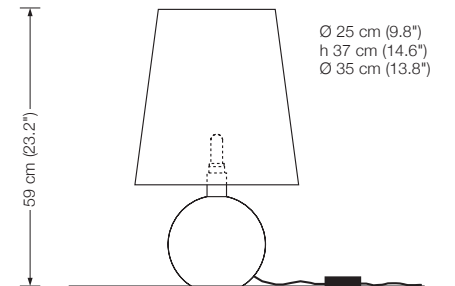


## ORA 20

table lamp  
 metal ball Ø 20 cm (7.9")  
 height: 59 cm (23.2")  
 shade: silk\*  
 lampholder: E 26, max. 150 W  
 dimmer: on cord

Additional USA 110 V conversion kit: **available on request**  
 110 V bulbs not included

\* fabric required: 120 x 60 cm (47.2" x 23.6")

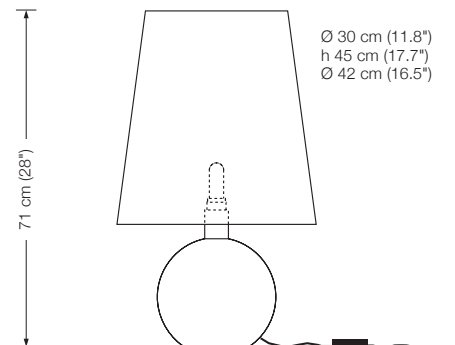


## ORA 25

table lamp  
 metal ball Ø 25 cm (9.8")  
 height: 71 cm (28")  
 shade: silk\*  
 lampholder: E 26, max. 150 W  
 dimmer: on cord

Additional USA 110 V conversion kit: **available on request**  
 110 V bulbs not included

\* fabric required: 140 x 70 cm (55.1" x 27.6")



## ELAS

table lamp

height: 50 - 70 cm (19.7" - 27.6") adjustable

shade: metal Ø 28 cm (11")

lampholder: E 26, max. 100 W

Additional USA 110 V conversion kit: **available on request**

110 V bulbs not included

## ELAS S

table lamp

height: 50 - 70 cm (19.7" - 27.6") adjustable

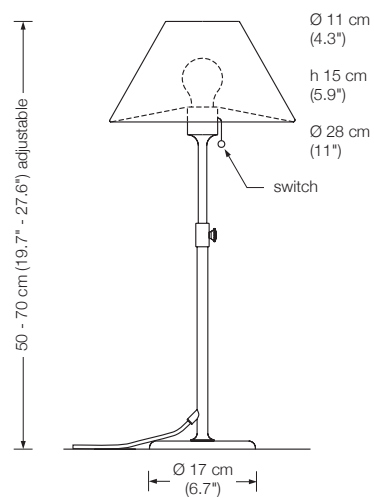
shade: silk\* Ø 28 cm (11")

lampholder: E 26, max. 100 W

Additional USA 110 V conversion kit: **available on request**

110 V bulbs not included

\* fabric required: 50 x 80 cm (19.7" x 31.5")





### PIN W dim

wall lamp

height: 48 cm (18.9")

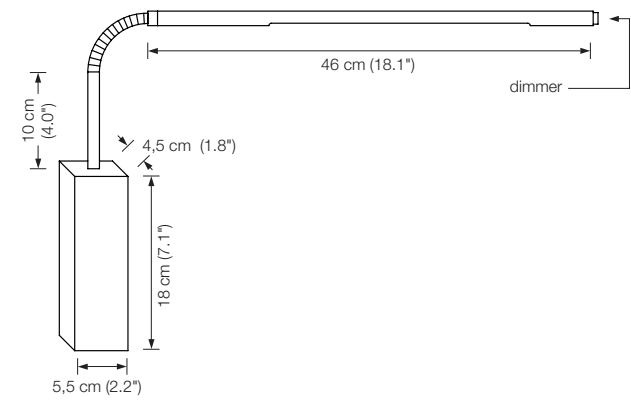
width: 65 cm (25.6")

bulb: LED-Line 150 incl.  
exchangeable

color temperature: warmwhite 2700 Kelvin

Additional USA 110 V conversion kit: **available on request**

Energy class: A++ to A





## BLOC

wall lamp

height: 5 cm (1.97")

width: 32 cm (12.6")

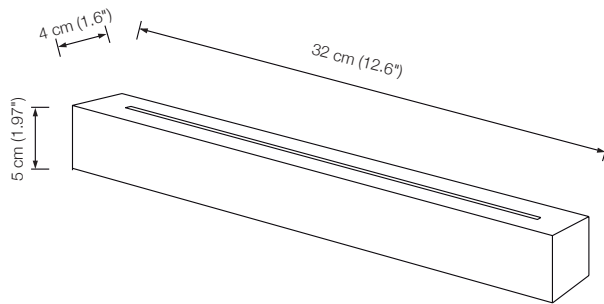
depth: 4 cm (1.6")

bulb: 2 x LED-Line 150 incl.  
exchangeable

color temperature: warmwhite 2700 Kelvin

Energy class: A++ to A

This model is not available for 110 Volt/USA.



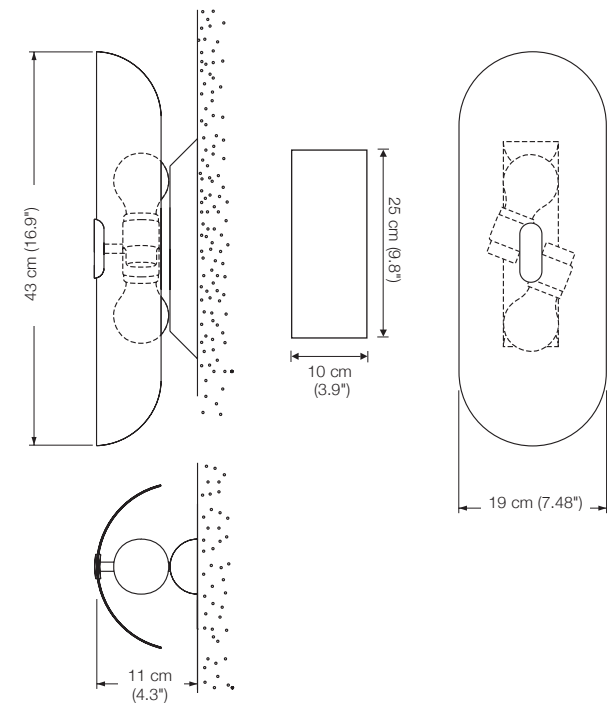


## GEA

wall lamp  
height: 43 cm (16.9")  
shade: glass white-opal  
lampholder: 2 x E 26, max. 2 x 100 W

4" junction box: not covered  
Backplate rectangular 25 x 10 cm (9.8" x 3.9", standard)  
or 25 x 12 cm (9.8" x 4.7", please indicate with order)

Additional USA 110 V conversion kit: **available on request**  
110 V bulbs not included



## ALIA

wall lamp  
indirect light

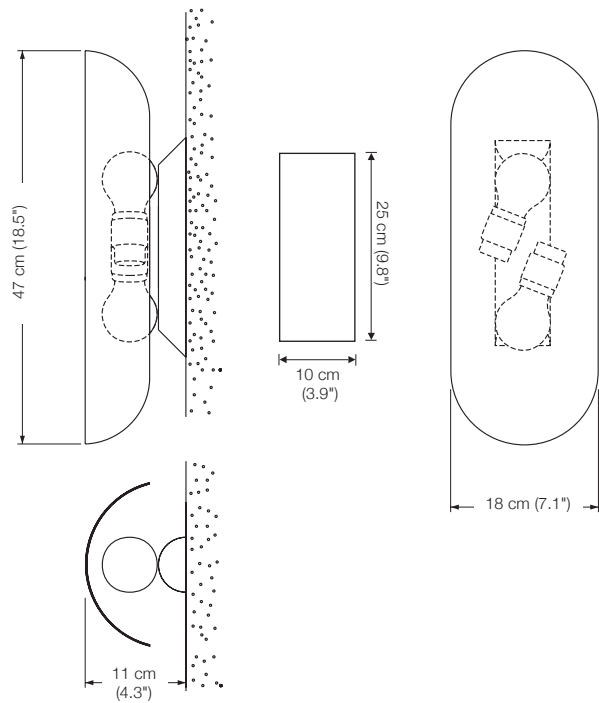
height: 47 cm (18.5")  
shade: metal  
lampholder: 2 x E 26, max. 2 x 100 W

4" junction box: not covered

Backplate rectangular 25 x 10 cm (9.8" x 3.9", standard)  
or 25 x 12 cm (9.8" x 4.7", please indicate with order)

Additional USA 110 V conversion kit: **available on request**

110 V bulbs not included





## WED

wall lamp

width: 40 cm (15.7")

lampholder: GU 5.3

bulb: LED-Spot 36° incl.  
exchangeable

color temperature: warmwhite 2700 Kelvin

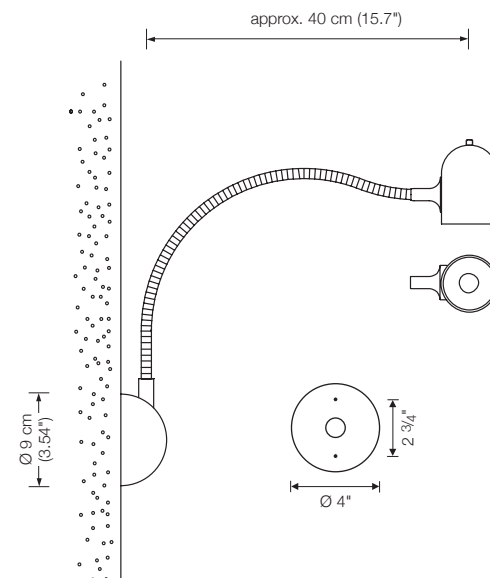
4" junction box: not covered

Backplate Ø 12 cm (4.72")

Additional USA 110 V conversion kit: **available on request**

Energy class: A++ to A

*Replacement bulbs can be ordered through VS Manufaktur.*



### ERA 33

wall lamp  
width: 33 cm (13")  
bottom glass diffuser  
lampholder: 2 x G9, max. 2 x 75 W / 230 V  
bulb: 2 x OSRAM HALOPIN ECO 60 W incl.

additional top glass diffuser  
Please indicate with order

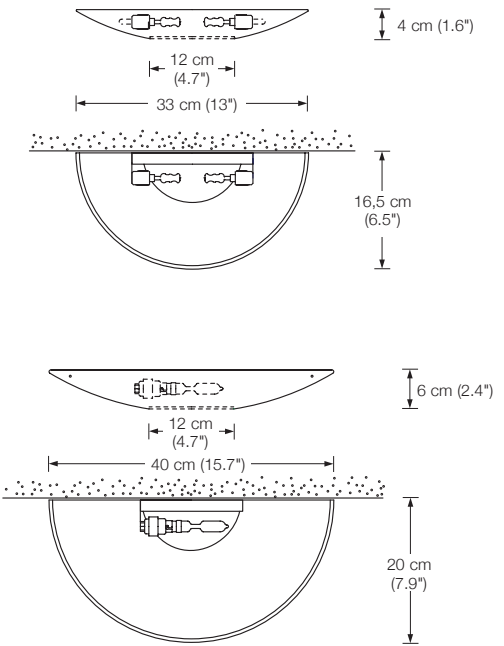
4" junction box: not covered  
Additional USA 110 V conversion kit: **available on request**  
110 V bulbs not included

### ERA 40

wall lamp  
width: 40 cm (15.7")  
bottom glass diffuser  
lampholder: B15d, max. 150 W / 230 V  
bulb: OSRAM HALOLUX CERAM ECO 100 W incl.

additional top glass diffuser  
Please indicate with order

4" junction box: not covered  
Additional USA 110 V conversion kit: **available on request**  
110 V bulbs not included

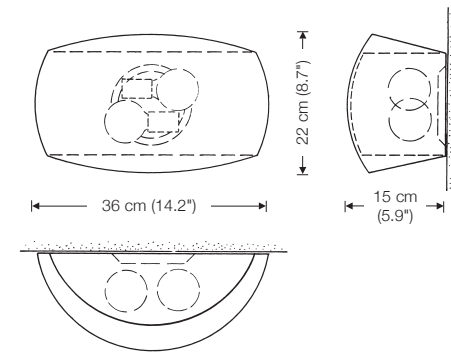




## BEO

wall and stairway lamp  
direct and indirect light  
glass diffuser top and bottom  
width: 36 cm (14.2")  
lampholder: 2 x E 26, max. 2 x 100 W

4" junction box: covered  
Additional USA 110 V conversion kit: **available on request**  
110 V bulbs not included



## WIN

wall lamp

height: 55 - ca. 80 cm (21.7" - 31.5") adjustable

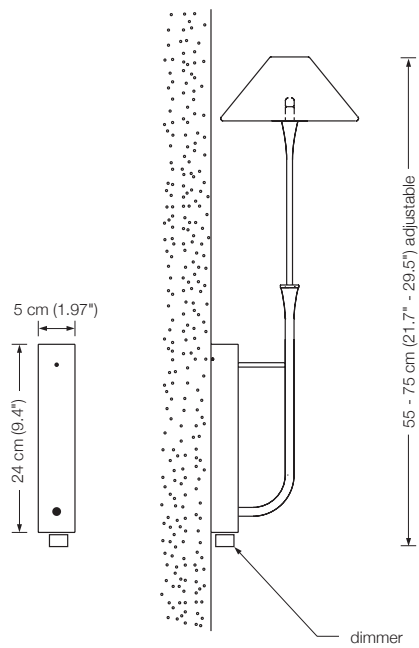
shade: TEFLON white Ø 18 cm (7.1")

lampholder: GY 6.35, max. 50 W / 12 V

bulb: OSRAM HALOSTAR ECO 35 W (equal 50 W) incl.

dimmer: built in

This model is not available for 110 Volt/USA.

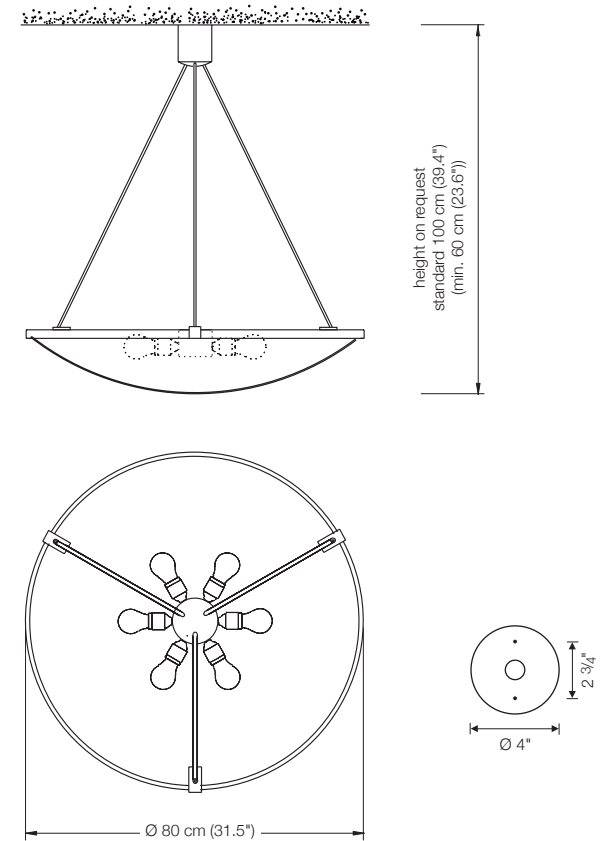




## EREA 80

ceiling lamp  
height: standard 100 cm (39.4")  
or on request  
(min. 60 cm (23.6") to max. 200 cm (78.7"))  
shade: glass white-opal Ø 80 cm (31.5")  
lampholder: 6 x E 26, max. 6 x 205 W

4" junction box: not covered  
Backplate Ø 12 cm (4.72")  
Additional USA 110 V conversion kit: **available on request**  
110 V bulbs not included





## SOLA 80

ceiling lamp  
direct and indirect light  
bottom glass diffuser

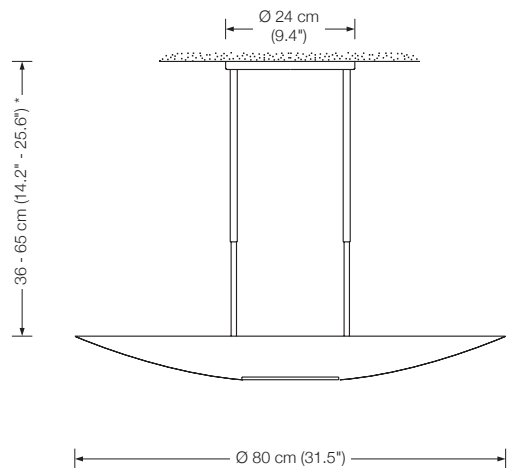
height: 36 - 65 cm (14.2" - 25.6") adjustable \*  
shade: metal Ø 80 cm (31.5")  
lampholder: R7s, max. 500 W  
bulb: OSRAM HALOLINE ECO 400 W incl.

4" junction box: covered

Additional USA 110 V conversion kit: **available on request**

110 V bulbs not included

\* special length on request



## GELA 40

wall / ceiling lamp

shade: glass white-opal Ø 40 cm (15.7")

lampholder: 5 x E 12, max. 5 x 60 W

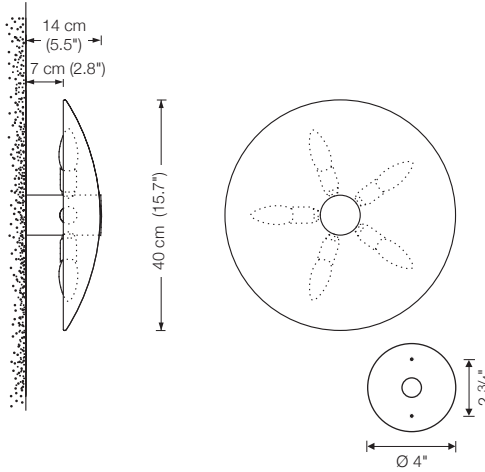
4" junction box: not covered

Backplate Ø 12 cm (4.72")

Additional USA 110 V conversion kit: **available on request**

110 V bulbs not included

special length (distance to wall / ceiling) on request



## GELA 80

ceiling lamp

shade: glass white-opal Ø 80 cm (31.5")

lampholder: 7 x E 26, max. 7 x 100 W

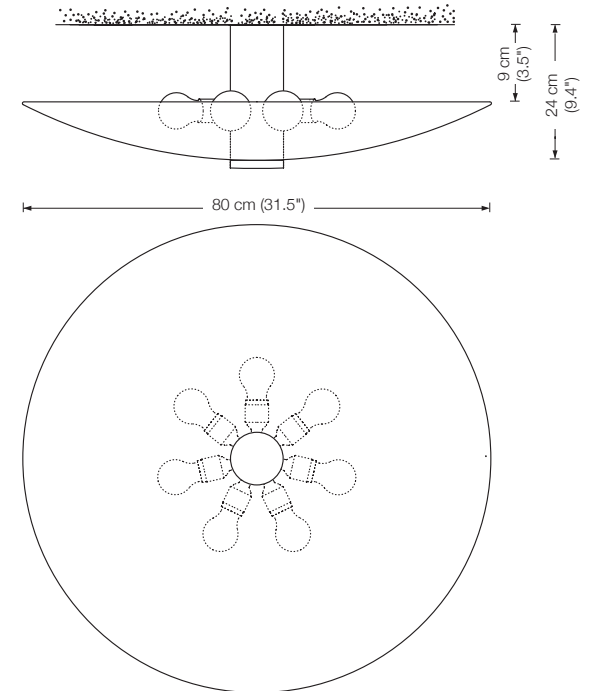
4" junction box: not covered

Backplate Ø 12 cm (4.72")

Additional USA 110 V conversion kit: **available on request**

110 V bulbs not included

special length (distance to ceiling) on request



## GELA 55

ceiling lamp

shade: glass white-opal Ø 55 cm (21.7")

lampholder: 5 x E 26, max. 5 x 100 W

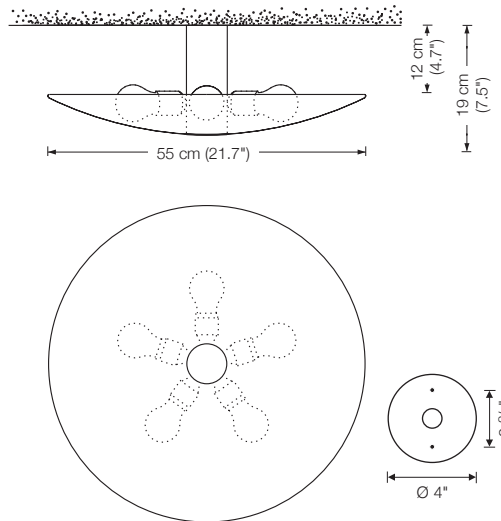
4" junction box: not covered

Backplate Ø 12 cm (4.72")

Additional USA 110 V conversion kit: **available on request**

110 V bulbs not included

special length (distance to ceiling) on request







## SELA 55

ceiling lamp  
indirect lighting

shade: metal Ø 55 cm (21.7")

lampholder: 5 x E 26, max. 5 x 100 W

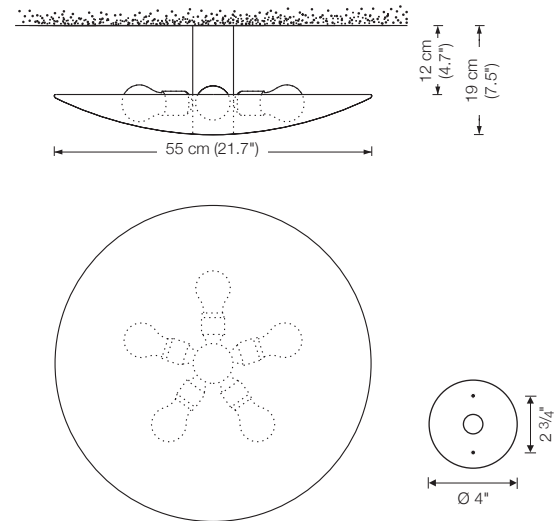
4" junction box: not covered

Backplate Ø 12 cm (4.72")

Additional USA 110 V conversion kit: **available on request**

110 V bulbs not included

special length (distance to ceiling) on request



## OLA 36

ceiling lamp

height: 20 cm (7.9")

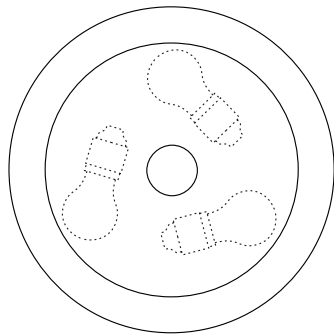
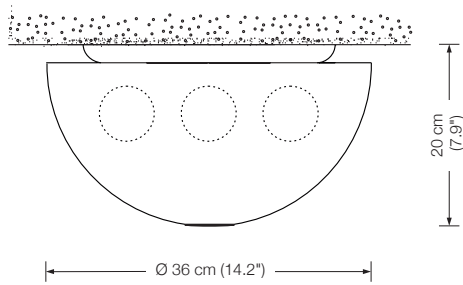
shade: glass white-opal, Ø 36 cm (14.2")

lampholder: 3 x E 26, max. 3 x 100 W

4" junction box: covered

Additional USA 110 V conversion kit: **available on request**

110 V bulbs not included





### POSA 36 P – pendant

Pendant lamp  
shade: glass white-opal, Ø 36 cm (14.2")  
lampholder: E 26, max. 100 W

4" junction box: covered  
Additional USA 110 V conversion kit: **available on request**  
110 V bulbs not included



### POSA 36 M – center pull

Adjustable pendant lamp  
shade: glass white-opal, Ø 36 cm (14.2")  
lampholder: E 26, max. 100 W

4" junction box: covered by US canopy Ø 12 cm (4.7")  
Additional USA 110 V conversion kit: **available on request**  
110 V bulbs not included



### POSA 36 S – side pull

Adjustable pendant lamp  
shade: glass white-opal, Ø 36 cm (14.2")  
lampholder: E 26, max. 100 W

4" junction box: covered by US canopy Ø 12 cm (4.7")  
Additional USA 110 V conversion kit: **available on request**  
110 V bulbs not included



### POSA 36 R – straight pull ceiling mounted

Adjustable pendant lamp

shade: glass white-opal, Ø 36 cm (14.2")

lampholder: E 26, max. 100 W

4" junction box: not necessary

Additional USA 110 V conversion kit: **available on request**

110 V bulbs not included



### POSA 36 D – double pull

Adjustable pendant lamp

shade: glass white-opal, Ø 36 cm (14.2")

lampholder: 2 x E 26, max. 2 x 100 W

4" junction box: covered by US canopy Ø 12 cm (4.7")

Additional USA 110 V conversion kit: **available on request**

110 V bulbs not included

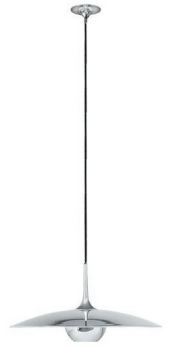




### ONOS 55 P – pendant

Pendant lamp  
 shade: metal Ø 55 cm (21.7")  
 metal light diffuser  
 lampholder: E 26, max. 100 W

4" junction box: covered  
 Additional USA 110 V conversion kit: **available on request**  
 110 V bulbs not included



### ONOS 55 M – center pull

Adjustable pendant lamp  
 shade: metal Ø 55 cm (21.7")  
 metal light diffuser  
 lampholder: E 26, max. 100 W

4" junction box: covered by US canopy Ø 12 cm (4.7")  
 Additional USA 110 V conversion kit: **available on request**  
 110 V bulbs not included



### ONOS 55 S – side pull

Adjustable pendant lamp  
 shade: metal Ø 55 cm (21.7")  
 metal light diffuser  
 lampholder: E 26, max. 100 W

4" junction box: covered by US canopy Ø 12 cm (4.7")  
 Additional USA 110 V conversion kit: **available on request**  
 110 V bulbs not included





### ONOS 55 R – straight pull ceiling mounted

Adjustable pendant lamp

shade: metal Ø 55 cm (21.7")  
metal light diffuser

lampholder: E 26, max. 100 W

4" junction box: not necessary

Additional USA 110 V conversion kit: **available on request**

110 V bulbs not included



### ONOS 55 D – double pull

Adjustable pendant lamp

shade: metal Ø 55 cm (21.7")  
metal light diffuser

lampholder: 2 x E 26, max. 2 x 100 W

4" junction box: covered by US canopy Ø 12 cm (4.7")

Additional USA 110 V conversion kit: **available on request**

110 V bulbs not included





### ONOS 40 P – pendant

Pendant lamp  
shade: metal Ø 40 cm (15.7")  
metal light diffuser  
lampholder: E 26, max. 100 W

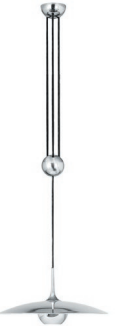
4" junction box: covered  
Additional USA 110 V conversion kit: **available on request**  
110 V bulbs not included



### ONOS 40 M – center pull

Adjustable pendant lamp  
shade: metal Ø 40 cm (15.7")  
metal light diffuser  
lampholder: E 26, max. 100 W

4" junction box: covered by US canopy Ø 12 cm (4.7")  
Additional USA 110 V conversion kit: **available on request**  
110 V bulbs not included



### ONOS 40 S – side pull

Adjustable pendant lamp  
shade: metal Ø 40 cm (15.7")  
metal light diffuser  
lampholder: E 26, max. 100 W

4" junction box: covered by US canopy Ø 12 cm (4.7")  
Additional USA 110 V conversion kit: **available on request**  
110 V bulbs not included



### ONOS 40 R – straight pull ceiling mounted

Adjustable pendant lamp

shade: metal Ø 40 cm (15.7")  
metal light diffuser

lampholder: E 26, max. 100 W

4" junction box: not necessary

Additional USA 110 V conversion kit: **available on request**

110 V bulbs not included



### ONOS 40 D – double pull

Adjustable pendant lamp

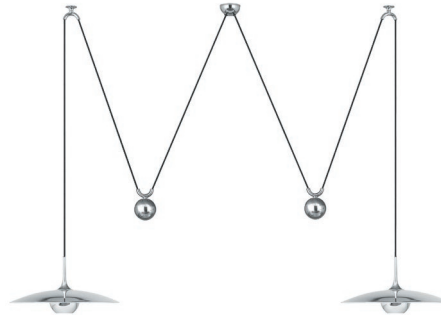
shade: metal Ø 40 cm (15.7")  
metal light diffuser

lampholder: 2 x E 26, max. 2 x 100 W

4" junction box: covered by US canopy Ø 12 cm (4.7")

Additional USA 110 V conversion kit: **available on request**

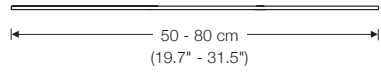
110 V bulbs not included



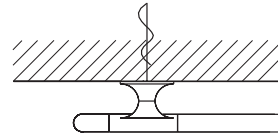
## Ceiling guiding system for pendant lamps DESY

With the elements of this system ceiling guides for pendant lamp groups are combinable.

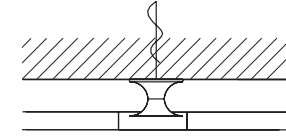
A simple rehanging of the shades allows an illumination even of temporary table combinations (e.g. long table, around the corner etc).



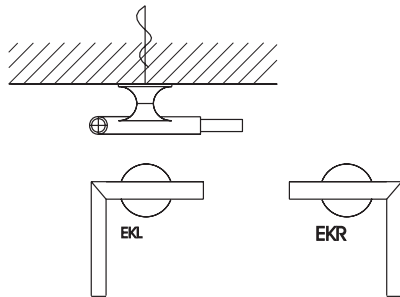
**DESY-ST**  
rod max. 80 cm (31.5")



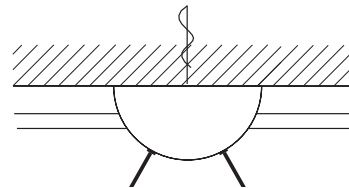
**DESY-E**  
end piece



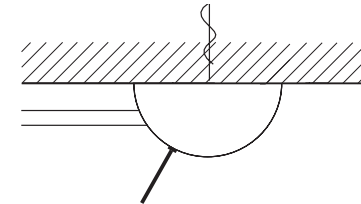
**DESY-M**  
center piece



**DESY-Ekl** corner piece left side (standard)  
**DESY-Ekr** corner piece right side

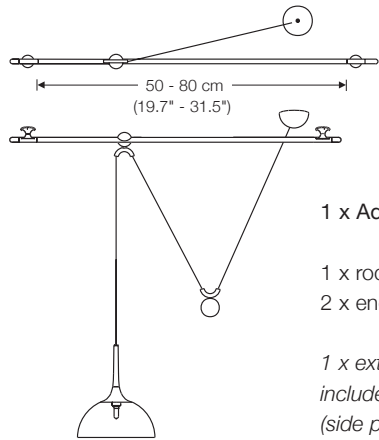


**DESY-D**  
canopy for center cable outlet



**DESY-S**  
canopy for end cable outlet

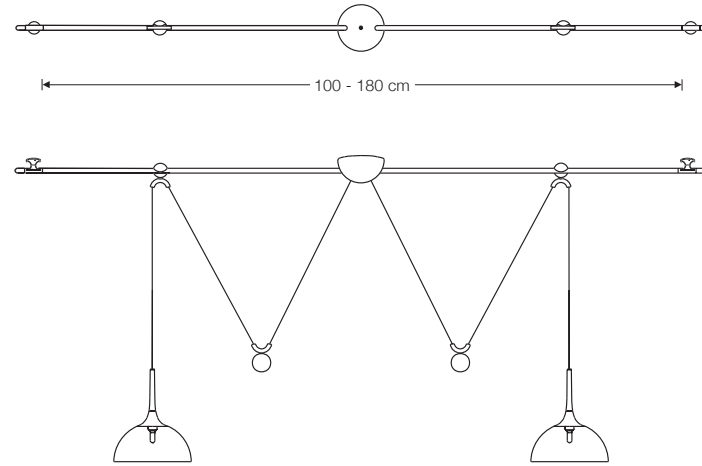
# DESY Example



1 x Adjustable pendant lamp – S (side pull)

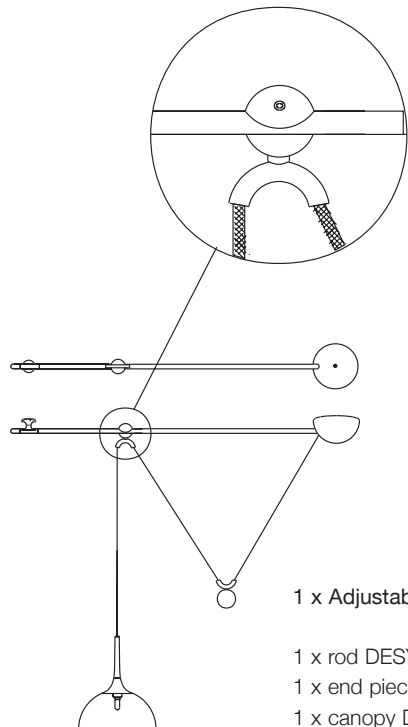
1 x rod DESY-ST  
2 x end pieces DESY-E

1 x external canopy  
included in Adjustable pendant lamp – S  
(side pull).



1 x Adjustable pendant lamp – D  
(double pull)

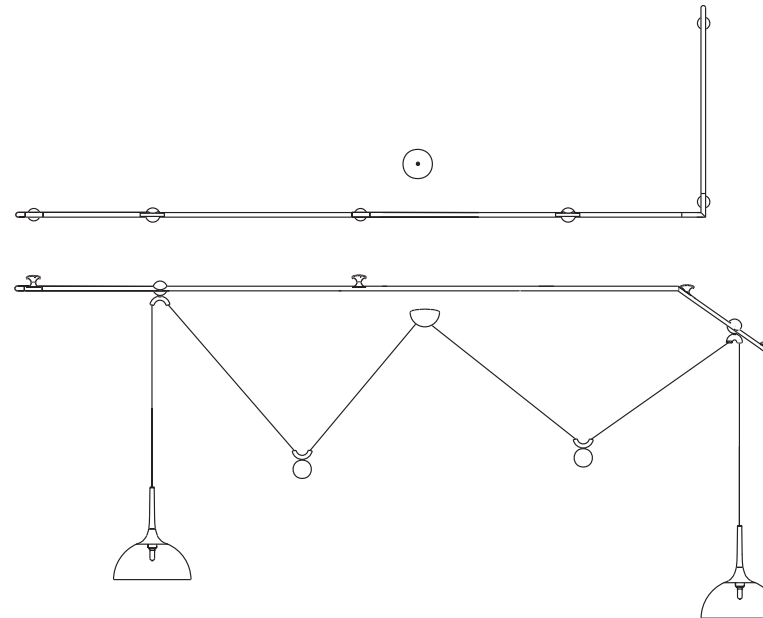
2 x rods DESY-ST  
2 x end pieces DESY-E  
1 x canopy DESY-D



This upper  
cable guide is a  
lockable hook.

1 x Adjustable pendant lamp – S (side pull)

1 x rod DESY-ST  
1 x end piece DESY-E  
1 x canopy DESY-S



1 x Adjustable pendant lamp – D  
(double pull)

3 x rods DESY-ST  
2 x end pieces DESY-E  
1 x center piece DESY-M  
1 x corner piece DESY-EK

1 x external canopy  
included in Adjustable pendant lamp – D  
(double pull)



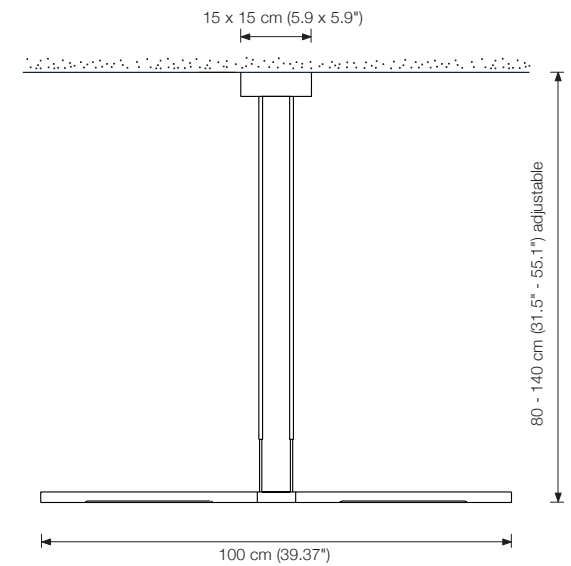
## PEN 100

pendant lamp, height adjustable  
both light elements can be rotated (360°)

length: 100 cm (39.4")  
canopy: 15 x 15 x 5 cm (5.9" x 5.9" x 2.0")  
height: 80 to 140 cm (31.5" to 55.1") adjustable  
illuminant: 2 x LED-Line 150 incl.  
exchangeable  
color temperature: warmwhite 2700 K

4" junction box: covered  
Additional USA 110 V conversion kit: **available on request**

Energy class: A++ to A



## PEN 121

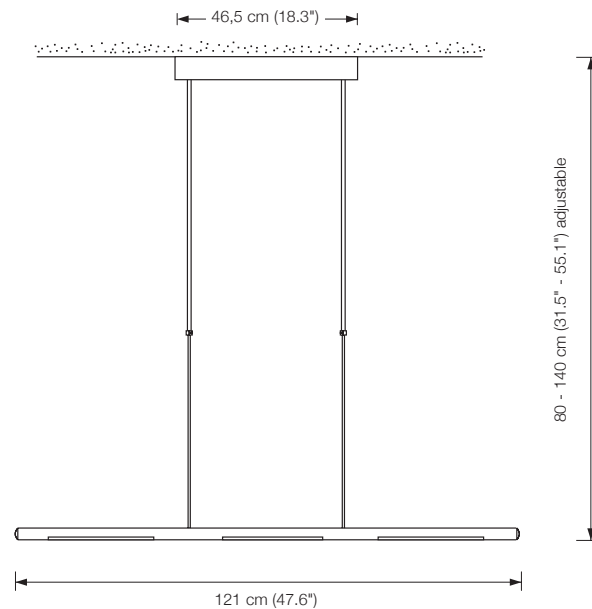
pendant lamp, height adjustable  
outer light elements can be rotated (360°)

length: 121 cm (47.6")  
canopy: 46,5 x 5 x 5 cm (18.3" x 2.0" x 2.0")  
height: 80 to 140 cm (31.5" to 55.1") adjustable  
width: 121 cm (47.6")  
bulb: 3 x LED-Line 150 incl.  
exchangeable  
color temperature: warmwhite 2700 K

4" junction box: not covered

Additional USA 110 V conversion kit: **available on request**  
including a rectangular backplate of  
51 x 12 cm (20.1" x 4.7")

Energy class: A++ to A





## PEN 142

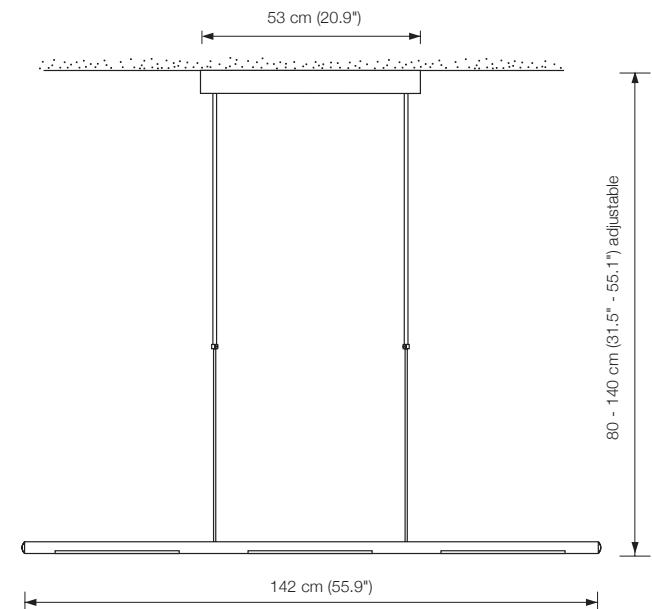
pendant lamp, height adjustable  
all light elements can be rotated (360°)

length: 142 cm (55.9")  
canopy: 53 x 5 x 5 cm (20.9" x 2.0" x 2.0")  
height: 80 to 140 cm (31.5" to 55.1") adjustable  
width: 142 cm (55.9")  
bulb: 3 x LED-Line 150 incl.  
exchangeable  
color temperature: warmwhite 2700 K

4" junction box: not covered

Additional USA 110 V conversion kit: **available on request**  
including a rectangular backplate of  
57,5 x 12 cm (22.6" x 4.7")

Energy class: A++ to A









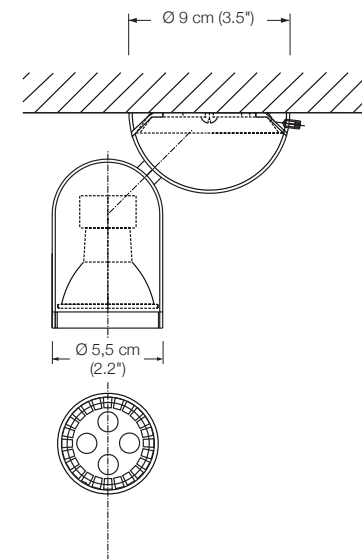
## OY 55

spot  
rotatable 360°  
height of shade: 8,4 cm (3.3")  
Ø shade: 5,5 cm (2.2")  
Ø canopy: 9 cm (3.5")  
lampholder: GU 10  
bulb: LED Spot Retrofit  
exchangeable  
color temperature: warmwhite 2700 Kelvin

Energy class: A++ to A

*Replacement bulbs can be ordered through VS Manufaktur.*

This model is not available for 110 Volt/USA.



## OYO

spotlight

swivelling to all sides

for reflector-lights

Ø wall installation: approx. 12 cm (4.7")

Ø shade: approx. 13 cm (5.1")

lampholder: G53

bulb: LED Spot (8,5 W  $\hat{=}$  50 W), 24 ° incl.\*

dimmmable

exchangeable

color temperature: warmwhite 2700 K

\* optional:

LED Spot ( 8,5 W  $\hat{=}$  50 W), 24 ° - 4000 K

LED Spot ( 8,5 W  $\hat{=}$  50 W), 40 ° - 2700 K

LED Spot (15,5 W  $\hat{=}$  75 W), 24 ° - 2700 K

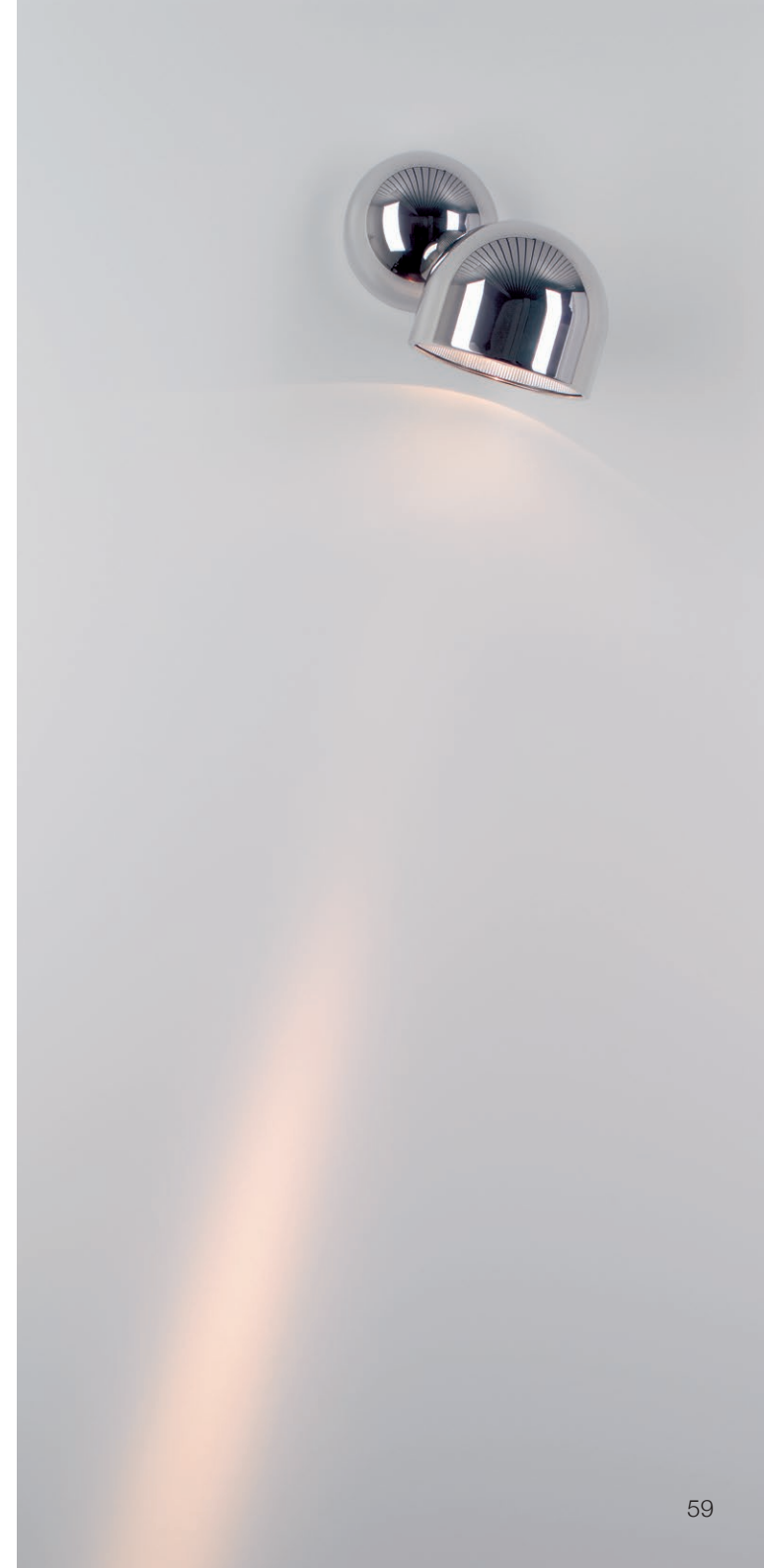
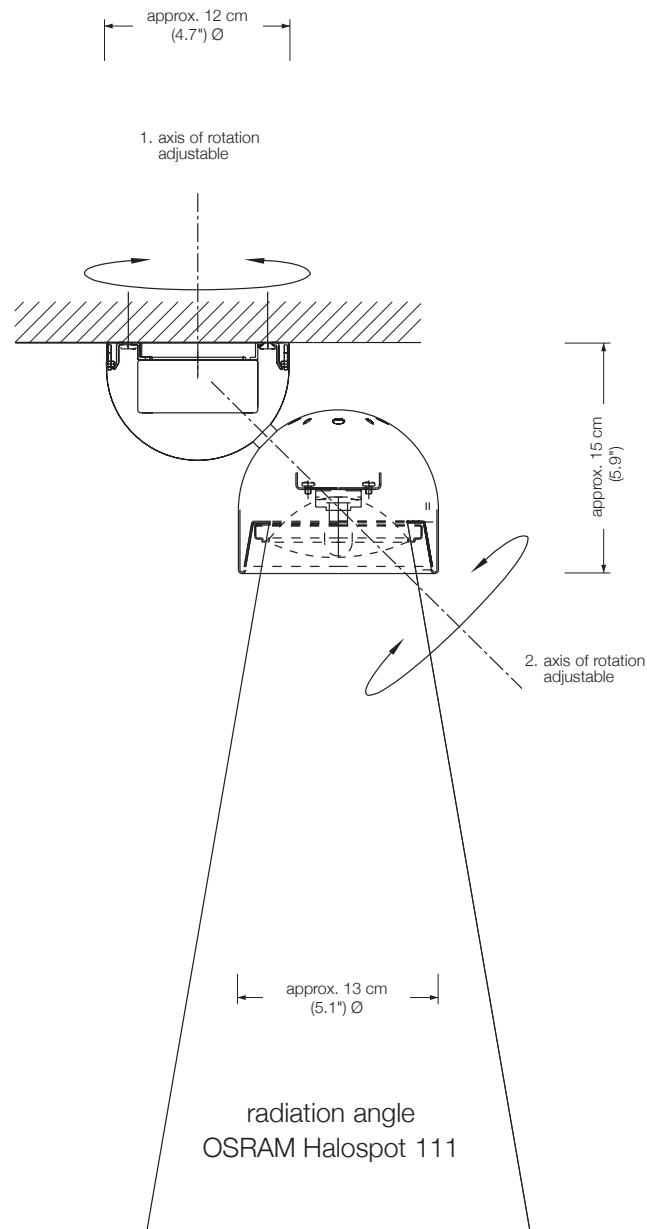
LED Spot (15,5 W  $\hat{=}$  75 W), 24 ° - 4000 K

LED Spot (15,5 W  $\hat{=}$  75 W), 40 ° - 2700 K

Please indicate with order.

4" junction box: covered

Additional USA 110 V conversion kit: **available on request**





VS Manufaktur  
schwieberdinger str. 123  
D 71636 Ludwigsburg

tel +49 71 41/46 40 01  
fax +49 71 41/46 02 03

[www.vs-manufaktur.de](http://www.vs-manufaktur.de)  
[info@vs-manufaktur.de](mailto:info@vs-manufaktur.de)

All rights reserved.  
Specifications and design subject to change without notice.